

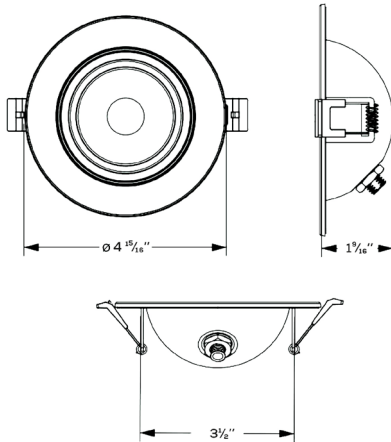
TITANIUM

TECHNOLOGY

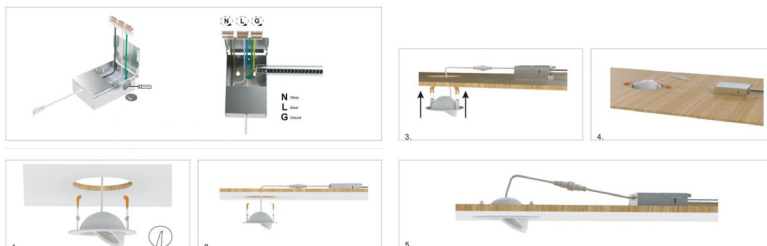
TT-P120S



- Slim recessed.
- Ideal for suspended ceilings and places with limited clearance.
- Adjustable beam.
- 360° rotation module and 90° tilt



| | | | |
|-----------------------|--|---|--|
| Voltage | 120vAC | | |
| Power | 7W | 9W | 12W |
| Amperage | 0,07A | 0,09A | 0,12A |
| Angle | 40° | | |
| Lumen | 690lm | 850lm | - |
| CRI | 90 | | |
| Size | - | Ø125 mm x 39.5mm Ø 4 ¹⁵ / ₁₆ " x 1 ¹ / ₂ " | - |
| Cut hole | 85mm 3 ¹ / ₂ " | 95mm 3 ³ / ₄ " | 134mm 5 ¹ / ₄ " |
| Finish | WH - White BR - Brush nickel BK - Black | | |
| Dimmable | Yes | | |
| LED Colour | CCT - Blanc 2700K-3000K-3500K- 4000K-5000K | | |
| Operating temperature | -40°C~40°C | | |
| IP | 44 | | |



PRODUCT CODE

| | | | | | | | | |
|----|---|-------|---|-------|---|--------|---|-----------|
| TT | - | MODEL | - | POWER | - | FINISH | - | LED COLOR |
| TT | - | P120S | - | 9W | - | BK | - | CCT |
| TT | - | P120S | - | | - | | - | CCT |