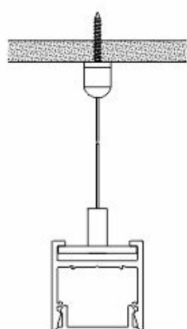
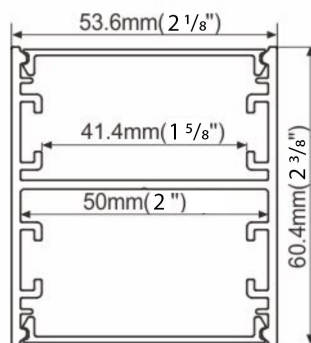
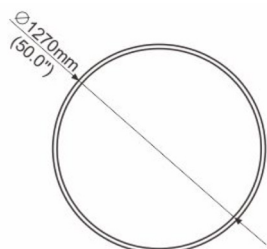
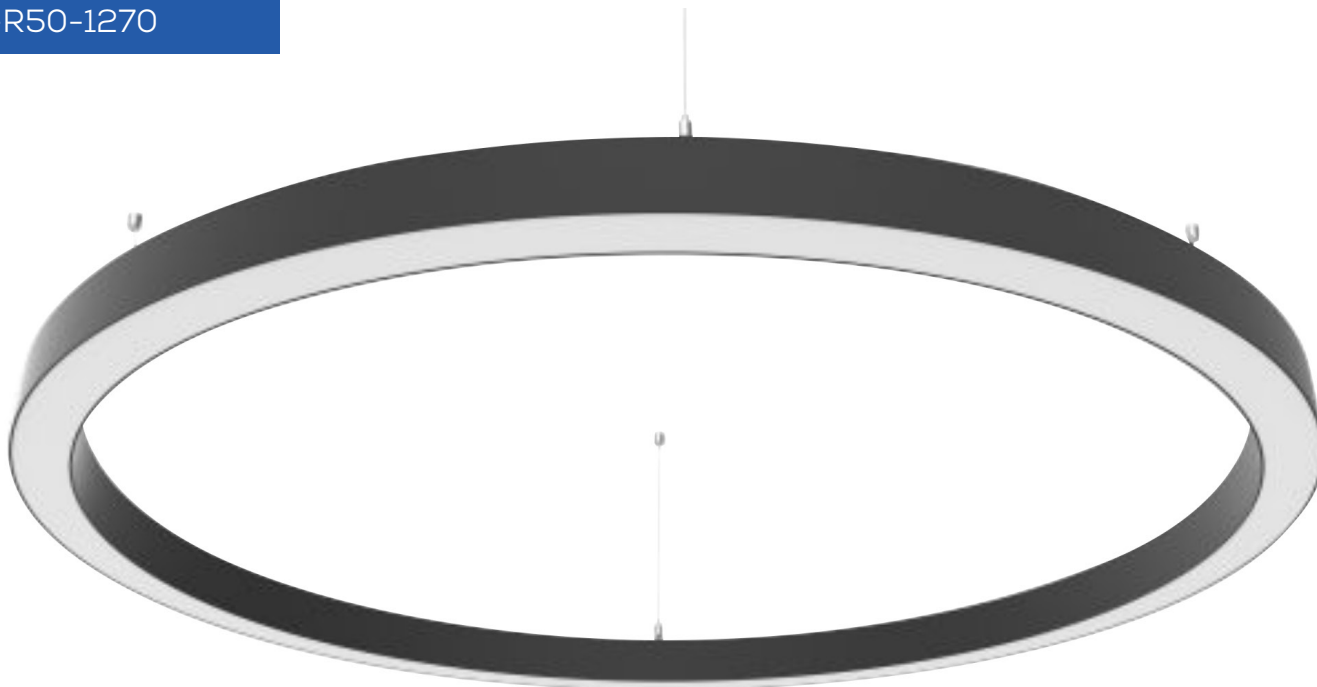


# TITANIUM

TECHNOLOGY

TT-R50-1270



Size	53,6mm x 60,4mm x Ø 1270mm 2 <sup>1</sup> / <sub>8</sub> " x 2 <sup>3</sup> / <sub>8</sub> " x 50"
Diameter	Ø 1270mm 50"
Internal width	41,1mm 1 <sup>5</sup> / <sub>8</sub> "

## Accessories



TT-R50-LED



TT-R50-SUSP



TT-R50-EXT



TT-R50-CLIP