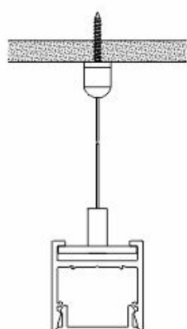
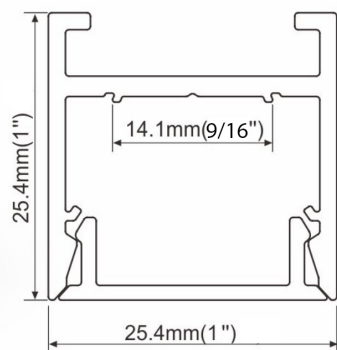
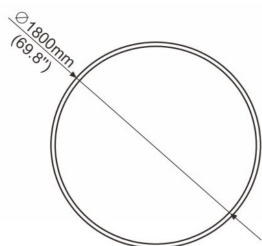
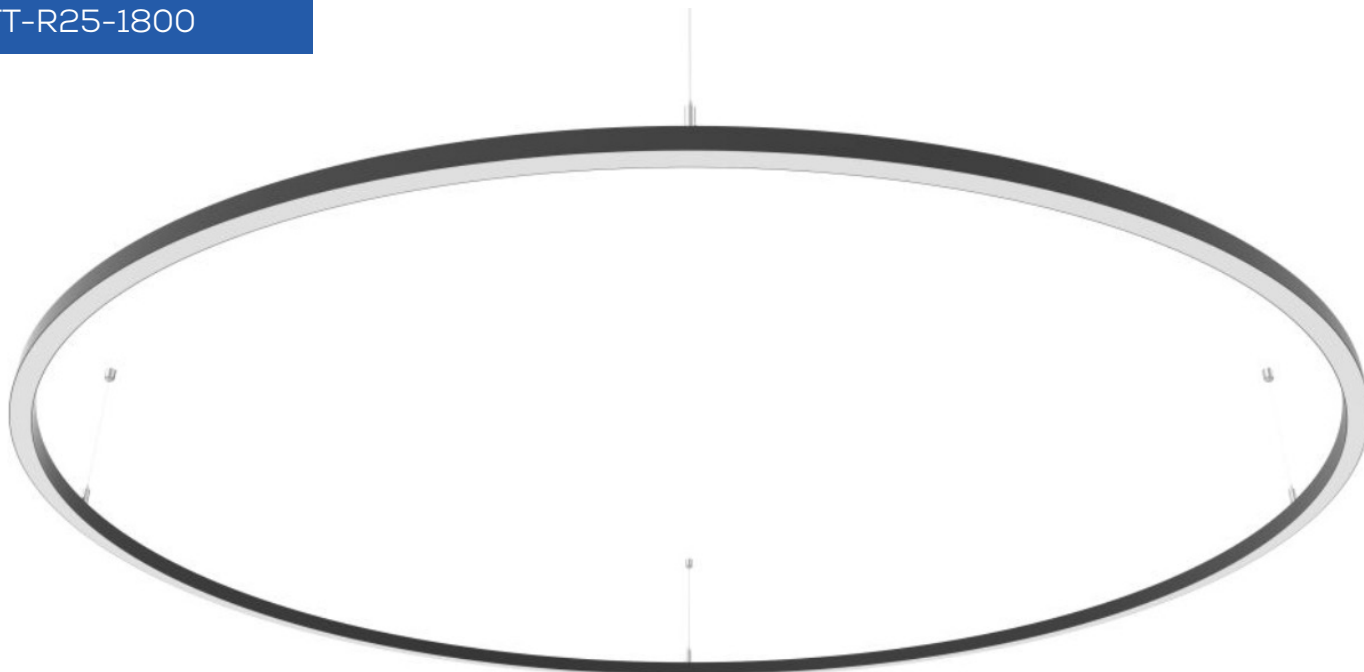


# TITANIUM

TECHNOLOGIE

TT-R25-1800



Dimension	25,4mm x 25,4mm x Ø 1800mm 1" x 1" x 70 <sup>7</sup> / <sub>8</sub> "
Diamètre	Ø 1800mm 70 <sup>7</sup> / <sub>8</sub> "
Largeur interne	14,1mm 9/16"

## Accessoires



TT-R25-LED



TT-R25-SUSP



TT-R25-EXT