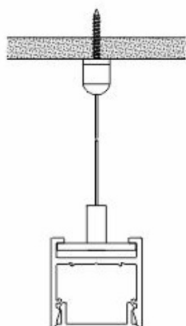
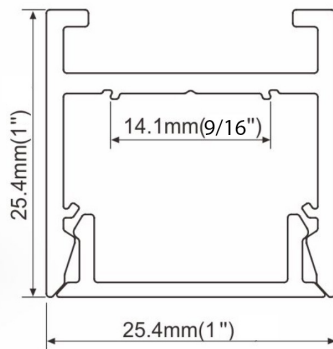
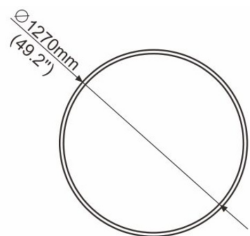
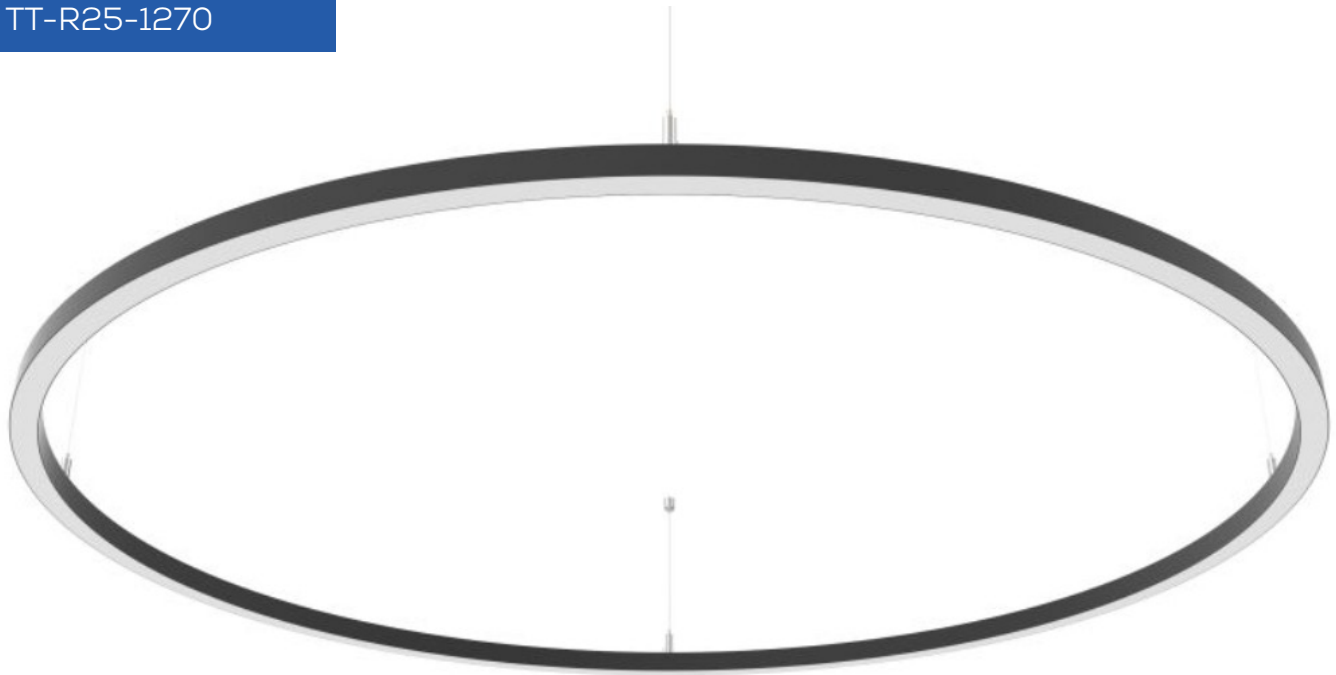


TITANIUM

TECHNOLOGIE

TT-R25-1270



Dimension	25,4mm x 25,4mm x Ø 1270mm 1" x 1" x 50"
Diamètre	Ø 1270mm 50"
Largeur interne	14,1mm 9/16"

Accessoires



TT-R25-LED



TT-R25-SUSP



TT-R25-EXT