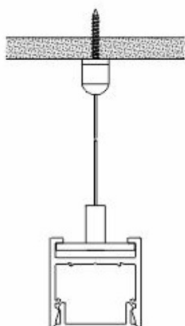
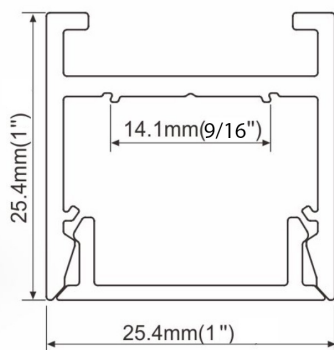
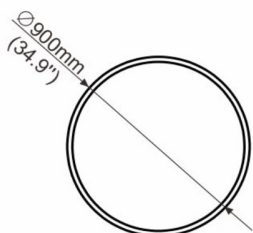
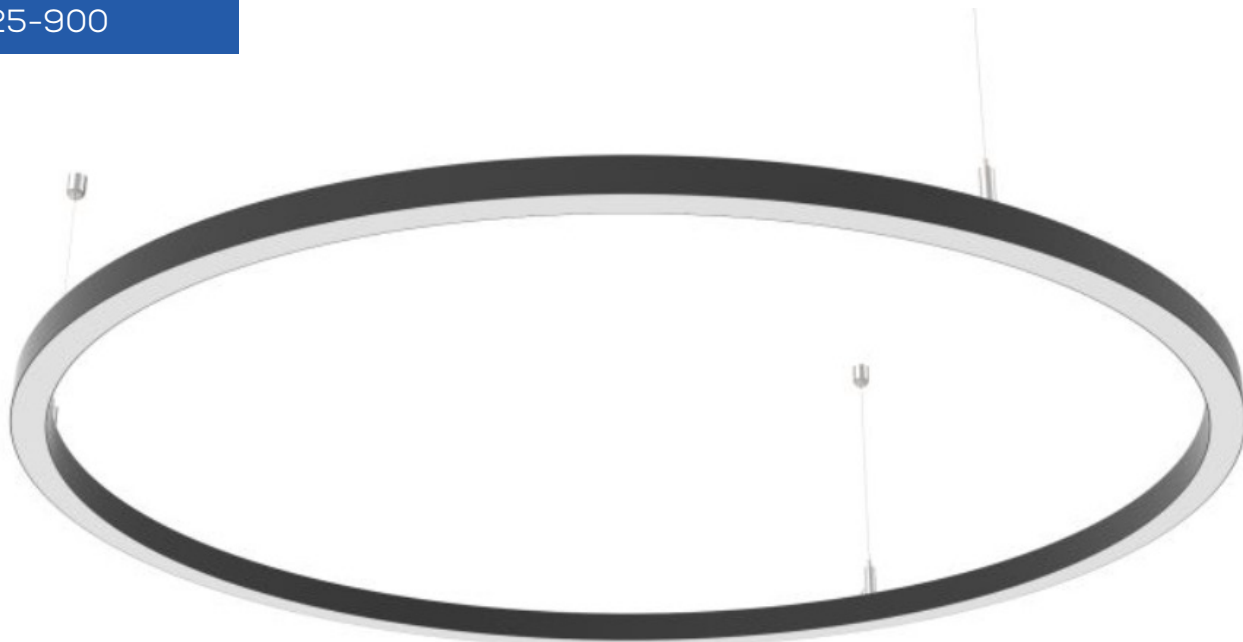


# TITANIUM

TECHNOLOGIE

TT-R25-900



Dimension	25,4mm x 25,4mm x Ø 900mm 1" x 1" x 35 <sup>7</sup> / <sub>16</sub> "
Diamètre	Ø 900mm 35 <sup>7</sup> / <sub>16</sub> "
Largeur interne	14,1mm 9 <sup>9</sup> / <sub>16</sub> "

## Accessoires



TT-R25-LED



TT-R25-SUSP



TT-R25-EXT