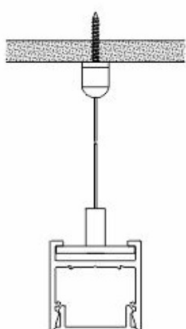
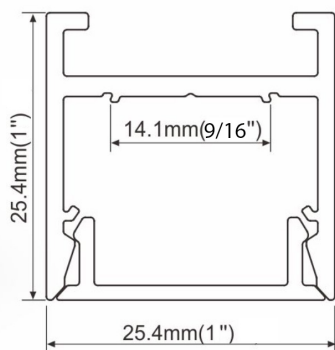
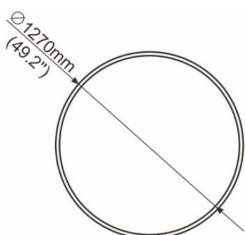
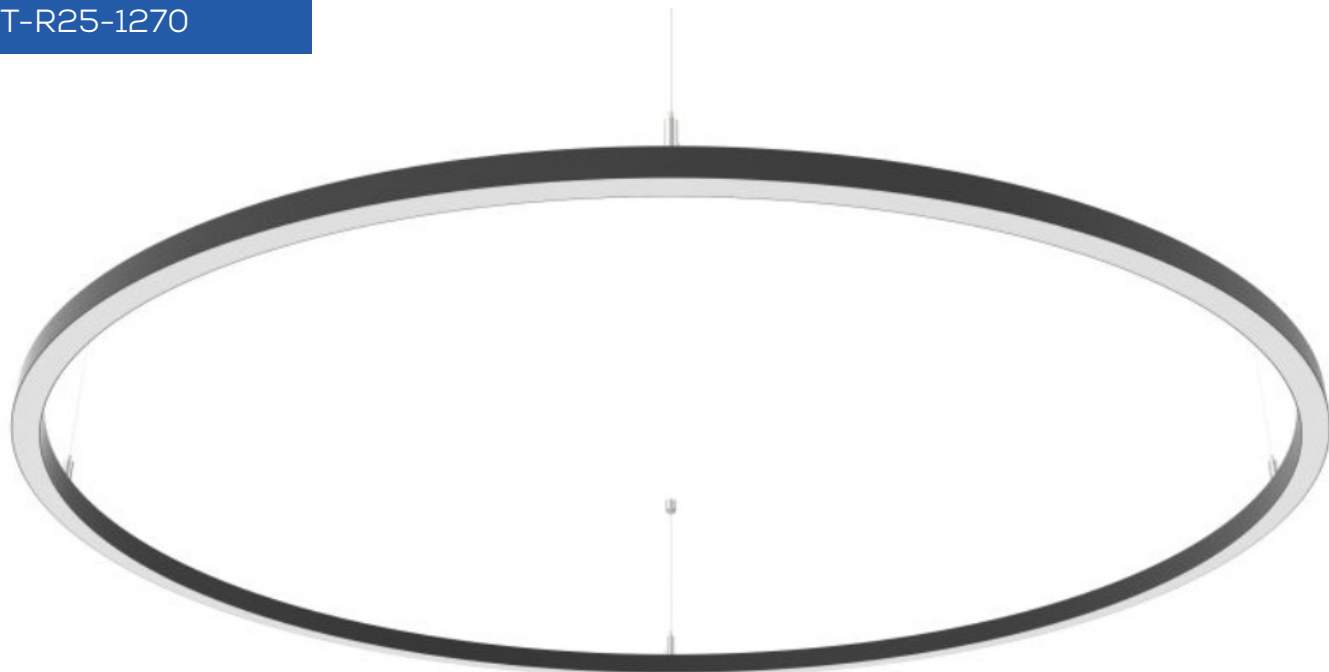


TITANIUM

TECHNOLOGY

TT-R25-1270



Size	25,4mm x 25,4mm x \varnothing 1270mm 1" x 1" x 50"
Diameter	\varnothing 1270mm 50"
Internal width	14,1mm $\frac{9}{16}$ "

Accessories



TT-R25-LED



TT-R25-SUSP



TT-R25-EXT