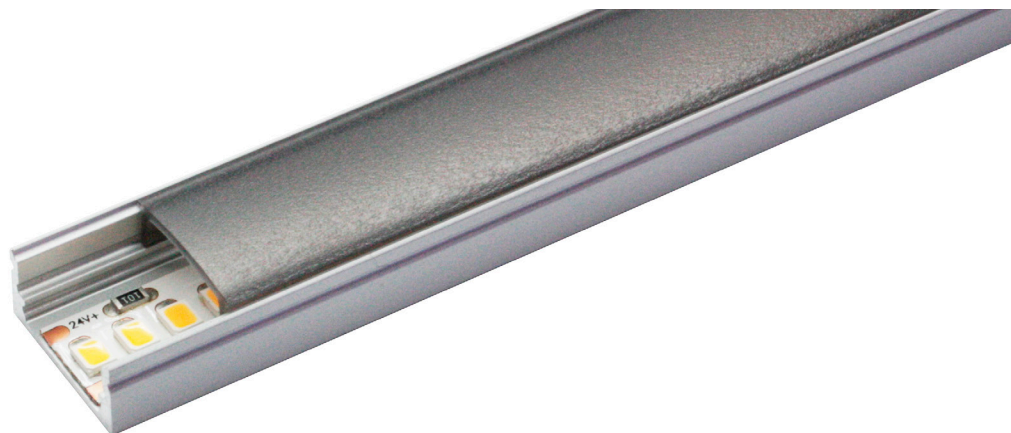


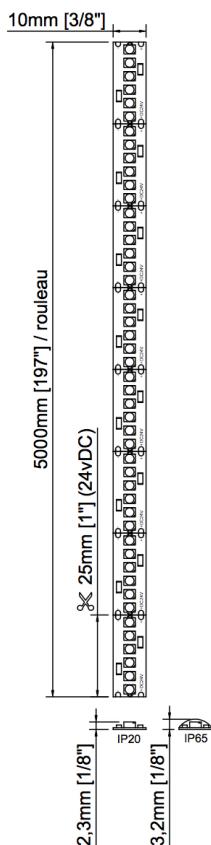
# TITANIUM

TECHNOLOGIE

TT-2835-L1200



- Ruban DEL SMD2835 en rouleau de 5 mètres.



Tension	24vDC	
DEL/m	240 / m	
Puissance	30,4 w / m 9,26 w / pied 152 w / rouleau	
Ampérage	1,27 A / m 0,39 A / pied 6,34 A / rouleau	
Lumens	27K - 448 lm / pied 30K - 456 lm / pied 35K - 452 lm / pied 40K - 422 lm / pied 60K - 384 lm / pied	- 55 lm / w - 64 lm / w 57 lm / w
Angle	120°	
Dimension	IP20	10mm x 2,3mm x 5000mm 3/8" x 1/8" x 1967/8"
	IP65	10mm x 3,2mm x 5000mm 3/8" x 1/8" x 1967/8"
	IP67	13mm x 5mm x 5000mm 1/2" x 3/16" x 1967/8"
Ligne de coupe	25 mm 1"	
Finition	Blanc	
Gradable	Oui	
Couleur DEL	<b>27K</b> - Blanc chaud 2700K <b>30K</b> - Blanc chaud 3000K <b>35K</b> - Blanc neutre 3500K <b>40K</b> - Blanc neutre 4000K <b>60K</b> - Blanc froid 6000K <b>R</b> - Rouge <b>G</b> - Vert <b>B</b> - Bleu <b>A</b> - Ambre	
Temp. fonctionnement	-40°C ~ 70°C	
IP	<b>20, 65, 67</b>	

## CODE PRODUIT

TT	SMD	DEL PAR ROULEAU	IP	COULEUR DEL	TENSION
TT	2835	L1200	20	27K	24V
TT	2835	L1200			24V

# IES Indoor Report

Photometric Filename:TT-2835-L1200-3000K-5-Smoke LENS.IES

## Indoor Luminaire Photometric Data

### Description Information

Luminaire Name: TT-2835-L1200-3000k-5-Smoke-lens	Luminaire Catalog:	Test ID:
Lamp Name: TT-2835-L1200-3000k-5-Smoke-lens	Lamp Catalog: 2835	Test Date: 2021/03/23
Manufacture: TITANIUM TECHNOLOGIE	ShieldingAngle(°):	Test Machine: GON-2000
Test Lab:	Frequency(Hz):	Luminaire CCT(K):
Luminaire Size(W*L*H): 0.120*0.304*0.060	Lighting Area(m2): 0.055	Luminaire Weight(kg): 0.100
Test System: C, $\gamma$	Test Step: C=45.0 $\gamma$ =1.0	Temperature(°C): 25
		Humidity(%):

### Character Parameter

Lamp Speciality Parameter	
Lamp Rated Lumens(lm): 448.000	Lamp Number in Luminaire: 1
Lamp Norminal Power(W):	Lamp Rated Voltage(V):
Lamp Tested Power(W): 8.312	Lamp Tested Voltage(V): 23.7
Lamp Tested Current(A): 0.350	Lamp Tested PF:
Lamp Size(W*L*H): 0.120*0.304*0.060	
Luminaire Speciality	
Luminaire Lumens(lm): 89.742	Beam Angle(10%Imax): 73.6
Luminaire Efficiency: 20.03%	Left=-35.5 Right=38.1
Luminaire EER(lm/W): 10.797	Field Angle(10%Imax): 111.9
Muximum Cand.(cd): 67.922	Spacing Criteria S/MH(C0_180): 0.983
Max Cd. Angle(°): C=135.0 $\gamma$ =4.0	Spacing Criteria S/MH(C90_270): 1.017
Downward Lumens(lm): 89.742	CIE Type: Semi-Direct
Upward Lumens(lm): 0.000	ErP $\phi$ use(90deg): 77.161lm
Downward Total Efficiency%: 100.00	IRF(%): 172.031
Upward Total Efficiency%: 0.00	

# IES Indoor Report

Photometric Filename: TT-2835-L1200-3000K-5-Smoke LENS.IES

## 2D Light Intensity Distribution Curve

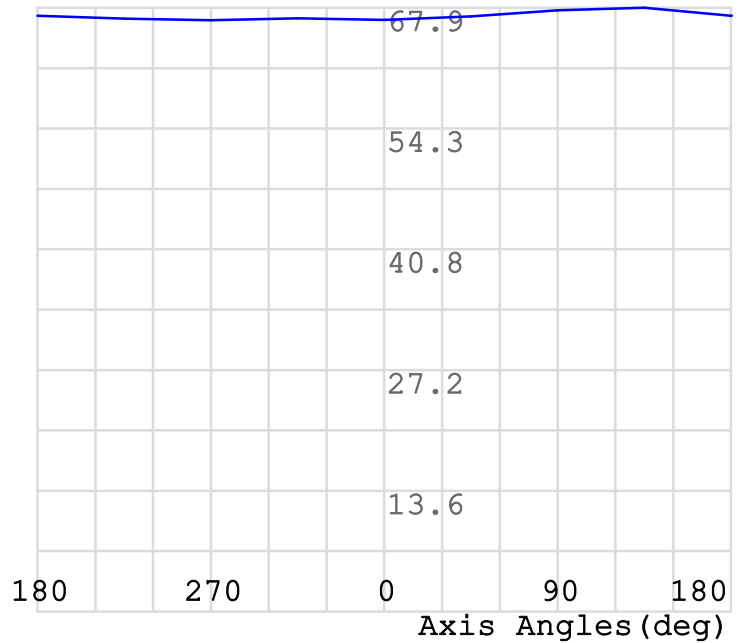
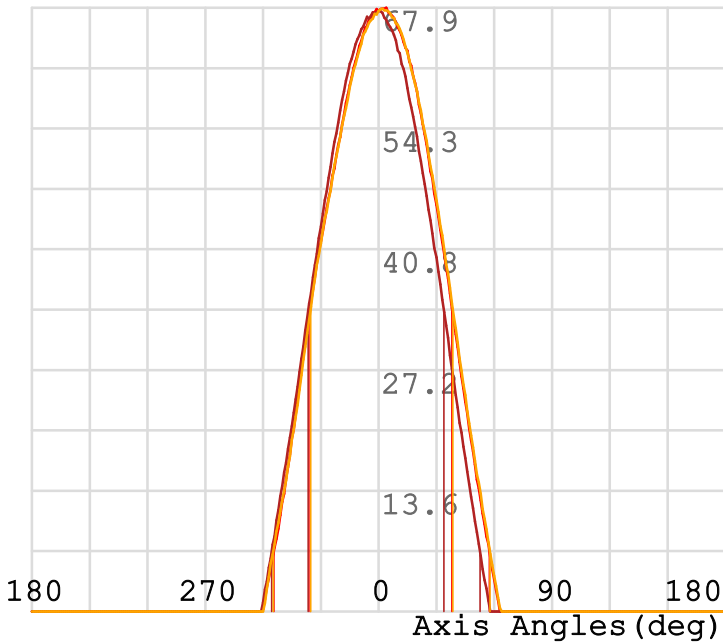
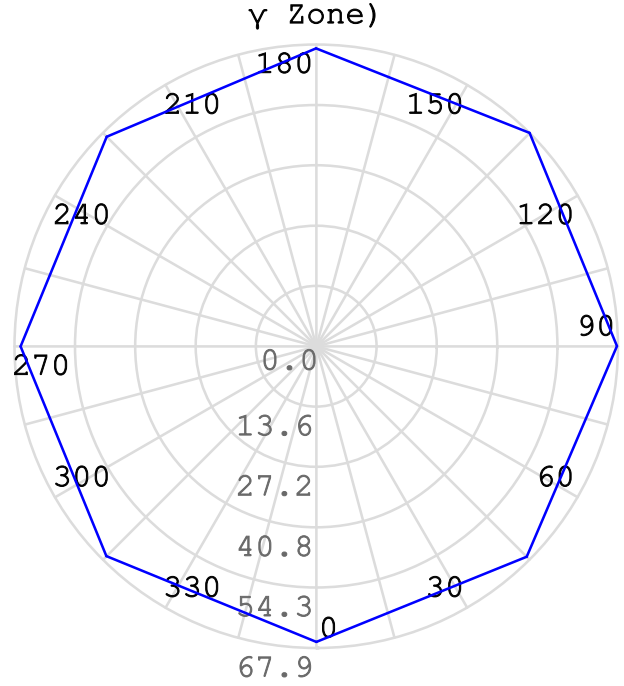
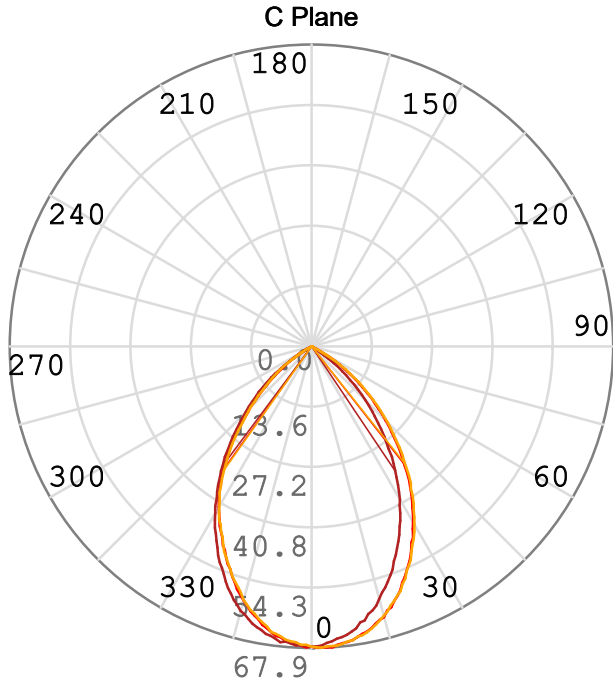
Plane [50%Ang.] [10%Ang.]

C135.0: 73.6 111.9

C0.0: 70.5 108.1

C90.0: 73.8 112.4

Polar Graph



C Plane: C135.0\_315.0 ——— C0.0\_180.0 ———

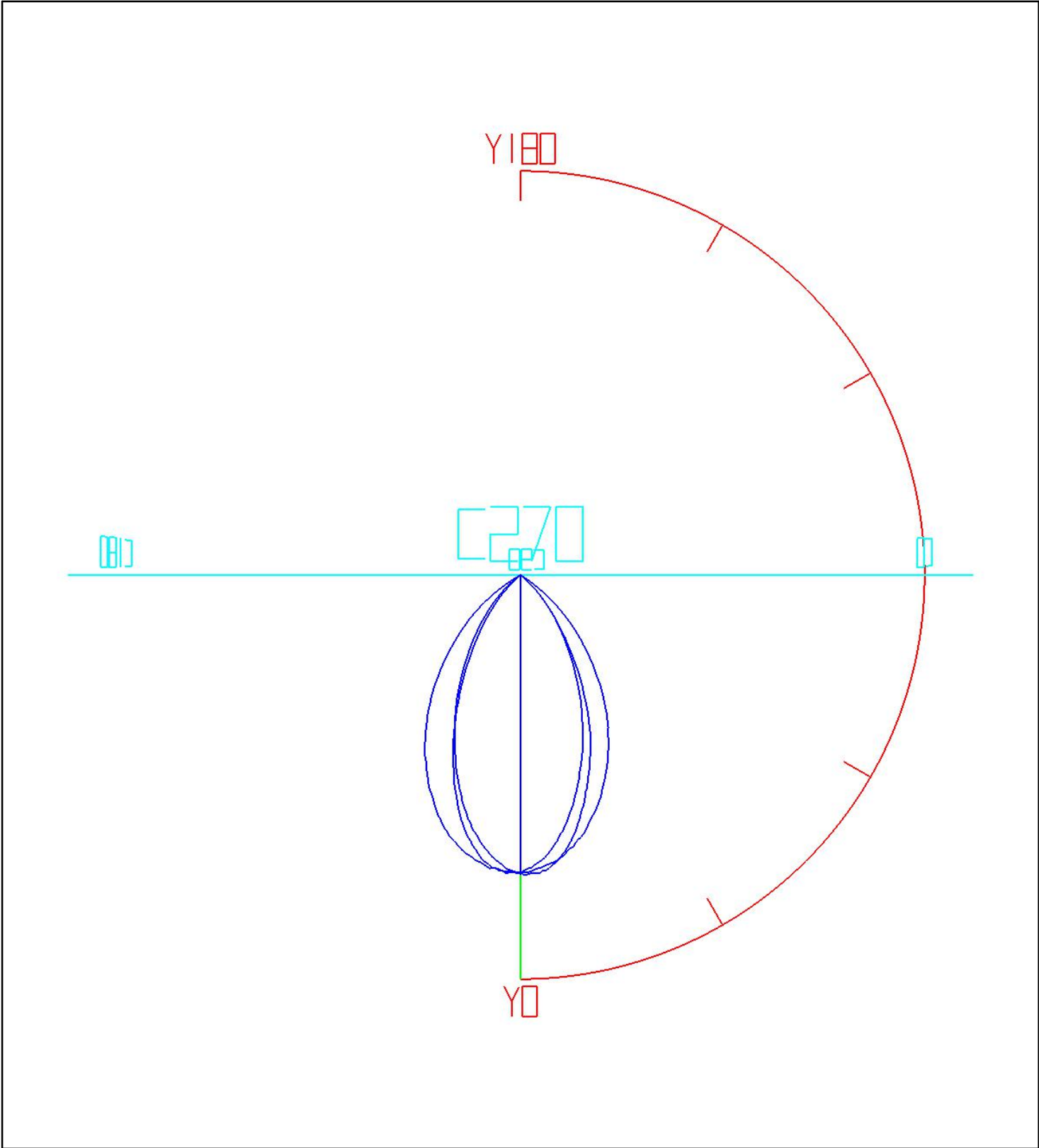
γ Cone: γ4.0 ———

C90.0\_270.0 ———

IES Indoor Report

Photometric Filename:TT-2835-L1200-3000K-5-Smoke LENS.IES

3D Light Intensity Distribution Curve

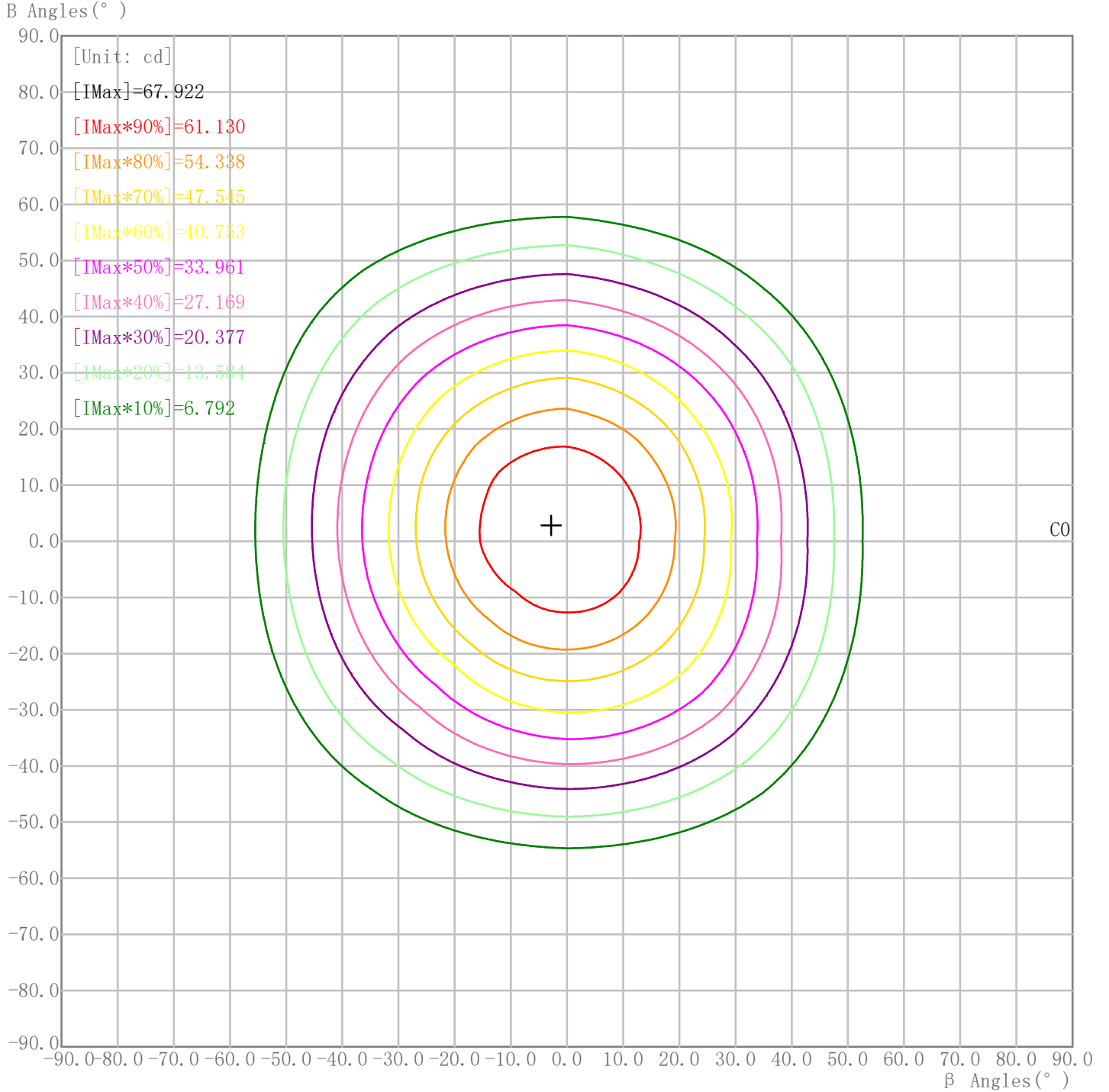


Curves: 3D Model ——— Fixture ——— Vert. HUD ——— Hori. HUD ———  
View Angles: Orient:0 Tilt:0 Roll:0 Spin:0

# IES Indoor Report

Photometric Filename: TT-2835-L1200-3000K-5-Smoke LENS.IES

## Rectangle ISO Light Intensity Curve



Curves: 90% — 80% — 70% — 60% — 50% — 40% — 30% — 20% — 10% —

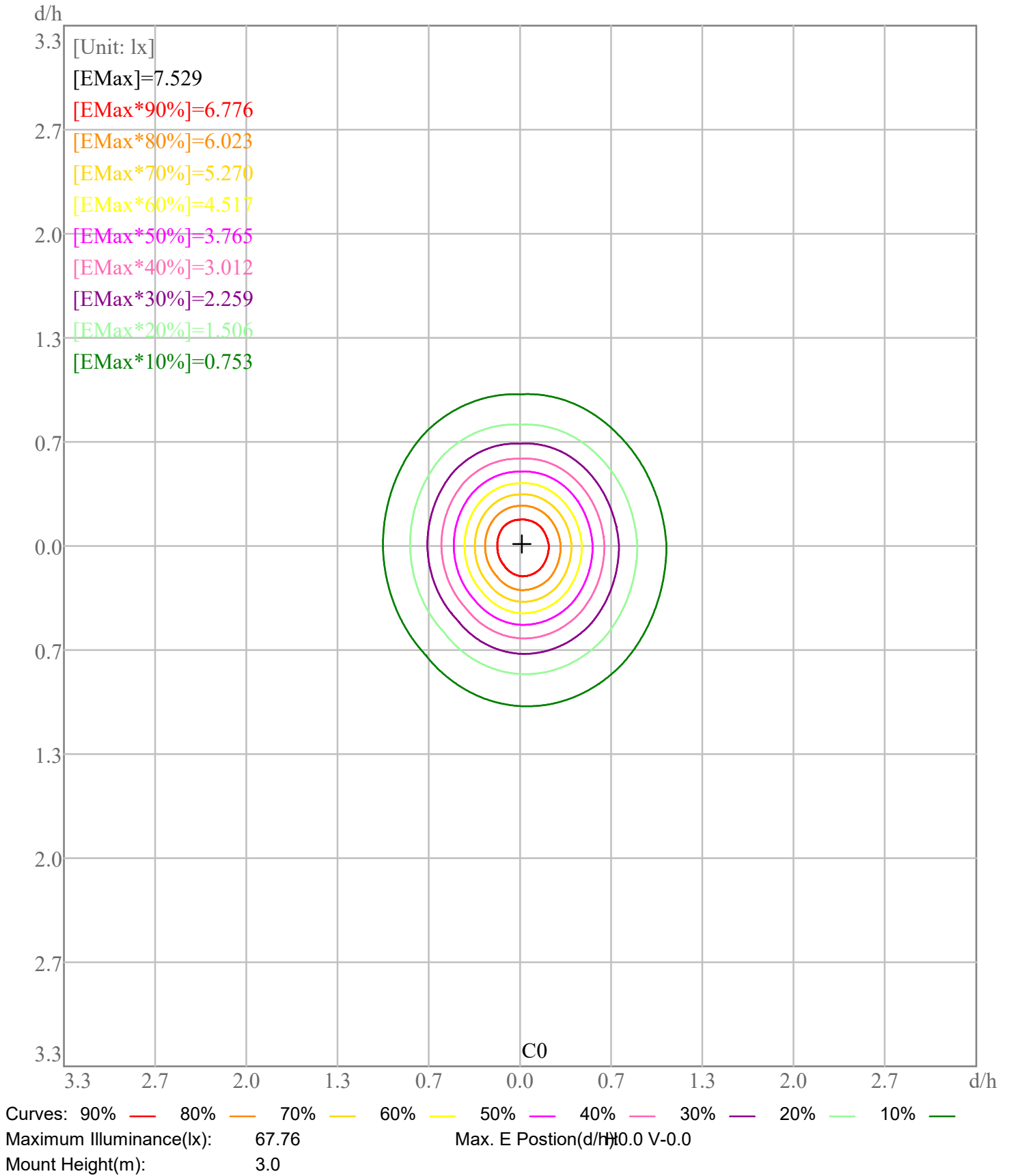
Maximum Light Intensity(cd): 67.92

Maximum Cd. Angles: H-2.8 V2.8

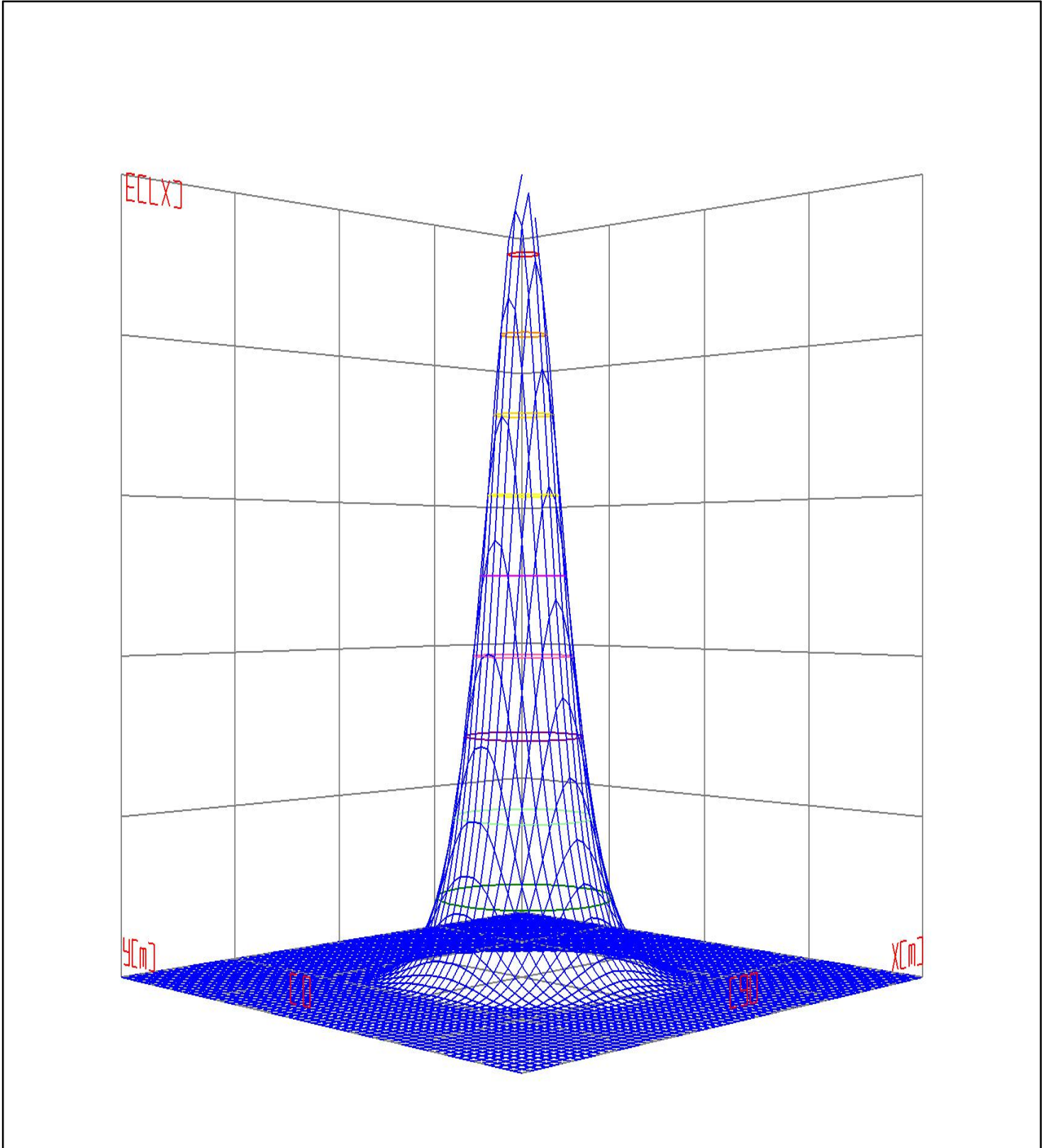
# IES Indoor Report

Photometric Filename: TT-2835-L1200-3000K-5-Smoke LENS.IES

## Plane ISO-Illuminance Curve



3D Plane ISO Illuminance Curve

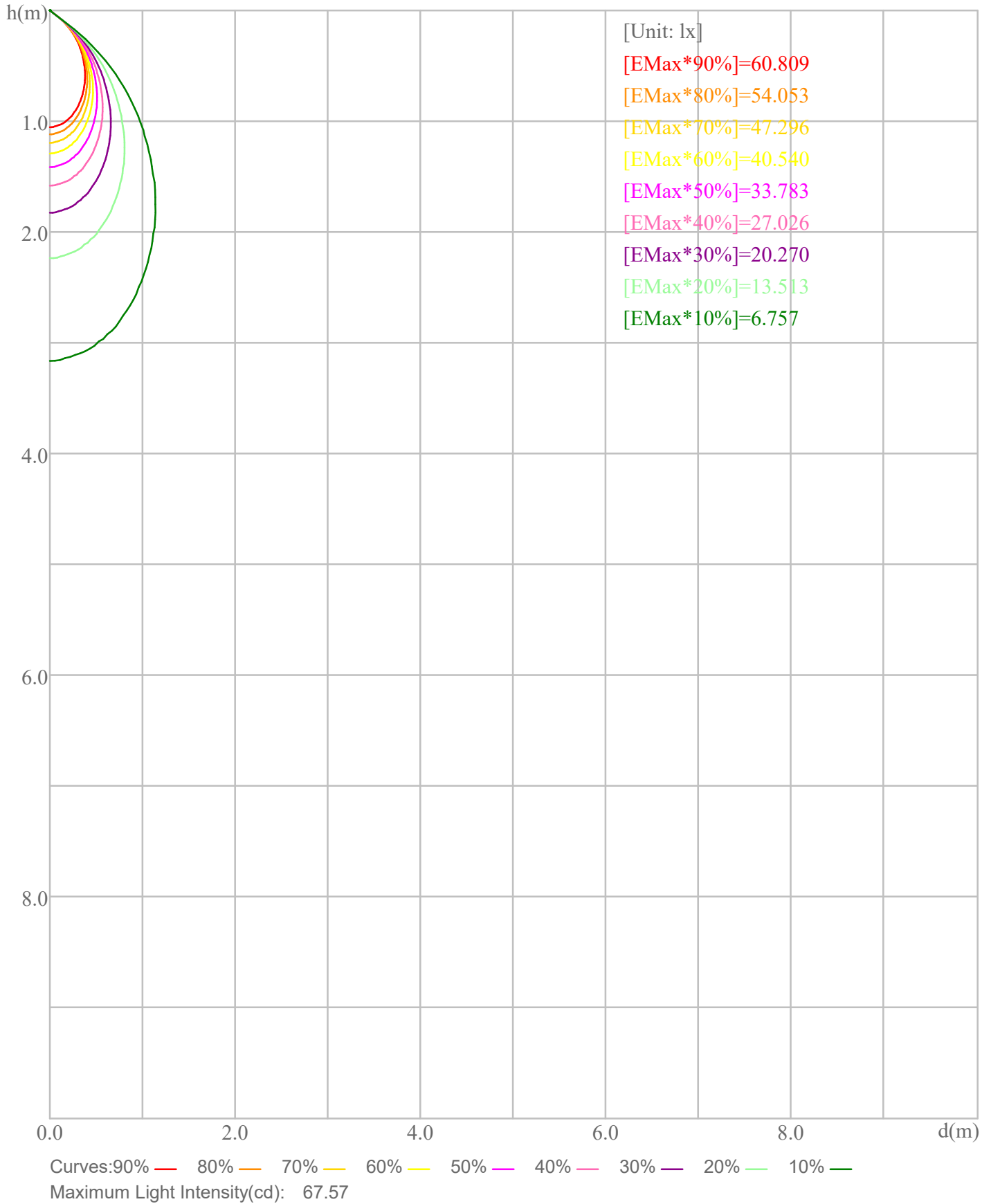


Curves: 3D Model — 90% — 80% — 70% — 60% — 50% — 40% — 30% — 20% — 10%  
View Angles(deg): 0    Height(m): 3.0    Distance(m): 10.0

# IES Indoor Report

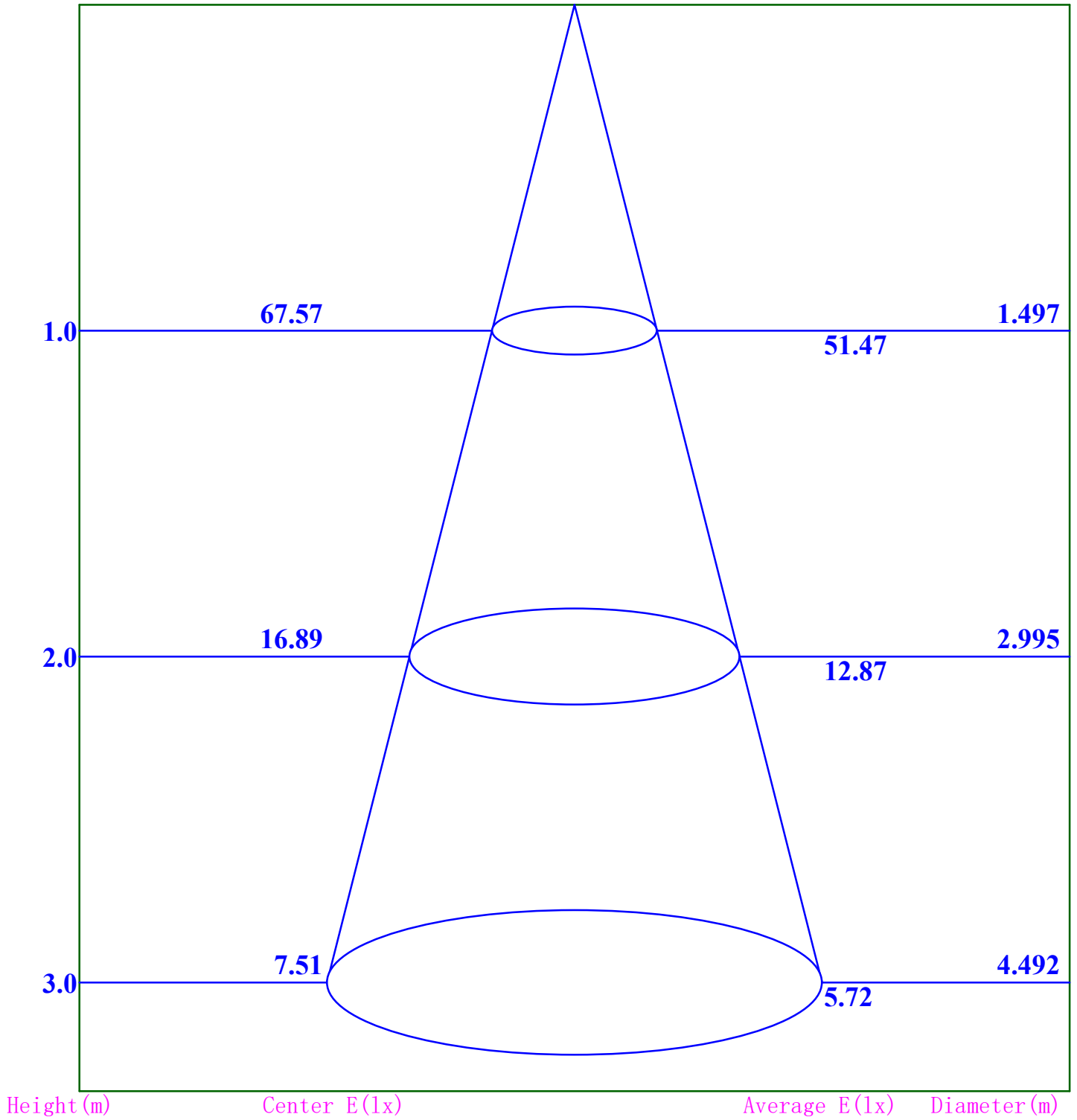
Photometric Filename: TT-2835-L1200-3000K-5-Smoke LENS.IES

## Space ISO Illuminance Curve





Illuminance-Distance Curve



**Beam Angle:73.6**

# IES Indoor Report

Photometric Filename:TT-2835-L1200-3000K-5-Smoke LENS.IES

## Indoor Luminance Limiting Curve

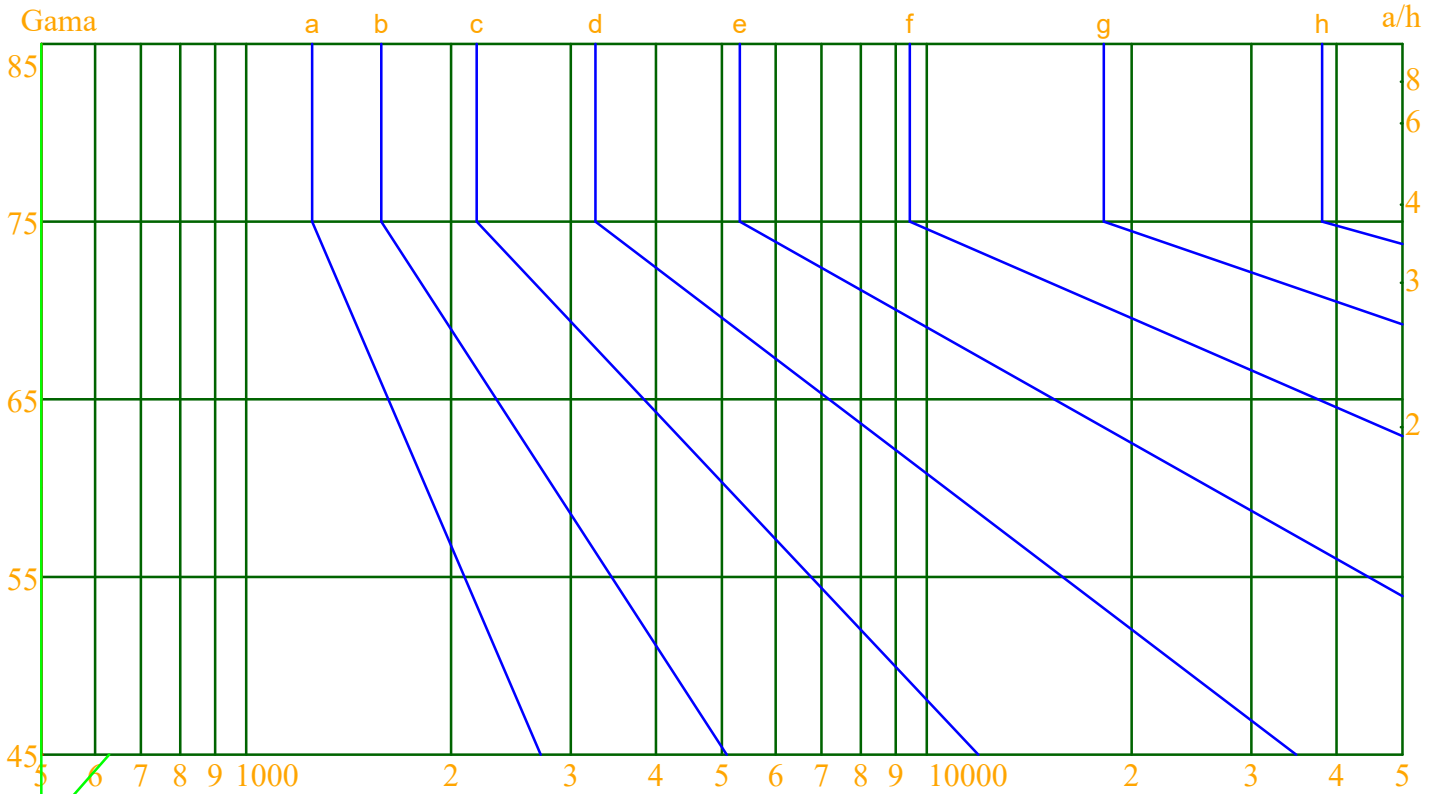
Glare Grade Table

GI	Quality	Using Illuminance							
		a	b	c	d	e	f	g	h
1.15	A	2000	1000	500	<=300				
1.5	B		2000	1000	500	<=300			
1.85	C			2000	1000	500	<=300		
2.2	D				2000	1000	500	<=300	
2.55	E					2000	1000	500	<=300
		a	b	c	d	e	f	g	h

Luminance Table

Gama(deg)	45	50	55	60	65	70	75	80	85
C0	446	289	112	0	0	0	0	0	0
C90	629	482	333	146	0	0	0	0	0

Luminance Limiting Curve

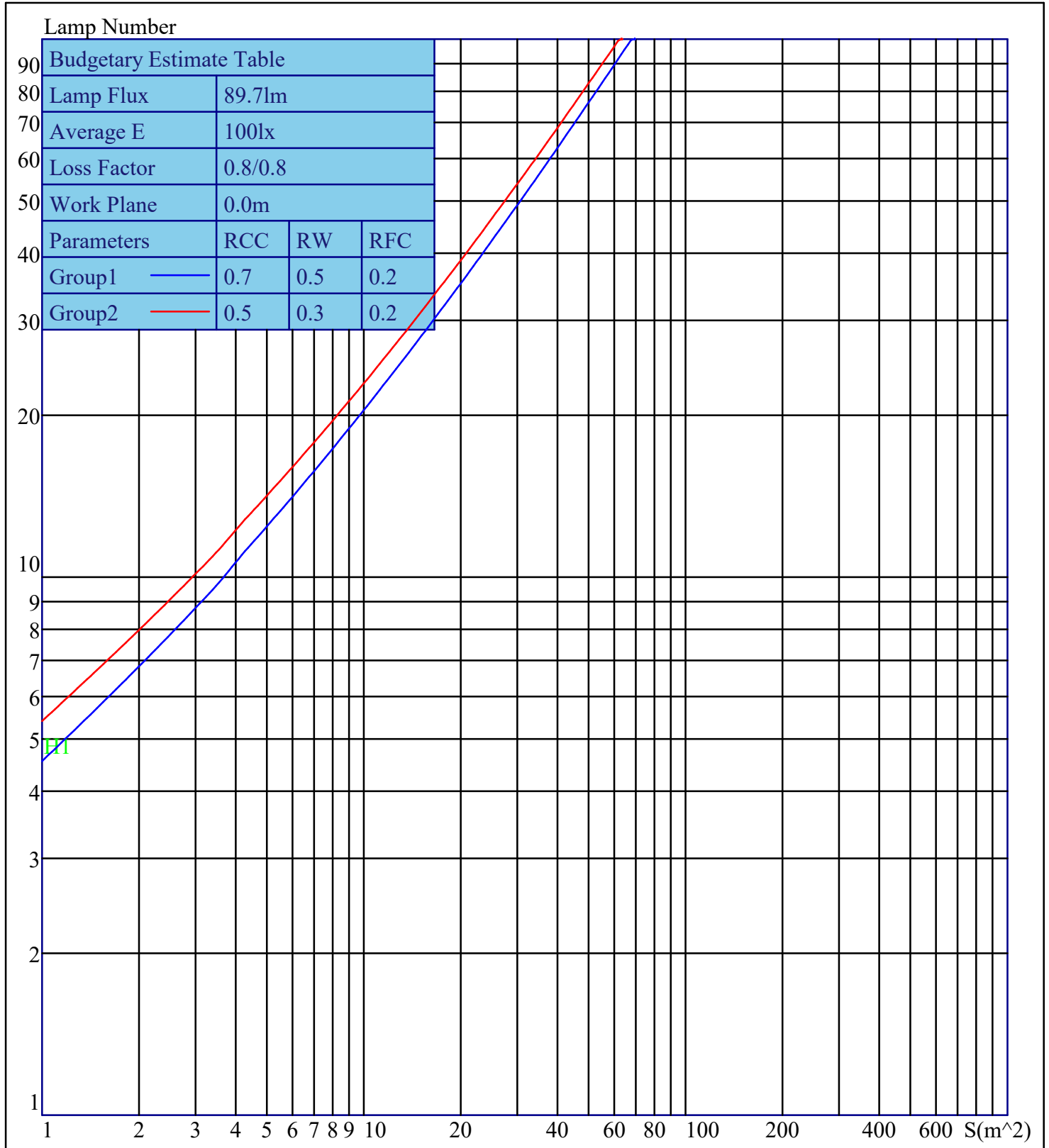


Luminous Size: Length(m)=0.304 Width(m)=0.120 Height(m)=0.060 Area(m<sup>2</sup>)=0.054720  
 Luminous Type: Without Luminous Side  
 Luminous Curves: C0-C180 Color: — C90-C270 Color: —

# IES Indoor Report

Photometric Filename: TT-2835-L1200-3000K-5-Smoke LENS.IES

## Indoor Budgetary Estimate Table



Parameters1: Rhocc = 0.7 Rhow = 0.5 Rhofc = 0.2 LLF = 0.8  
 Parameters2: Rhocc = 0.5 Rhow = 0.3 Rhofc = 0.2 LLF = 0.8  
 Average Illuminance(lx): 100 Cavity Height: H1(m) = 2