

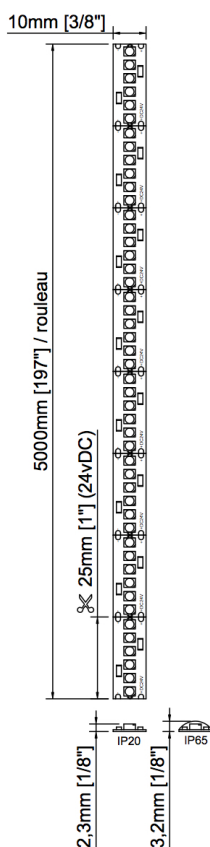
TITANIUM

TECHNOLOGIE

TT-2835-L1200



- Ruban DEL SMD2835 en rouleau de 5 mètres.



Tension	24vDC	
DEL/m	240 / m	
Puissance	30,4 w / m 9,26 w / pied 152 w / rouleau	
Ampérage	1,27 A / m 0,39 A / pied 6,34 A / rouleau	
Lumens	27K - 448 lm / pied 30K - 456 lm / pied 35K - 452 lm / pied 40K - 422 lm / pied 60K - 384 lm / pied	- 55 lm / w - 64 lm / w 57 lm / w
Angle	120°	
Dimension	IP20	10mm x 2,3mm x 5000mm 3/8" x 1/8" x 1967/8"
	IP65	10mm x 3,2mm x 5000mm 3/8" x 1/8" x 1967/8"
	IP67	13mm x 5mm x 5000mm 1/2" x 3/16" x 1967/8"
Ligne de coupe	25 mm 1"	
Finition	Blanc	
Gradable	Oui	
Couleur DEL	27K - Blanc chaud 2700K 30K - Blanc chaud 3000K 35K - Blanc neutre 3500K 40K - Blanc neutre 4000K 60K - Blanc froid 6000K R - Rouge G - Vert B - Bleu A - Ambre	
Temp. fonctionnement	-40°C ~ 70°C	
IP	20, 65, 67	

CODE PRODUIT

TT	SMD	DEL PAR ROULEAU	IP	COULEUR DEL	TENSION
TT	2835	L1200	20	27K	24V
TT	2835	L1200			24V

IES Indoor Report

Photometric Filename:TT-2835-L1200-3000K-2-Frosted LENS.IES

Indoor Luminaire Photometric Data

Description Information

Luminaire Name: TT-2835-L1200-3000k-2-Frosted-lens	Luminaire Catalog:	Test ID:
Lamp Name: TT-2835-L1200-3000k-2-Frosted-lens	Lamp Catalog: 2835	Test Date: 2021/03/23
Manufacture: TITANIUM TECHNOLOGIE	ShieldingAngle(°):	Test Machine: GON-2000
Test Lab:	Frequency(Hz):	Luminaire CCT(K):
Luminaire Size(W*L*H): 0.120*0.304*0.060	Lighting Area(m2): 0.055	Luminaire Weight(kg): 0.100
Test System: C, γ	Test Step: C=45.0 γ =1.0	Temperature(°C): 25
		Humidity(%):

Character Parameter

Lamp Speciality Parameter	
Lamp Rated Lumens(lm): 448.000	Lamp Number in Luminaire: 1
Lamp Norminal Power(W):	Lamp Rated Voltage(V):
Lamp Tested Power(W): 8.317	Lamp Tested Voltage(V): 23.7
Lamp Tested Current(A): 0.350	Lamp Tested PF:
Lamp Size(W*L*H): 0.120*0.304*0.060	
Luminaire Speciality	
Luminaire Lumens(lm): 298.175	Beam Angle(10%Imax): 96.4
Luminaire Efficiency: 66.56%	Left=-46.3 Right=50.1
Luminaire EER(lm/W): 35.851	Field Angle(10%Imax): 142.6
Muximum Cand.(cd): 135.930	Spacing Criteria S/MH(C0_180): 1.155
Max Cd. Angle(°): C=135.0 γ =2.0	Spacing Criteria S/MH(C90_270): 1.176
Downward Lumens(lm): 298.175	CIE Type: Semi-Direct
Upward Lumens(lm): 0.000	ErP ϕ use(120deg): 265.606lm
Downward Total Efficiency%: 100.00	IRF(%): 125.561
Upward Total Efficiency%: 0.00	

IES Indoor Report

Photometric Filename: TT-2835-L1200-3000K-2-Frosted LENS.IES

2D Light Intensity Distribution Curve

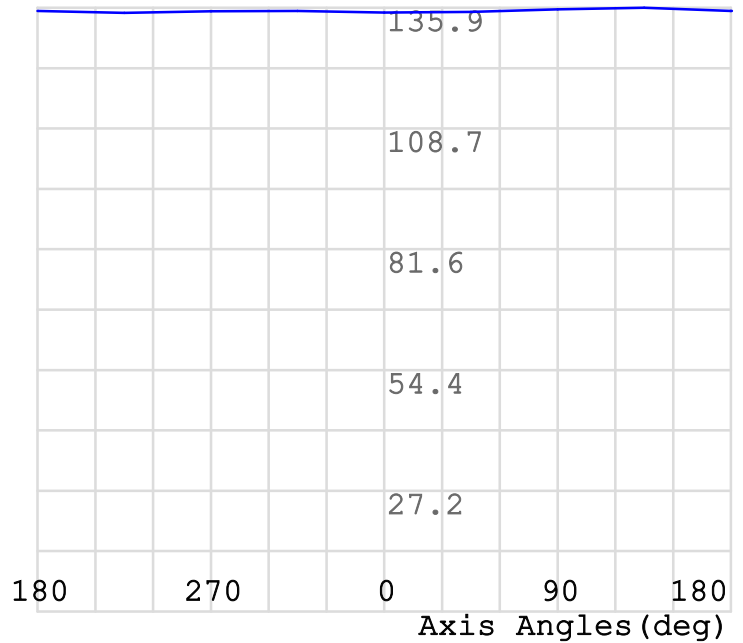
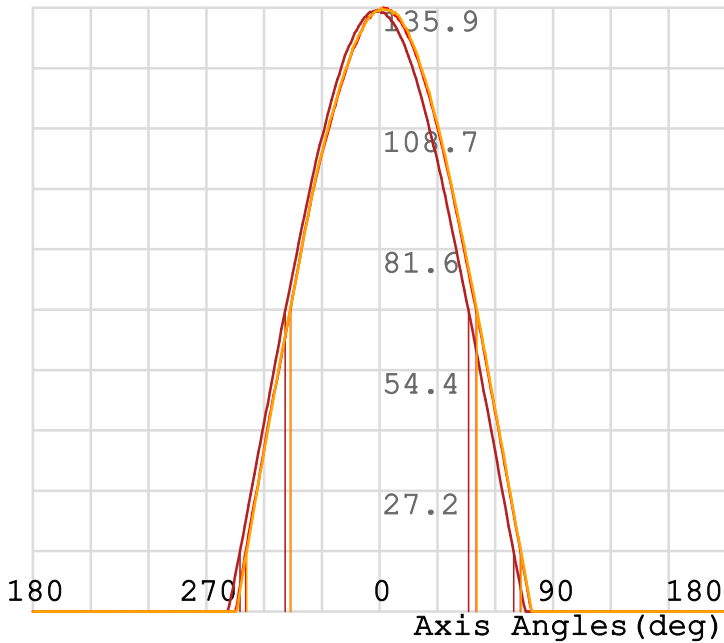
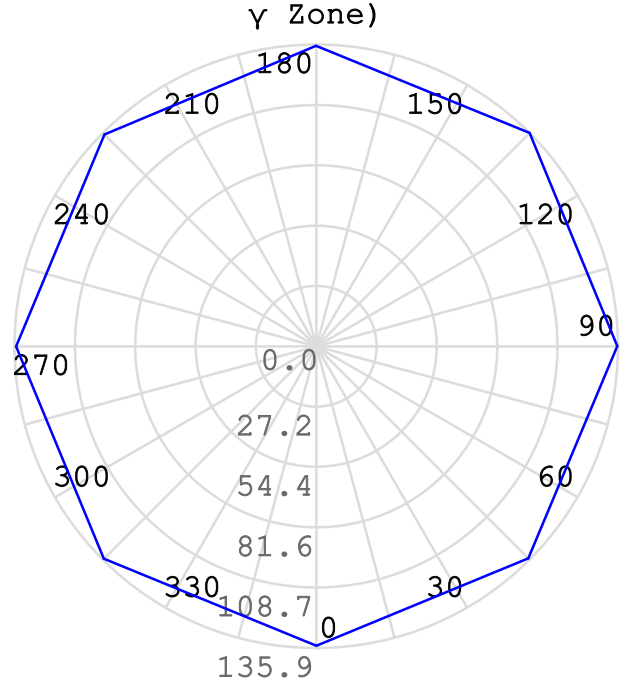
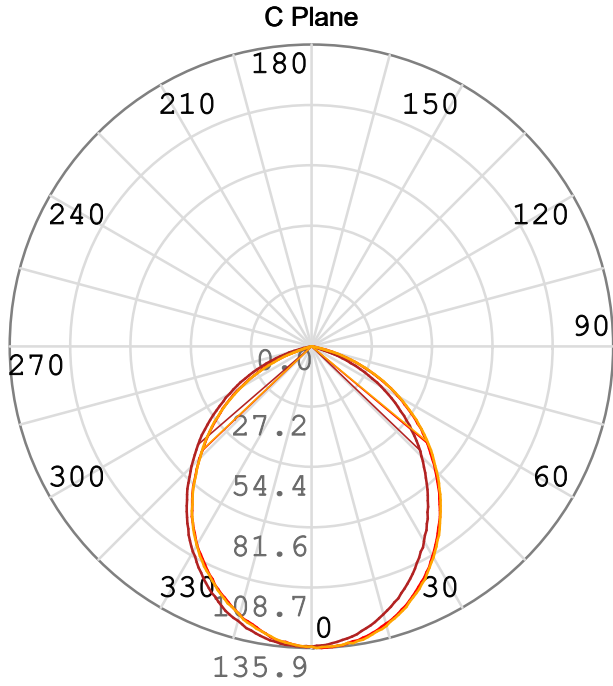
Plane [50%Ang.] [10%Ang.]

C135.0: 96.4 142.6

C0.0: 95.3 142.1

C90.0: 96.9 142.4

Polar Graph



C Plane: C135.0_315.0 — C0.0_180.0 —

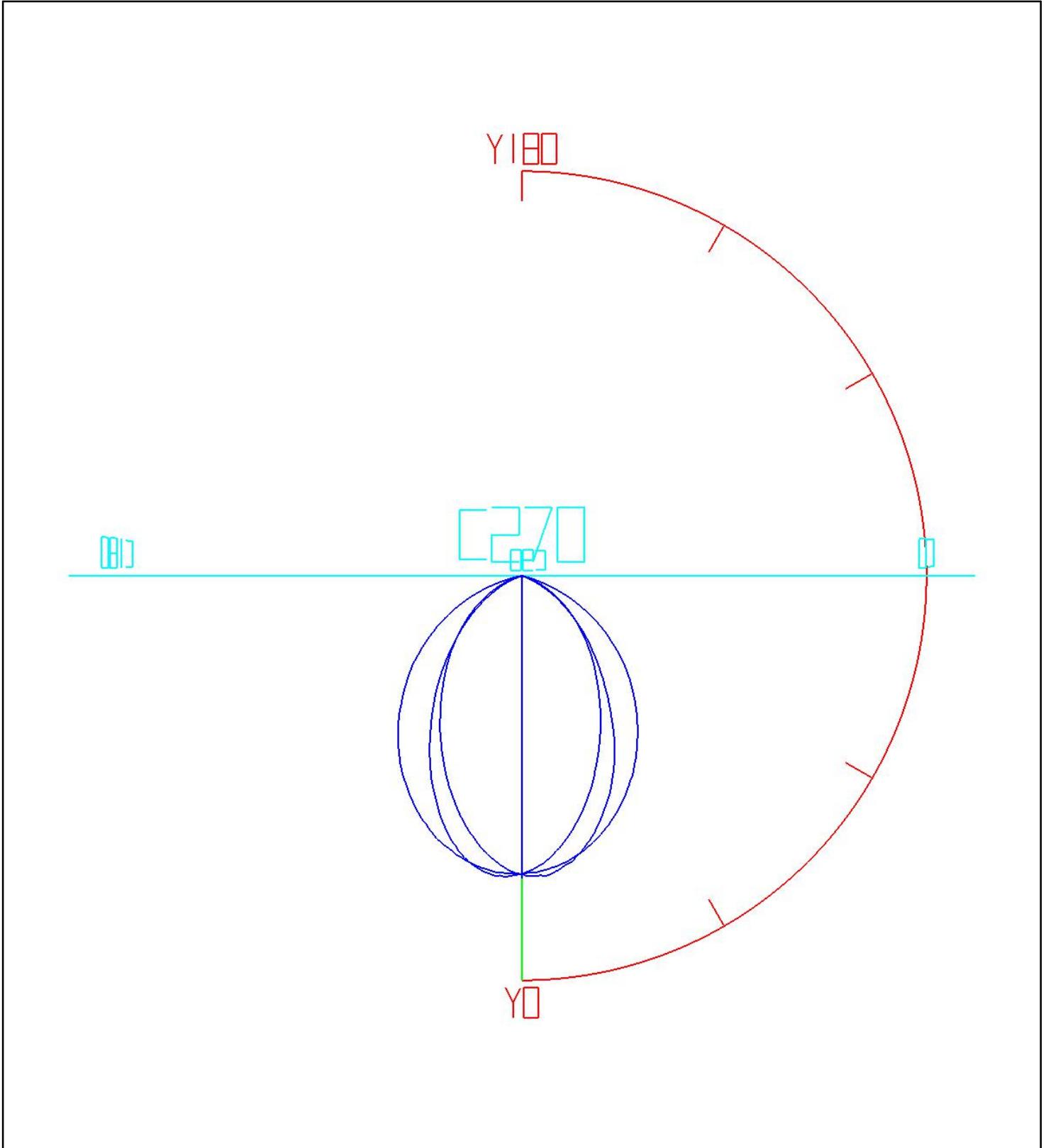
γ Cone: γ2.0 —

C90.0_270.0 —

IES Indoor Report

Photometric Filename: TT-2835-L1200-3000K-2-Frosted LENS.IES

3D Light Intensity Distribution Curve

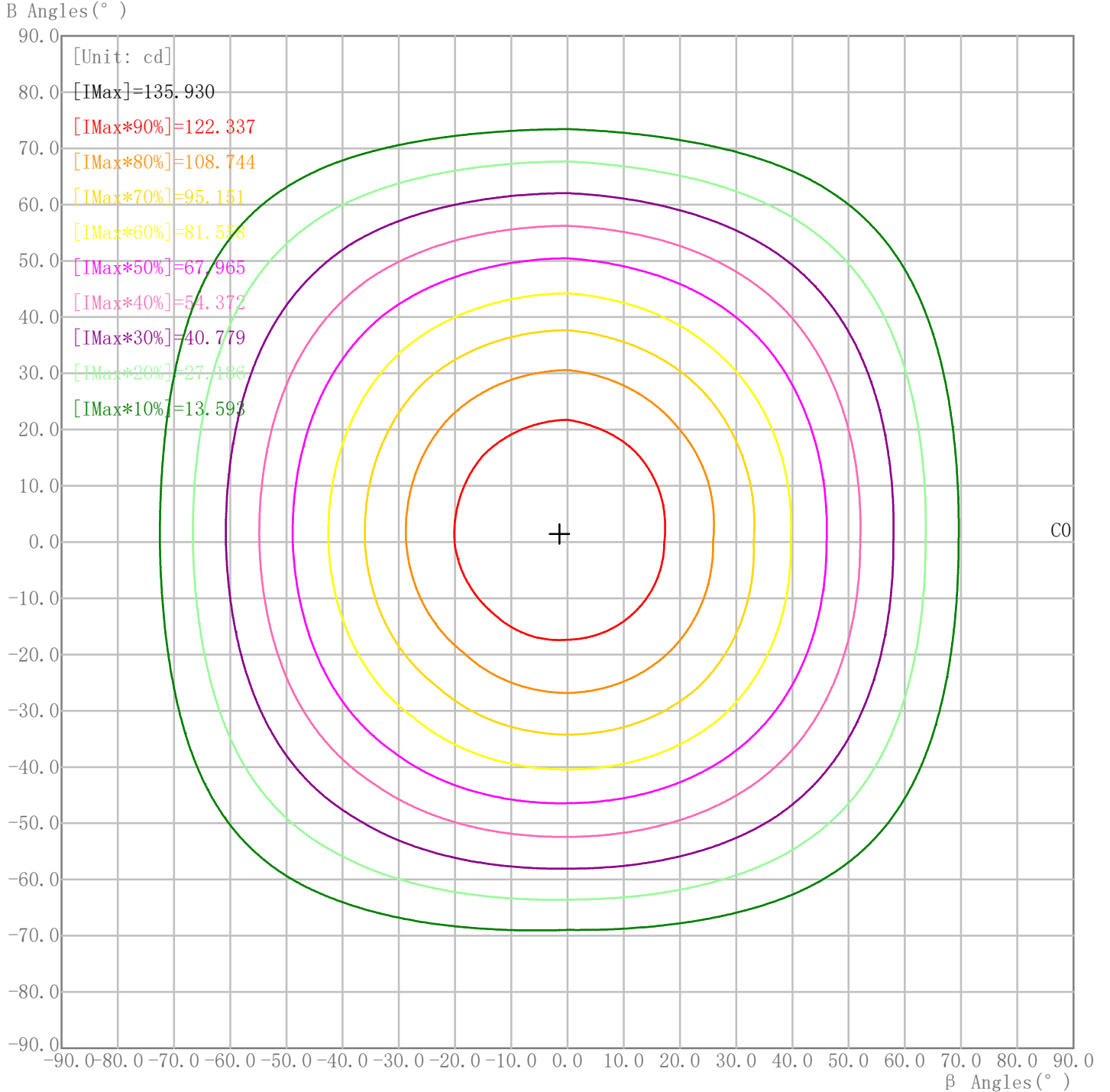


Curves: 3D Model ——— Fixture ——— Vert. HUD ——— Hori. HUD ———
View Angles: Orient:0 Tilt:0 Roll:0 Spin:0

IES Indoor Report

Photometric Filename: TT-2835-L1200-3000K-2-Frosted LENS.IES

Rectangle ISO Light Intensity Curve

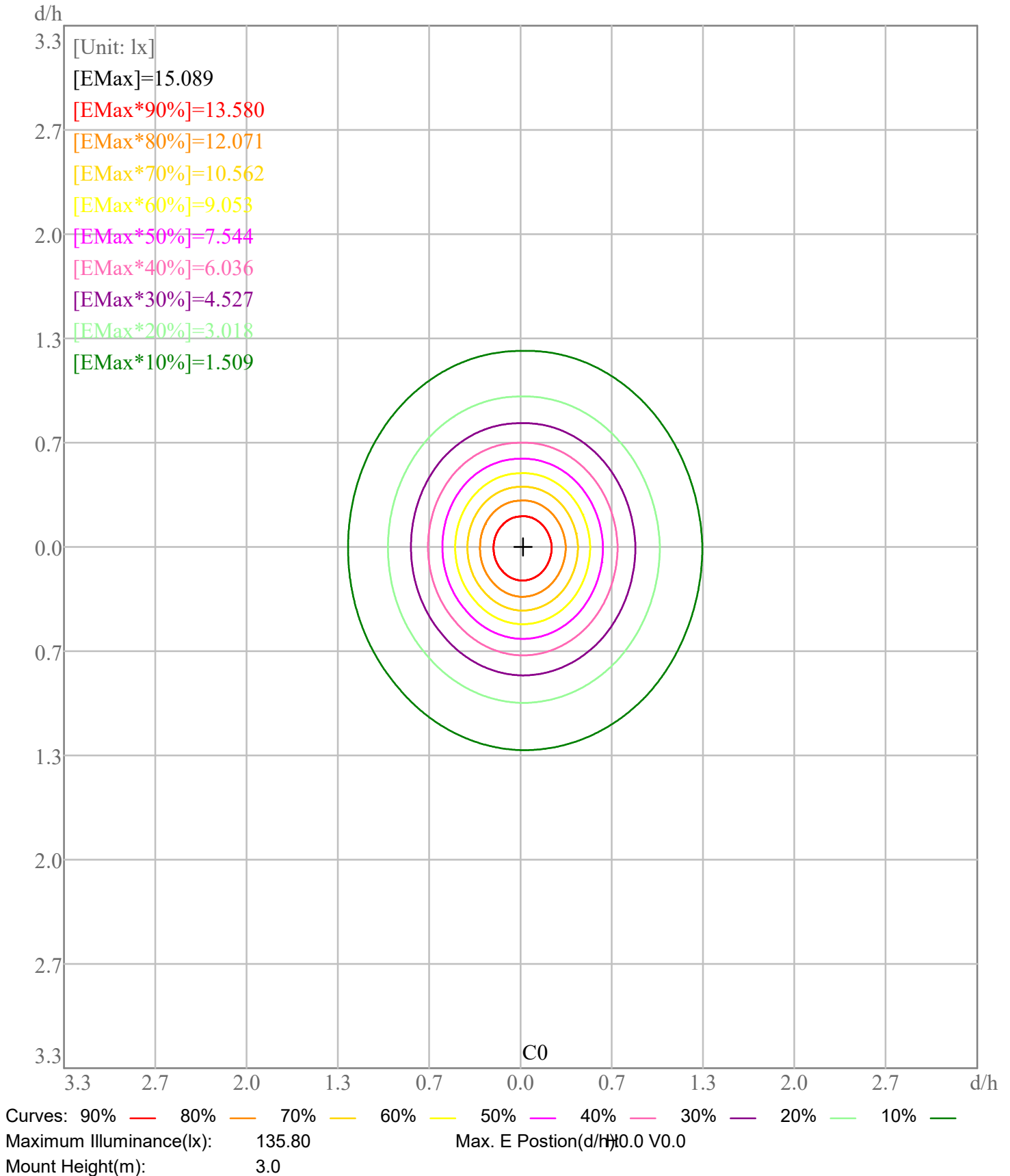


Curves: 90% — 80% — 70% — 60% — 50% — 40% — 30% — 20% — 10% —
Maximum Light Intensity(cd): 135.93 Maximum Cd. Angles: H-1.4 V1.4

IES Indoor Report

Photometric Filename: TT-2835-L1200-3000K-2-Frosted LENS.IES

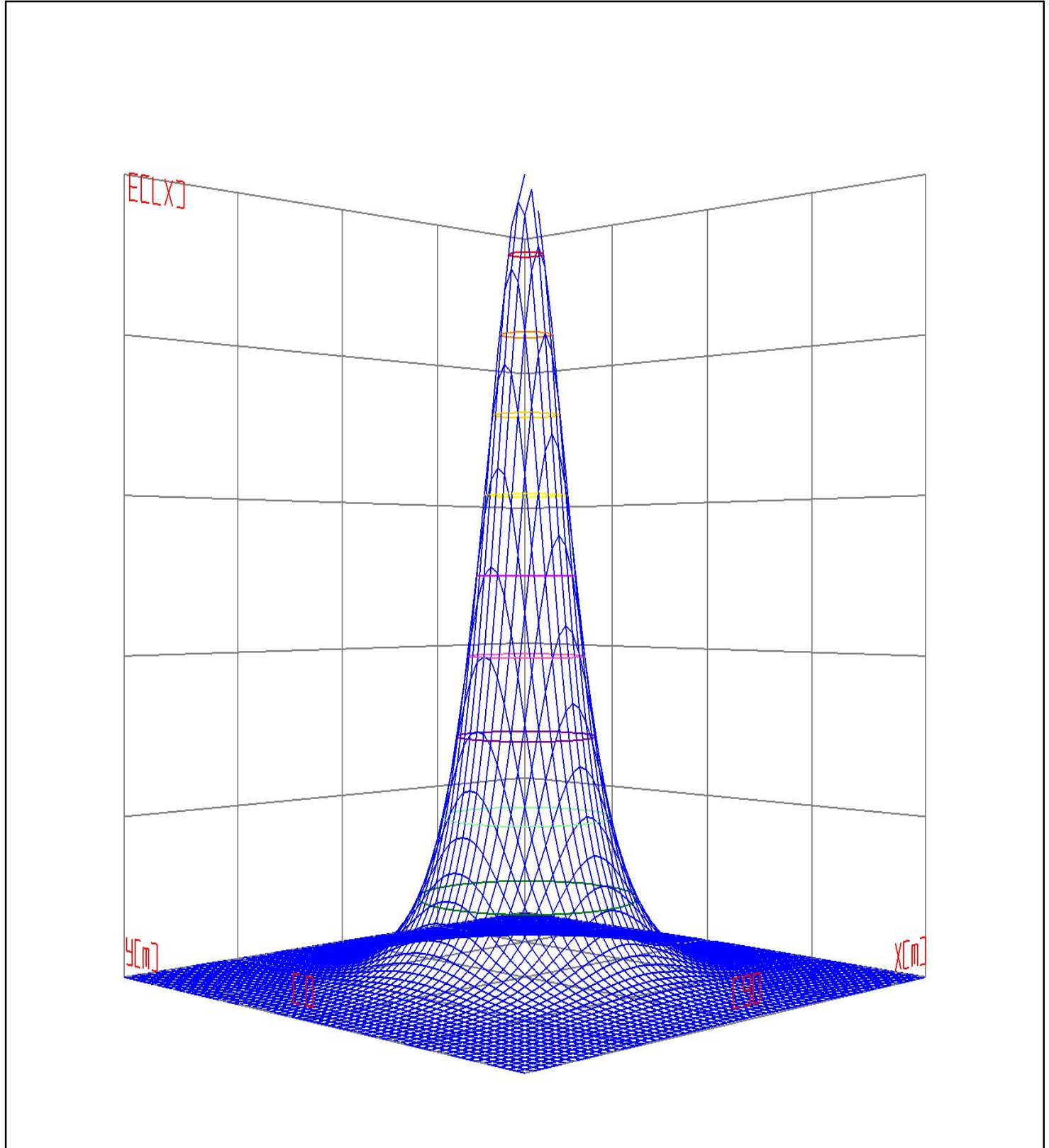
Plane ISO-Illuminance Curve



IES Indoor Report

Photometric Filename: TT-2835-L1200-3000K-2-Frosted LENS.IES

3D Plane ISO Illuminance Curve

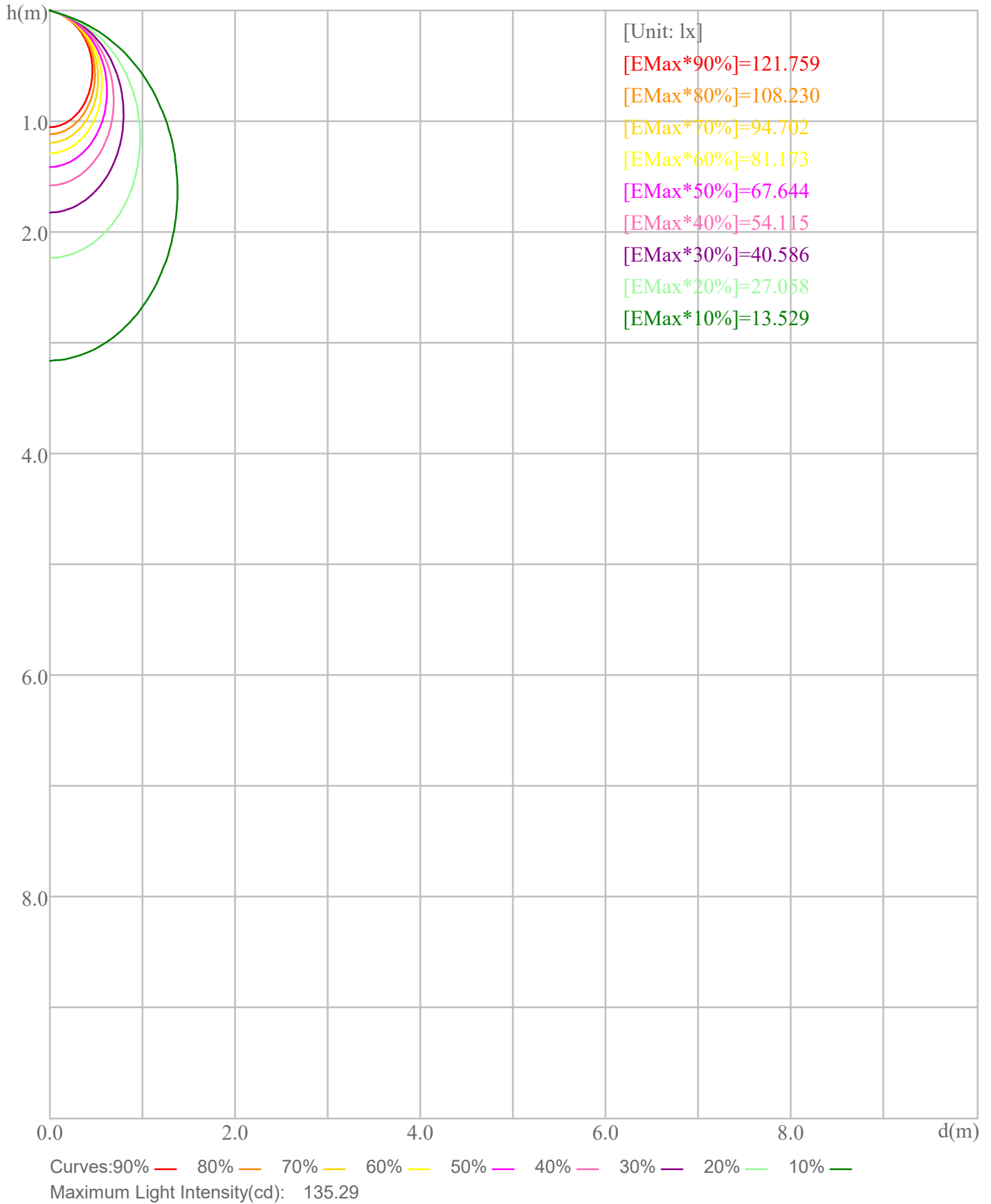


Curves: 3D Model — 90% — 80% — 70% — 60% — 50% — 40% — 30% — 20% — 10%
View Angles(deg): 0 Height(m): 3.0 Distance(m): 10.0

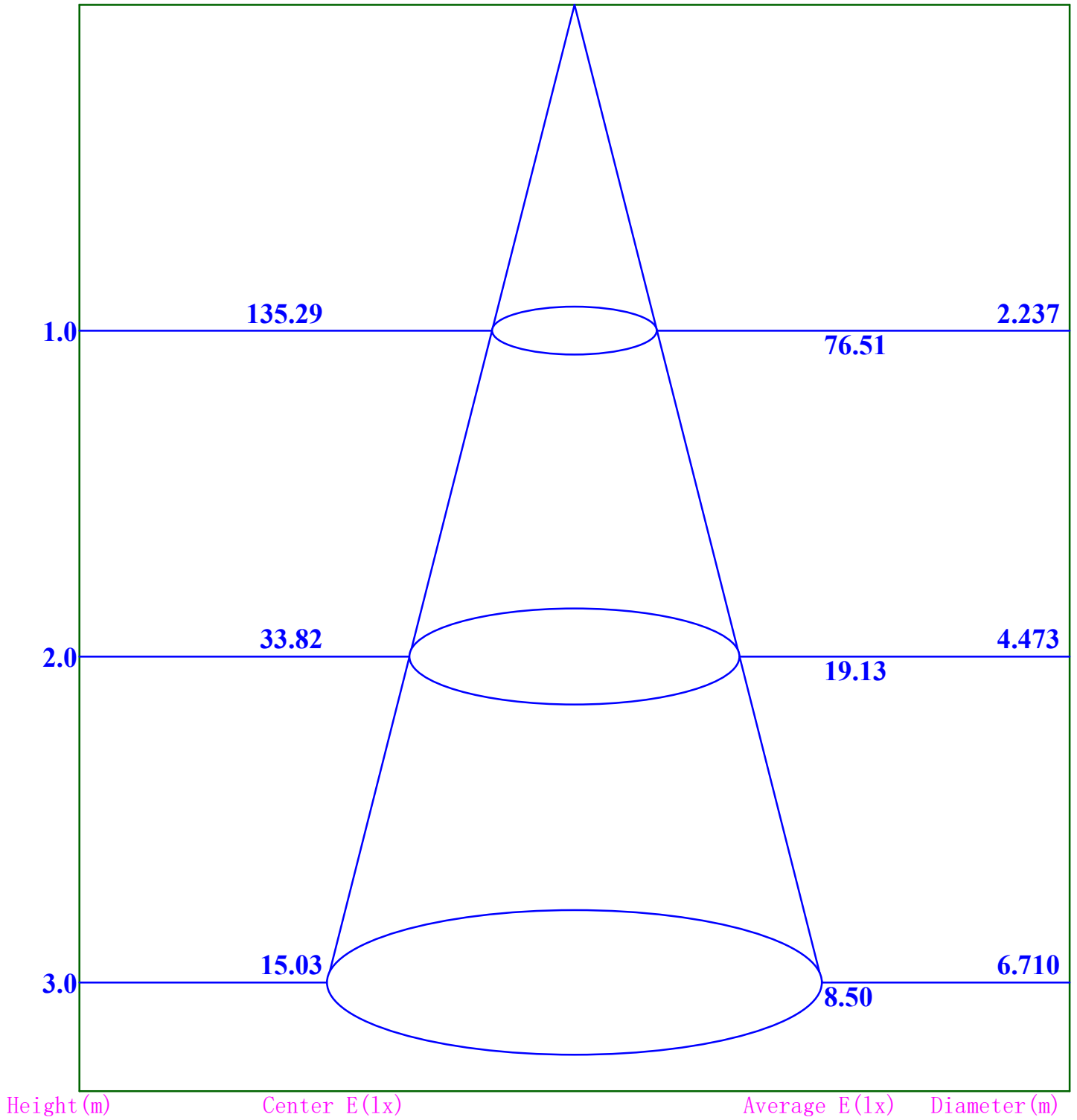
IES Indoor Report

Photometric Filename: TT-2835-L1200-3000K-2-Frosted LENS.IES

Space ISO Illuminance Curve



Illuminance-Distance Curve



Beam Angle:96.4

IES Indoor Report

Photometric Filename:TT-2835-L1200-3000K-2-Frosted LENS.IES

Indoor Luminance Limiting Curve

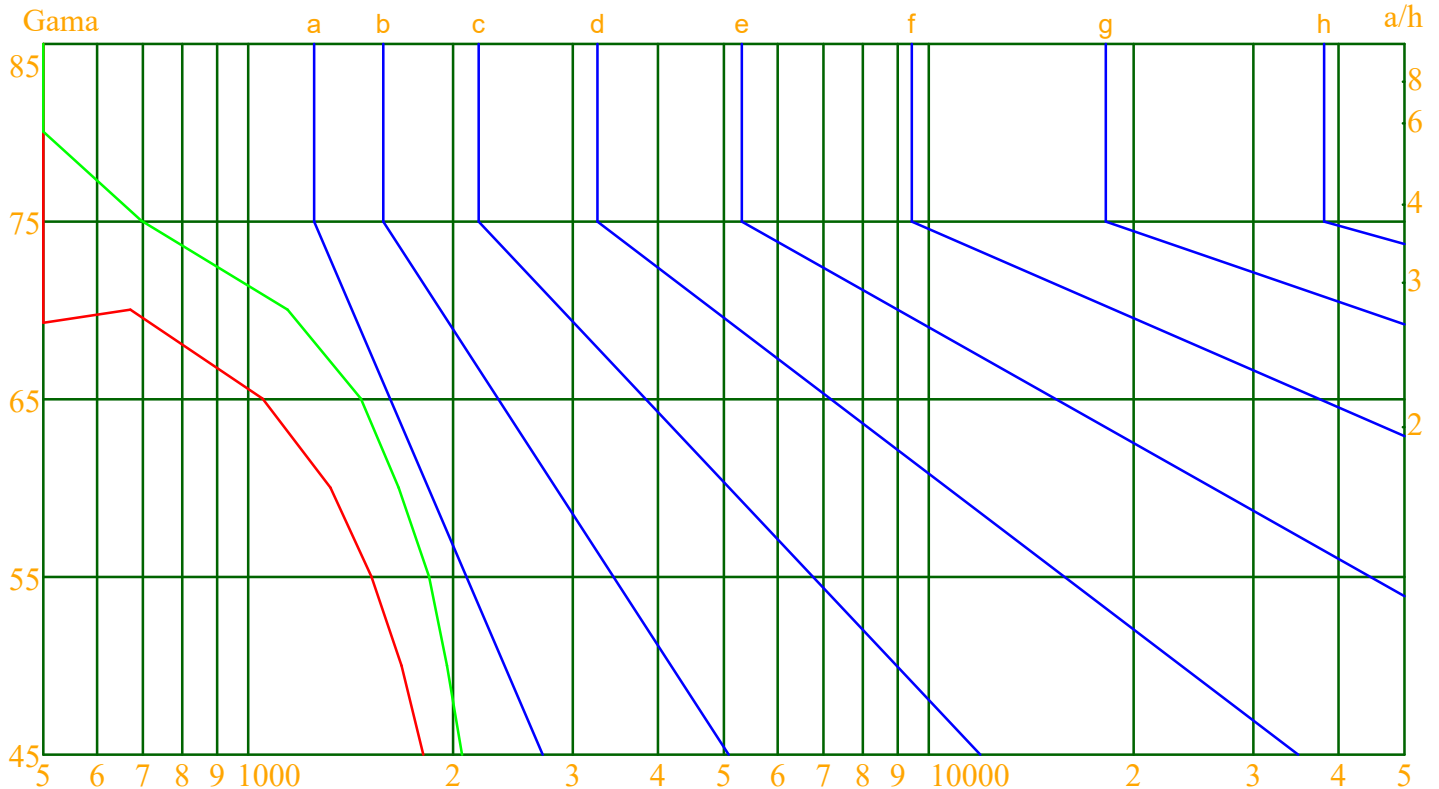
Glare Grade Table

GI	Quality	Using Illuminance							
		a	b	c	d	e	f	g	h
1.15	A	2000	1000	500	<=300				
1.5	B		2000	1000	500	<=300			
1.85	C			2000	1000	500	<=300		
2.2	D				2000	1000	500	<=300	
2.55	E					2000	1000	500	<=300
		a	b	c	d	e	f	g	h

Luminance Table

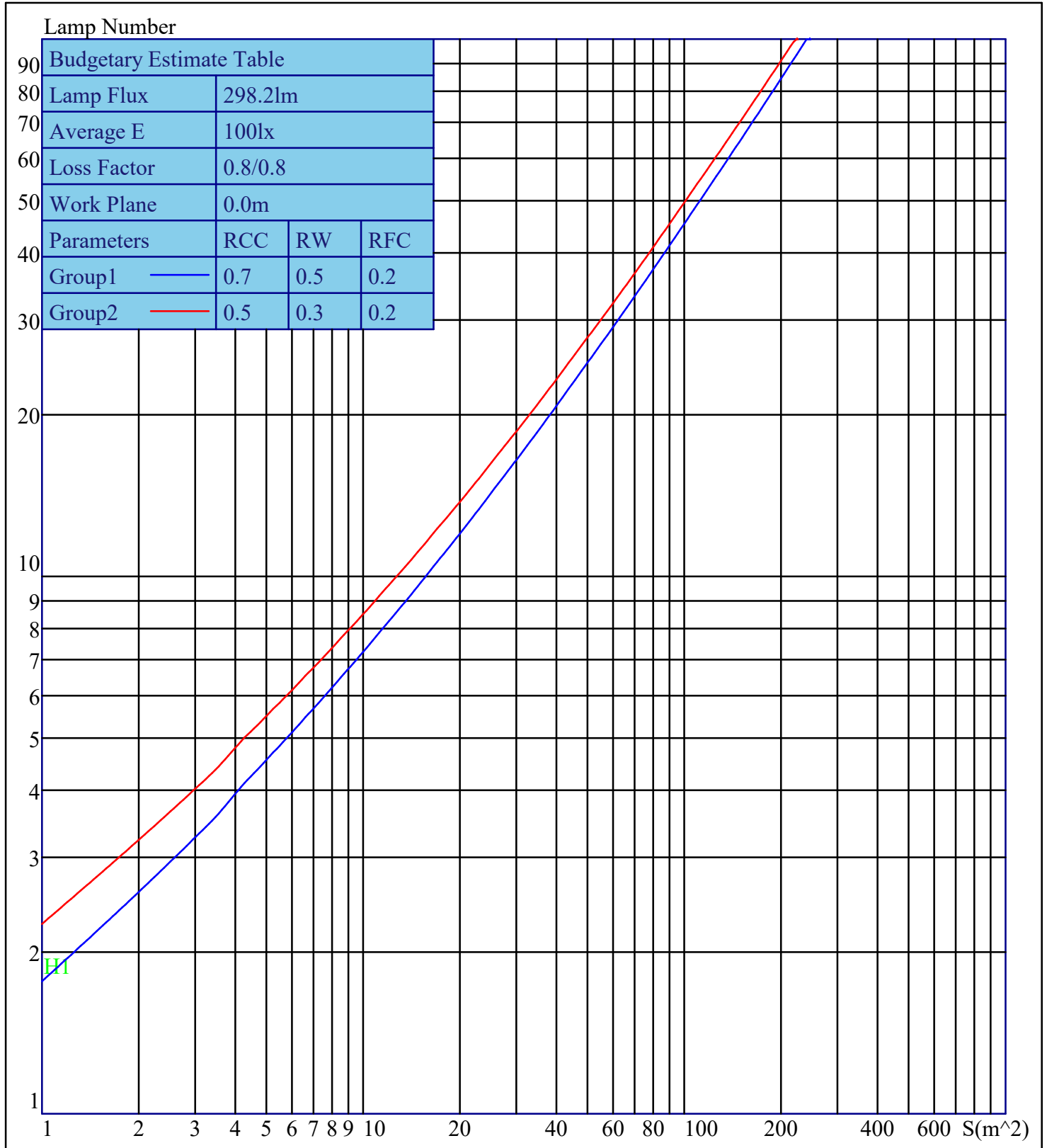
Gama(deg)	45	50	55	60	65	70	75	80	85
C0	1808	1679	1517	1320	1050	672	96	0	0
C90	2062	1959	1843	1663	1464	1143	697	0	0

Luminance Limiting Curve



Luminous Size: Length(m)=0.304 Width(m)=0.120 Height(m)=0.060 Area(m²)=0.054720
 Luminous Type: Without Luminous Side
 Luminous Curves: C0-C180 Color: — C90-C270 Color: —

Indoor Budgetary Estimate Table



Parameters1: Rhocc = 0.7 Rhow = 0.5 Rhofc = 0.2 LLF = 0.8
 Parameters2: Rhocc = 0.5 Rhow = 0.3 Rhofc = 0.2 LLF = 0.8
 Average Illuminance(lx): 100 Cavity Height: H1(m) = 2