

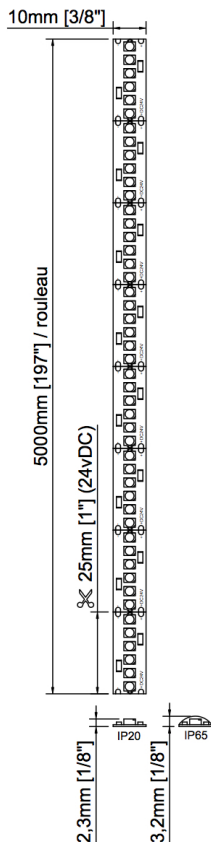
TITANIUM

TECHNOLOGY

TT-2835-L1200



- 5m roll of SMD2835 LED Strip in 5 meter roll.



| | | |
|---------------|--|---|
| Voltage | 24vDC | |
| LED/m | 240 / m | |
| Power | 30,4 w / m 9,26 w / feet 152 w / roll | |
| Amperage | 1,27 A / m 0,39 A / feet 6,34 A / roll | |
| Lumen | 27K - 448 lm / feet 30K - 456 lm / feet 35K - 452 lm / feet 40K - 422 lm / feet 60K - 384 lm / feet | - 55 lm / w - 64 lm / w 57 lm / w |
| Angle | 120° | |
| Size | IP20 | 10mm x 2,3mm x 5000mm $\frac{3}{8}'' \times \frac{1}{8}'' \times 196\frac{7}{8}''$ |
| | IP65 | 10mm x 3,2mm x 5000mm $\frac{3}{8}'' \times \frac{1}{8}'' \times 196\frac{7}{8}''$ |
| | IP67 | 13mm x 5mm x 5000mm $\frac{1}{2}'' \times \frac{3}{16}'' \times 196\frac{7}{8}''$ |
| Cut line | 25 mm 1" | |
| Finish | White | |
| Dimmable | Yes | |
| LED Colour | 27K - Warm white 2700K 30K - Warm white 3000K 35K - Neutral white 3500K 40K - Neutral white 4000K 60K - Cold white 6000K R - Red G - Green B - Blue A - Amber | |
| Working temp. | -40°C ~ 70°C | |
| IP | 20, 65, 67 | |

PRODUCT COLOR

| TT | SMD | LED PER ROLL | IP | LED COLOR | VOLTAGE |
|----|------|--------------|----|-----------|---------|
| TT | 2835 | L1200 | 20 | 27K | 24V |
| TT | 2835 | L1200 | | | 24V |

IES Indoor Report

Photometric Filename:TT-2835-L1200-3000K-1-NO LENS.IES

Indoor Luminaire Photometric Data

Description Information

| | | |
|---|---------------------------------|-----------------------------|
| Luminaire Name: TT-2835-L1200-3000k-1-NO-lens | Luminaire Catalog: | Test ID: |
| Lamp Name: TT-2835-L1200-3000k-1-NO-lens | Lamp Catalog: 2835 | Test Date: 2021/03/23 |
| Manufacture: TITANIUM TECHNOLOGIE | ShieldingAngle(°): | Test Machine: GON-2000 |
| Test Lab: | Frequency(Hz): | Luminaire CCT(K): |
| Luminaire Size(W*L*H): 0.120*0.304*0.060 | Lighting Area(m2): 0.055 | Luminaire Weight(kg): 0.100 |
| Test System: C, γ | Test Step: C=45.0 γ =1.0 | Temperature(°C): 25 |
| | | Humidity(%): |

Character Parameter

| Lamp Speciality Parameter | |
|--|---------------------------------------|
| Lamp Rated Lumens(lm): 448.000 | Lamp Number in Luminaire: 1 |
| Lamp Norminal Power(W): | Lamp Rated Voltage(V): |
| Lamp Tested Power(W): 8.353 | Lamp Tested Voltage(V): 23.8 |
| Lamp Tested Current(A): 0.350 | Lamp Tested PF: |
| Lamp Size(W*L*H): 0.120*0.304*0.060 | |
| Luminaire Speciality | |
| Luminaire Lumens(lm): 456.111 | Beam Angle(10%Imax): 108.7 |
| Luminaire Efficiency: 101.81% | Left=-52.3 Right=56.4 |
| Luminaire EER(lm/W): 54.605 | Field Angle(10%Imax): 149.2 |
| Muximum Cand.(cd): 195.307 | Spacing Criteria S/MH(C0_180): 1.282 |
| Max Cd. Angle(°): C=90.0 γ =1.0 | Spacing Criteria S/MH(C90_270): 1.256 |
| Downward Lumens(lm): 456.111 | CIE Type: Semi-Direct |
| Upward Lumens(lm): 0.000 | ErP ϕ use(120deg): 424.828lm |
| Downward Total Efficiency%: 100.00 | IRF(%): 111.748 |
| Upward Total Efficiency%: 0.00 | |

IES Indoor Report

Photometric Filename: TT-2835-L1200-3000K-1-NO LENS.IES

2D Light Intensity Distribution Curve

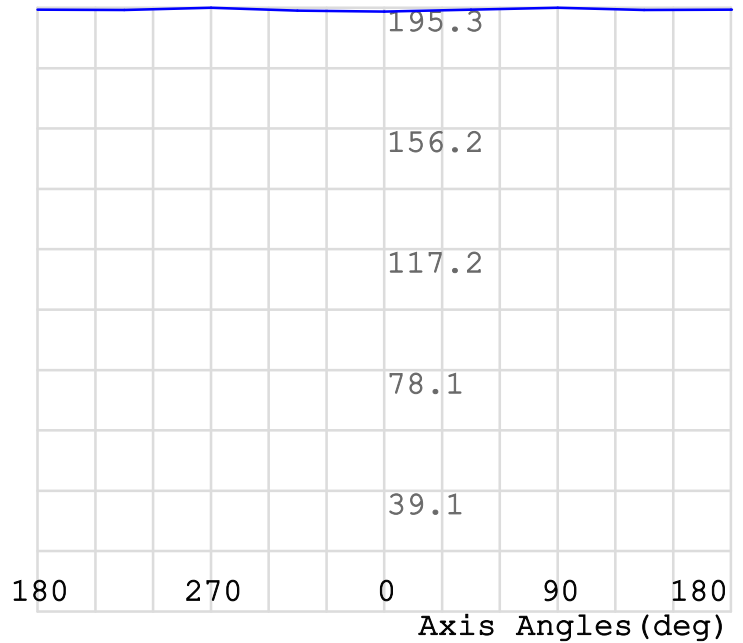
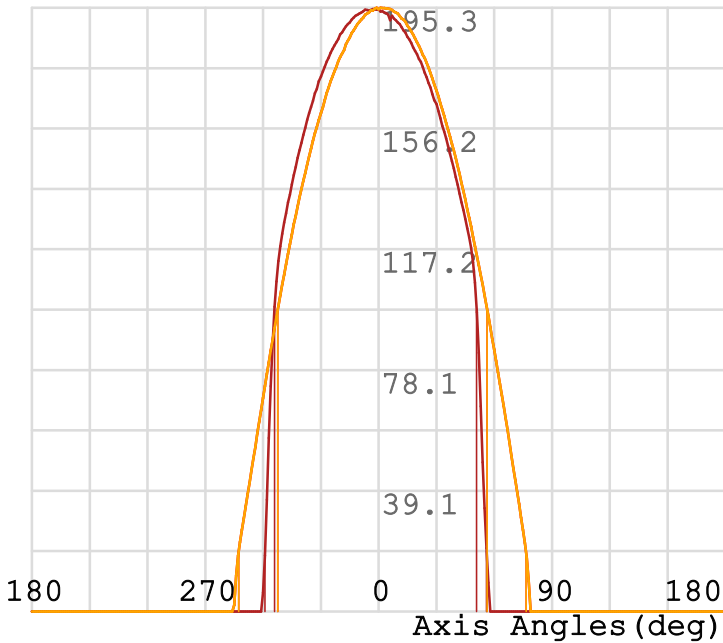
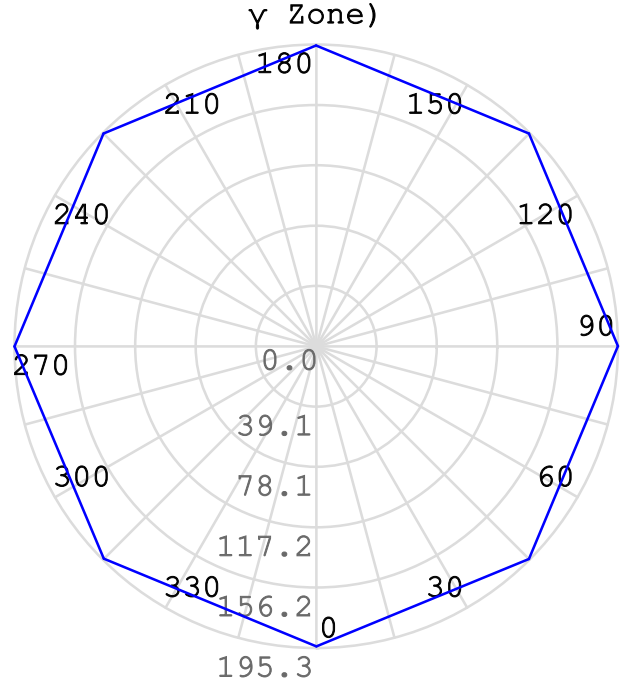
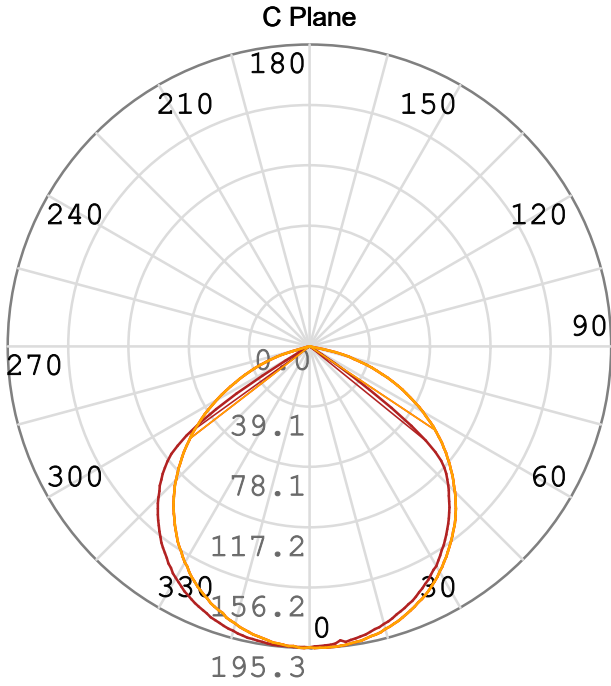
Plane [50%Ang.] [10%Ang.]

C90.0: 108.7 149.2

C0.0: 105.0 115.0

C90.0: 108.7 149.2

Polar Graph



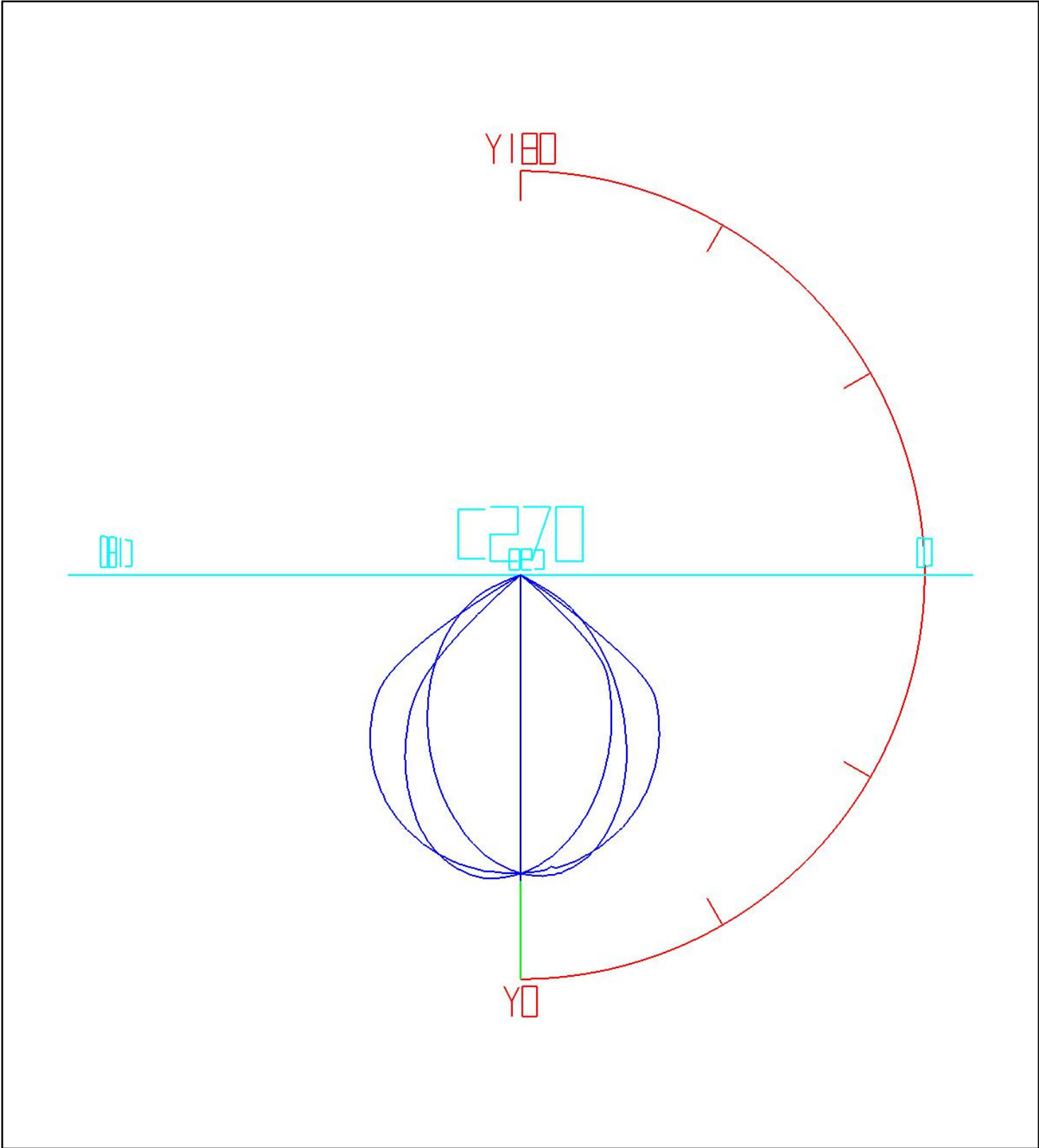
C Plane: C90.0_270.0

γ Cone: γ1.0

C0.0_180.0

C90.0_270.0

3D Light Intensity Distribution Curve

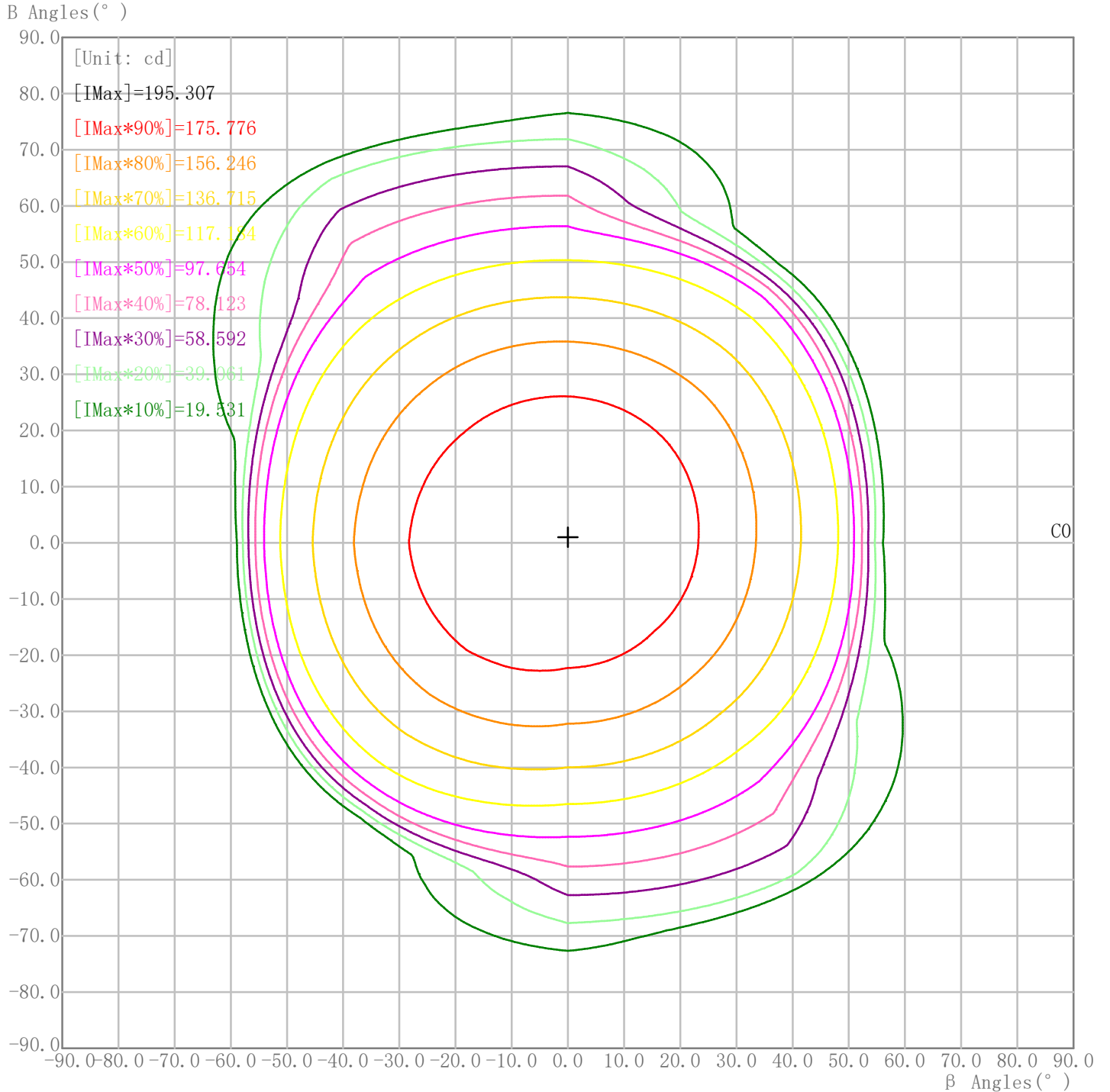


Curves: 3D Model ——— Fixture ——— Vert. HUD ——— Hori. HUD ———
View Angles: Orient:0 Tilt:0 Roll:0 Spin:0

IES Indoor Report

Photometric Filename: TT-2835-L1200-3000K-1-NO LENS.IES

Rectangle ISO Light Intensity Curve



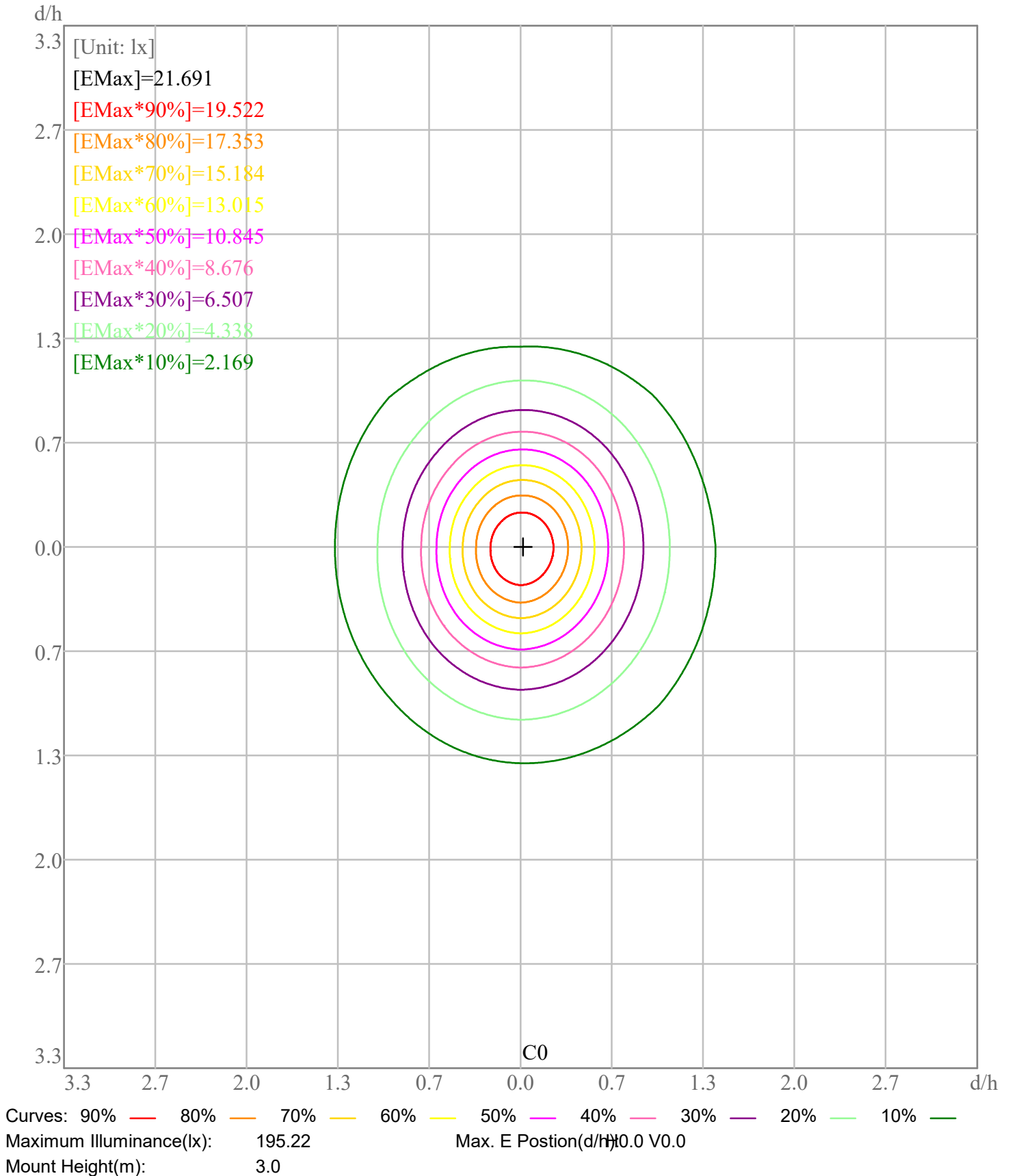
Curves: 90% — 80% — 70% — 60% — 50% — 40% — 30% — 20% — 10% —

Maximum Light Intensity(cd): 195.31 Maximum Cd. Angles: H0.0 V1.0

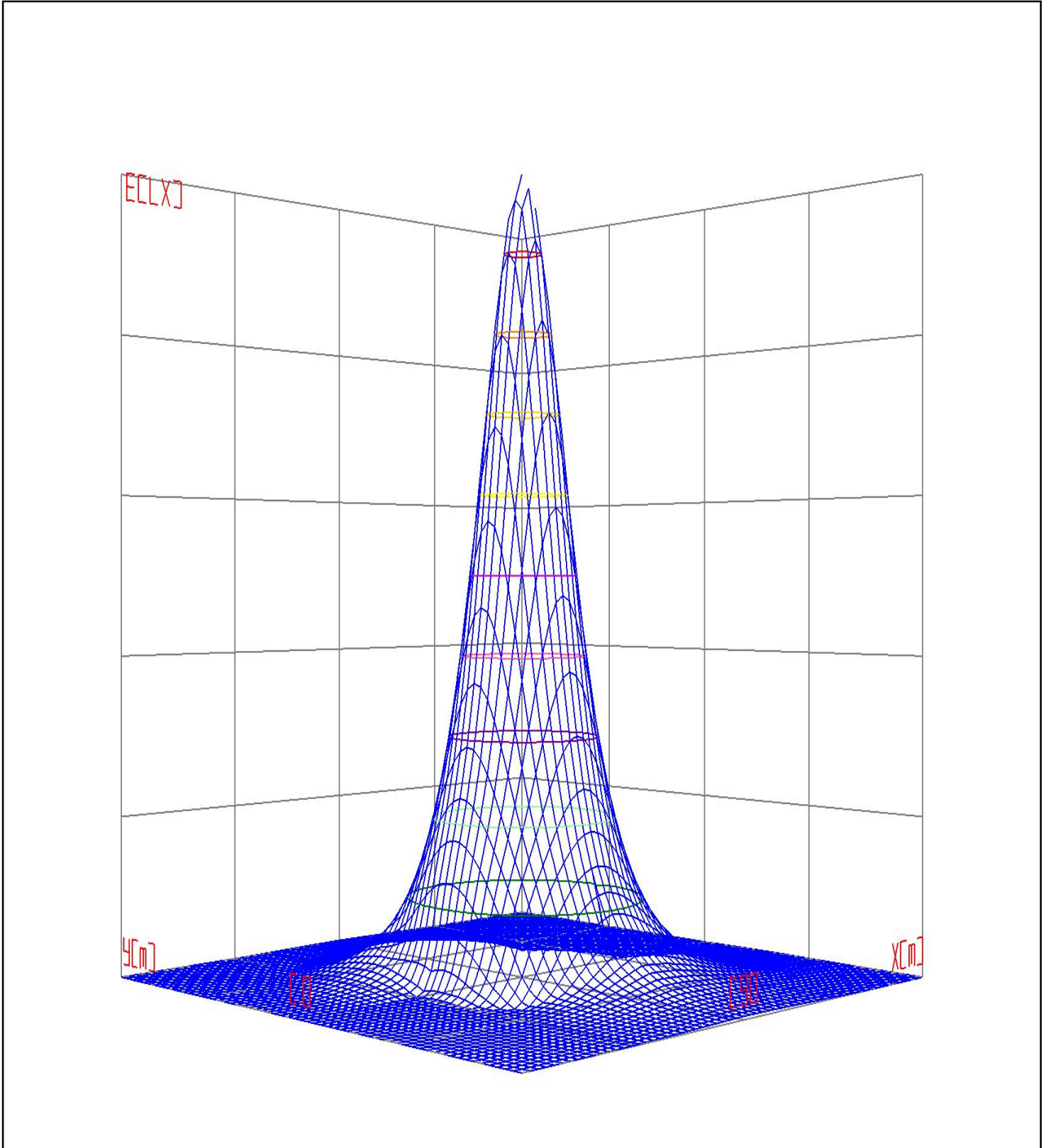
IES Indoor Report

Photometric Filename: TT-2835-L1200-3000K-1-NO LENS.IES

Plane ISO-Illuminance Curve



3D Plane ISO Illuminance Curve

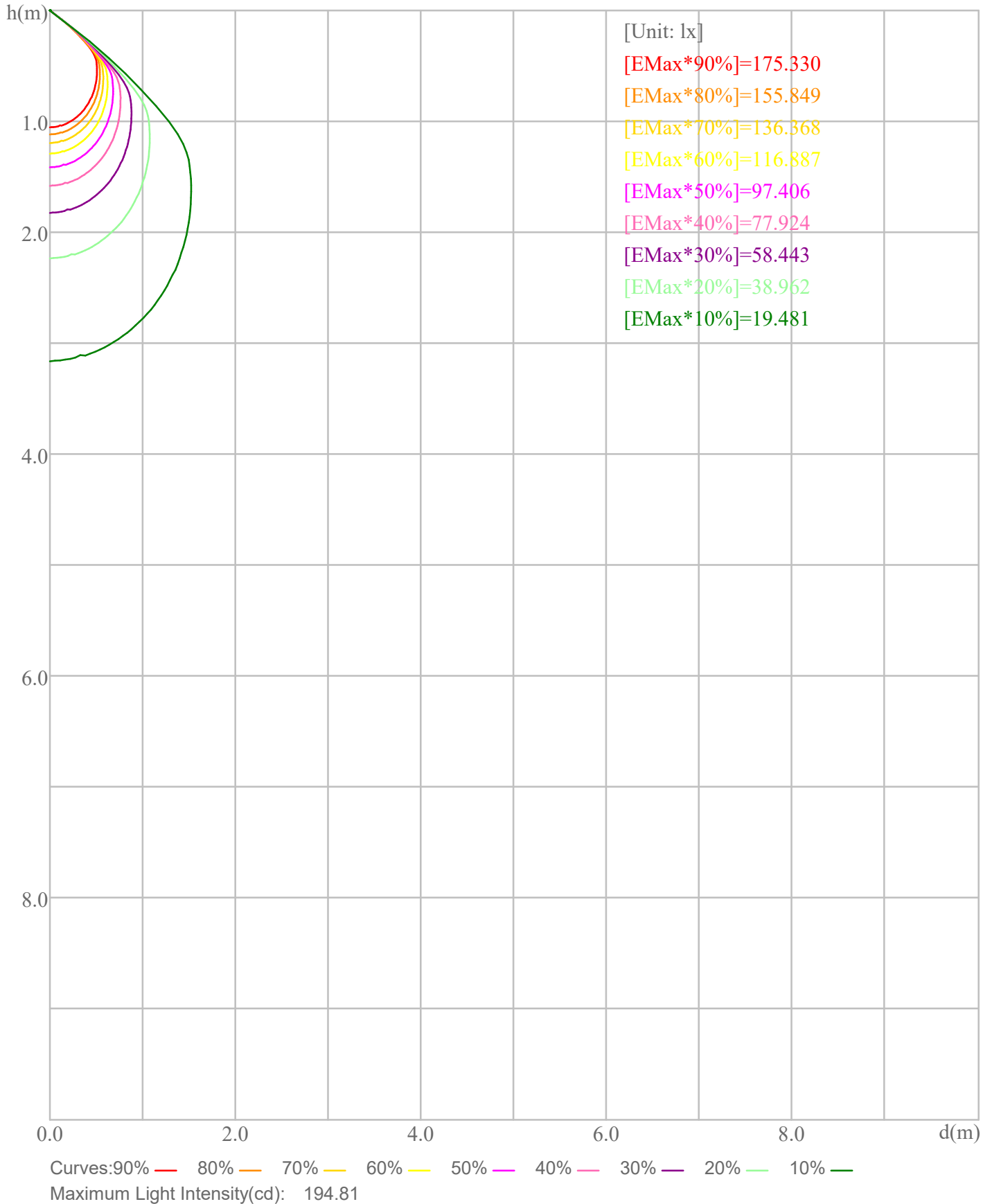


Curves: 3D Model — 90% — 80% — 70% — 60% — 50% — 40% — 30% — 20% — 10%
View Angles(deg): 0 Height(m): 3.0 Distance(m): 10.0

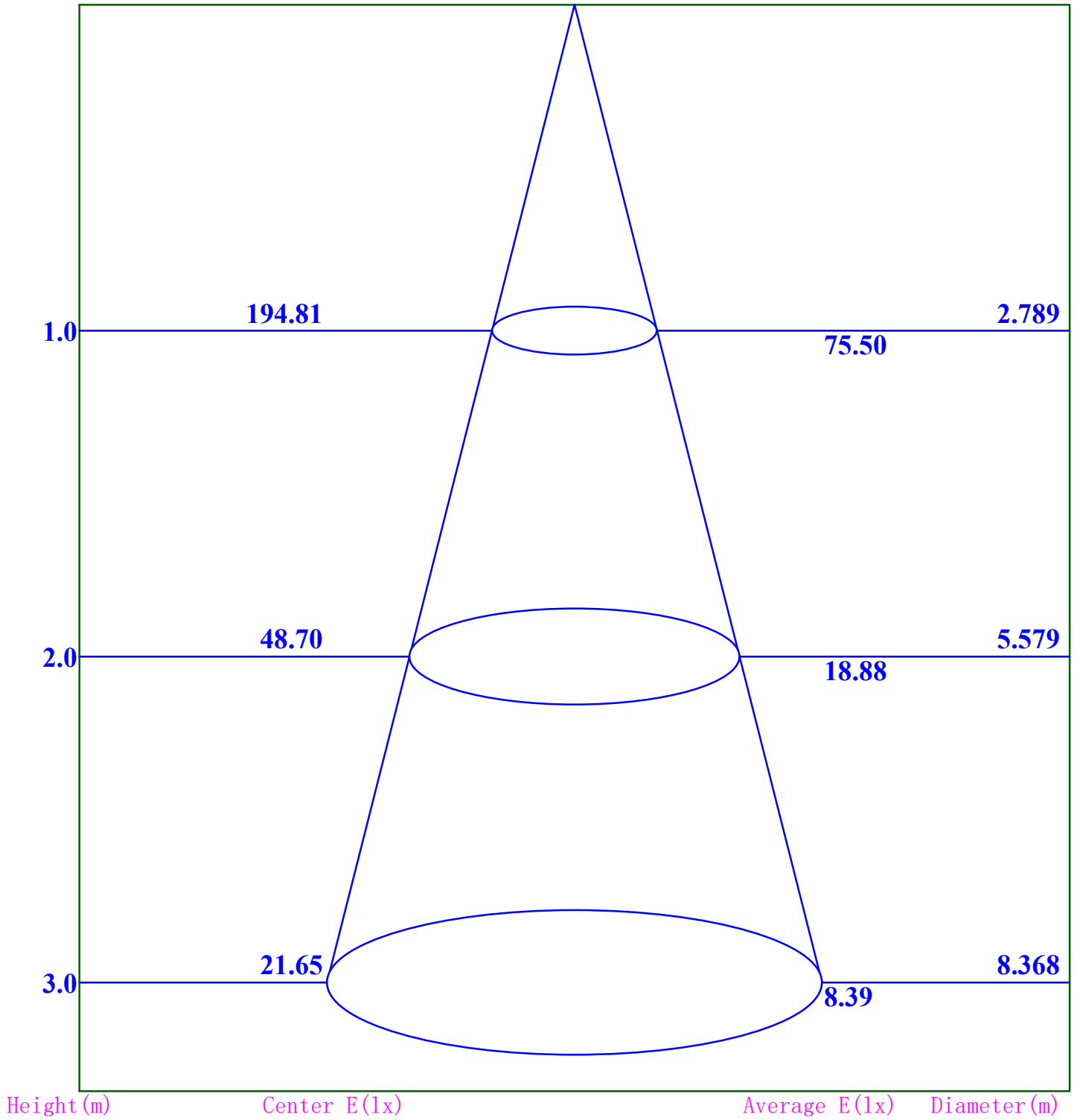
IES Indoor Report

Photometric Filename: TT-2835-L1200-3000K-1-NO LENS.IES

Space ISO Illuminance Curve



Illuminance-Distance Curve



Beam Angle:108.7

IES Indoor Report

Photometric Filename:TT-2835-L1200-3000K-1-NO LENS.IES

Indoor Luminance Limiting Curve

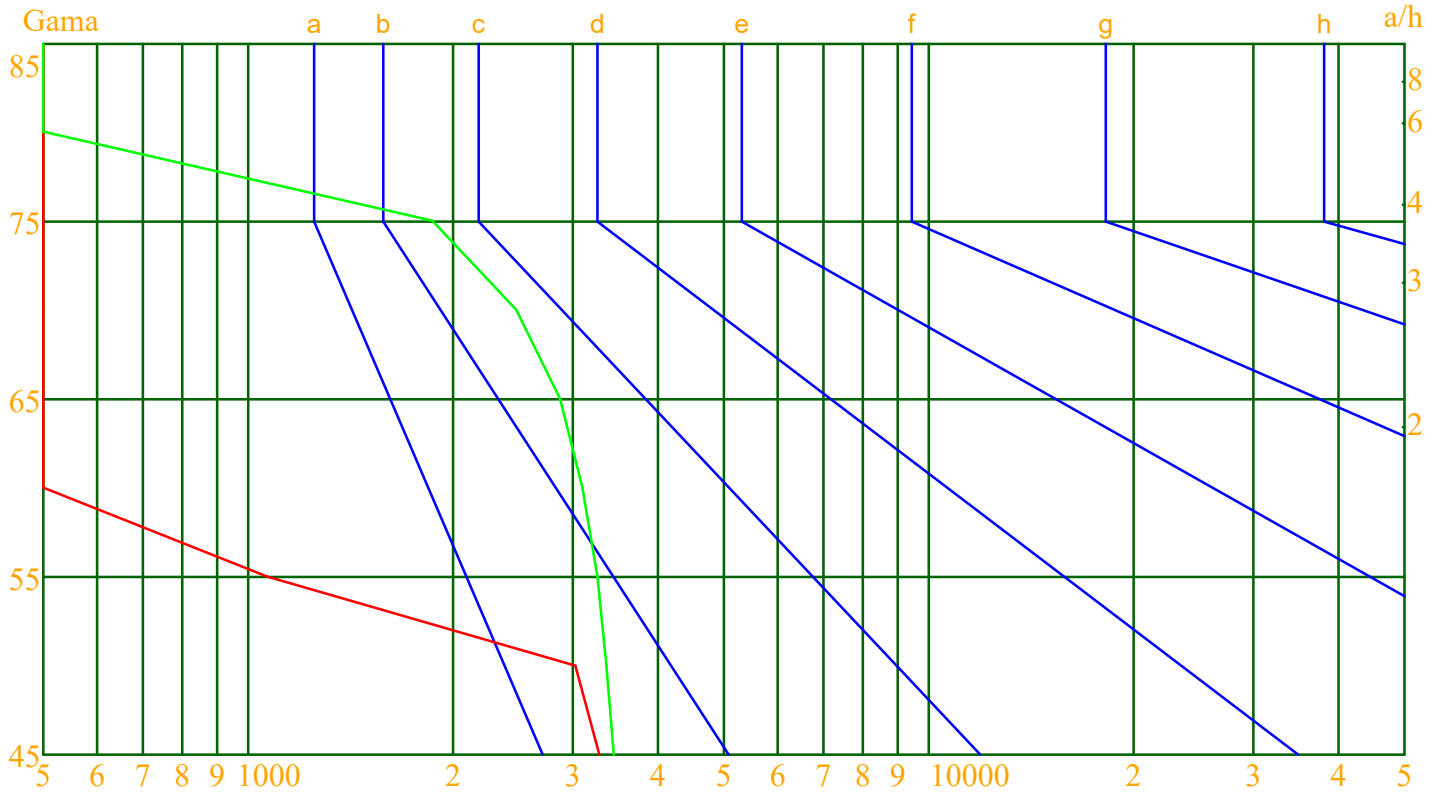
Glare Grade Table

| GI | Quality | Using Illuminance | | | | | | | |
|------|---------|-------------------|------|------|-------|-------|-------|-------|-------|
| | | a | b | c | d | e | f | g | h |
| 1.15 | A | 2000 | 1000 | 500 | <=300 | | | | |
| 1.5 | B | | 2000 | 1000 | 500 | <=300 | | | |
| 1.85 | C | | | 2000 | 1000 | 500 | <=300 | | |
| 2.2 | D | | | | 2000 | 1000 | 500 | <=300 | |
| 2.55 | E | | | | | 2000 | 1000 | 500 | <=300 |
| | | a | b | c | d | e | f | g | h |

Luminance Table

| Gama(deg) | 45 | 50 | 55 | 60 | 65 | 70 | 75 | 80 | 85 |
|-----------|------|------|------|------|------|------|------|----|----|
| C0 | 3280 | 3024 | 1067 | 0 | 0 | 0 | 0 | 0 | 0 |
| C90 | 3443 | 3360 | 3259 | 3099 | 2872 | 2475 | 1863 | 0 | 0 |

Luminance Limiting Curve

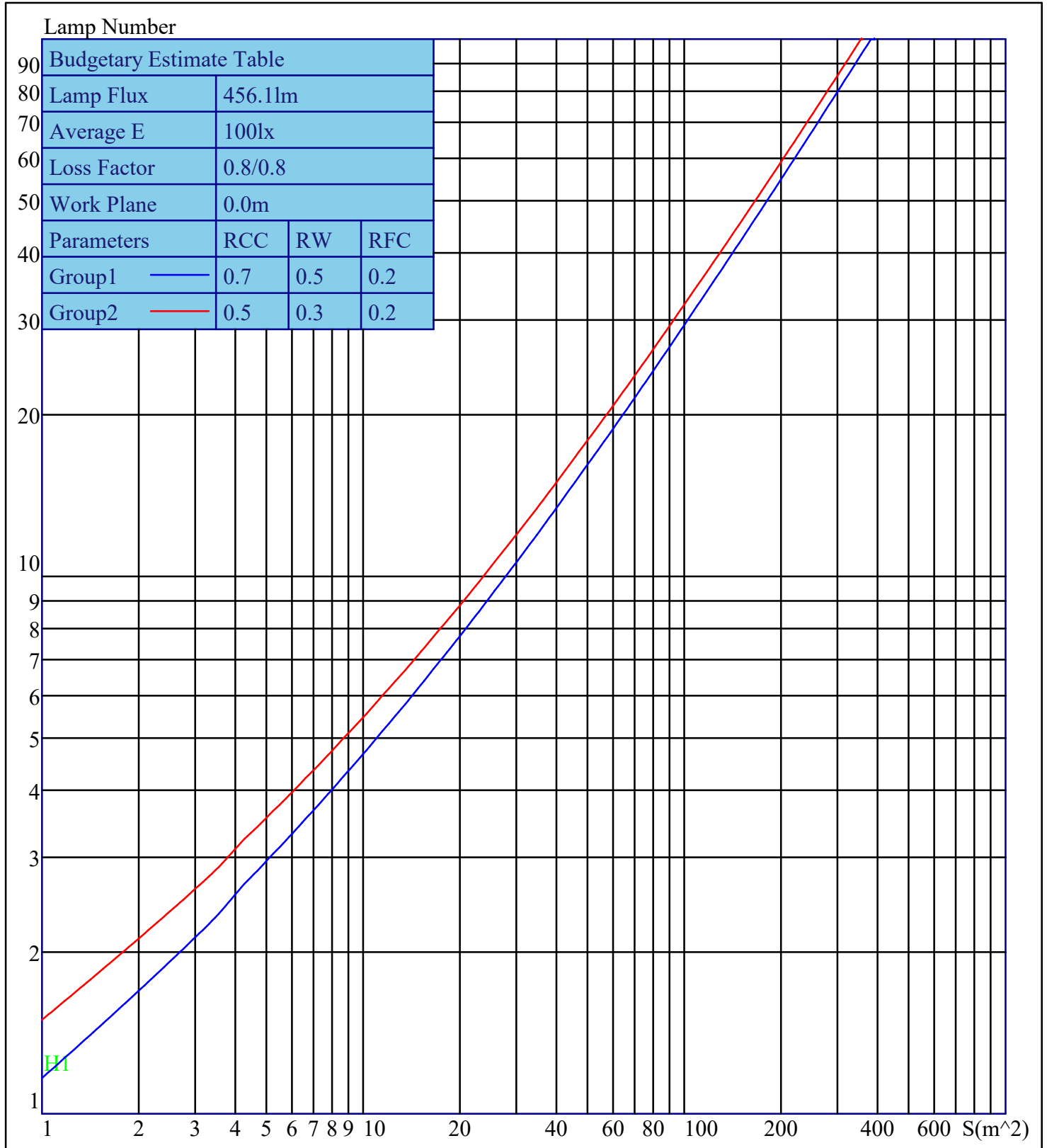


Luminous Size: Length(m)=0.304 Width(m)=0.120 Height(m)=0.060 Area(m²)=0.054720
 Luminous Type: Without Luminous Side
 Luminous Curves: C0-C180 Color: — C90-C270 Color: —

IES Indoor Report

Photometric Filename: TT-2835-L1200-3000K-1-NO LENS.IES

Indoor Budgetary Estimate Table



Parameters1: Rhocc = 0.7 Rhow = 0.5 Rhofc = 0.2 LLF = 0.8
 Parameters2: Rhocc = 0.5 Rhow = 0.3 Rhofc = 0.2 LLF = 0.8
 Average Illuminance(lx): 100 Cavity Height: H1(m) = 2