

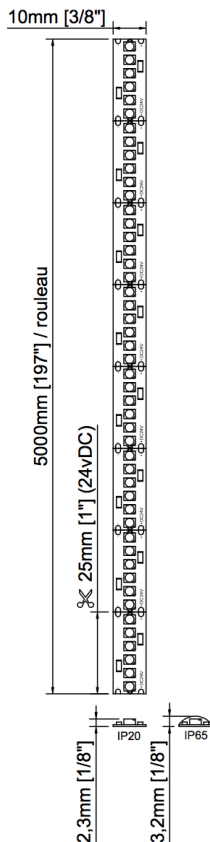
# TITANIUM

TECHNOLOGY

TT-2835-L1200



- 5m roll of SMD2835 LED Strip in 5 meter roll.



Voltage	<b>24vDC</b>	
LED/m	240 / m	
Power	30,4 w / m 9,26 w / feet 152 w / roll	
Amperage	1,27 A / m 0,39 A / feet 6,34 A / roll	
Lumen	27K - 448 lm / feet 30K - 456 lm / feet 35K - 452 lm / feet 40K - 422 lm / feet 60K - 384 lm / feet	- 55 lm / w - 64 lm / w 57 lm / w
Angle	120°	
Size	IP20	10mm x 2,3mm x 5000mm $\frac{3}{8}'' \times \frac{1}{8}'' \times 196\frac{7}{8}''$
	IP65	10mm x 3,2mm x 5000mm $\frac{3}{8}'' \times \frac{1}{8}'' \times 196\frac{7}{8}''$
	IP67	13mm x 5mm x 5000mm $\frac{1}{2}'' \times \frac{3}{16}'' \times 196\frac{7}{8}''$
Cut line	25 mm 1"	
Finish	White	
Dimmable	Yes	
LED Colour	<b>27K</b> - Warm white 2700K <b>30K</b> - Warm white 3000K <b>35K</b> - Neutral white 3500K <b>40K</b> - Neutral white 4000K <b>60K</b> - Cold white 6000K <b>R</b> - Red <b>G</b> - Green <b>B</b> - Blue <b>A</b> - Amber	
Working temp.	-40°C ~ 70°C	
IP	<b>20, 65, 67</b>	

## PRODUCT COLOR

TT	SMD	LED PER ROLL	IP	LED COLOR	VOLTAGE
TT	2835	L1200	20	27K	24V
TT	2835	L1200			24V

# IES Indoor Report

Photometric Filename: TT-2835-L1200-3000K-2-Frosted LENS.IES

## Indoor Luminaire Photometric Data

### Description Information

Luminaire Name: TT-2835-L1200-3000k-2-Frosted-lens	Luminaire Catalog:	Test ID:
Lamp Name: TT-2835-L1200-3000k-2-Frosted-lens	Lamp Catalog: 2835	Test Date: 2021/03/23
Manufacture: TITANIUM TECHNOLOGIE	ShieldingAngle(°):	Test Machine: GON-2000
Test Lab:	Frequency(Hz):	Luminaire CCT(K):
Luminaire Size(W*L*H): 0.120*0.304*0.060	Lighting Area(m2): 0.055	Luminaire Weight(kg): 0.100
Test System: C, $\gamma$	Test Step: C=45.0 $\gamma$ =1.0	Temperature(°C): 25
		Humidity(%):

### Character Parameter

Lamp Speciality Parameter	
Lamp Rated Lumens(lm): 448.000	Lamp Number in Luminaire: 1
Lamp Norminal Power(W):	Lamp Rated Voltage(V):
Lamp Tested Power(W): 8.317	Lamp Tested Voltage(V): 23.7
Lamp Tested Current(A): 0.350	Lamp Tested PF:
Lamp Size(W*L*H): 0.120*0.304*0.060	
Luminaire Speciality	
Luminaire Lumens(lm): 298.175	Beam Angle(10%Imax): 96.4
Luminaire Efficiency: 66.56%	Left=-46.3 Right=50.1
Luminaire EER(lm/W): 35.851	Field Angle(10%Imax): 142.6
Muximum Cand.(cd): 135.930	Spacing Criteria S/MH(C0_180): 1.155
Max Cd. Angle(°): C=135.0 $\gamma$ =2.0	Spacing Criteria S/MH(C90_270): 1.176
Downward Lumens(lm): 298.175	CIE Type: Semi-Direct
Upward Lumens(lm): 0.000	ErP $\phi$ use(120deg): 265.606lm
Downward Total Efficiency%: 100.00	IRF(%): 125.561
Upward Total Efficiency%: 0.00	

# IES Indoor Report

Photometric Filename: TT-2835-L1200-3000K-2-Frosted LENS.IES

## 2D Light Intensity Distribution Curve

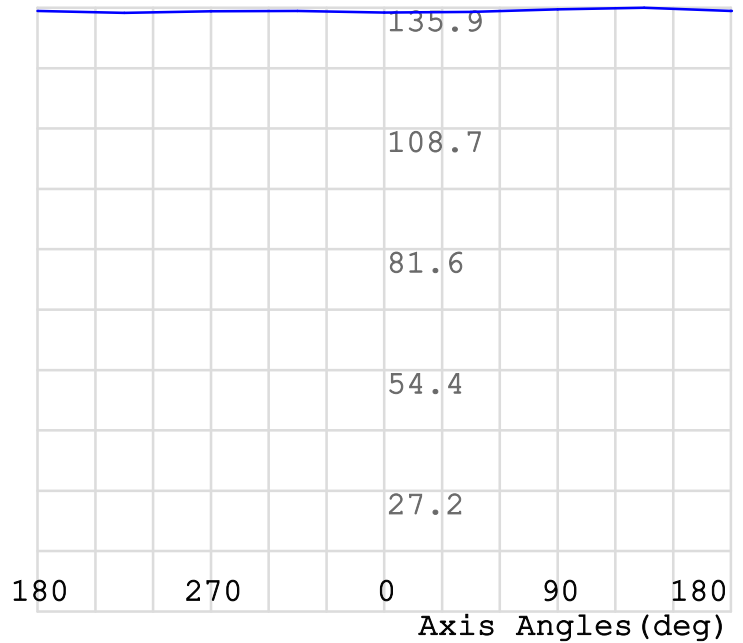
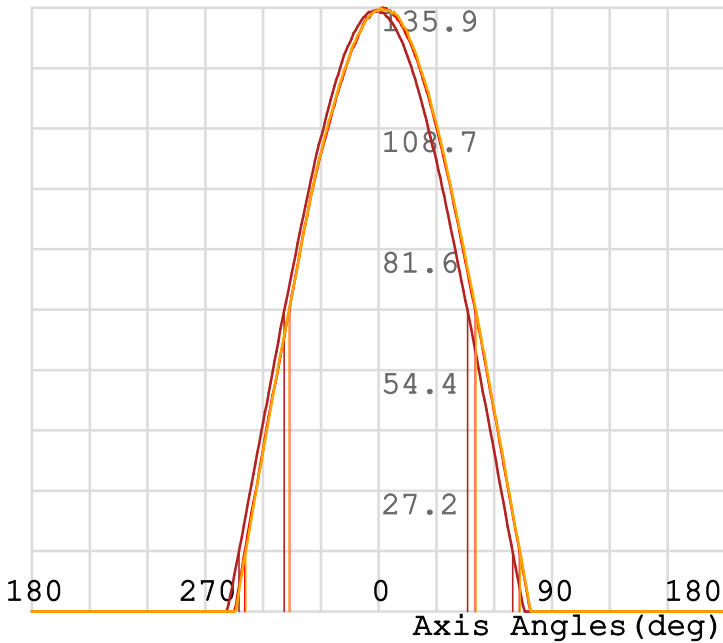
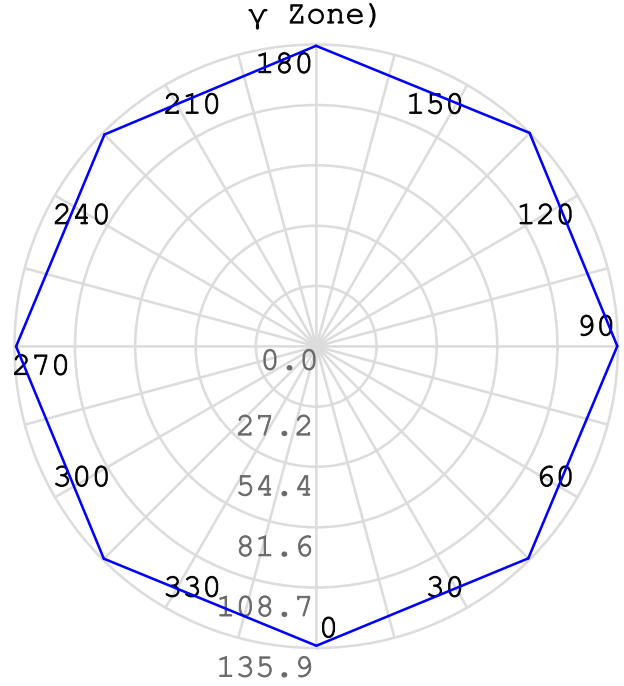
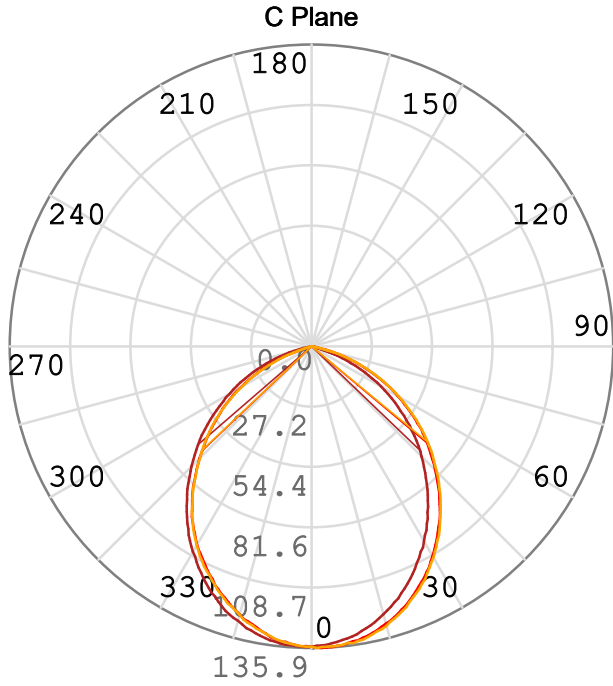
Plane [50%Ang.] [10%Ang.]

C135.0: 96.4 142.6

C0.0: 95.3 142.1

C90.0: 96.9 142.4

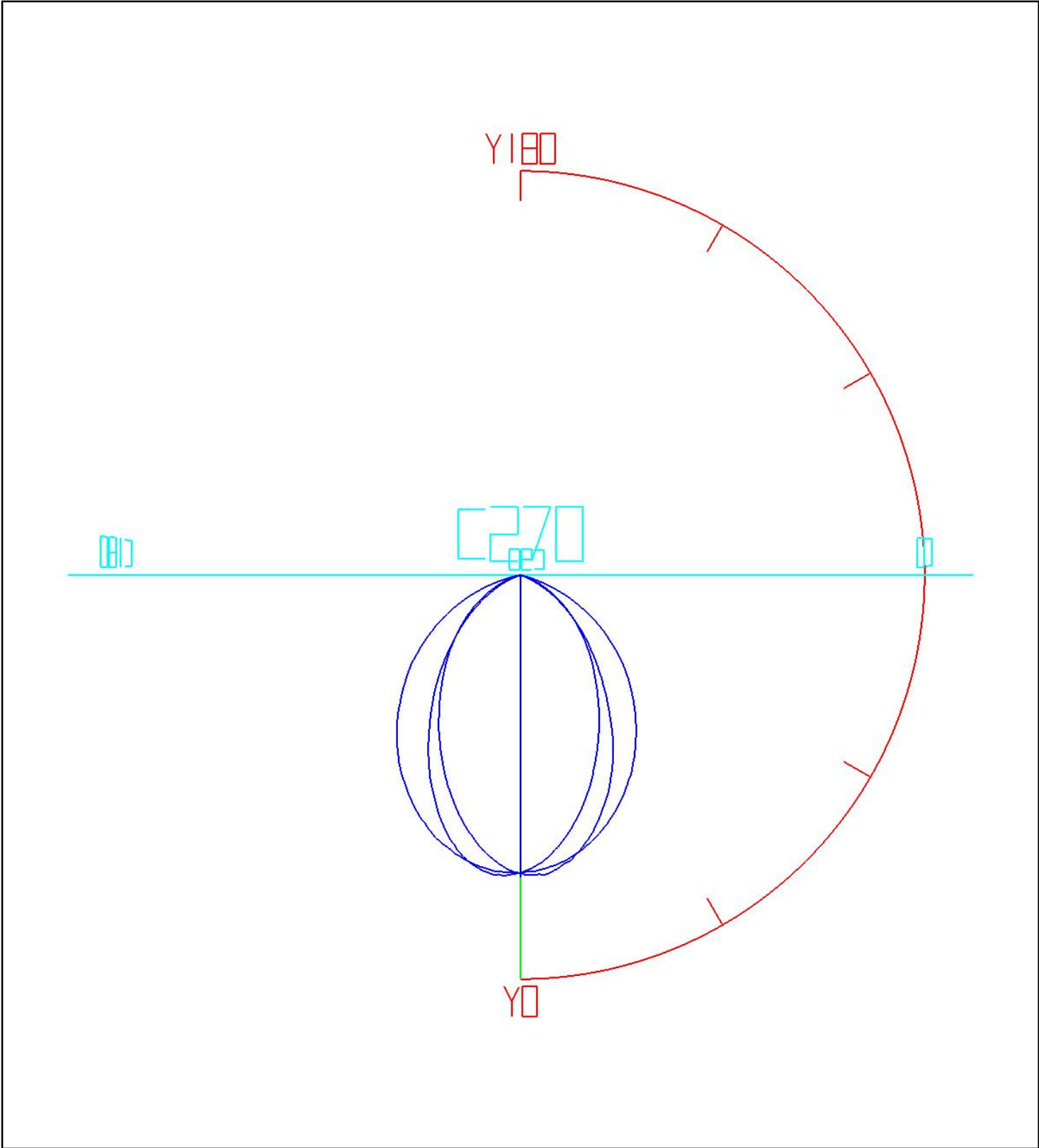
Polar Graph



C Plane: C135.0\_315.0 ——— C0.0\_180.0 ——— C90.0\_270.0 ———

γ Cone: γ2.0 ———

3D Light Intensity Distribution Curve

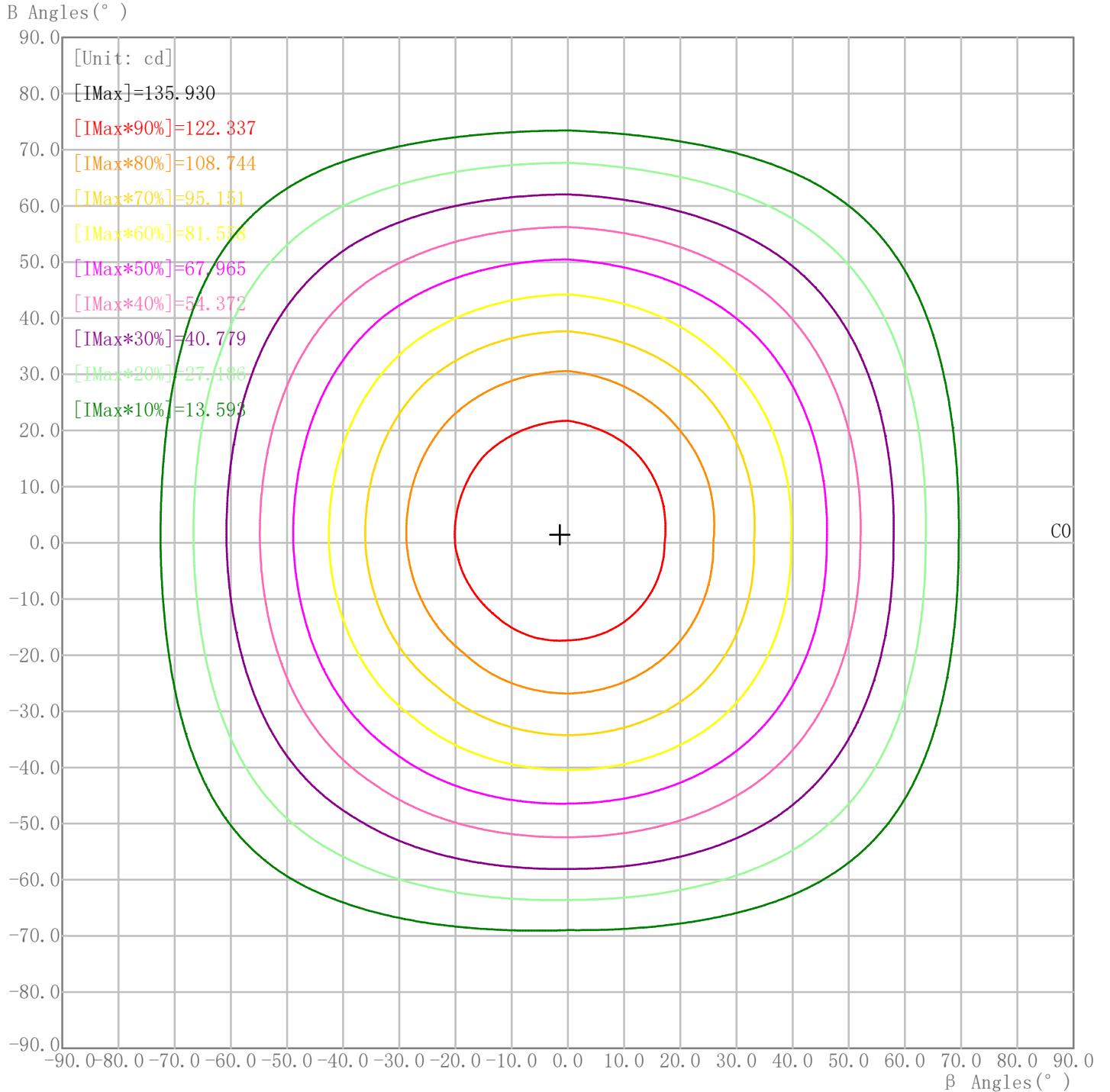


Curves: 3D Model ——— Fixture ——— Vert. HUD ——— Hori. HUD ———  
View Angles: Orient:0 Tilt:0 Roll:0 Spin:0

# IES Indoor Report

Photometric Filename: TT-2835-L1200-3000K-2-Frosted LENS.IES

## Rectangle ISO Light Intensity Curve



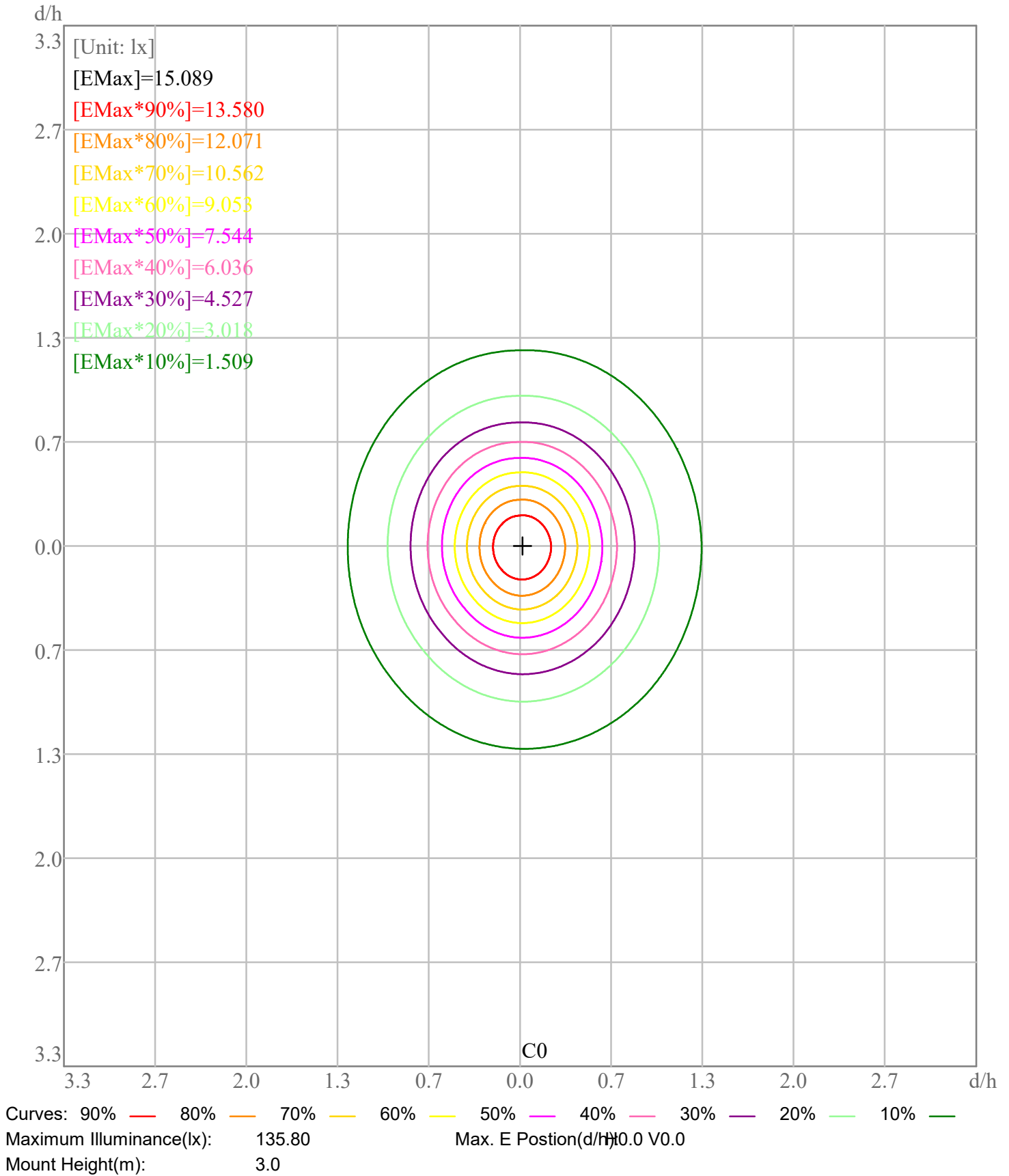
Curves: 90% — 80% — 70% — 60% — 50% — 40% — 30% — 20% — 10% —

Maximum Light Intensity(cd): 135.93 Maximum Cd. Angles: H-1.4 V1.4

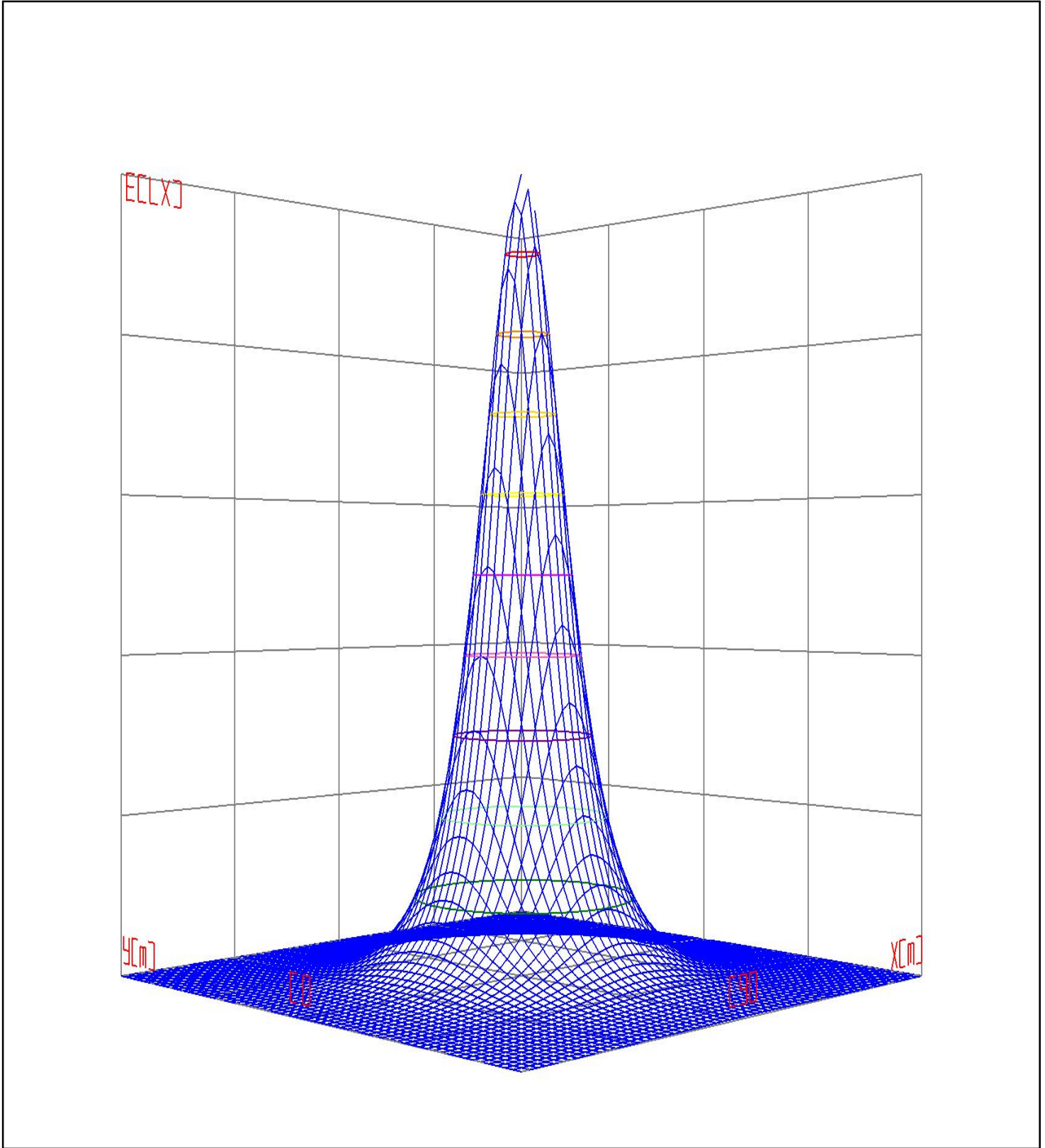
# IES Indoor Report

Photometric Filename: TT-2835-L1200-3000K-2-Frosted LENS.IES

## Plane ISO-Illuminance Curve



3D Plane ISO Illuminance Curve

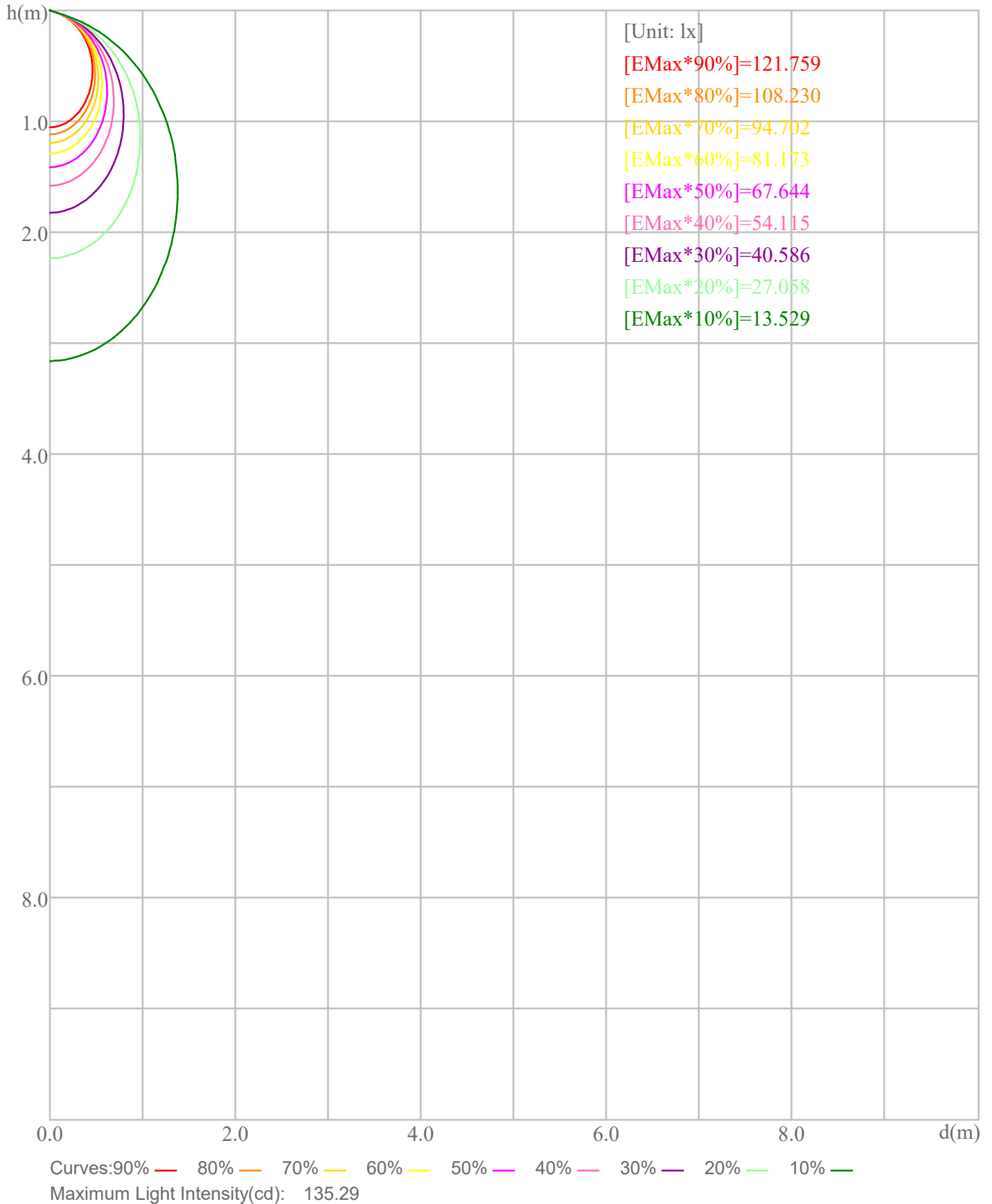


Curves: 3D Model — 90% — 80% — 70% — 60% — 50% — 40% — 30% — 20% — 10% —  
View Angles(deg): 0      Height(m): 3.0      Distance(m): 10.0

# IES Indoor Report

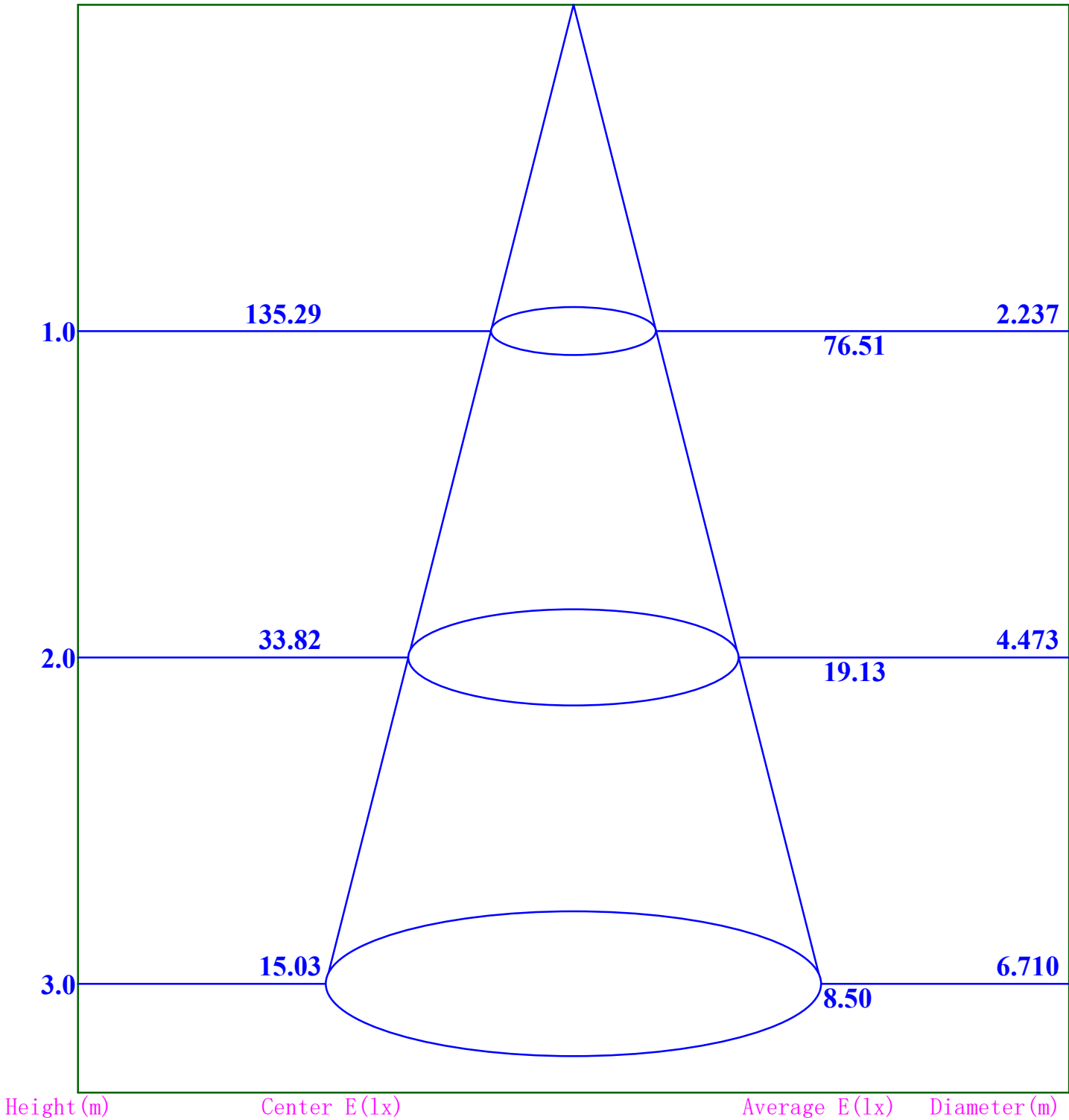
Photometric Filename: TT-2835-L1200-3000K-2-Frosted LENS.IES

## Space ISO Illuminance Curve





Illuminance-Distance Curve



**Beam Angle:96.4**

# IES Indoor Report

Photometric Filename:TT-2835-L1200-3000K-2-Frosted LENS.IES

## Indoor Luminance Limiting Curve

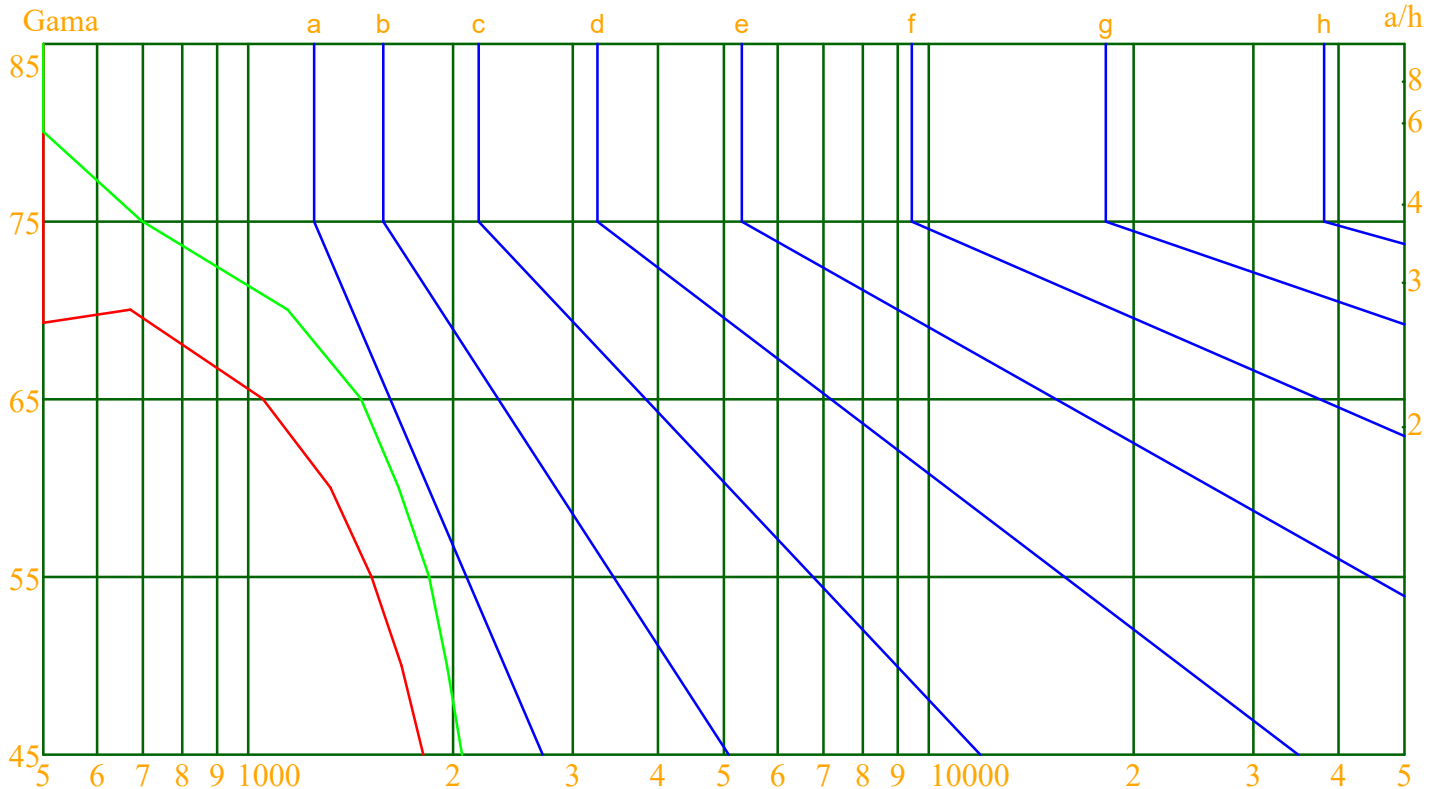
Glare Grade Table

GI	Quality	Using Illuminance							
		a	b	c	d	e	f	g	h
1.15	A	2000	1000	500	<=300				
1.5	B		2000	1000	500	<=300			
1.85	C			2000	1000	500	<=300		
2.2	D				2000	1000	500	<=300	
2.55	E					2000	1000	500	<=300
		a	b	c	d	e	f	g	h

Luminance Table

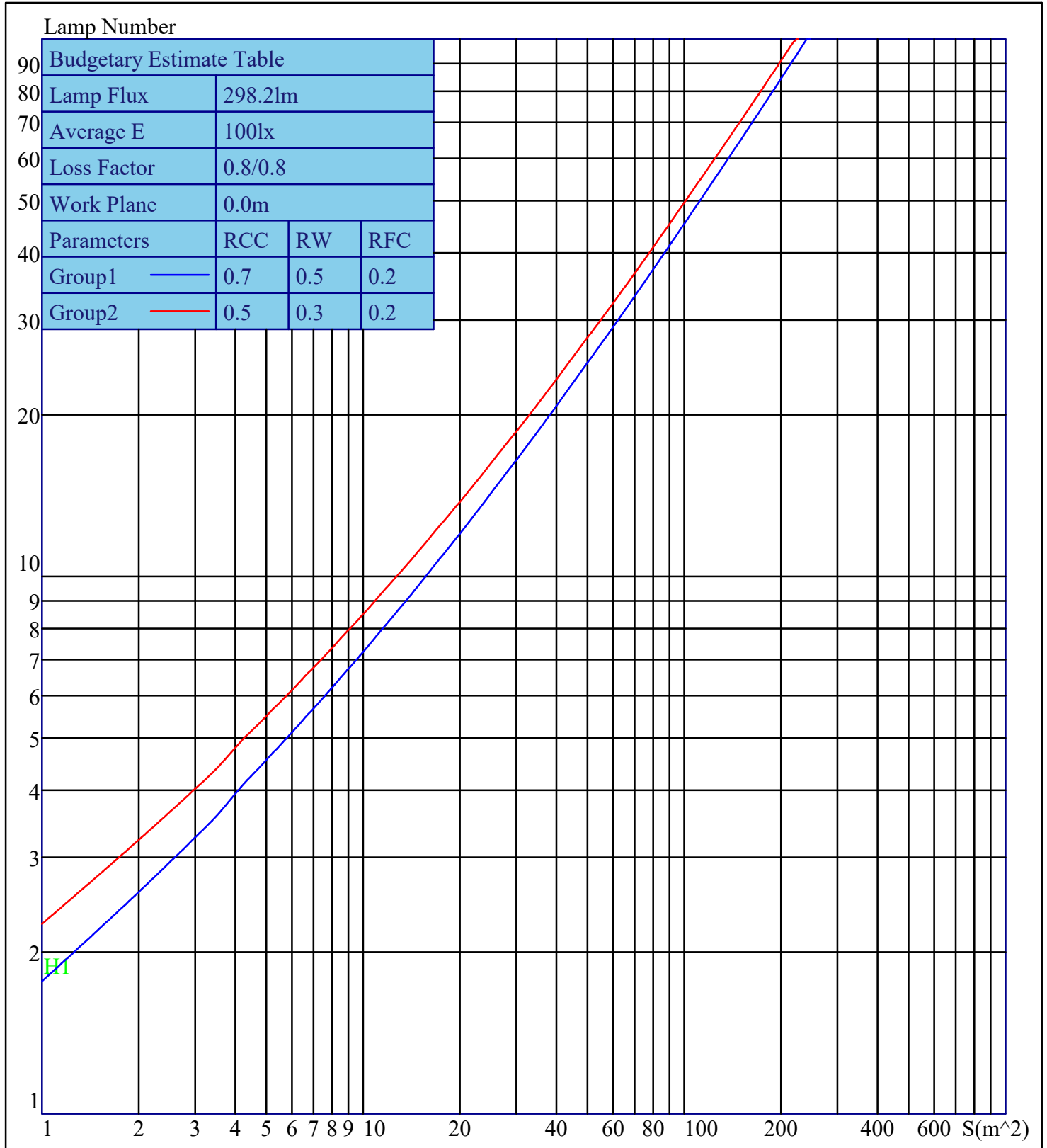
Gama(deg)	45	50	55	60	65	70	75	80	85
C0	1808	1679	1517	1320	1050	672	96	0	0
C90	2062	1959	1843	1663	1464	1143	697	0	0

Luminance Limiting Curve



Luminous Size: Length(m)=0.304    Width(m)=0.120    Height(m)=0.060    Area(m<sup>2</sup>)=0.054720  
 Luminous Type: Without Luminous Side  
 Luminous Curves: C0-C180 Color: —    C90-C270 Color: —

Indoor Budgetary Estimate Table



Parameters1: Rhocc = 0.7 Rhow = 0.5 Rhofc = 0.2 LLF = 0.8  
 Parameters2: Rhocc = 0.5 Rhow = 0.3 Rhofc = 0.2 LLF = 0.8  
 Average Illuminance(lx): 100 Cavity Height: H1(m) = 2