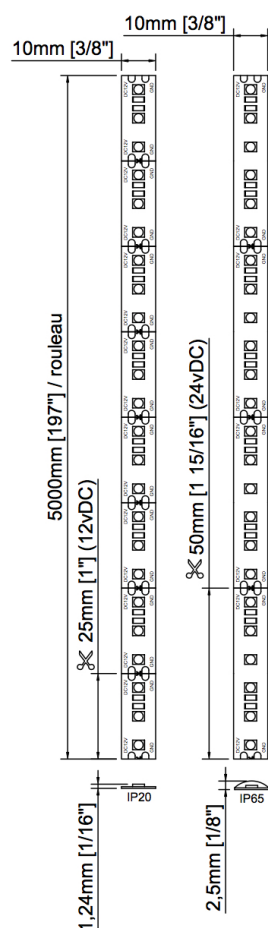


# TITANIUM

TECHNOLOGIE

TT-2835-L600



Tension	<b>12vDC</b>	<b>24vDC</b>
DEL/m	120 / m	
Puissance	16,4w / m 5w / pied 82w / rouleau	
Ampérage	1,37A / m 0,42A / pied 6,84A / rouleau	0,69A / m 0,21A / pied 3,42A / rouleau
Lumens	27K - 243 lm/ pied 30K - 221 lm/ pied 35K - 246 lm/ pied 40K - 218 lm/ pied 60K - 245 lm/ pied	61 lm/ w 49 lm/ w 57 lm/ w 51 lm/ w -
IRC (RA)	90	
Angle	120°	
Dimension	IP20	10mm x 1,25mm x 5000mm 3/8" x 1/16" x 1967/8"
	IP65	10mm x 2,5mm x 5000mm 3/8" x 1/8" x 1967/8"
	IP67	13mm x 5mm x 5000mm 1/2" x 3/16" x 1967/8"
Ligne de coupe	25 mm 1"	50 mm 2"
Finition	Blanc	
Gradable	Oui	
Couleur DEL	<b>27K</b> - Blanc chaud 2700K <b>30K</b> - Blanc chaud 3000K <b>35K</b> - Blanc neutre 3500K <b>40K</b> - Blanc neutre 4000K <b>60K</b> - Blanc froid 6000K <b>R</b> - Rouge <b>G</b> - Vert <b>B</b> - Bleu <b>CB</b> - Bleu IRCstal <b>A</b> - Ambre <b>O</b> - Orange <b>P</b> - Rose <b>UV</b> - UV 395~400nm <b>RGB</b> - Couleurs mixtes 3:1	
Temp. fonctionnement	-40°C ~ 70°C	
IP	<b>20, 65, 67</b>	

## CODE PRODUIT

TT	SMD	DEL PAR ROULEAU	IP	COULEUR DEL	TENSION
TT	2835	L600	20	27K	24V
TT	2835	L600			

# IES Indoor Report

Photometric Filename:TT-2835-L600-3000K-5-Smoke LENS.IES

## Indoor Luminaire Photometric Data

### Description Information

Luminaire Name: TT-2835-L600-3000K-5-Smoke lens	Luminaire Catalog:	Test ID:
Lamp Name: TT-2835-L600-3000K-5-Smoke lens	Lamp Catalog: 2835	Test Date: 2021/04/07
Manufacture: TITANIUM TECHNOLOGIE	ShieldingAngle(°):	Test Machine: GON-2000
Test Lab:	Frequency(Hz):	Luminaire CCT(K):
Luminaire Size(W*L*H): 0.120*0.304*0.060	Lighting Area(m2): 0.055	Luminaire Weight(kg): 0.100
Test System: C, $\gamma$	Test Step: C=45.0 $\gamma$ =1.0	Temperature(°C): 25
		Humidity(%):

### Character Parameter

Lamp Speciality Parameter	
Lamp Rated Lumens(lm): 448.000	Lamp Number in Luminaire: 1
Lamp Norminal Power(W):	Lamp Rated Voltage(V):
Lamp Tested Power(W): 4.238	Lamp Tested Voltage(V): 12.1
Lamp Tested Current(A): 0.351	Lamp Tested PF:
Lamp Size(W*L*H): 0.120*0.304*0.060	
Luminaire Speciality	
Luminaire Lumens(lm): 30.842	Beam Angle(10%Imax): 66.0
Luminaire Efficiency: 6.88%	Left=-33.8 Right=32.2
Luminaire EER(lm/W): 7.277	Field Angle(10%Imax): 99.7
Muximum Cand.(cd): 27.989	Spacing Criteria S/MH(C0_180): 0.959
Max Cd. Angle(°): C=45.0 $\gamma$ =1.0	Spacing Criteria S/MH(C90_270): 0.946
Downward Lumens(lm): 30.842	CIE Type: Semi-Direct
Upward Lumens(lm): 0.000	ErP $\phi$ use(90deg): 28.452lm
Downward Total Efficiency%: 100.00	IRF(%): 192.806
Upward Total Efficiency%: 0.00	

# IES Indoor Report

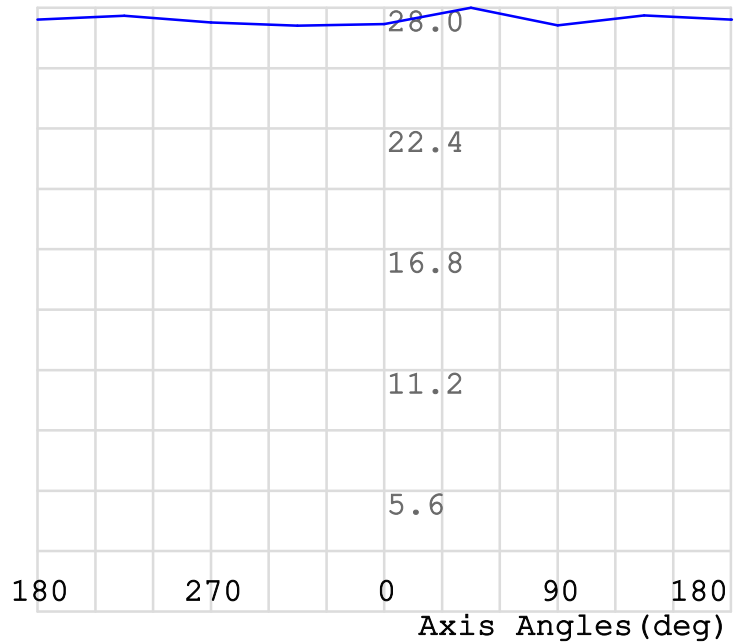
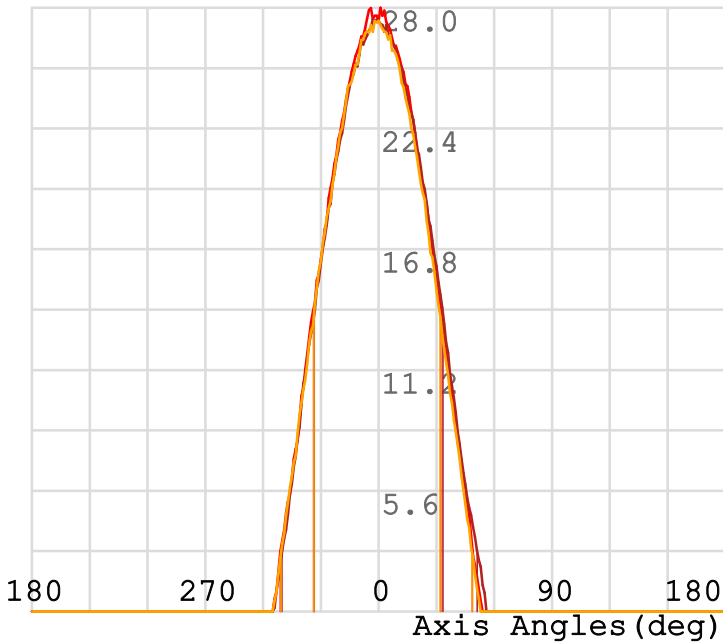
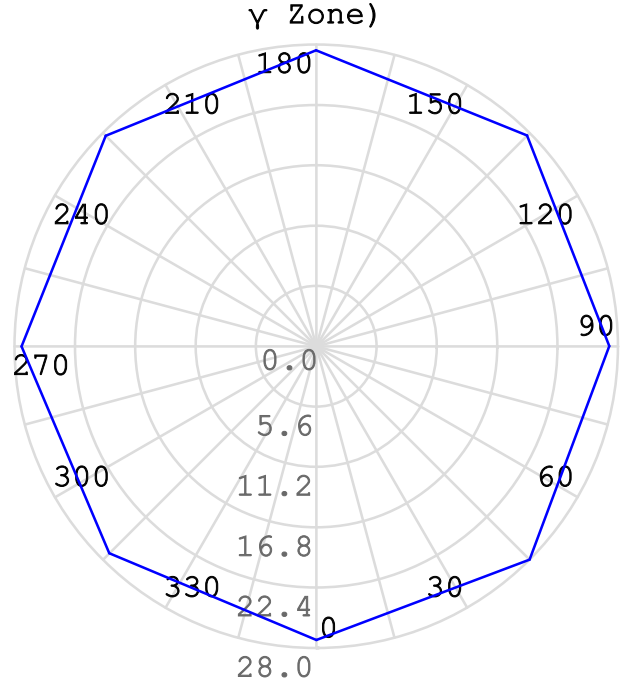
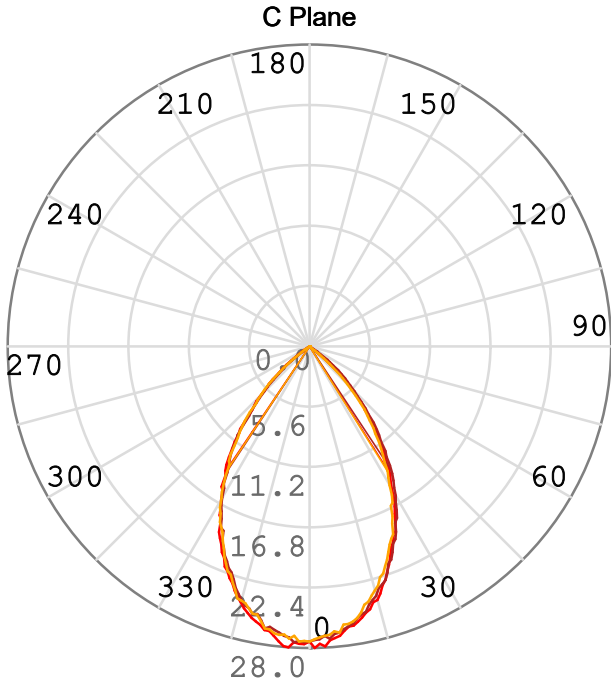
Photometric Filename: TT-2835-L600-3000K-5-Smoke LENS.IES

## 2D Light Intensity Distribution Curve

Plane [50%Ang.] [10%Ang.]

C45.0: 66.0 99.7  
 C0.0: 66.8 101.4  
 C90.0: 65.5 99.1

Polar Graph

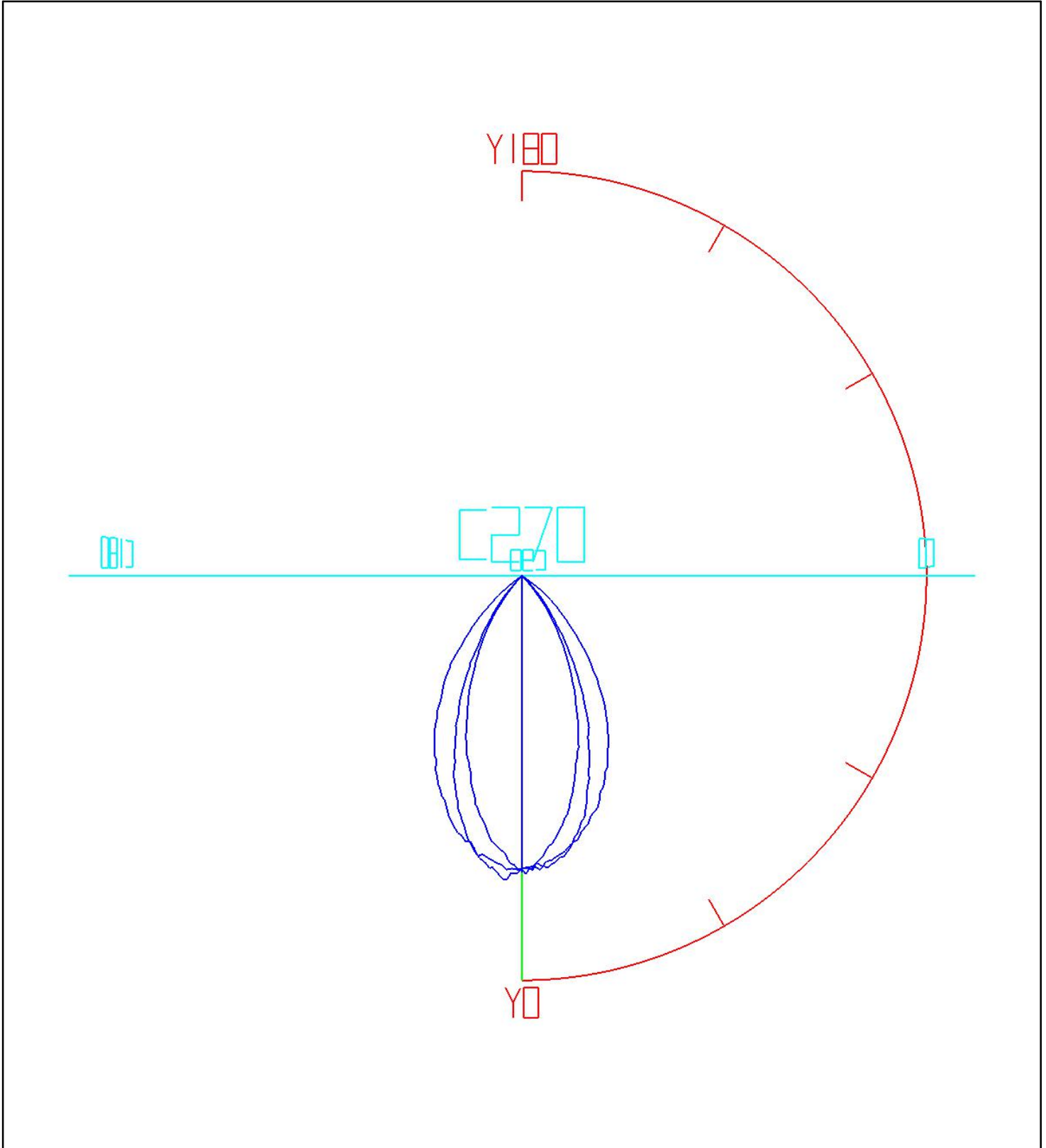


C Plane: C45.0\_225.0 ——— C0.0\_180.0 ——— C90.0\_270.0 ———  
 γ Cone: γ1.0 ———

# IES Indoor Report

Photometric Filename: TT-2835-L600-3000K-5-Smoke LENS.IES

## 3D Light Intensity Distribution Curve

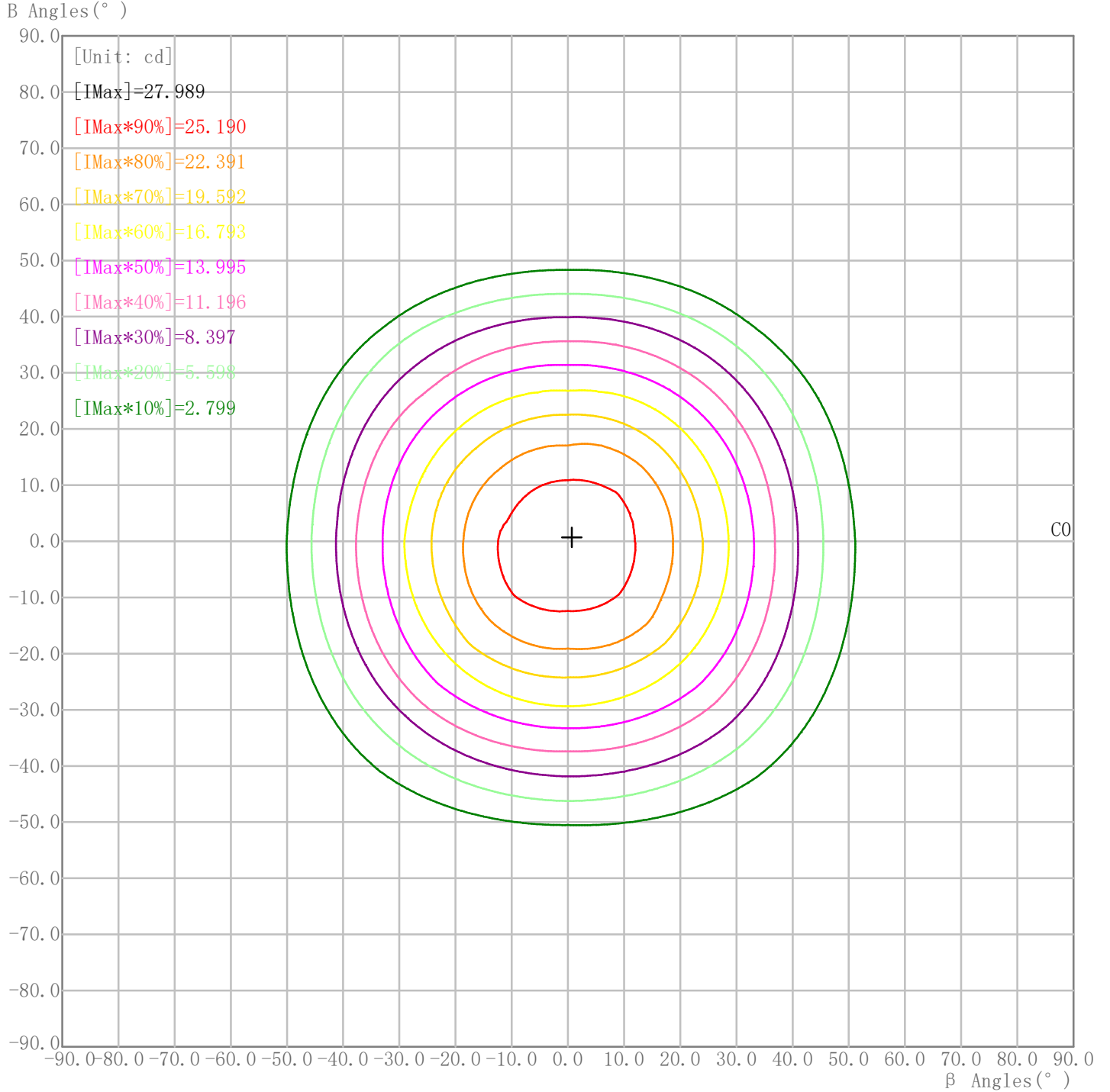


Curves: 3D Model ——— Fixture ——— Vert. HUD ——— Hori. HUD ———  
View Angles: Orient:0 Tilt:0 Roll:0 Spin:0

# IES Indoor Report

Photometric Filename: TT-2835-L600-3000K-5-Smoke LENS.IES

## Rectangle ISO Light Intensity Curve



Curves: 90% — 80% — 70% — 60% — 50% — 40% — 30% — 20% — 10% —

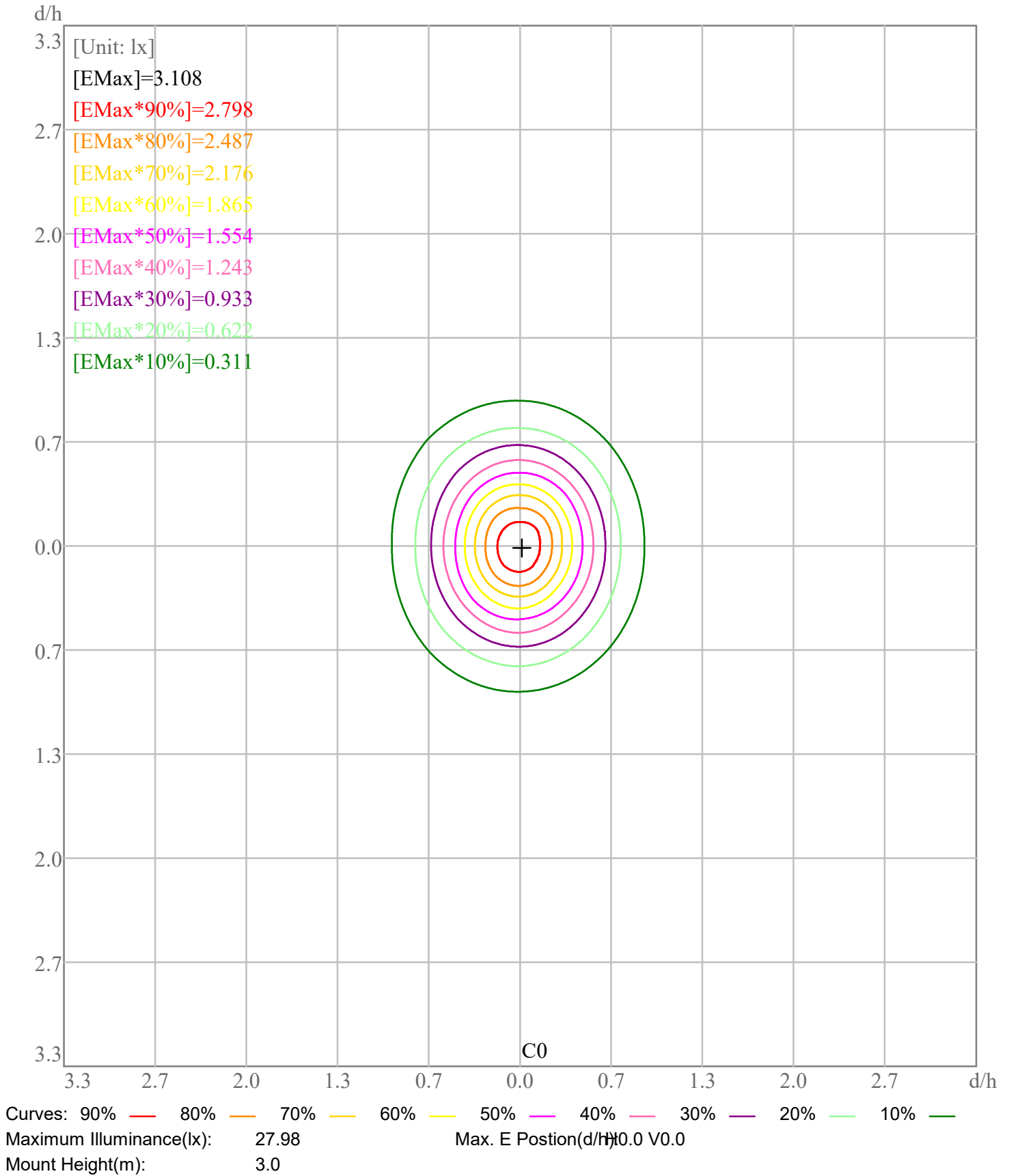
Maximum Light Intensity(cd): 27.99

Maximum Cd. Angles: H0.7 V0.7

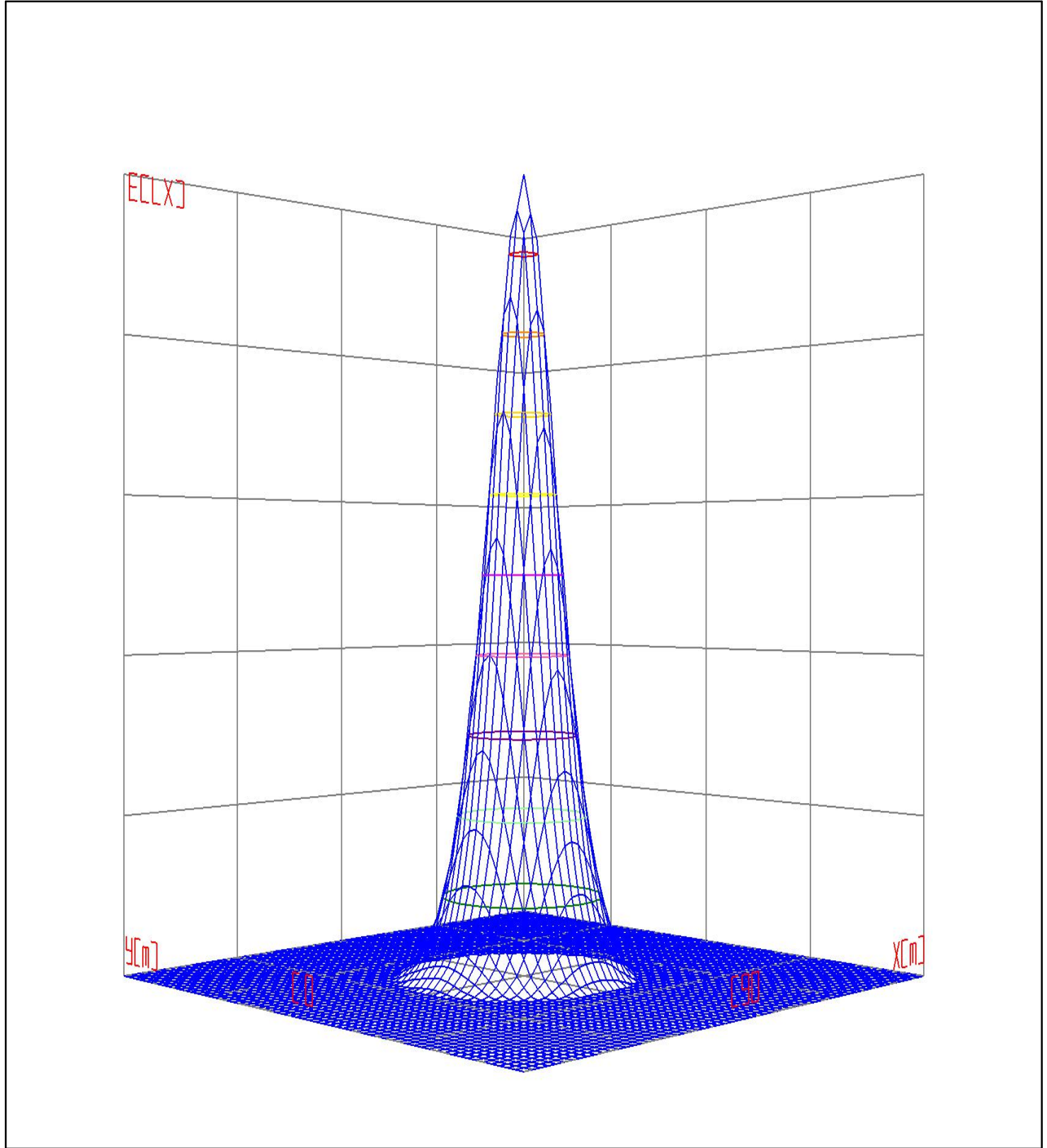
# IES Indoor Report

Photometric Filename: TT-2835-L600-3000K-5-Smoke LENS.IES

## Plane ISO-Illuminance Curve



3D Plane ISO Illuminance Curve

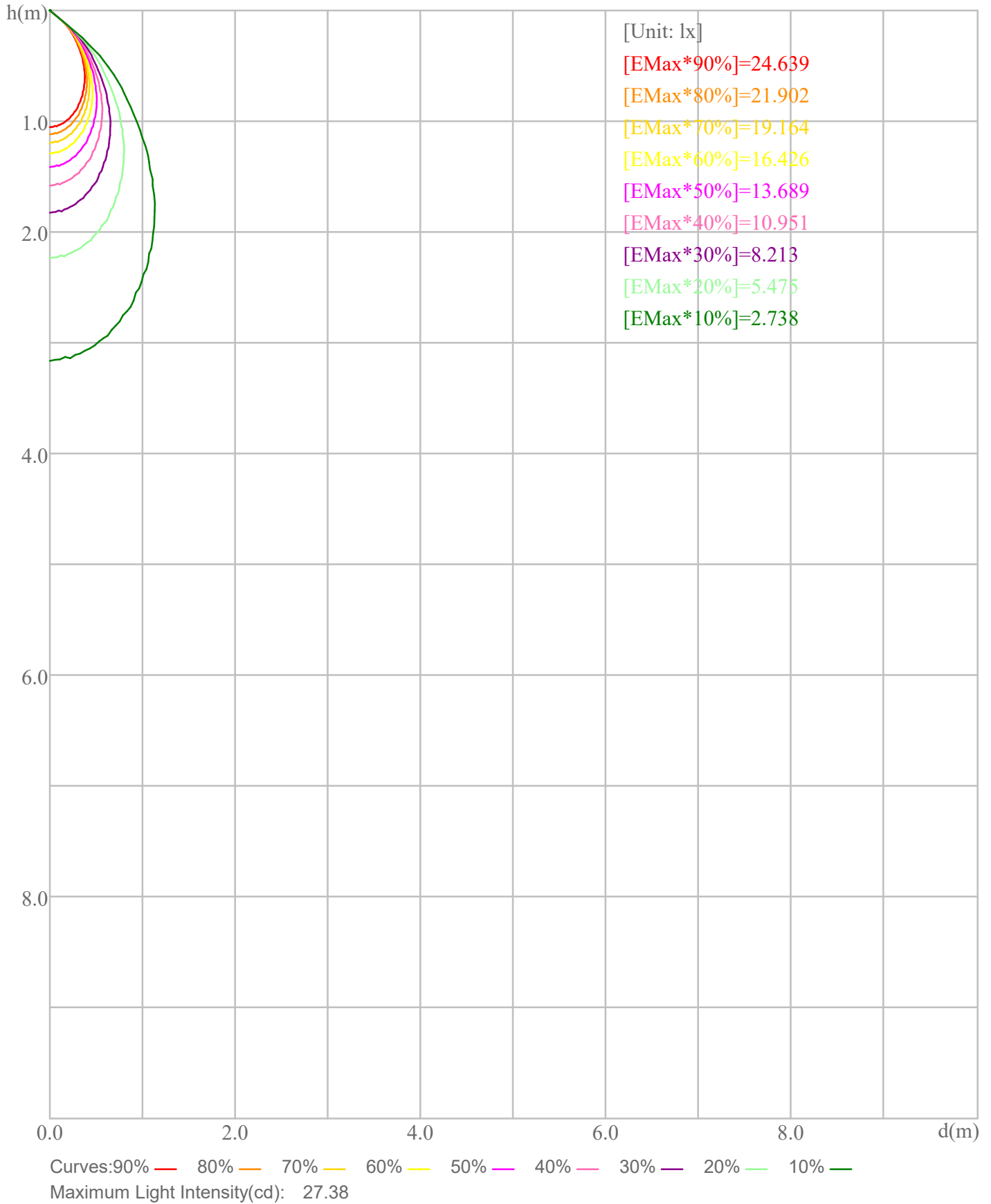


Curves: 3D Model — 90% — 80% — 70% — 60% — 50% — 40% — 30% — 20% — 10%  
View Angles(deg): 0      Height(m): 3.0      Distance(m): 10.0

# IES Indoor Report

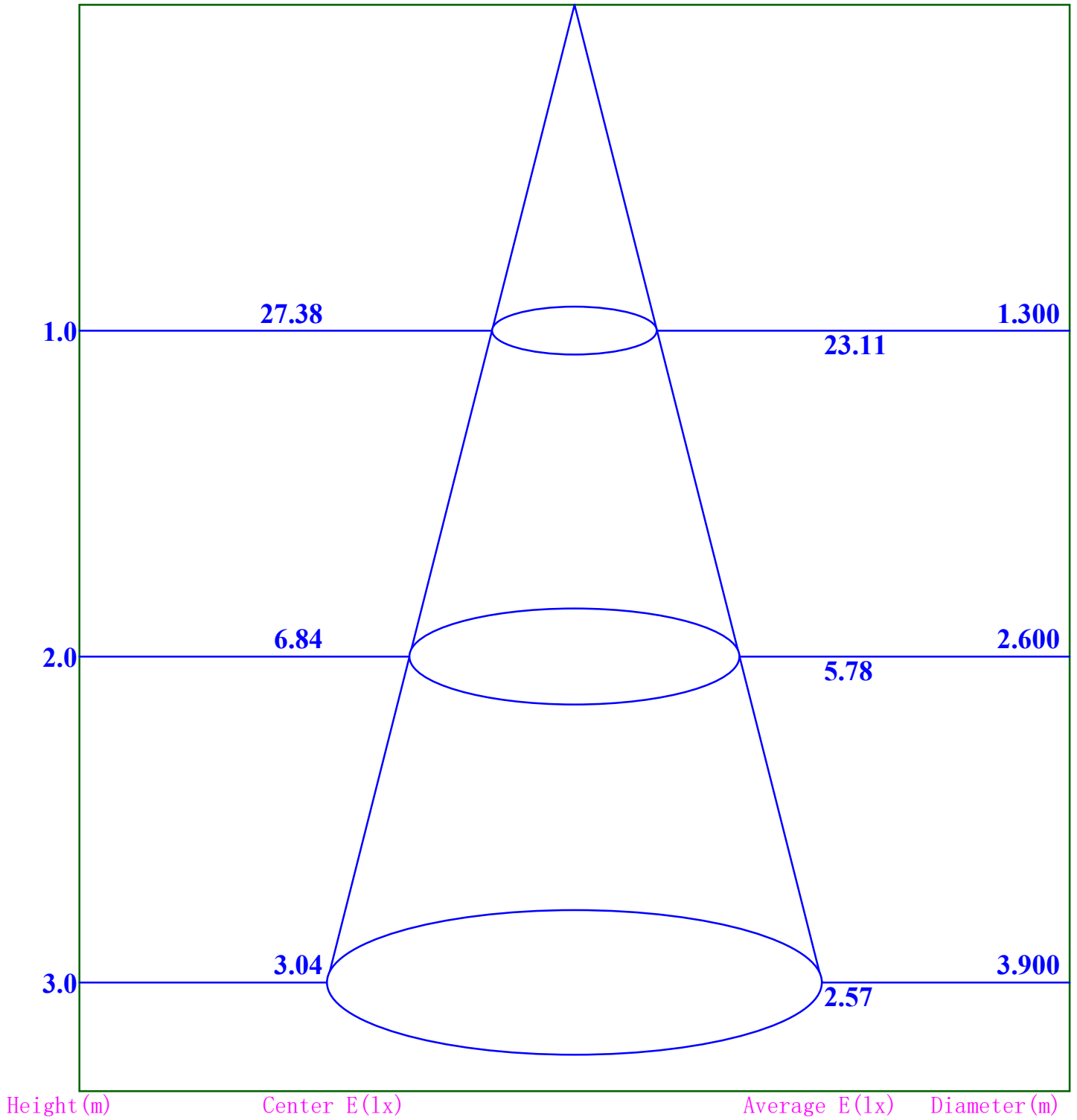
Photometric Filename: TT-2835-L600-3000K-5-Smoke LENS.IES

## Space ISO Illuminance Curve





Illuminance-Distance Curve



**Beam Angle:66.0**

# IES Indoor Report

Photometric Filename:TT-2835-L600-3000K-5-Smoke LENS.IES

## Indoor Luminance Limiting Curve

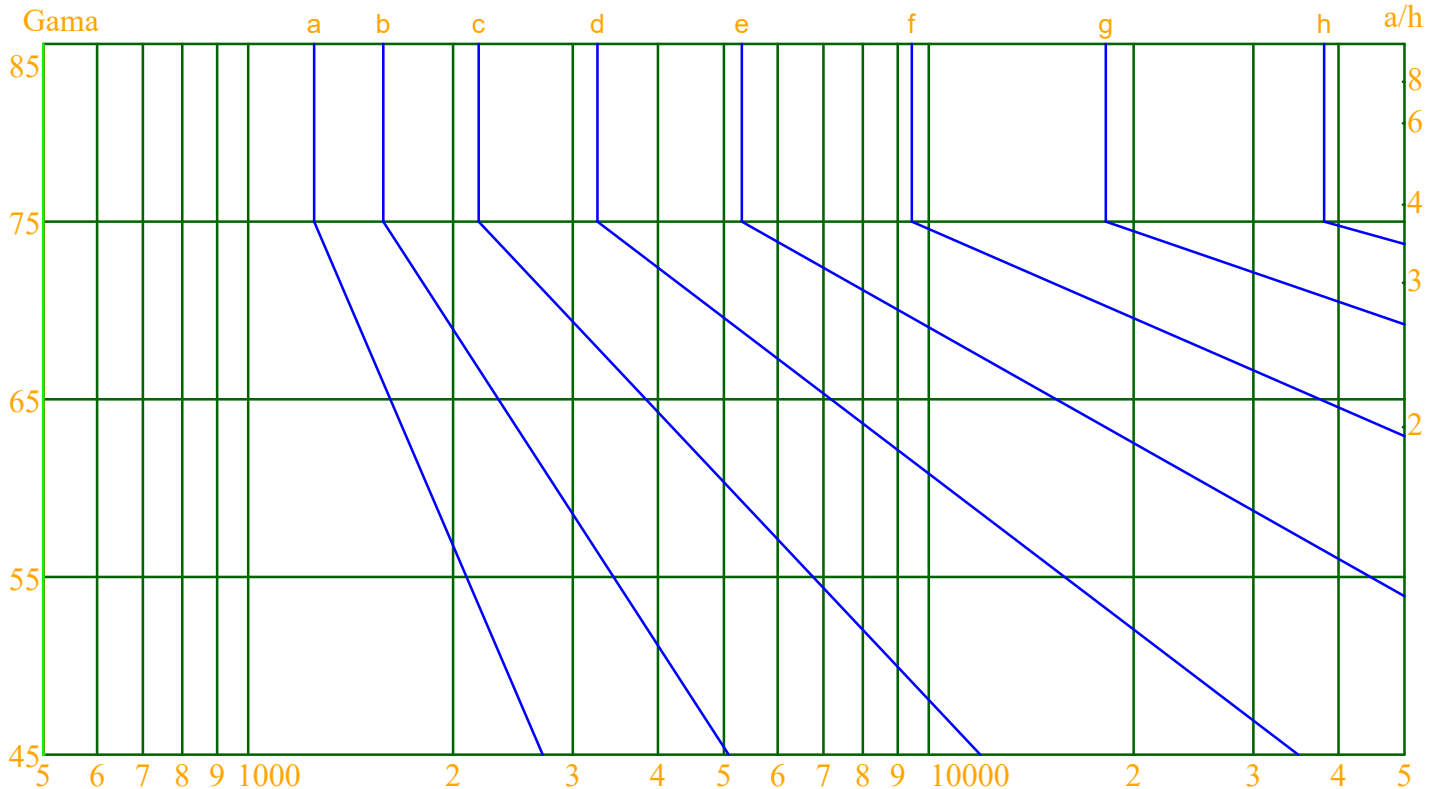
Glare Grade Table

GI	Quality	Using Illuminance							
		a	b	c	d	e	f	g	h
1.15	A	2000	1000	500	<=300				
1.5	B		2000	1000	500	<=300			
1.85	C			2000	1000	500	<=300		
2.2	D				2000	1000	500	<=300	
2.55	E					2000	1000	500	<=300
		a	b	c	d	e	f	g	h

Luminance Table

Gama(deg)	45	50	55	60	65	70	75	80	85
C0	152	98	28	0	0	0	0	0	0
C90	128	49	0	0	0	0	0	0	0

Luminance Limiting Curve

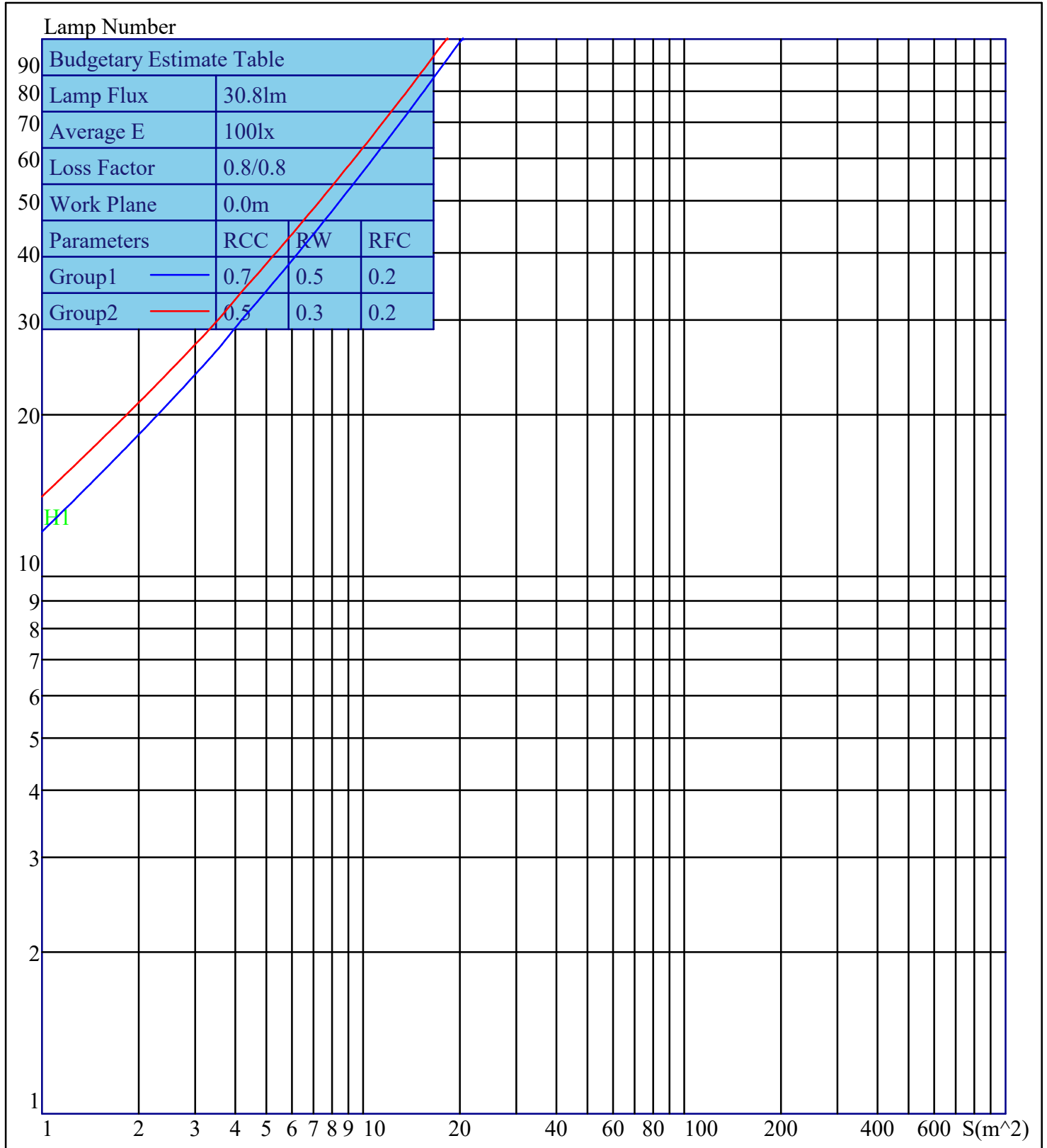


Luminous Size: Length(m)=0.304    Width(m)=0.120    Height(m)=0.060    Area(m<sup>2</sup>)=0.054720  
 Luminous Type: Without Luminous Side  
 Luminous Curves: C0-C180 Color: —    C90-C270 Color: —

# IES Indoor Report

Photometric Filename: TT-2835-L600-3000K-5-Smoke LENS.IES

## Indoor Budgetary Estimate Table



Parameters1: Rhocc = 0.7 Rhow = 0.5 Rhofc = 0.2 LLF = 0.8  
 Parameters2: Rhocc = 0.5 Rhow = 0.3 Rhofc = 0.2 LLF = 0.8  
 Average Illuminance(lx): 100 Cavity Height: H1(m) = 2