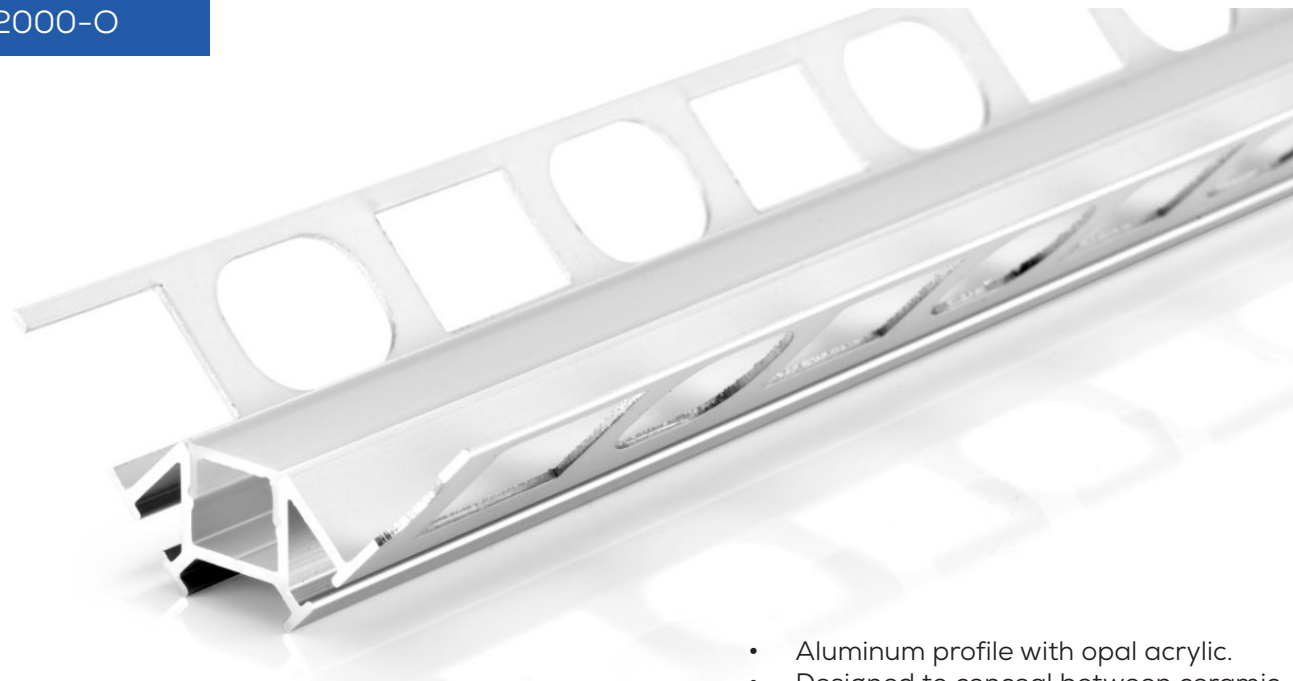


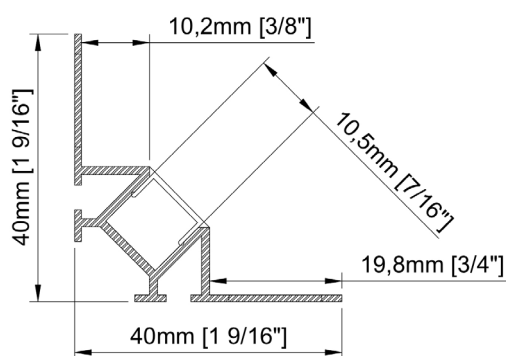
# TITANIUM

TECHNOLOGY

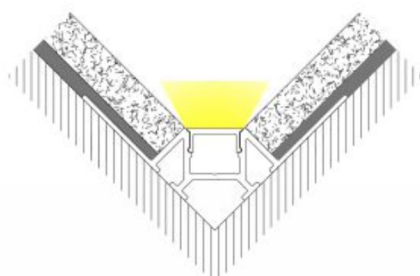
TT-44-2000-O



- Aluminum profile with opal acrylic.
- Designed to conceal between ceramic wall tiles.
- Available in lengths 2000 mm (78<sup>3</sup>/<sub>4</sub> ").



Size	40mm x 40mm x 2000mm 1 <sup>9</sup> / <sub>16</sub> " x 1 <sup>9</sup> / <sub>16</sub> " x 78 <sup>3</sup> / <sub>4</sub> "
Length	2000mm 78 <sup>3</sup> / <sub>4</sub> "
Internal width	10,5mm 7/ <sub>16</sub> "
Cover	PC diffused



## Accessories



## PRODUCT CODE

TT	-	MODEL	-	LENGTH (mm)	-	COVER
TT	-	44	-	2000	-	O