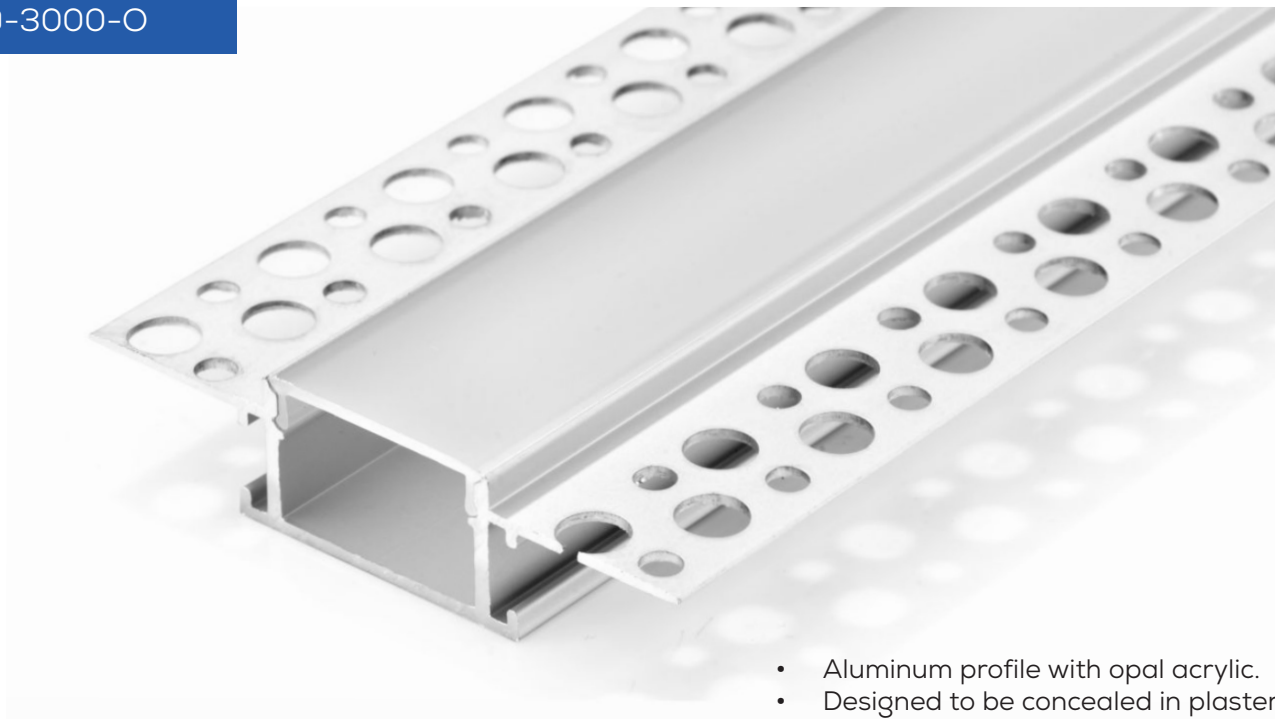


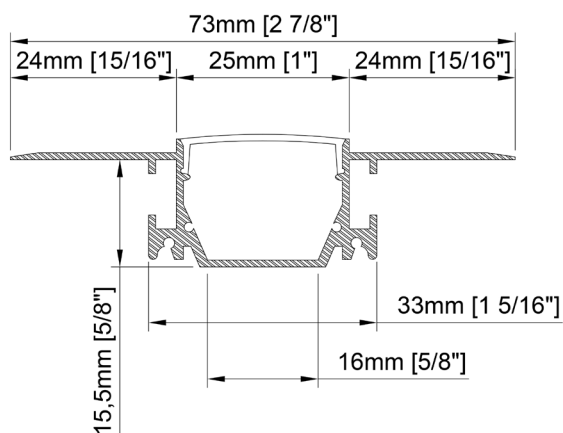
TITANIUM

TECHNOLOGY

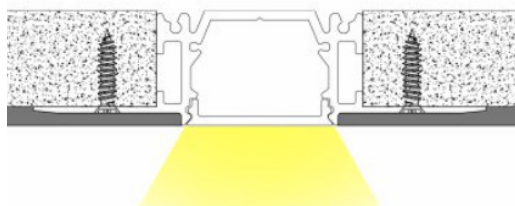
TT-29-3000-O



- Aluminum profile with opal acrylic.
- Designed to be concealed in plaster walls.
- Available in lengths 3000 mm (118¹/₈ ").



Size	25mm x 18,5mm x 3000mm 3/8" x 3/4" x 118 ¹ / ₈ "
Length	3000 mm 118 ¹ / ₈ "
Internal width	16mm 5/8"
Cover	PC diffused



Accessories



TT-29-END

PRODUCT CODE

TT	-	MODEL	-	LENGTH (mm)	-	COVER
TT	-	29	-	3000	-	O