

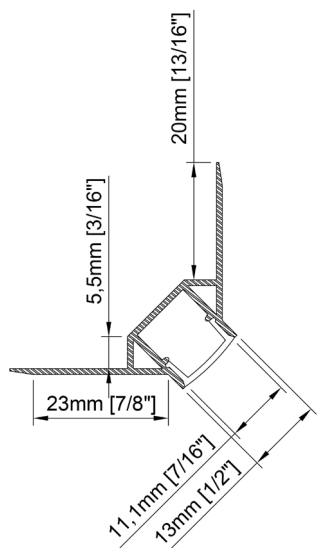
TITANIUM

TECHNOLOGY

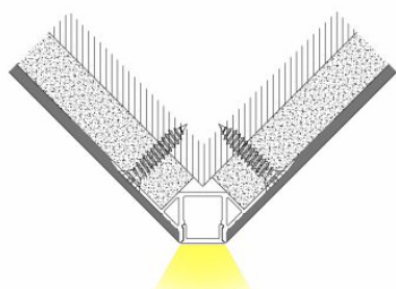
TT-27-3000-O



- Aluminum profile with opal acrylic.
- Designed to be concealed in plaster walls.
- Available in lengths 3000 mm (118¹/₈ ").



Size	13mm x 14mm x 3000mm $\frac{3}{8}'' \times \frac{9}{16}'' \times 118\frac{1}{8}''$
Length	3000 mm $118\frac{1}{8}''$
Internal width	11,1mm $\frac{7}{16}''$
Cover	PC diffused



Accessories



TT-27-END

PRODUCT CODE

TT	-	MODEL	-	LENGTH (mm)	-	COVER
TT	-	27	-	3000	-	O