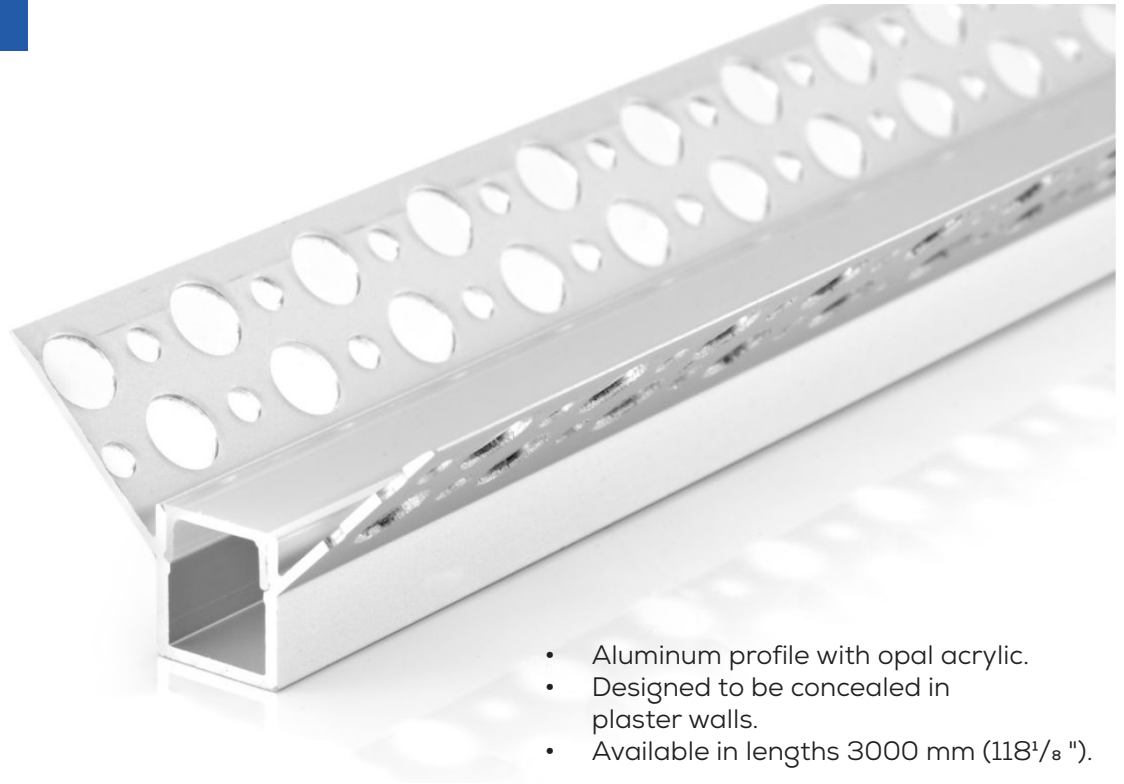


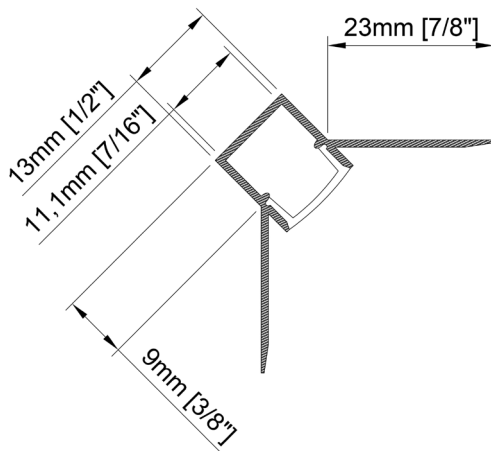
TITANIUM

TECHNOLOGY

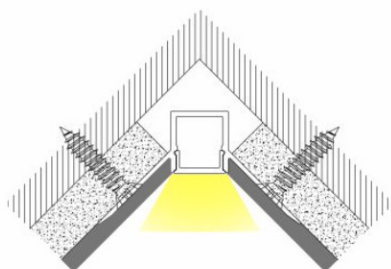
TT-26-3000-O



- Aluminum profile with opal acrylic.
- Designed to be concealed in plaster walls.
- Available in lengths 3000 mm (118¹/₈ ").



Size	13mm x 14mm x 3000mm $\frac{3}{8}'' \times \frac{9}{16}'' \times 118\frac{1}{8}''$
Length	3000 mm $118\frac{1}{8}''$
Internal width	11,1mm $\frac{7}{16}''$
Cover	PC diffused



Accessories



TT-26-END

PRODUCT CODE

TT - MODEL - LENGHT (mm) - COVER

TT - 26 - 3000 - O