

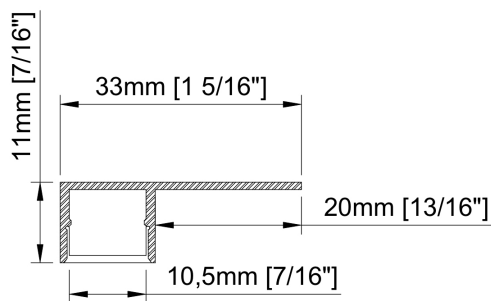
TITANIUM

TECHNOLOGY

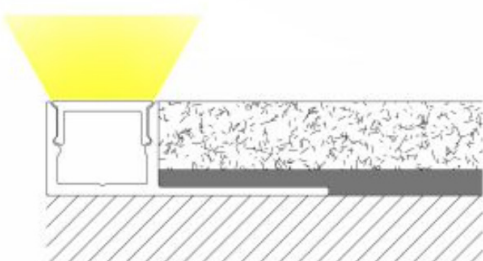
TT-43-2000-O



- Aluminum profile with opal acrylic.
- Designed to conceal between ceramic wall tiles.
- Available in lengths 2000 mm (78³/₄ ").



Size	33mm x 11mm x 2000mm 1 ⁵ / ₁₆ " x 7/ ₁₆ " x 78 ³ / ₄ "
Lenght	2000mm 78 ³ / ₄ "
Internal width	10,5mm 7/ ₁₆ "
Cover	PC diffused



Accessories



TT-43-END

PRODUCT CODE

TT - MODEL - LENGHT (mm) - COVER

TT - 43 - 2000 - O