

TITANIUM

TECHNOLOGY



Controls
2024



Credit photo: Pub universitaire

TT-U-E4S Page 8

Voltage (vDC)	Power (W)	Description
12	36	Touch panel
24	72	



TT-U-E5S Page 9

Voltage (vDC)	Power (W)	Description
12	36	Touch panel
24	72	



TT-UB1 Page 10

Voltage (vDC)	Power (W)	Description
12, 24	-	Touch panel



TT-UB4 Page 11

Voltage (vDC)	Power (W)	Description
12, 24	-	Touch panel



TT-UB5 Page 12

Voltage (vDC)	Power (W)	Description
12, 24	-	Touch panel



TT-Q4 Page 13

Voltage (vDC)	Power (W)	Description
-	-	Remote



TT-Q5 Page 13

Voltage (vDC)	Power (W)	Description
-	-	Remote



TT-RC4 Page 14

Voltage (vDC)	Power (W)	Description
-	-	Remote



TT-U-M1 Page 15

Voltage (vDC)	Power (W)	Description
12	60	Remote
24	120	



TT-U-M1-MINI Page16

Voltage (vDC)	Power (W)	Description
12	36	Remote
24	72	



TT-U-M3-MINI Page17

Voltage (vDC)	Power (W)	Description
12	36	Remote
24	72	



TT-U-M4 Page18

Voltage (vDC)	Power (W)	Description
12	60	Remote
24	120	



TT-U-M5-MINI Page19

Voltage (vDC)	Power (W)	Description
12	36	Remote
24	72	



TT-U-M6 Page20

Voltage (vDC)	Power (W)	Description
12	60	Remote
24	120	



TT-Y-5C-4A Page21

Voltage (vDC)	Power (W)	Description
12	48	Receiver
24	96	



TT-Y-5C-6A Page22

Voltage (vDC)	Power (W)	Description
12	96	Receiver
48	192	



TT-Y-R-CCT Page23

Voltage (vDC)	Power (W)	Description
-	-	Remote



TT-Y-R-M Page 24

Voltage (vDC)	Power (W)	Description
-	-	Remote



TT-Y-R-RGBCCT Page 25

Voltage (vDC)	Power (W)	Description
-	-	Remote



TT-Y-R-RGBW Page 26

Voltage (vDC)	Power (W)	Description
-	-	Remote



TT-Y-W1-CCT Page 27

Voltage (vDC)	Power (W)	Description
-	-	Wall Remote



TT-Y-W1-M Page 28

Voltage (vDC)	Power (W)	Description
-	-	Wall Remote



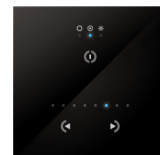
TT-Y-W1-RGBW Page 29

Voltage (vDC)	Power (W)	Description
-	-	Wall Remote



TT-STICK-GU2 Page 30

Voltage (vDC)	Power (W)	Description
5 - 12	-	Touch panel



TT-STICK-GA2 Page 30

Voltage (vDC)	Power (W)	Description
5 - 12	-	Touch panel



TT-STICK-CW4 Page 30

Voltage (vDC)	Power (W)	Description
5 ~ 15	-	Touch panel



TT-STICK-DE3 Page 30

Voltage (vDC)	Power (W)	Description
5 ~ 6	-	Touch panel



TT-STICK-KE2 Page 30

Voltage (vDC)	Power (W)	Description
5 ~ 6	-	Touch panel



TT-SUITE3-BC Page 31

Voltage (vDC)	Power (W)	Description
5	-	Sunlite



TT-SUITE3-EC Page 31

Voltage (vDC)	Power (W)	Description
5	-	Sunlite



TT-SLESA-U11 Page 32

Voltage (vDC)	Power (W)	Description
5	-	Sunlite



TT-SLESA-U10 Page 32

Voltage (vDC)	Power (W)	Description
5	-	Sunlite



TT-SLESA-U9 Page 32

Voltage (vDC)	Power (W)	Description
5	-	Sunlite



TT-DMX-4C Page 33

Voltage (vDC)	Power (W)	Description
5	30	DMX
12	72	
24	144	



TT-DMX-5C Page 34

Voltage (vDC)	Power (W)	Description
12	60	DMX
24	120	



TT-DMX-32C Page 35

Voltage (vDC)	Power (W)	Description
12	36	DMX
24	72	



TT-AMP-4-32 Page 36

Voltage (vDC)	Power (W)	Description
5	40	Amplifier
12	96	
24	192	



TT-AMP-5-50 Page 37

Voltage (vDC)	Power (W)	Description
5	50	Amplifier
12	120	
24	240	



TT-DMX-OPTO Page 38

Voltage (vDC)	Power (W)	Description
12	8	DMX
24		



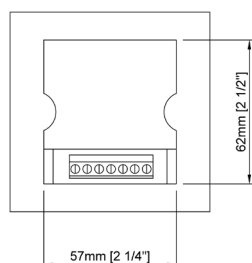
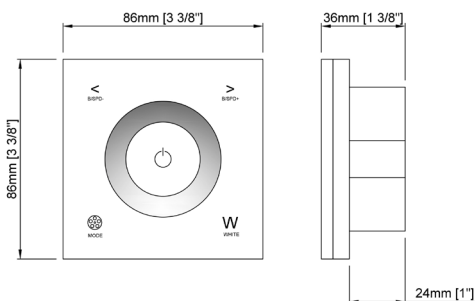
TITANIUM

TECHNOLOGY

TT-U-E4S



- One RGBW zone touch panel Controller.
- Connects directly to 12vDC or 24vDC.
- 4A per channel, 16A maximum.
- Install to the wall with a European-style connection box T-T-BOX-03.



Voltage	12vDC	24vDC
Power per channel	36w	72w
Amperage per channel	3A	3A
Channel	4	
Finish	White	
Dimmable	Yes	
Size	86mm x 86mm x 36mm 3 ³ / ₈ " x 3 ³ / ₈ " x 1 ³ / ₈ "	
IP	20	

Accessories



TT-BOX-03



TT-Q4

PRODUCT CODE

TT - TYPE - MODEL

TT - U - E4S

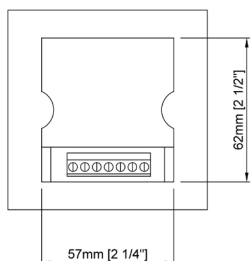
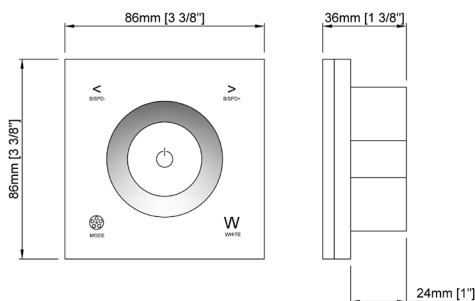
TITANIUM

TECHNOLOGY

TT-U-E5S



- One RGB+CCT zone touch panel Controller.
- Connects directly to 12vDC or 24vDC.
- 3A per channel, 12A maximum.
- Install to the wall with a European-style connection box TT-BOX-03.



Voltage	12vDC	24vDC
Power per channel	36w	72w
Amperage per channel	3A	3A
Channel	5	
Finish	White	
Dimmable	Yes	
Size	86mm x 86mm x 36mm 3 ³ / ₈ " x 3 ³ / ₈ " x 1 ³ / ₈ "	
IP	20	

Accessories



TT-BOX-03



TT-Q5

PRODUCT CODE

TT	-	TYPE	-	MODEL
TT	-	U	-	E5S

TITANIUM

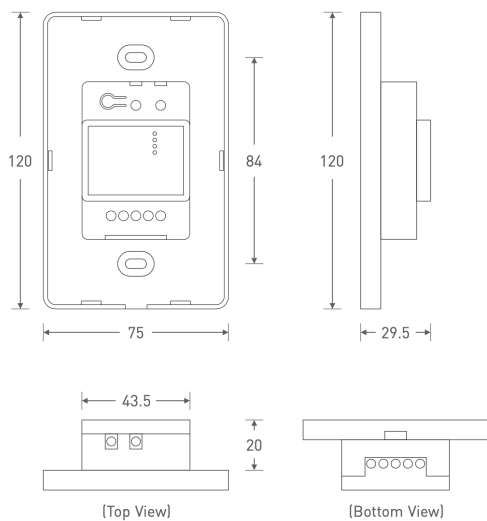
TECHNOLOGY

TT-UB1



- Touch panel
- Control 1 color
- 4 Zones
- 4 Scene keys
- Control by app

Voltage	12vDC, 24vDC
Wireless protocol	Bluetooth 5.0 Sig Mesh
Output signal	DMX
Zones	4
Size	120 mm X 75 mm X 30 mm 4 ³ / ₄ " X 2 ¹⁵ / ₁₆ " X 1 ³ / ₁₆ "



PRODUCT CODE

TT	-	MODEL
TT	-	UB1

TITANIUM

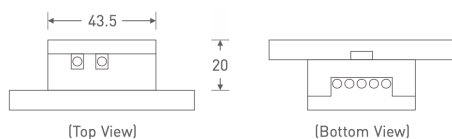
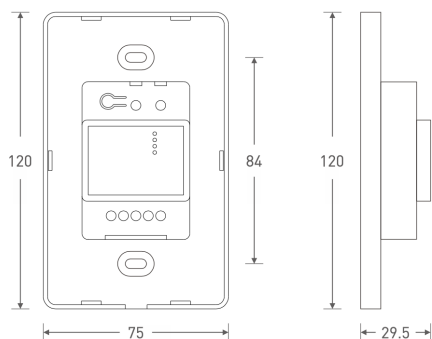
TECHNOLOGY

TT-UB4



- Touch panel
- Control RGBW
- 4 Zones
- 4 Scene keys
- Control by app

Voltage	12vDC, 24vDC
Wireless protocol	Bluetooth 5.0 Sig Mesh
Output signal	DMX
Zones	4
Size	120 mm X 75 mm X 30 mm 4 ³ / ₄ " X 2 ¹⁵ / ₁₆ " X 1 ³ / ₁₆ "



Accessories



PRODUCT CODE

TT	-	MODEL
TT	-	UB4

TITANIUM

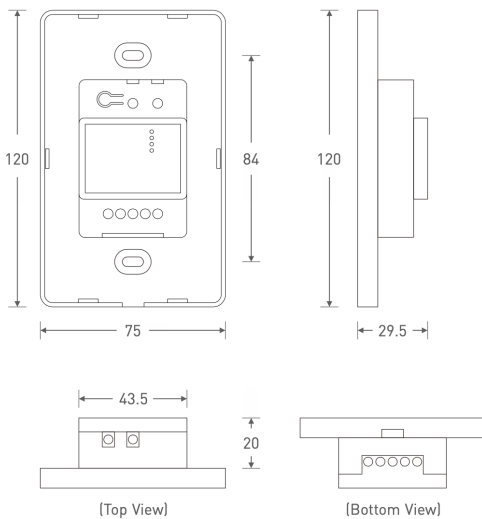
TECHNOLOGY

TT-UB5



- Touch panel
- Control RGCCT
- 4 Zones
- 4 Scene keys
- Control by app

Voltage	12vDC, 24vDC
Wireless protocol	Bluetooth 5.0 Sig Mesh
Output signal	DMX
Zones	4
Size	120 mm X 75 mm X 30 mm 4 ³ / ₄ " X 2 ¹⁵ / ₁₆ " X 1 ³ / ₁₆ "



PRODUCT CODE

TT	-	MODEL
TT	-	UB5

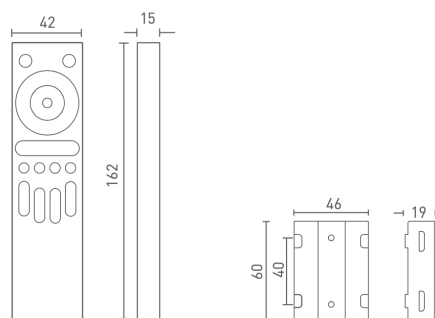
TITANIUM

TECHNOLOGY

TT-Q4



- 4 zones control RGBW
- RF 2,4 GHz
- Work with TT-U-E4S



Q series remote

Remote holder

Accessories



TT-U-E4S

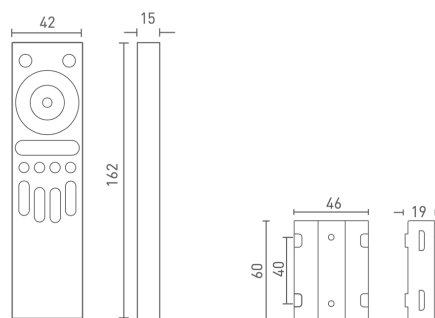
PRODUCT CODE

TT	-	MODEL
TT	-	Q4

TT-Q5



- 4 zones control RGB CCT
- RF 2,4 GHz
- Work with TT-U-E5S



Q series remote

Remote holder

Accessories



TT-U-E5S

PRODUCT CODE

TT	-	MODEL
TT	-	Q5

TT-RC4



- Control TT-UB4
- 4 zones
- Bluetooth led remote

Accessories



TT-UB4

PRODUCT CODE

TT	-	MODEL
TT	-	RC4

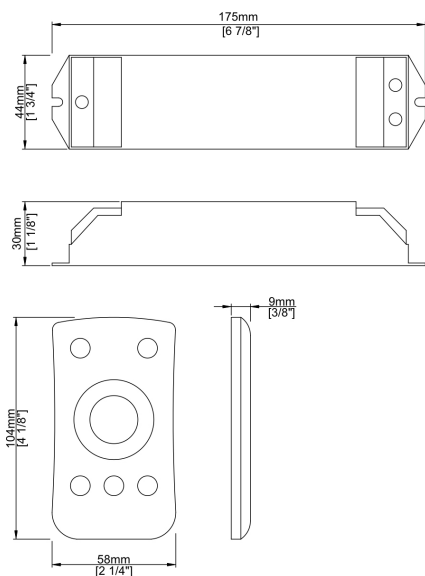
TITANIUM

TECHNOLOGY

TT-U-M1



- The M series is a remote receiver set all-in-one.
- The remote can control four outputs channel of the receiver simultaneously.
- The set includes a wall bracket for remote control.



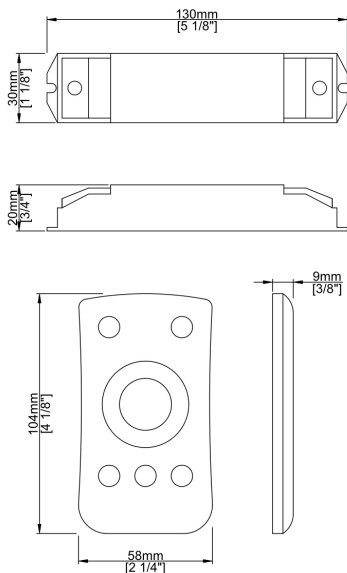
Voltage	12vDC	24vDC
Power per channel	60w	120w
Amperage per channel	5A	5A
Channel	4	
Finish	White	
Dimmable	Yes	
Size	Remote 104mm X 58mm X 9mm 4 ¹ / ₈ " x 2 ¹ / ₄ " x 3 ³ / ₈ " Receiver 175mm X 44mm X 30mm 6 ⁷ / ₈ " x 1 ³ / ₄ " x 1 ¹ / ₈ "	
IP	20	

PRODUCT CODE

TT	-	TYPE	-	MODEL
TT	-	U	-	M1



- The M series is a remote receiver set all-in-one.
- The remote can control four outputs channel of the receiver simultaneously.
- The set includes a wall bracket for remote control.



Voltage	12vDC	24vDC
Power per channel	36w	72w
Amperage per channel	3A	3A
Channel	3	
Finish	White	
Dimmable	Yes	
Size	Remote 104mm X 58mm X 9mm 4 ¹ / ₈ " x 2 ¹ / ₄ " x 3 ³ / ₈ " Receiver 130mm X 30mm X 20mm 5 ¹ / ₈ " x 1 ¹ / ₈ " x 3 ³ / ₄ "	
IP	20	

PRODUCT CODE

TT	-	TYPE	-	MODEL
TT	-	U	-	M1-MINI

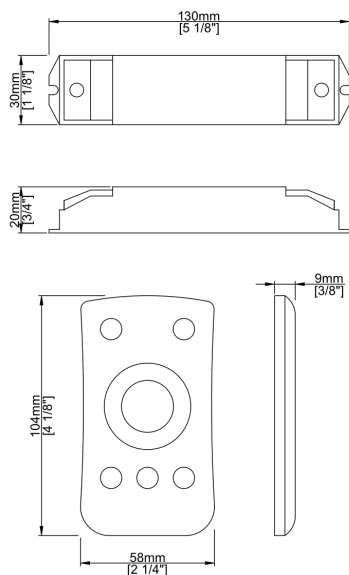
TITANIUM

TECHNOLOGY

TT-U-M3-MINI



- The M series is a remote receiver set all-in-one.
- The three-channel remote can control each receiver outputs independently in mode RGB.
- The set includes a wall bracket for remote control.



Voltage	12vDC	24vDC
Power per channel	36w	72w
Amperage per channel	3A	3A
Channel	3	
Finish	White	
Dimmable	Yes	
Size	Remote 104mm X 58mm X 9mm 4 ¹ / ₈ " x 2 ¹ / ₄ " x ³ / ₈ "	
	Receiver 130mm X 30mm X 20mm 5 ¹ / ₈ " x 1 ¹ / ₈ " x ³ / ₄ "	
IP	20	

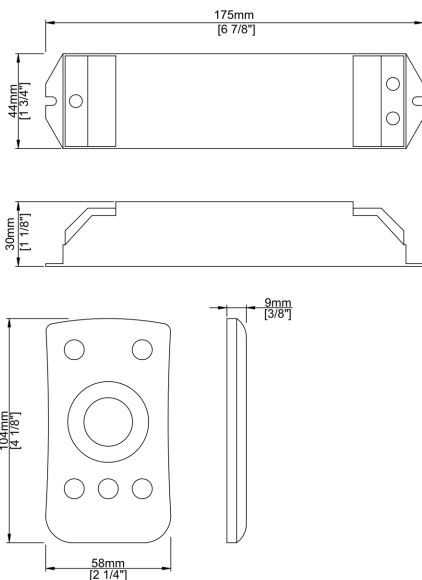
PRODUCT CODE

TT	-	TYPE	-	MODEL
TT	-	U	-	M3-MINI

TT-U-M4



- The M series is a remote receiver set all-in-one.
- The four-channel remote can controls each receiver outputs independently in mode RGBW.
- The set includes a wall bracket for remote control.



Voltage	12vDC	24vDC
Power per channel	60w	120w
Amperage per channel	5A	5A
Channel	4	
Finish	White	
Dimmable	Yes	
Size	Remote 104mm X 58mm X 9mm 4 ¹ / ₈ " x 2 ¹ / ₄ " x 3 ³ / ₈ " Receiver 175mm X 44mm X 30mm 6 ⁷ / ₈ " x 1 ³ / ₄ " x 1 ¹ / ₈ "	
IP	20	

PRODUCT CODE

TT	-	TYPE	-	MODEL
TT	-	U	-	M4

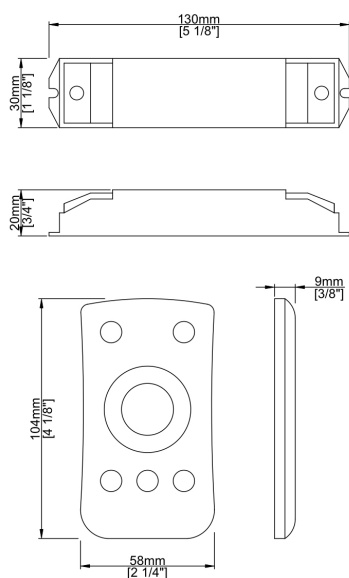
TITANIUM

TECHNOLOGY

TT-U-M5-MINI



- The M series is a remote receiver set all-in-one.
- The three-channel remote can controls each receiver outputs independently in mode CCT.
- The set includes a wall bracket for remote control.



Voltage	12vDC	24vDC
Power per channel	36w	72w
Amperage per channel	3A	3A
Channel	2	
Finish	White	
Dimmable	Yes	
Size	Remote 104mm X 58mm X 9mm 4 ¹ / ₈ " x 2 ¹ / ₄ " x 3 ³ / ₈ " Receiver 130mm X 30mm X 20mm 5 ¹ / ₈ " x 1 ¹ / ₈ " x 3 ³ / ₄ "	
IP	20	

PRODUCT CODE

TT	-	TYPE	-	MODEL
TT	-	U	-	M5-MINI

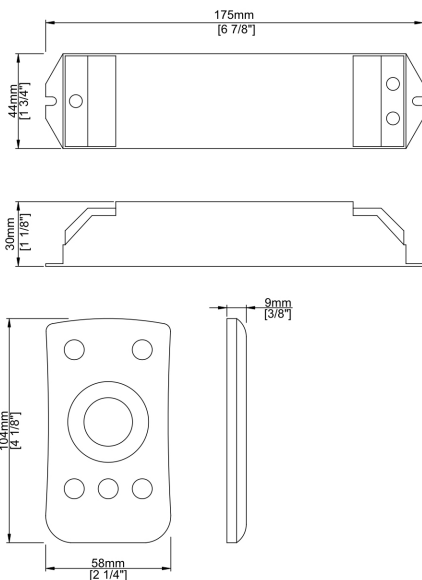
TITANIUM

TECHNOLOGY

TT-U-M6



- The M series is a remote receiver set all-in-one.
- The four-channel remote can controls each receiver outputs independently in mode RGBW.
- The set includes a wall bracket for remote control.



Voltage	12vDC	24vDC
Power per channel	60w	120w
Amperage per channel	5A	5A
Channel	4	
Finish	White	
Dimmable	Yes	
Size	Remote 104mm X 58mm X 9mm 4 ¹ / ₈ " x 2 ¹ / ₄ " x 3 ³ / ₈ " Receiver 175mm X 44mm X 30mm 6 ⁷ / ₈ " x 1 ³ / ₄ " x 1 ¹ / ₈ "	
IP	20	

PRODUCT CODE

TT	-	TYPE	-	MODEL
TT	-	U	-	M6

TITANIUM

TECHNOLOGY

TT-Y-5C-4A



- Multi mode WiFi RF receiver for the TT-Y series.

Voltage	12vDC	24vDC
Power per channel	48w	96w
Amperage per channel	4A	4A
Channel	5	
Finish	White	
Size	145mm x 46.5mm x 16mm 5 ¹¹ / ₁₆ " x 1 ¹³ / ₁₆ " x 5 ⁵ / ₈ "	
IP	20	

PRODUCT CODE

TT	-	TYPE	-	MODEL
TT	-	Y	-	5C-4A

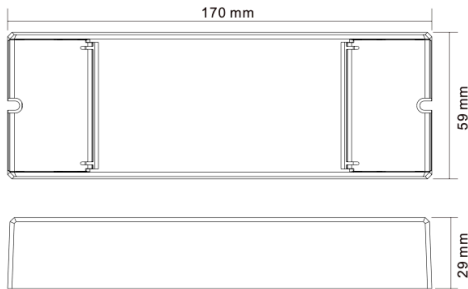
TITANIUM

TECHNOLOGY

TT-Y-5C-6A



- Multi mode WiFi RF receiver for the TT-Y series.



Voltage	12vDC	48vDC
Power per channel	96w	192w
Amperage per channel	8A	8A
Channel	5	
Finish	White	
Size	170mm x 59mm x 29mm 6 ¹¹ / ₁₆ " x 2 ⁵ / ₁₆ " x 1 ¹ / ₈ "	
IP	20	

PRODUCT CODE

TT	-	TYPE	-	MODEL
TT	-	Y	-	5C-6A

TITANIUM

TECHNOLOGY

TT-Y-R-CCT



- RF remote control for TT-Y series.

Channel	2
Finish	Black
Size	120mm X 55mm X 17mm 4 ³ / ₄ " X 2 ³ / ₁₆ " X 1 ¹ / ₁₆ "
CCT	CCT 2 whites
IP	20

PRODUCT CODE

TT - TYPE - MODEL - MODE

TT - Y - R - CCT

TITANIUM

TECHNOLOGY

TT-Y-R-M



- RF remote control for TT-Y series.

Channel	1
Finish	Black
Size	120mm X 55mm X 17mm 4 ³ / ₄ " X 2 ³ / ₁₆ " X 1 ¹ / ₁₆ "
CCT	Mono 1 white
IP	20

PRODUCT CODE

TT - TYPE - MODEL - MODE

TT - Y - R - M

TITANIUM

TECHNOLOGY

TT-Y-R-RGBCCT



- RF remote control for TT-Y series.

Channel	5
Finish	Black
Size	153mm X 52mm X 19mm 6 ¹ / ₃₂ " X 2 ¹ / ₁₆ " X 3/4"
CCT	RGBCCT
IP	20

PRODUCT CODE

TT - TYPE - MODEL - MODE

TT - Y - R - RGBCCT

TT-Y-R-RGBW



- RF remote control for TT-Y series.

Channel	4
Finish	Black
Size	120mm X 55mm X 17mm 4 ³ / ₄ " X 2 ³ / ₁₆ " X 1 ¹ / ₁₆ "
CCT	RGBW
IP	20

PRODUCT CODE

TT	-	TYPE	-	MODEL	-	MODE
TT	-	Y	-	R	-	RGBW

TT-Y-W1-CCT



- Decora style RF wall remote control for the TT-Y series.

Channel	2
Finish	White
Size	66mm X 32.5mm X 8.9mm 2 ⁵ / ₈ " X 1 ⁵ / ₁₆ " X 3/ ₈ "
CCT	CCT 2 whites
IP	20

PRODUCT CODE

TT - TYPE - MODEL - MODE

TT - Y - W1 - CCT

TT-Y-W1-M



- Decora style RF wall remote control for the TT-Y series.

Channel	1
Finish	White
Size	66mm X 32.5mm X 8.9mm 2 ⁵ / ₈ " X 1 ⁵ / ₁₆ " X 3 ³ / ₈ "
CCT	Mono 1 white
IP	20

PRODUCT CODE

TT - TYPE - MODEL - MODE

TT - Y - W1 - M

TT-Y-W1-RGBW



- Decora style RF wall remote control for the TT-Y series.

Channel	4
Finish	White
Size	66mm X 32.5mm X 8.9mm 2 ⁵ / ₈ " X 1 ⁵ / ₁₆ " X 3 ³ / ₈ "
CCT	RGBW
IP	20

PRODUCT CODE

TT - TYPE - MODEL - MODE

TT - Y - W1 - RGBW

TITANIUM

TECHNOLOGY

STICK CONTROLLER SERIES

- Wall touch lighting controller.
- Computer programming and operates in standalone mode thereafter.
- Can be controlled by mobile application.



Product code	TT-STICK-GU2	TT-STICK-GA2	TT-STICK-CW4	TT-STICK-DE3	TT-STICK-KE2
USB connection	•	•	•	•	•
Ethernet connection		•	•	•	•
DMX channels	128	512	1024	1024	1024
Easy Stand Alone 2 (PC/MAC)	•	•	•	•	•
Easy Stand Alone Pro	•	•	•	•	•
Stick Remote App			•	•	•
Arcolis app			•	•	•
Number of scenes	24	99	36	500	200
Number of zone	1	1	1	10	5
Stand alone memory	12K	79K	76K	microSD	microSD
Live control	Color and dimmer	Color and dimmer	Color and dimmer	Color, dimmer, speed	Color, dimmer, speed
Touch-sensitive buttons	3	4	12 + wheel	10 + wheel	12 + cursor
Port triggering	1	8	8	8	8
Clock triggering			100	100	40
RS232 triggering				•	•
Size	86 x 86 x 11 mm 3 ³ / ₈ " x 3 ³ / ₈ " x 3 ³ / ₈ "	86 x 110 x 11 mm 3 ³ / ₈ " x 3 ³ / ₈ " x 3 ³ / ₈ "	106 x 146 x 11 mm 4 ¹ / ₈ " x 5 ³ / ₄ " x 3 ³ / ₈ "	106 x 146 x 11 mm 4 ¹ / ₈ " x 5 ³ / ₄ " x 3 ³ / ₈ "	130 x 170 x 11 mm 5 ¹ / ₈ " x 6 ³ / ₄ " x 3 ³ / ₈ "
Power	5~12vDC 300mA	5~12vDC 300mA	5~15vDC 300mA	5~6vDC 300mA	5~6vDC 300mA

TITANIUM

TECHNOLOGY

SUNLITE SUITE 3 SERIES

- Computer lighting control module.
- Can be controlled remotely by mobile application.



Product code	TT-SUITE3-BC	TT-SUITE3-EC
USB connection	•	•
Ethernet connection		
ArtNet connection	*option	*option
DMX channels	256	1024
Easy Stand Alone		
Easy Stand Alone 2	*option	
Sunlite Suite 3	Express	Full
Sunlite Suite 2	Express	Full
Easy Remote App		
Number of zone		
Stand alone memory	64K	100K
Buttons		3
Port triggering		8
Clock triggering		
MIDI triggering		
RDM	*option	*option
Size	88 x 50 x 38 mm 3 1/2" x 2" x 1 1/2"	79 x 92 x 43 mm 3 1/8" x 3 5/8" x 1 3/4"
Power	5vDC via USB-C	5vDC via USB-C

TITANIUM

TECHNOLOGY

SLESA CONTROLLER SERIES

- Full range of standalone DMX interfaces.
- For architectural applications or installations
- Each DMX interface corresponds to a well-identified use and its association with one of the software of the range allows to control the lighting of places as diverse as houses, hotels, restaurants, offices, monuments, fountains, gardens ...



Product code	TT-SLESA-U11	TT-SLESA-U10	TT-SLESA-U9
USB connection	•	•	•
Ethernet connection	•		
WiFi connection		•	
DMX channels	1024	512	256
Easy Stand Alone		•	•
Easy Stand Alone 2	•	•	•
Easy Stand Alone Pro			
Easy Stand Alone Pro 2	•	•	•
Arcolis	•		
Number of scenes	99	99	20
Number of zone	5	1	1
Stand alone memory	microSD	100K	20K
Buttons		3	3
Port triggering	16	8	8
Clock triggering			
Infrared triggering			
Size	160 x 90 x 45 mm 6 ⁵ / ₁₆ " x 3 ⁹ / ₁₆ " x 1 ³ / ₄ "	79 x 92 x 43 mm 3 ¹ / ₈ " x 3 ⁵ / ₈ " x 1 ³ / ₄ "	79 x 92 x 43 mm 3 ¹ / ₈ " x 3 ⁵ / ₈ " x 1 ³ / ₄ "
Power	5vDC 300mA USB-C	5vDC 300mA USB-C	5vDC 300mA mini USB

TITANIUM

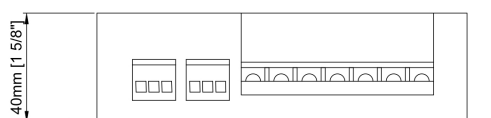
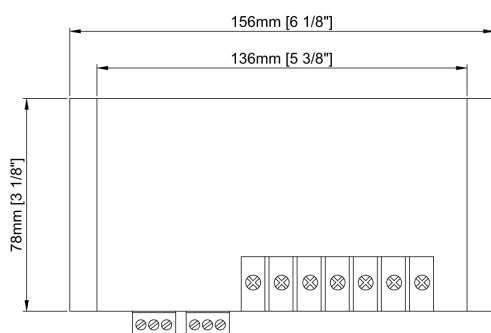
TECHNOLOGY

TT-DMX-4C



- LT-840-6A communication, achieves remote management of reading and writing DMX address (DMX master controller must recognize the RDM protocol). Equipped with DMX standard 3-pin XLR, RJ45, green terminal interface.
- Realize 0-100% dimming or different lighting effect; workable with single color, bi-color, RGB or RGBW LED lamps. With the standard RDM remote device management protocol, supports DMX512 signal bi-directional.

Voltage	5vDC	12vDC	24vDC
Power per channel	30w	72w	144w
Amperage per channel	6A	6A	6A
Channel	4		
Finish	Black		
Dimmable	Yes		
Size	156mm X 78mm X 40mm 6 ¹ / ₈ " x 3 ¹ / ₈ " x 1 ⁵ / ₈ "		
IP	20		



PRODUCT CODE

TT	-	TYPE	-	MODEL
TT	-	DMX	-	4C

TITANIUM

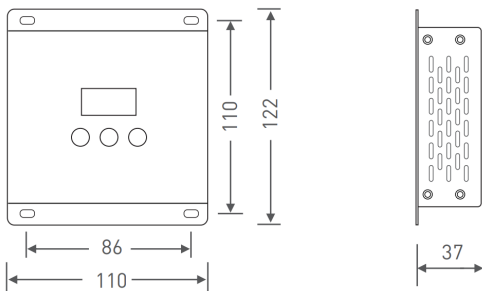
TECHNOLOGY

TT-DMX-5C



- Designed for Hi-power multiple channels application, 5 channels output, and Max. 5A current per channel, up to 600W output power.
- Five kinds of mode optional: single color, color temperature, RGB, RGBW or RGB CCT
- Support 2 kinds of DMX ports with signal isolation function: XLR-5 or RJ45.
- With RDM remote management protocol the operations can be completed via the RDM master console, such as parameters browsing & setting, DMX address setting,

Voltage	12vDC	24vDC
Power per channel	60W	120w
Amperage per channel	5A	5A
Maximum amperage	25A	
Channel	5	
Finish	Black	
Dimmable	Yes	
Size	110mm X 122mm X 37mm 4 ³ / ₈ " x 4 ³ / ₄ " x 1 ¹ / ₂ "	
IP	20	



PRODUCT CODE

TT	-	TYPE	-	MODEL
TT	-	DMX	-	5C

TITANIUM

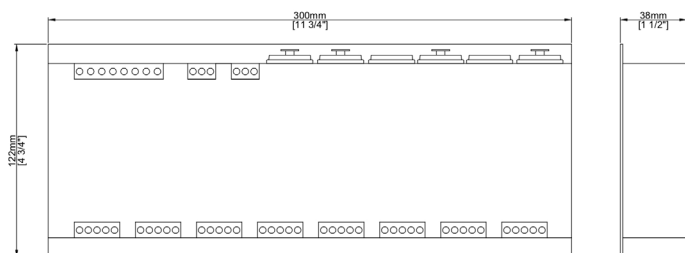
TECHNOLOGY

TT-DMX-32C



- Designed for Hi-power multiple channels application, 32 channels output, and Max. 3A current per channel, up to 2304W output power.
- 4 kinds of mode optional: single color, color temperature, RGB, RGBW
- Support 4 kinds of DMX ports with signal isolation function: XLR-3, XLR-5, RJ45 and green terminal (with signal amplifier function).
- With RDM remote management protocol the operations can be completed via the RDM master console, such as parameters browsing & setting, DMX address setting.

Voltage	12vDC	24vDC
Power per channel	36W	72W
Amperage per channel	3A	3A
Maximum amperage	96A	
Channel	32	
Finish	Black	
Dimmable	Yes	
Size	300mm X 122mm X 38mm 11 ³ / ₄ " x 4 ³ / ₄ " x 1 ¹ / ₂ "	
IP	20	

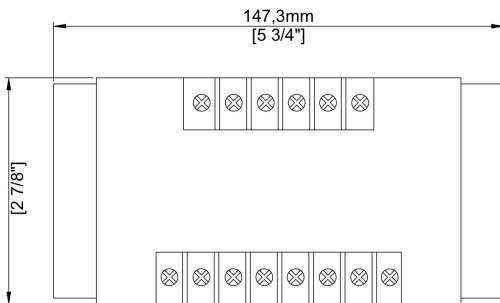


PRODUCT CODE

TT	-	TYPE	-	MODEL
TT	-	DMX	-	32C



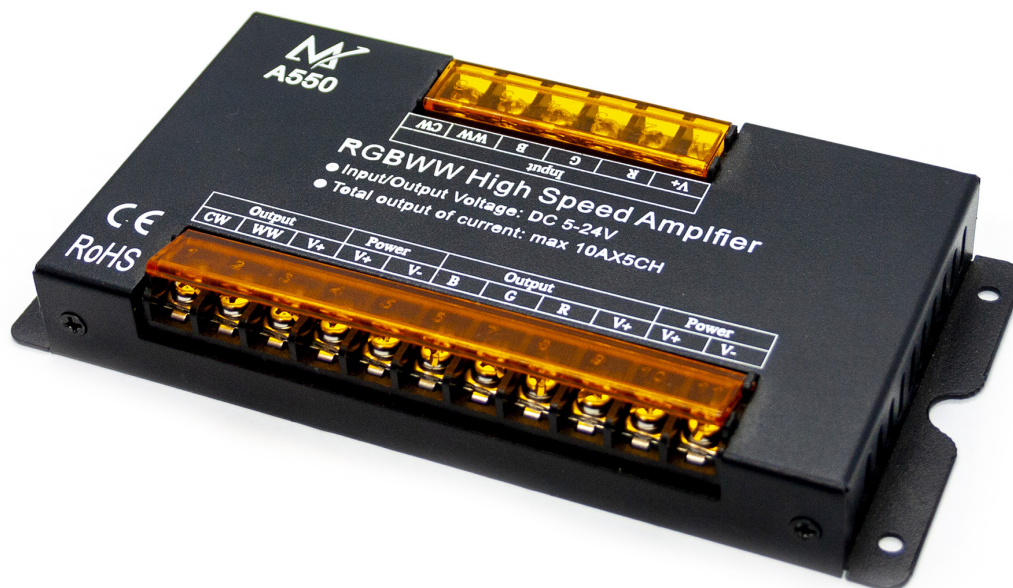
- Amplifier four channels.
- Reproduces and amplifies an RGBW signal.
- 8A maximum each channel



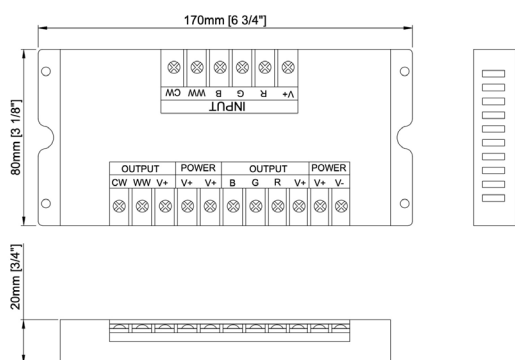
Voltage	5vDC	12vDC	24vDC
Power per channel	40w	96w	192w
Amperage per channel	8A	8A	8A
Channel	4		
Finish	Black		
Dimmable	Yes		
Size	147,3mm X 74mm X 34mm 5 ³ / ₄ " x 2 ⁷ / ₈ " x 1 ³ / ₈ "		
IP	20		

PRODUCT CODE

TT	-	TYPE	-	MODEL
TT	-	AMP	-	4-32



- Amplifier five channels.
- Reproduces and amplifies an RGB CCT signal.
- 10A maximum each channel



Voltage	5vDC	12vDC	24vDC
Power per channel	50w	120w	240w
Amperage per channel	10A	10A	10A
Channel	5		
Finish	Black		
Dimmable	Yes		
Size	170mm X 80mm X 20mm 6 ³ / ₄ " x 3 ¹ / ₈ " x 3 ³ / ₄ "		
IP	20		

PRODUCT CODE

TT	-	TYPE	-	MODEL
TT	-	AMP	-	5-50



- DMX signal distribution.
- Eight amplified and isolated outputs.
- Terminal block connector.

Voltage	12vDC / 24vDC
Consumption	4,5 w
DMX output	8
Finish	Black
Dimmable	No
Size	215mm X 109mm X 21mm 8 ¹ / ₂ " X 4 ⁵ / ₁₆ " X 7 ⁷ / ₈ "
IP	20

PRODUCT CODE

TT	-	TYPE	-	MODEL
TT	-	DMX	-	OPTO

LIMITED ONE (1) YEAR WARRANTY



Titanium Technology offers this limited warranty for one (1) year from the date of purchase of this Titanium Technology product (hereafter : the «Product»). A list of all the Titanium Technology products covered by this limited warranty is given at the end of this document.

This limited warranty is valid only for the Product and it may not be transferred.

The present limited warranty is not meant to exclude, restrict, limit or modify the legal warranty given by law to the purchaser of the Product.

This is a quality Product. It was made and selected with care. If the Product contains a manufacturing defect or if one or more parts of the Product is defective, the retailer commits to replace or repair, at its sole discretion, the defective part of parts without charge under the following cumulative conditions : 1) the purchaser must contact the retail store where the Product was purchased; 2) the purchaser must return the defective part of parts or the Product to the retailer; 3) the purchaser must provide the retailer the invoice as proof of purchase and date of purchase of the Product; 4) the purchaser must supply the Product identification information, including the serial number or the model number; and 5) the period of one (1) year covered by this limited warranty must not be expired. If the retailer decides to replace the defective part or parts, the replacement part or parts would be new or reconditioned, equivalent to new parts.

EXCLUSIONS AND LIMITATIONS OF THE LIMITED WARRANTY

This limited warranty is not applicable :

1. to consumable parts;
2. to normal wear;
3. when the Product is used for purposes other than those determined by the manufacturer;
4. when the Product is not installed by a qualified electrician when electrical work is required;
5. when the serial number or other identification information or the Product is erased or withdrawn;
6. to damages that are only aesthetic and do not affect the normal use of the Product, including scatches, bumps etc.;
7. to labour costs such as installation, de-installation or shipping of the Product which must be paid by the purchaser;
8. to service call costs, when the service call is made while the warranty is not valid;
9. when the damages, defects, faults or other problems arise from :
 - a. an abnormal use of the Product;
 - b. an inadequate maintenance of the Product;
 - c. a faulty installation of the Product or an installation that is not in accordance with the installation guide (if one is provided);
 - d. a modification, a repair or dismantling of the Product by a person not authorized by the retailer or the manufacturer;
 - e. the transportation by the purchaser, his employee, officer or representative;
 - f. a negligence by the purchaser, his employee, officer or representative;
 - g. an accident;
 - h. a case of force majeure (are considered force majeure : nature disasters, lightning, flood, fire etc.);
 - i. any event that is not caused by the Product itself.

In no circumstance can the manufacturer or retailer be held responsible for any extraordinary, special, indirect, accessory or consecutive damages resulting from the use of or the incapacity to use the Product. Their responsibility is limited to the sale price of the Product as indicated on the notice and paid by the purchaser at the time of purchase. It is understood that this is not meant to limit, restrict or exclude the protection given by the legal warranty.

FRENCH VERSION VS ENGLISH VERSION

In case of discrepancy between the French and the English versions of the text of this limited warranty, the French version shall prevail.

MODIFICATIONS

The present warranty text is subject to change at any time.

List of Titanium Technology products covered under this limited warranty :

- | | | |
|--------------------------|--------------------------|-----------------------|
| 1) Nicolaudie Controller | 5) TT-CAB-XX | 9) TT-WiFi |
| 2) LTECH Controller | 6) TT-DMX-XX | 10) Aluminium profile |
| 3) TT-ACC-XX | 7) TT-PSU-IP20 / PLUG-IN | 11) TT-Y-XX |
| 4) TT-AMP-XX | 8) TT-U-XX | |

Note : This product list may not be up to date. Please refer to the product itself (including the package or installation guide) to make sure it is covered by this limited warranty.

TITANIUM

TECHNOLOGY



TITANIUM TECHNOLOGY

2323, boulevard Versant Nord #111
Québec, QC
G1N 4P4 CANADA

Toll free (866)-476-8115
www.titaniumtechnology.com
sales@titaniumtechnology.com
www.facebook.com/titaniumtechnologie

TITANIUM TECHNOLOGY USA

NEWARK DE 19713

Toll free (866)-476-8115 ext.203
www.titaniumtechnology.com
sales@titaniumtechnology.com
www.facebook.com/titaniumtechnologie