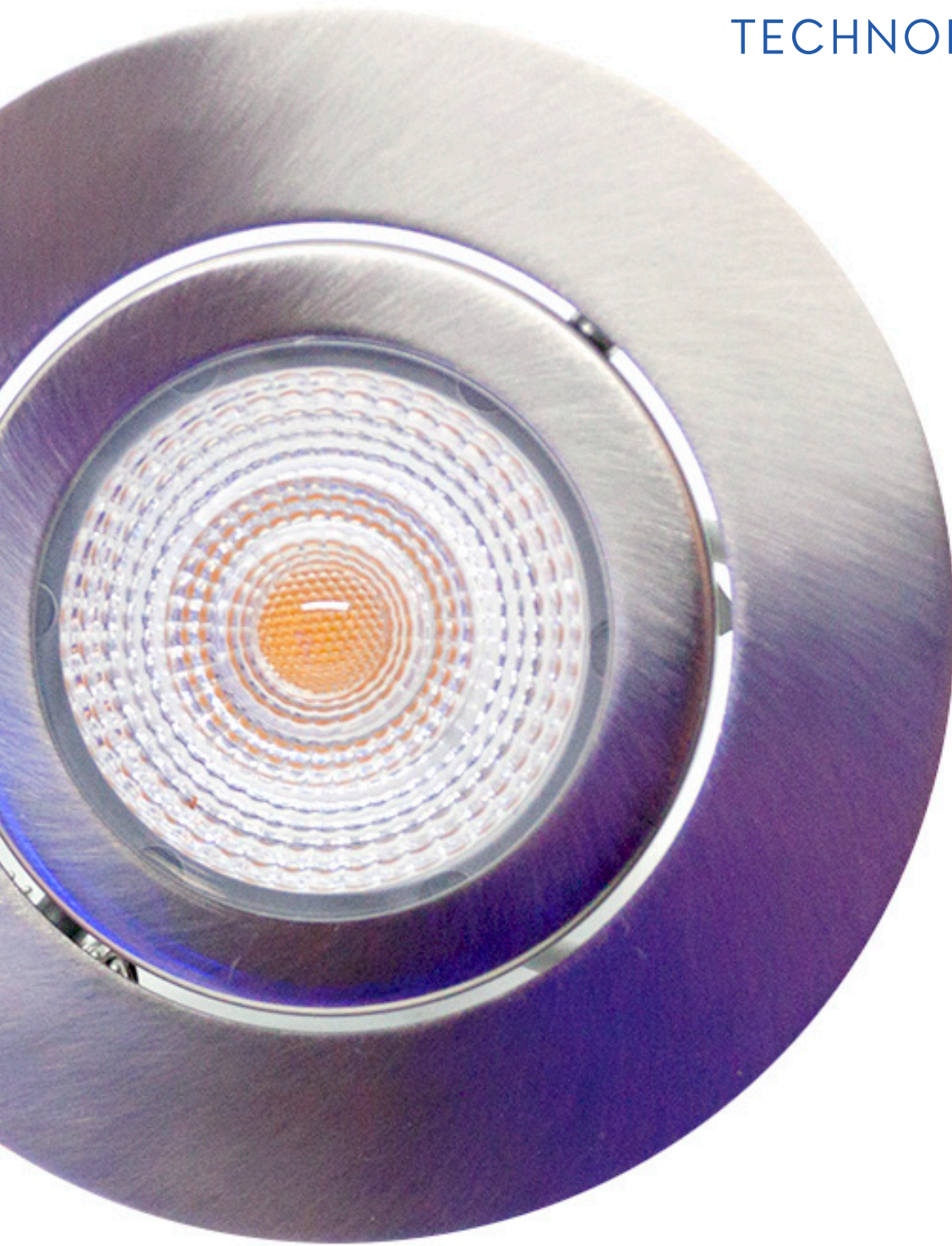


**TITANIUM**  
TECHNOLOGY



**Recessed spotlight**  
**2022**



### TT-DOWN-007-3W Page 3

Voltage (vDC)	Power (W/m)	Luminous flux			Cut hole (mm)	Dimmable
		30K 150	40K 165	60K 180		
12	3				45	Yes



### TT-DOWN-008-3W Page 4

Voltage (vDC)	Power (W/m)	Luminous flux			Cut hole (mm)	Dimmable
		30K 150	40K 165	60K 180		
12	3				50	Yes



### TT-DOWN-016 Page 5

Voltage (vDC)	Power (W/m)	Luminous flux (L/W)	Cut hole (mm)	Dimmable



### TT-P120D-9W-120W Page 6

Voltage (vDC)	Power (W/m)	Luminous flux	Cut hole (mm)	Dimmable



### TT-P120D-9W-12W Page 7

Voltage (vDC)	Power (W/m)	Luminous flux	Cut hole (mm)	Dimmable



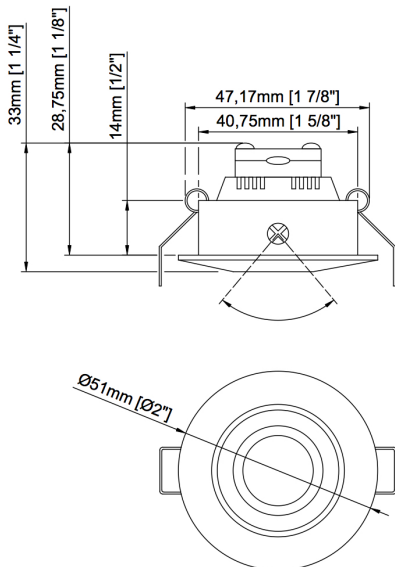
# TITANIUM

TECHNOLOGY

TT-DOWN-007-3W



- Recessed spotlight with adjustable beam.



Voltage	12vDC
Power	3w
Amperage	0,25A
Angle	15°, 30°, 45°, 60°
Lumen	150 (30K) 165 (40K) 180 (60K)
Size	Ø51 mm x 32 mm Ø2" x 1 1/4"
Cut hole	45 mm 1 3/4"
Finish	WH - White C - Silver BK - Black
Dimmable	Yes
LED Colour	30K - Warm white 2800~3200K 40K - Neutral white 4000~4500K 60K - Cold white 6000~6500K
IP	44

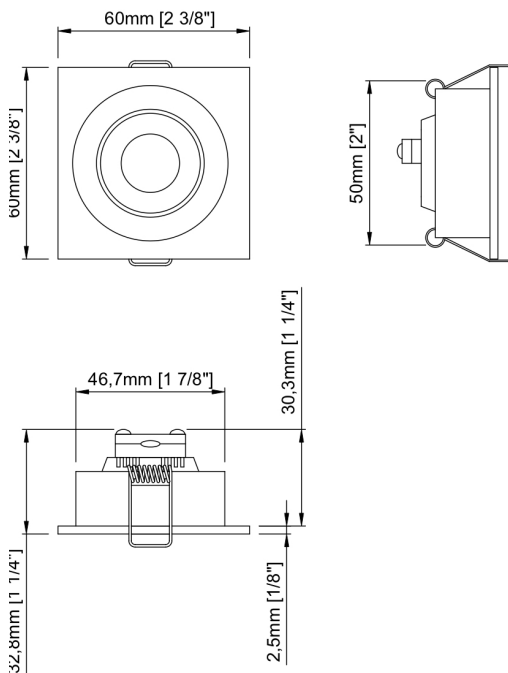
# TITANIUM

## TECHNOLOGY

TT-DOWN-008-3W



- Recessed spotlight with adjustable beam.



Voltage	12vDC
Power	3w
Amperage	0,25A
Angle	15°, 30°, 45°, 60°
Lumen	150 (30K) 165 (40K) 180 (60K)
Size	60 mm x 60 mm x 32 mm 2 <sup>3</sup> / <sub>8</sub> " x 2 <sup>3</sup> / <sub>8</sub> " x 1 <sup>1</sup> / <sub>4</sub> "
Cut hole	50 mm 2"
Finish	WH - White C - Brush aluminum BK - Black
Dimmable	Yes
LED Colour	30K - Warm white 2800~3200K 40K - Neutral white 4000~4500K 60K - Cold white 6000~6500K
IP	44

# TITANIUM

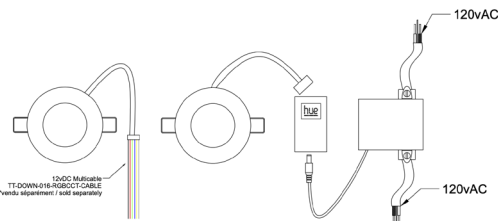
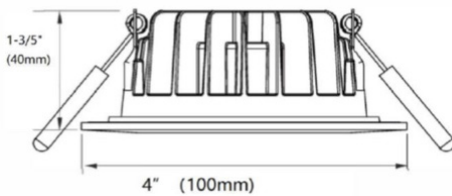
## TECHNOLOGY

### TT-DOWN-016



- This light fixture features a RGB +Tunable white COB that communicated through Hue/ Echo Plus hub
- Suitable for damp location.
- 120vAC junction box include.

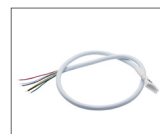
Voltage	120vAC, 12vDC
Power	12W
Amperage	1A
Angle	60°
Lumen	72lm/w
Size	Ø100mm x 40mm Ø4" x 1 <sup>5</sup> / <sub>8</sub> "
Cut hole	86mm 3 <sup>3</sup> / <sub>8</sub> "
Finish	WH - White BR - Brush nickel BK - Black
Dimmable	Yes with app
LED Colour	RGBCCT - RGB + Warm white 2700K + Cold white 5000K
IP	44



#### Accessories



PHILIPS HUE  
BRIDGE V2



TT-DOWN-016-  
RGBCCT-CABLE

# TITANIUM

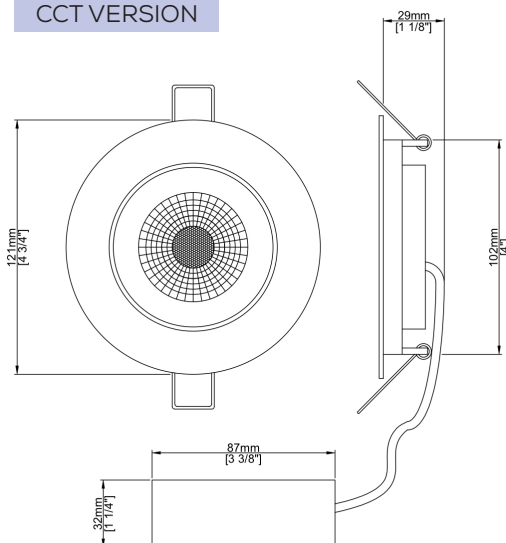
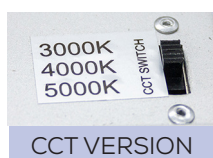
## TECHNOLOGY

TT-P120D-9W-120V



- Recessed with 120vAC junction box.
- Ideal for suspended ceilings and restricted place in clearance..
- Adjustable beam.
- Color temperature selector for the CCT version.
- Color temperature dimmable according to intensity for DW version (100% -3000K to 10% -2000K)

Voltage	120vAC
Power	9W
Amperage	0,06A
Angle	40°
Lumen	800~850
CRI	90
Size	Ø121 mm x 30mm Ø 4 <sup>3</sup> / <sub>4</sub> " x 1 <sup>1</sup> / <sub>8</sub> "
Cut hole	102mm 4"
Finish	WH - White BR - Brush nickel BK - Black
Dimmable	Yes 27K - Warm white 2700K 30K - Warm white 3000K 40K - Neutral white 4000K 50K -Cold white 5000K CCT -White 3000K-4000K-5000K DIM -Dim to warm 3000K~2000K
LED Colour	
IP	44



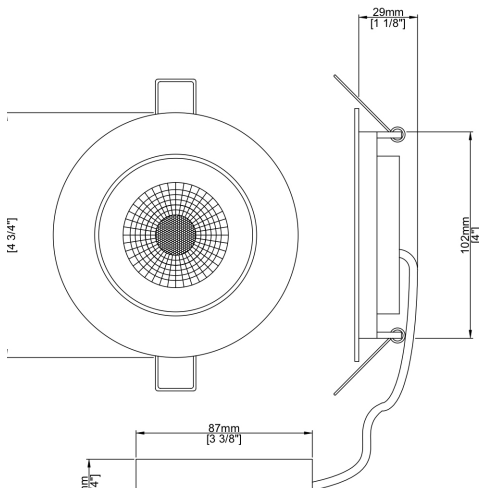
# TITANIUM

TECHNOLOGY

TT-P120D-9W-12V



- Ideal for suspended ceilings and restricted place in clearance..
- Adjustable beam.



Voltage	12vDC
Power	9W
Amperage	0,75A
Angle	40°
Lumen	800~850
Size	Ø121 mm x 30mm Ø 4 <sup>3</sup> / <sub>4</sub> " x 1 <sup>1</sup> / <sub>8</sub> "
Cut hole	102mm 4"
Finish	WH - Blanc / White BR - Nickel brossé / Brush nickel BK - Noir / Black
Dimmable	Yes
LED Colour	27K - Blanc chaud / Warm white 2700K 30K - Blanc chaud / Warm white 3000K 40K - Blanc neuZtre / Neutral white 4000K 50K -Blanc froid / Cold white 5000K
IP	44

# LIMITED THREE (3) YEARS WARRANTY

Titanium Technology offers this limited warranty for three (3) years from the date of purchase of this Titanium Technology product (hereafter : the «Product»). A list of all the Titanium Technology products covered by this limited warranty is given at the end of this document.

This limited warranty is valid only for the Product and it may not be transferred.

The present limited warranty is not meant to exclude, restrict, limit or modify the legal warranty given by law to the purchaser of the Product.



This is a quality Product. It was made and selected with care. If the Product contains a manufacturing defect or if one or more parts of the Product is defective, the retailer commits to replace or repair, at its sole discretion, the defective part of parts without charge under the following cumulative conditions : 1) the purchaser must contact the retail store where the Product was purchased; 2) the purchaser must return the defective part of parts or the Product to the retailer; 3) the purchaser must provide the retailer the invoice as proof of purchase and date of purchase of the Product; 4) the purchaser must supply the Product identification information, including the serial number or the model number; and 5) the period of three (3) years covered by this limited warranty must not be expired. If the retailer decides to replace the defective part or parts, the replacement part or parts would be new or reconditioned, equivalent to new parts.

## EXCLUSIONS AND LIMITATIONS OF THE LIMITED WARRANTY

This limited warranty is not applicable :

1. to consumable parts;
2. to normal wear;
3. when the Product is used for purposes other than those determined by the manufacturer;
4. when the Product is not installed by a qualified electrician when electrical work is required;
5. when the serial number or other identification information or the Product is erased or withdrawn;
6. to damages that are only aesthetic and do not affect the normal use of the Product, including scatches, bumps etc.;
7. to labour costs such as installation, de-installation or shipping of the Product which must be paid by the purchaser;
8. to service call costs, when the service call is made while the warranty is not valid;
9. when the damages, defects, faults or other problems arise from :
  - a. an abnormal use of the Product;
  - b. an inadequate maintenance of the Product;
  - c. a faulty installation of the Product or an installation that is not in accordance with the installation guide (if one is provided);
  - d. a modification, a repair or dismantling of the Product by a person not authorized by the retailer or the manufacturer;
  - e. the transportation by the purchaser, his employee, officer or representative;
  - f. a negligence by the purchaser, his employee, officer or representative;
  - g. an accident;
  - h. a case of force majeure (are considered force majeure : nature disasters, lightning, flood, fire etc.);
  - i. any event that is not caused by the Product itself.

In no circumstance can the manufacturer or retailer be held responsible for any extraordinary, special, indirect, accessory or consecutive damages resulting from the use of or the incapacity to use the Product. Their responsibility is limited to the sale price of the Product as indicated on the notice and paid by the purchaser at the time of purchase. It is understood that this is not meant to limit, restrict or exclude the protection given by the legal warranty.

## FRENCH VERSION VS ENGLISH VERSION

In case of discrepancy between the French and the English versions of the text of this limited warranty, the French version shall prevail.

## MODIFICATIONS

The present warranty text is subject to change at any time.

List of Titanium Technology products covered under this limited warranty :

- |                 |                   |                               |
|-----------------|-------------------|-------------------------------|
| 1) TT-2216-XX * | 6) TT-5630-XX *   | 11) TT-FL-XX-XX               |
| 2) TT-2835-XX * | 7) TT-DOWN-007-XX | 12) TT-PSU-IP20-XX (MEANWELL) |
| 3) TT-335-XX *  | 8) TT-DOWN-008-XX | 13) TT-PUCK-2.2W-XX           |
| 4) TT-3528-XX * | 9) TT-DOWN-016-XX | 14) TT-PUCK-3W-XX             |
| 5) TT-5050-XX * | 10) TT-DR-CV-XX   | 15) TT-PUCK-400-V3            |

\* LED strips are only guaranteed if they are installed in our aluminum profiles and use our transformers.

Note : This product list may not be up to date. Please refer to the product itself (including the package or installation guide) to make sure it is covered by this limited warranty.



# LIMITED FIVE (5) YEARS WARRANTY

Titanium Technology offers this limited warranty for five (5) years from the date of purchase of this Titanium Technology product (hereafter : the «Product»). A list of all the Titanium Technology products covered by this limited warranty is given at the end of this document.



This limited warranty is valid only for the Product and it may not be transferred.

The present limited warranty is not meant to exclude, restrict, limit or modify the legal warranty given by law to the purchaser of the Product.

This is a quality Product. It was made and selected with care. If the Product contains a manufacturing defect or if one or more parts of the Product is defective, the retailer commits to replace or repair, at its sole discretion, the defective part of parts without charge under the following cumulative conditions : 1) the purchaser must contact the retail store where the Product was purchased; 2) the purchaser must return the defective part of parts or the Product to the retailer; 3) the purchaser must provide the retailer the invoice as proof of purchase and date of purchase of the Product; 4) the purchaser must supply the Product identification information, including the serial number or the model number; and 5) the period of five (5) years covered by this limited warranty must not be expired. If the retailer decides to replace the defective part or parts, the replacement part or parts would be new or reconditioned, equivalent to new parts.

## EXCLUSIONS AND LIMITATIONS OF THE LIMITED WARRANTY

This limited warranty is not applicable :

1. to consumable parts;
2. to normal wear;
3. when the Product is used for purposes other than those determined by the manufacturer;
4. when the Product is not installed by a qualified electrician when electrical work is required;
5. when the serial number or other identification information or the Product is erased or withdrawn;
6. to damages that are only aesthetic and do not affect the normal use of the Product, including scatches, bumps etc.;
7. to labour costs such as installation, de-installation or shipping of the Product which must be paid by the purchaser;
8. to service call costs, when the service call is made while the warranty is not valid;
9. when the damages, defects, faults or other problems arise from :
  - a. an abnormal use of the Product;
  - b. an inadequate maintenance of the Product;
  - c. a faulty installation of the Product or an installation that is not in accordance with the installation guide (if one is provided);
  - d. a modification, a repair or dismantling of the Product by a person not authorized by the retailer or the manufacturer;
  - e. the transportation by the purchaser, his employee, officer or representative;
  - f. a negligence by the purchaser, his employee, officer or representative;
  - g. an accident;
  - h. a case of force majeure (are considered force majeure : nature disasters, lightning, flood, fire etc.);
  - i. any event that is not caused by the Product itself.

In no circumstance can the manufacturer or retailer be held responsible for any extraordinary, special, indirect, accessory or consecutive damages resulting from the use of or the incapacity to use the Product. Their responsibility is limited to the sale price of the Product as indicated on the notice and paid by the purchaser at the time of purchase. It is understood that this is not meant to limit, restrict or exclude the protection given by the legal warranty.

## FRENCH VERSION VS ENGLISH VERSION

In case of discrepancy between the French and the English versions of the text of this limited warranty, the French version shall prevail.

## MODIFICATIONS

The present warranty text is subject to change at any time.

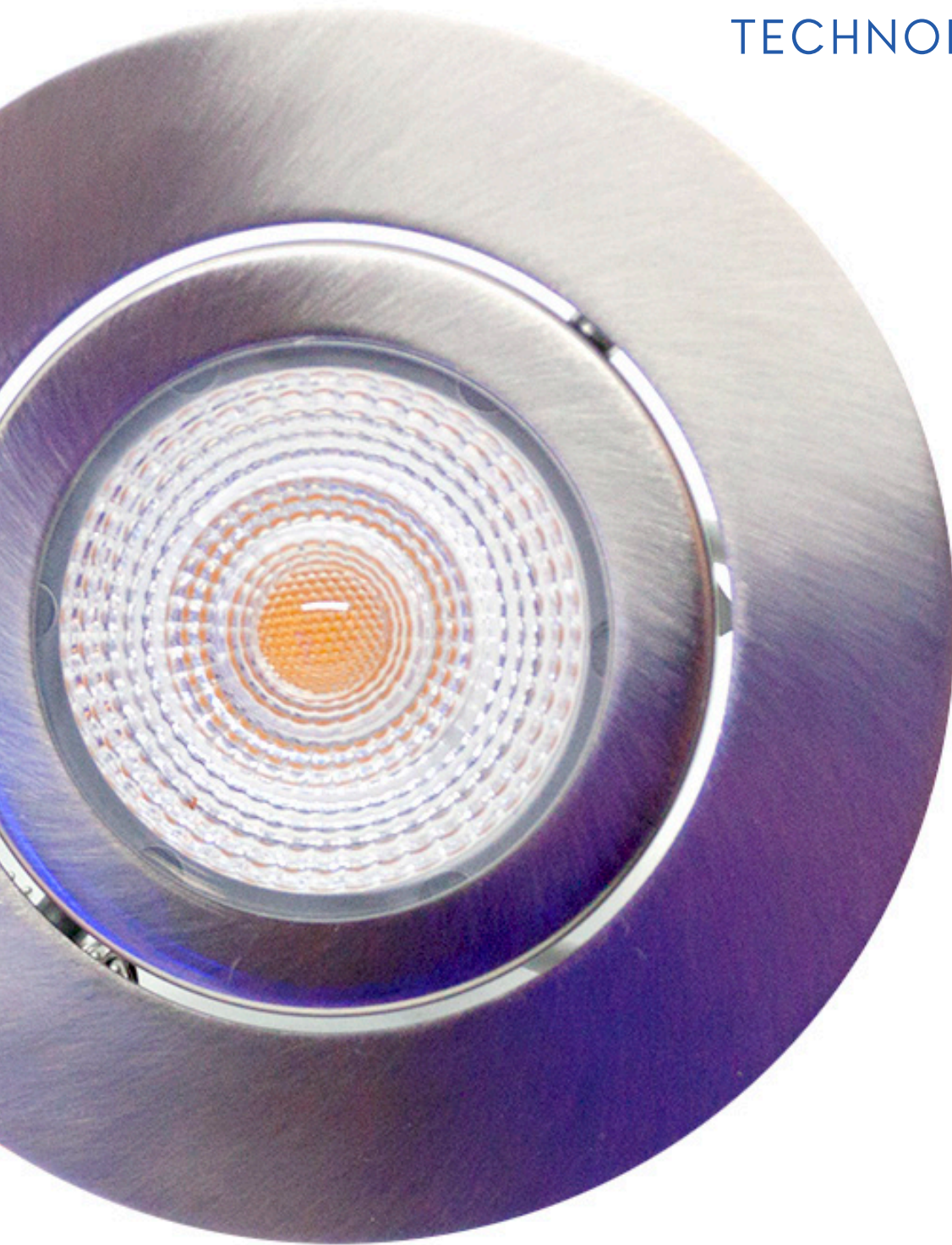
List of Titanium Technology products covered under this limited warranty :

- 1) TT-P120D-XX

Note : This product list may not be up to date. Please refer to the product itself (including the package or installation guide) to make sure it is covered by this limited warranty.

# TITANIUM

TECHNOLOGY



**TITANIUM TECHNOLOGY**  
2323, boulevard Versant Nord #111  
Québec, QC  
G1N 4P4 CANADA  
(866) 476-8115

[www.titaniumtechnology.com](http://www.titaniumtechnology.com)  
[sales@titaniumtechnology.com](mailto:sales@titaniumtechnology.com)  
[www.facebook.com/titaniumtechnologie](https://www.facebook.com/titaniumtechnologie)