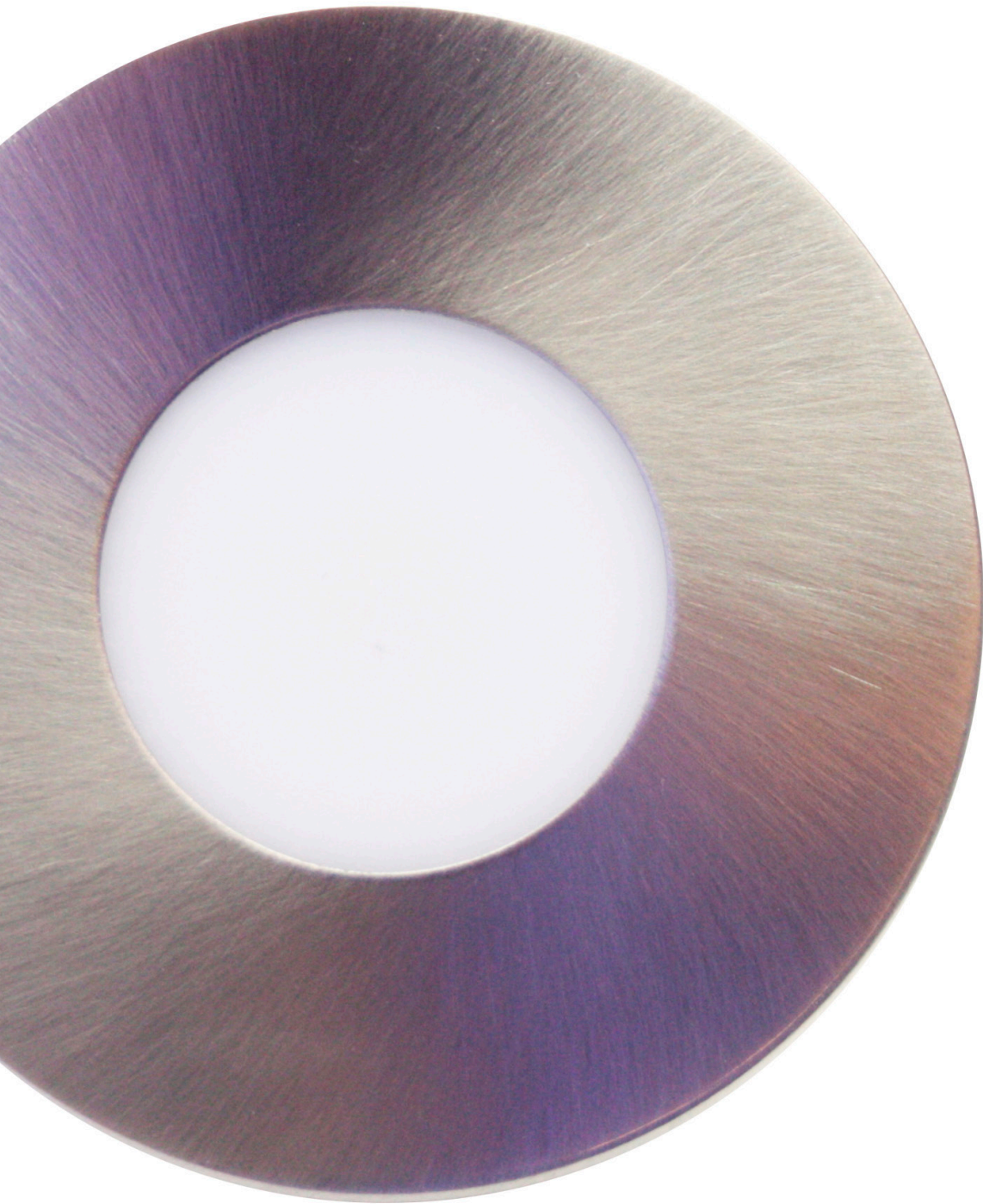


**TITANIUM**  
TECHNOLOGY



**Cabinets and millwork**  
**2022**



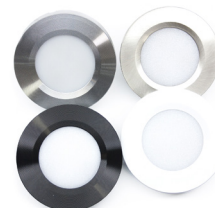
### TT-PUCK-2W Page 3

Voltage (vDC)	Power (W/m)	Luminous flux (lm/m)			Cut hole (mm)
12	2	-			63



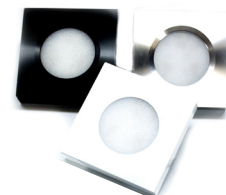
### TT-PUCK-3W Page 4

Voltage (vDC)	Power (W/m)	Luminous flux (lm/m)			Cut hole (mm)
12	3	30K 230	40K 240	60K 260	63



### TT-PUCK-3W-S Page 5

Voltage (vDC)	Power (W/m)	Luminous flux (lm/m)			Cut hole (mm)
12	3	30K 230	40K 240	60K 260	63



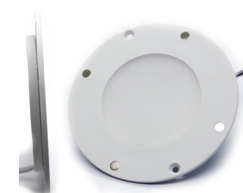
### TT-PUCK-400-V3 Page 6

Voltage (vDC)	Power (W/m)	Luminous flux (lm/m)			Cut hole (mm)
12	3	30K 330	40K 350	60K 360	63



### TT-PUCK-2.2W Page 7

Voltage (vDC)	Power (W/m)	Luminous flux (lm/m)	Cut hole (mm)
12	2.2	175	56



### TT-CAB Page 8

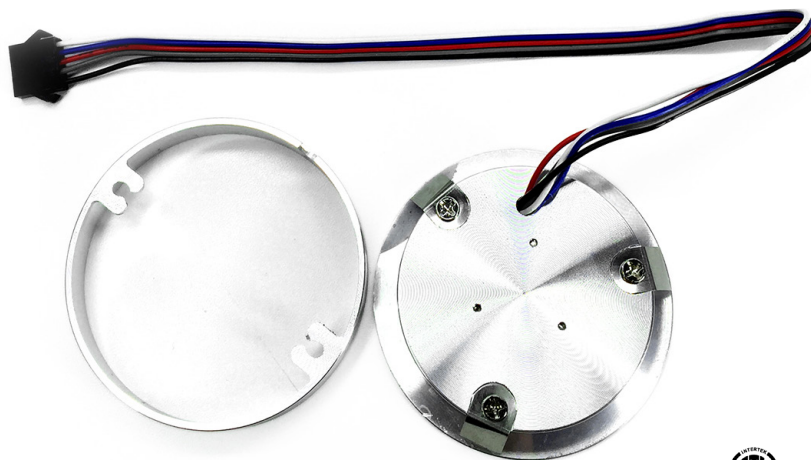
Voltage (vDC)	Power (W/m)	Luminous flux (lm/m)	Cut hole (mm)
12	3,6 5,4 7,8	3,6w - 260 ~ 280 5,4w - 400 ~ 420 7,8w - 580 ~ 600	-



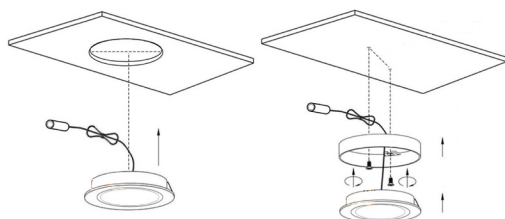
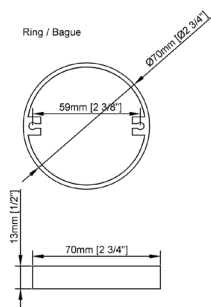
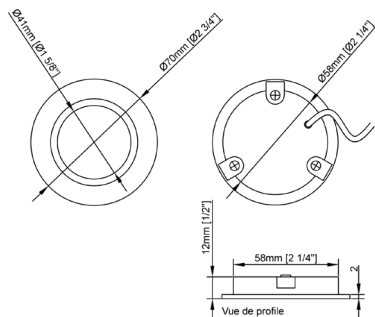
# TITANIUM

## TECHNOLOGY

### TT-PUCK-2W



- Puck for kitchen cabinets.



Voltage	12vDC
Power	2w
Amperage	0,16A
Angle	120°
Size	$\varnothing 70\text{mm} \times 13\text{mm}$ $\varnothing 2\frac{3}{4}'' \times 1\frac{1}{2}''$
Cut hole	63 mm $2\frac{1}{2}''$
Finish	W - White BK - Black C - Silver
Dimmable	Yes
LED Colour	RGB30K - RGB + Warm white 3000K RGB40K - RGB + Neutral white 4000K RGB60K - RGB + Cold white 6000K
IP	20

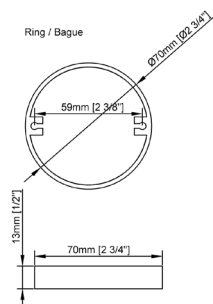
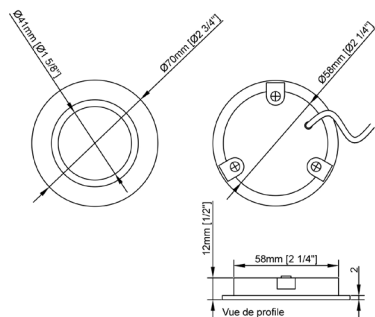
# TITANIUM

## TECHNOLOGY

### TT-PUCK-3W



- Puck for kitchen cabinets.



Voltage	12vDC
Power	3w
Amperage	0,25A
Angle	120°
CRI	90
Lumen	230 (30K) 240 (40K) 260 (60K)
Size	Ø70mm x 13mm Ø2 3/4" x 1/2"
Cut hole	63 mm 2 1/2"
Finish	W - White BK - Black C - Silver BR - Nickel Brush
Dimmable	Yes
Couleur DEL / LED Colour	27K - Warm white 2700K 30K - Warm white 3000K 40K - Neutral white 4000K 60K - Cold white 6000K
IP	20

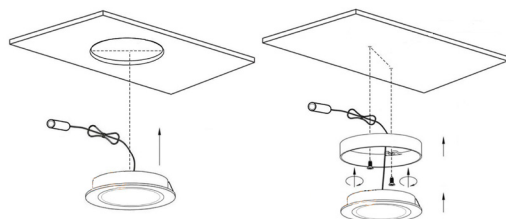
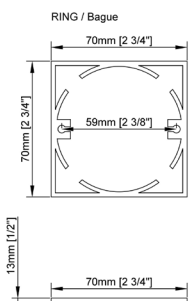
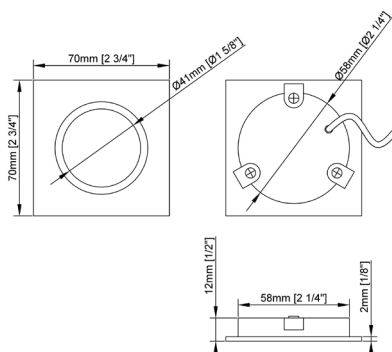
# TITANIUM

## TECHNOLOGY

### TT-PUCK-3W-S



- Square puck for kitchen cabinets.



Voltage	12vDC
Power	3w
Amperage	0,25A
Angle	120°
Lumen	230 (30K) 240 (40K) 260 (60K)
Shape	S - Square
Size	Ø70mm x 13mm Ø2 3/4" x 1/2"
Cut hole	63 mm 2 1/2"
Finish	W - White BK - Black C - Silver BR - Nickel Brush
Dimmable	Yes
LED Colour	27K - Warm white 2700K 30K - Warm white 3000K 40K - Neutral white 4000K 60K - Cold white 6000K
IP	20

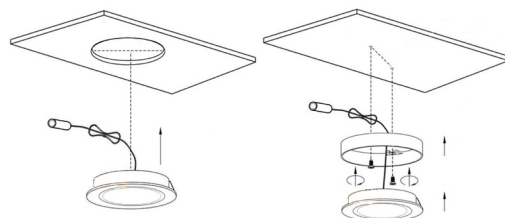
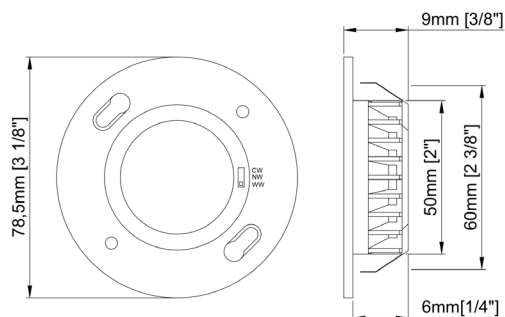
# TITANIUM

## TECHNOLOGY

TT-PUCK-400-V3

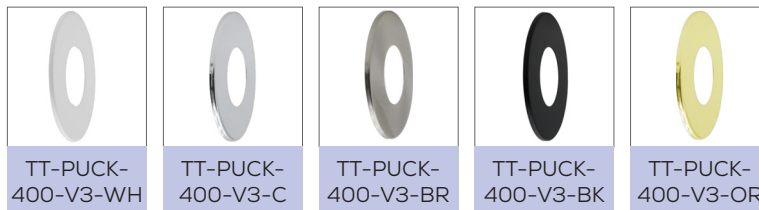


- Puck for kitchen cabinets.



Voltage	12vDC
Power	3w
Amperage	0,25A
Angle	120°
Lumen	330 (30K) 350 (40K) 360 (60K)
CRI	90
Size	Ø78,5mm x 9mm Ø3 <sup>1</sup> / <sub>8</sub> " x <sup>3</sup> / <sub>8</sub> "
Cut hole	63 mm 2 <sup>1</sup> / <sub>2</sub> "
Finish	W - White BK - Black C - Silver BR - Nickel Brush OR - Gold
Dimmable	Yes
LED Colour	CCT - Warm white 3000K Neutral white 4000K Cold white 6000K
IP	20

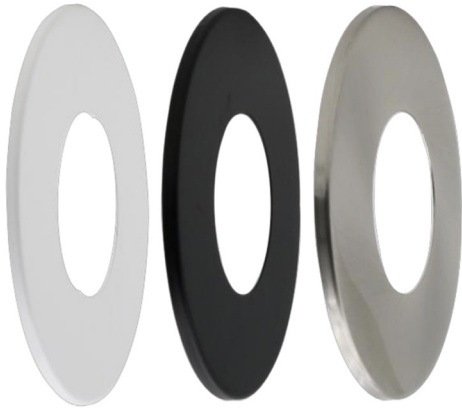
### Accessories



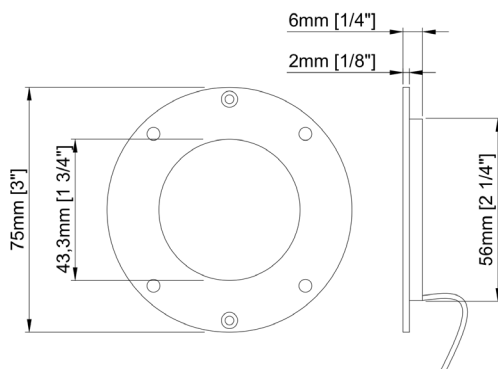
# TITANIUM

## TECHNOLOGY

### TT-PUCK-2.2W



- Thin puck for kitchen cabinets.
- Three choice of finishing rings.



Voltage	12vDC
Power	2,2w
Amperage	0,183A
Angle	110°
Lumen	175 lm
CRI	90
Size	175 lm
Cut hole	56 mm 2 1/4"
Dimmable	Yes
LED Colour	27K - Blanc chaud 2700K / Warm white 7000K 30K - Blanc chaud 3000K / Warm white 3000K 40K - Blanc neutre 4000K / Neutral white 4000K 50K - Blanc froid 5000K / Cold white 5000K
IP	20

#### Accessories



# TITANIUM

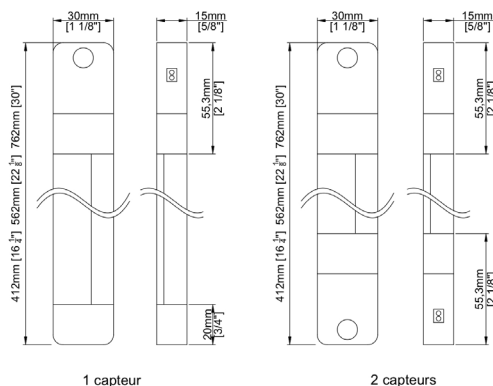
## TECHNOLOGY

### TT-CAB



- Wardrobe and drawer unit lighting.
- The sensor can be installed in or out according to the direction of the desired light.
- Available in three different lengths and two LED colors.

Voltage	12vDC		
Power	3,6W	5,4W	7,8W
Amperage	0,3A	0,45A	0,65A
Lumens	260~280	400~420	580~600
Length (L)	412mm	562mm	762mm
	16 <sup>1</sup> / <sub>4</sub> "	22 <sup>1</sup> / <sub>8</sub> "	30"
Size	L x 30mm x 15mm		
	L x 1 <sup>3</sup> / <sub>16</sub> " x <sup>9</sup> / <sub>16</sub> "		
Finish	Silver		
Dimmable	No		
LED Colour	30K - Warm white 2800~3300K		
	40K - Neutral white 4000~4500K		
IP	20		





TT-ACC-IR-01



- Recessed IR detector.
- 12 ~ 24vDC 30w-60w.
- Output input connector 2.1mm.
- Cut hole 10mm ( $\frac{3}{8}$ ").

TT-ACC-IR-02



- Surface mount IR detector.
- 12 ~ 24vDC 30w-60w.
- Output input connector 2.1mm.

TT-ACC-IR-05



- Double recessed IR detector.
- 12 ~ 24vDC 30w-60w.
- Output input connector 2.1mm.
- Cut hole 10mm ( $\frac{3}{8}$ ").

TT-ACC-IR-06



- Double surface mount IR detector.
- 12 ~ 24vDC 30w-60w.
- Output input connector 2.1mm.

TT-ACC-IR-11



- Recessed IR detector.
- Fade in Fade out.
- 12 ~ 24vDC 36w-72w..
- Output input connector 2.1mm.
- Cut hole 8mm

TT-ACC-IR-12



- Surface mount IR detector.
- Fade in Fade out.
- 12 ~ 24vDC 36w-72w.
- Output input connector 2.1mm.

TT-ACC-IR-15



- Double recessed IR detector.
- 12 ~ 24vDC 36w-72w.
- Output input connector 2.1mm.
- Cut hole 8mm.

TT-ACC-IR-16



- Double surface mount IR detector.
- Fade in Fade out.
- 12 ~ 24vDC 36w-72w.
- Output input connector 2.1mm.

TT-U-13



- Touch dimmer.
- 12 ~ 24vDC 30w-60w.
- Output input connector 2.1mm.
- Cut hole 14mm (1/2")

TT-U-14



- Touch switch.
- 12 ~ 24vDC 36w-72w.
- Output input connector 2.1mm.
- Pass on the surface of wood board
- 32mm max. (1<sup>5</sup>/<sub>16</sub>").

TT-ACC-MOV-01



- Recessed motion detector.
- 12 ~ 24vDC 30w-60w.
- Output input connector 2.1mm.
- Cut hole 16mm (5/8").

# LIMITED ONE (1) YEAR WARRANTY



Titanium Technology offers this limited warranty for one (1) year from the date of purchase of this Titanium Technology product (hereafter : the «Product»). A list of all the Titanium Technology products covered by this limited warranty is given at the end of this document.

This limited warranty is valid only for the Product and it may not be transferred.

The present limited warranty is not meant to exclude, restrict, limit or modify the legal warranty given by law to the purchaser of the Product.

This is a quality Product. It was made and selected with care. If the Product contains a manufacturing defect or if one or more parts of the Product is defective, the retailer commits to replace or repair, at its sole discretion, the defective part of parts without charge under the following cumulative conditions : 1) the purchaser must contact the retail store where the Product was purchased; 2) the purchaser must return the defective part of parts or the Product to the retailer; 3) the purchaser must provide the retailer the invoice as proof of purchase and date of purchase of the Product; 4) the purchaser must supply the Product identification information, including the serial number or the model number; and 5) the period of one (1) year covered by this limited warranty must not be expired. If the retailer decides to replace the defective part or parts, the replacement part or parts would be new or reconditioned, equivalent to new parts.

## EXCLUSIONS AND LIMITATIONS OF THE LIMITED WARRANTY

This limited warranty is not applicable :

1. to consumable parts;
2. to normal wear;
3. when the Product is used for purposes other than those determined by the manufacturer;
4. when the Product is not installed by a qualified electrician when electrical work is required;
5. when the serial number or other identification information or the Product is erased or withdrawn;
6. to damages that are only aesthetic and do not affect the normal use of the Product, including scatches, bumps etc.;
7. to labour costs such as installation, de-installation or shipping of the Product which must be paid by the purchaser;
8. to service call costs, when the service call is made while the warranty is not valid;
9. when the damages, defects, faults or other problems arise from :
  - a. an abnormal use of the Product;
  - b. an inadequate maintenance of the Product;
  - c. a faulty installation of the Product or an installation that is not in accordance with the installation guide (if one is provided);
  - d. a modification, a repair or dismantling of the Product by a person not authorized by the retailer or the manufacturer;
  - e. the transportation by the purchaser, his employee, officer or representative;
  - f. a negligence by the purchaser, his employee, officer or representative;
  - g. an accident;
  - h. a case of force majeure (are considered force majeure : nature disasters, lightning, flood, fire etc.);
  - i. any event that is not caused by the Product itself.

In no circumstance can the manufacturer or retailer be held responsible for any extraordinary, special, indirect, accessory or consecutive damages resulting from the use of or the incapacity to use the Product. Their responsibility is limited to the sale price of the Product as indicated on the notice and paid by the purchaser at the time of purchase. It is understood that this is not meant to limit, restrict or exclude the protection given by the legal warranty.

## FRENCH VERSION VS ENGLISH VERSION

In case of discrepancy between the French and the English versions of the text of this limited warranty, the French version shall prevail.

## MODIFICATIONS

The present warranty text is subject to change at any time.

List of Titanium Technology products covered under this limited warranty :

- |                          |              |                          |
|--------------------------|--------------|--------------------------|
| 1) Nicolaudie Controller | 4) TT-AMP-XX | 7) TT-PSU-IP20 / PLUG-IN |
| 2) LTECH Controller      | 5) TT-CAB-XX | 8) TT-U-XX               |
| 3) TT-ACC-XX             | 6) TT-DMX-XX | 9) TT-WiFi               |

Note : This product list may not be up to date. Please refer to the product itself (including the package or installation guide) to make sure it is covered by this limited warranty.

# LIMITED THREE (3) YEARS WARRANTY



Titanium Technology offers this limited warranty for three (3) years from the date of purchase of this Titanium Technology product (hereafter : the «Product»). A list of all the Titanium Technology products covered by this limited warranty is given at the end of this document.

This limited warranty is valid only for the Product and it may not be transferred.

The present limited warranty is not meant to exclude, restrict, limit or modify the legal warranty given by law to the purchaser of the Product.

This is a quality Product. It was made and selected with care. If the Product contains a manufacturing defect or if one or more parts of the Product is defective, the retailer commits to replace or repair, at its sole discretion, the defective part of parts without charge under the following cumulative conditions : 1) the purchaser must contact the retail store where the Product was purchased; 2) the purchaser must return the defective part of parts or the Product to the retailer; 3) the purchaser must provide the retailer the invoice as proof of purchase and date of purchase of the Product; 4) the purchaser must supply the Product identification information, including the serial number or the model number; and 5) the period of three (3) years covered by this limited warranty must not be expired. If the retailer decides to replace the defective part or parts, the replacement part or parts would be new or reconditioned, equivalent to new parts.

## EXCLUSIONS AND LIMITATIONS OF THE LIMITED WARRANTY

This limited warranty is not applicable :

1. to consumable parts;
2. to normal wear;
3. when the Product is used for purposes other than those determined by the manufacturer;
4. when the Product is not installed by a qualified electrician when electrical work is required;
5. when the serial number or other identification information or the Product is erased or withdrawn;
6. to damages that are only aesthetic and do not affect the normal use of the Product, including scatches, bumps etc.;
7. to labour costs such as installation, de-installation or shipping of the Product which must be paid by the purchaser;
8. to service call costs, when the service call is made while the warranty is not valid;
9. when the damages, defects, faults or other problems arise from :
  - a. an abnormal use of the Product;
  - b. an inadequate maintenance of the Product;
  - c. a faulty installation of the Product or an installation that is not in accordance with the installation guide (if one is provided);
  - d. a modification, a repair or dismantling of the Product by a person not authorized by the retailer or the manufacturer;
  - e. the transportation by the purchaser, his employee, officer or representative;
  - f. a negligence by the purchaser, his employee, officer or representative;
  - g. an accident;
  - h. a case of force majeure (are considered force majeure : nature disasters, lightning, flood, fire etc.);
  - i. any event that is not caused by the Product itself.

In no circumstance can the manufacturer or retailer be held responsible for any extraordinary, special, indirect, accessory or consecutive damages resulting from the use of or the incapacity to use the Product. Their responsibility is limited to the sale price of the Product as indicated on the notice and paid by the purchaser at the time of purchase. It is understood that this is not meant to limit, restrict or exclude the protection given by the legal warranty.

## FRENCH VERSION VS ENGLISH VERSION

In case of discrepancy between the French and the English versions of the text of this limited warranty, the French version shall prevail.

## MODIFICATIONS

The present warranty text is subject to change at any time.

List of Titanium Technology products covered under this limited warranty :

- |                 |                   |                               |
|-----------------|-------------------|-------------------------------|
| 1) TT-2216-XX * | 6) TT-5630-XX *   | 11) TT-FL-XX-XX               |
| 2) TT-2835-XX * | 7) TT-DOWN-007-XX | 12) TT-PSU-IP20-XX (MEANWELL) |
| 3) TT-335-XX *  | 8) TT-DOWN-008-XX | 13) TT-PUCK-2.2W-XX           |
| 4) TT-3528-XX * | 9) TT-DOWN-016-XX | 14) TT-PUCK-3W-XX             |
| 5) TT-5050-XX * | 10) TT-DR-CV-XX   | 15) TT-PUCK-400-V3            |

\* LED strips are only guaranteed if they are installed in our aluminum profiles and use our transformers.

Note : This product list may not be up to date. Please refer to the product itself (including the package or installation guide) to make sure it is covered by this limited warranty.

# TITANIUM

TECHNOLOGY



**TITANIUM TECHNOLOGY**  
2323, boulevard Versant Nord #111  
Québec, QC  
G1N 4P4 CANADA  
(866) 476-8115

[www.titaniumtechnology.com](http://www.titaniumtechnology.com)  
[sales@titaniumtechnology.com](mailto:sales@titaniumtechnology.com)  
[www.facebook.com/titaniumtechnologie](https://www.facebook.com/titaniumtechnologie)