

# TITANIUM

TECHNOLOGY



**Architectural**  
**2022**

# TITANIUM

## TECHNOLOGY



Voltage (vDC)	Power (W/m)	Angle beam (°)	Control
24	6	15	Whites - Triac RGBW - DMX

**TT-FL02-6W** Page 4



Voltage (vDC)	Power (W/m)	Angle beam (°)	Control
24	18	One color - 8,15,30,45 RGBW - 12,24,36	Whites - Triac RGBW - DMX

**TT-FL02-18W** Page 5



Voltage (vDC)	Power (W/m)	Angle beam (°)	Control
24	24	One color - 8,15,30,45 RGBW - 12,24,36	Whites - Triac RGBW - DMX

**TT-FL02-24W** Page 6



Voltage (vDC)	Power (W/m)	Angle beam (°)	Control
120	36	One color - 8,15,30,45 RGBW - 12,24,36	Whites - Triac RGBW - DMX

**TT-FL02-36W** Page 7



Voltage (vDC)	Power (W/m)	Angle beam (°)	Control
120	60	One color - 8,15,30,45 RGBW - 12,24,36	Whites - Triac RGBW - DMX

**TT-FL05-60W** Page 8



Voltage (vDC)	Power (W/m)	Angle beam (°)	Control
120	65	8, 15, 25, 45, 60, 10 x 30°	Whites - Triac RGBW - DMX

**TT-FL02-65W** Page 9



Voltage (vDC)	Power (W/m)	Angle beam (°)	Control
120	100	One color - 8,15,30,45 RGBW - 12,24,36	Whites - Triac RGBW - DMX

**TT-FL07-100W** Page 10



Voltage (vDC)	Power (W/m)	Angle beam (°)	Control
120	192	One color - 8 RGBW - 15, 10 x 30°	Whites - Triac RGBW - DMX

**TT-FL02-192W** Page 11



Voltage (vDC)	Power (W/m)	Angle beam (°)	Control
120	35	120	Triac

**TT-FL04-35W** Page 12





### TT-FL04-24W Page 13

Voltage (vDC)	Power (W/m)	Angle beam (°)	Control
24	24	15, 30	DMX



### TT-FL04-12W Page 14

Voltage (vDC)	Power (W/m)	Angle beam (°)	Control
24	12	15, 30	DMX



### TT-FL10-150W Page 15

Voltage (vDC)	Power (W/m)	Angle beam (°)	Control
100 ~ 277	150	One color - 8, 30, 40, 60 RGBW - 25	Whites - Triac RGBW - DMX



### TT-UGD-001-6W Page 16

Voltage (vDC)	Power (W/m)	Angle beam (°)	Control
24	6	15	Triac



### TT-UGD-001-3W Page 17

Voltage (vDC)	Power (W/m)	Angle beam (°)	Control
24	3	15	Triac



### TT-STEP Page 18

Voltage (vDC)	Power (W/m)	Angle beam (°)	Control
12	0,7 0,8 RGB	-	Whites - Triac RGBW - PMW



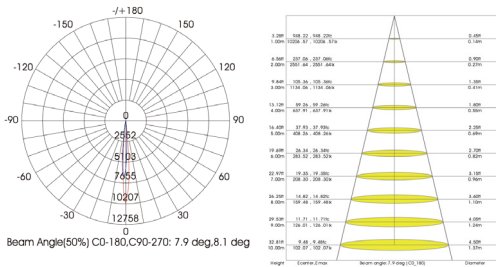
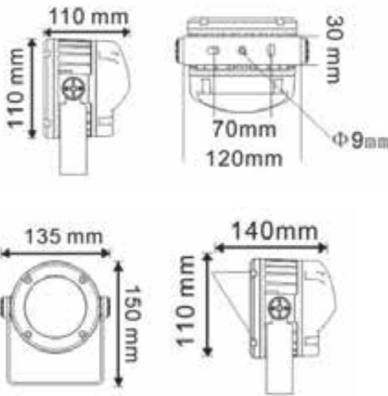
# TITANIUM

## TECHNOLOGY

### TT-FL02-6W



- Architectural projector with fixed or variable colors. Controlled by DMX signal (RGBW) or by triac (one color).



Voltage	24vDc
Power	6w
Amperage	0,25A
Angle	15°
Size	100 x 110 x 150mm 3 <sup>15</sup> / <sub>16</sub> " x 4 <sup>5</sup> / <sub>16</sub> " x 5 <sup>15</sup> / <sub>16</sub> "
Finish	BK - Black WH - White GR - Grey
Dimmable	Yes
LED Colour	RGB30K - RGB + Warm white 3000K 4:1 RGB40K - RGB + Neutral white 4000K 4:1 RGB60K - RGB + Cold white 6000K 4:1 30K - Warm white 3000K 40K - Neutral white 4000K 60K - Cold white 6000K
IP	66
Operating temperature	-30°C ~ 45°C

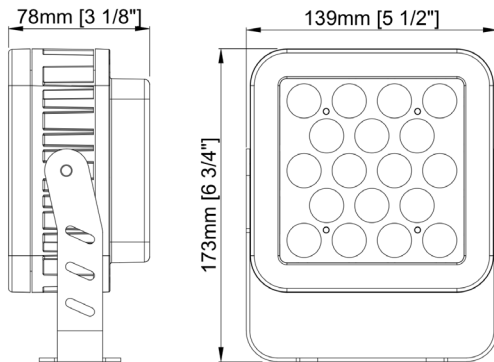
# TITANIUM

TECHNOLOGY

TT-FL02-18W



- Architectural projector with fixed or variable colors. Controlled by DMX signal (RGBW) or by triac (one color).



Voltage	24vDC	
Power	18w	
Amperage	0,75A	
Angle	one colour	8°, 15°, 30°, 45°
	RGBW	12°, 24°, 36°
Size	173 x 139 x 78 mm 6 <sup>3</sup> / <sub>4</sub> " x 5 <sup>1</sup> / <sub>2</sub> " x 3 <sup>1</sup> / <sub>8</sub> "	
Finish	BK - Black WH - White GR - Grey	
Dimmable	Yes	
LED Colour	RGB30K - RGB + Warm white 3000K 4:1 RGB40K - RGB + Neutral white 4000K 4:1 RGB60K - RGB + Cold white 6000K 4:1 30K - Warm white 3000K 40K - Neutral white 4000K 60K - Cold white 6000K	
IP	65	
Weight	1,94 Kg	
Operating temperature	-40°C ~ 50°C	

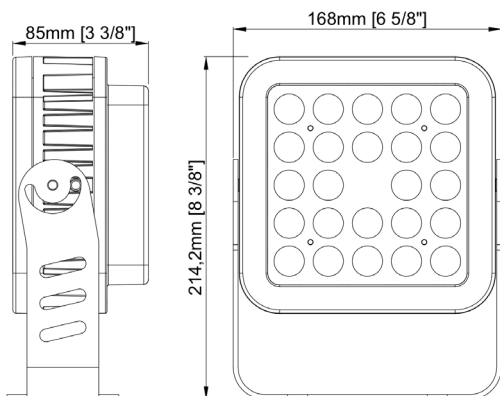
# TITANIUM

## TECHNOLOGY

TT-FL02-24W



- Architectural projector with fixed or variable colors. Controlled by DMX signal (RGBW) or by triac (one color).



Voltage	24vDC	
Power	24w	
Amperage	1A	
Angle	one colour	8°, 15°, 30°, 45°
	RGBW	12°, 24°, 36°
Size	214 x 168 x 85 mm 8 <sup>3</sup> / <sub>8</sub> " x 6 <sup>5</sup> / <sub>8</sub> " x 3 <sup>3</sup> / <sub>8</sub> "	
Finish	BK - Black WH - White GR - Grey	
Dimmable	Yes	
LED Colour	RGB30K - RGB + Warm white 3000K 4:1 RGB40K - RGB + Neutral white 4000K 4:1 RGB60K - RGB + Cold white 6000K 4:1 30K - Warm white 3000K 40K - Neutral white 4000K 60K - Cold white 6000K	
IP	65	
Operating temperature	-40°C ~ 50°C	

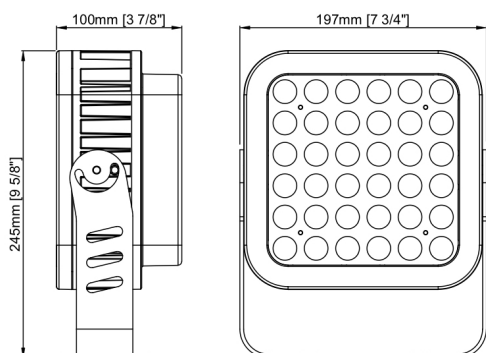
# TITANIUM

TECHNOLOGY

TT-FL02-36W



- Architectural projector with fixed or variable colors. Controlled by DMX signal (RGBW) or by triac (one color).



Voltage	120vAC	
Power	36w	
Amperage	0,3A	
Angle	one colour	8°, 15°, 30°, 45°
	RGBW	12°, 24°, 36°
Size	245 x 197 x 100 mm 9 <sup>5</sup> / <sub>8</sub> " x 7 <sup>3</sup> / <sub>4</sub> " x 3 <sup>7</sup> / <sub>8</sub> "	
Finish	BK - Black WH - White GR - Grey	
Dimmable	Yes	
LED Colour	RGB30K - RGB + Warm white 3000K 4:1 RGB40K - RGB + Neutral white 4000K 4:1 RGB60K - RGB + Cold white 6000K 4:1 30K - Warm white 3000K 40K - Neutral white 4000K 60K -Cold white 6000K	
IP	65	
Operating temperature	-40°C ~ 50°C	

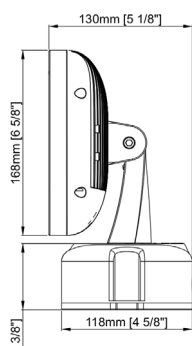
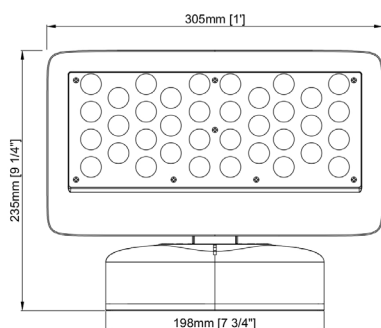
# TITANIUM

## TECHNOLOGY

TT-FL05-60W



- Architectural projector with fixed or variable colors. Controlled by DMX signal (RGBW) or by triac (one color).



Voltage	120vAC	
Power	60w	
Amperage	0,5A	
Angle	one colour	8°, 15°, 30°, 45°
	RGBW	12°, 24°, 36°
Size	235x 305 x 130 mm 9 <sup>1</sup> / <sub>4</sub> " x 1" x 5 <sup>1</sup> / <sub>8</sub> "	
Finish	BK - Black WH - White GR - Grey	
Dimmable	Yes	
LED Colour	RGB30K - RGB + Warm white 3000K 4:1 RGB40K - RGB + Neutral white 4000K 4:1 RGB60K - RGB + Cold white 6000K 4:1 30K - Warm white 3000K 40K - Neutral white 4000K 60K -Cold white 6000K	
IP	65	
Operating temperature	-40°C ~ 50°C	



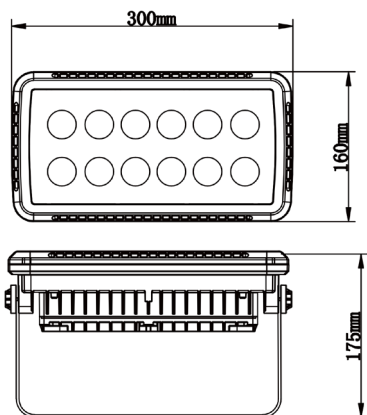
# TITANIUM

## TECHNOLOGY

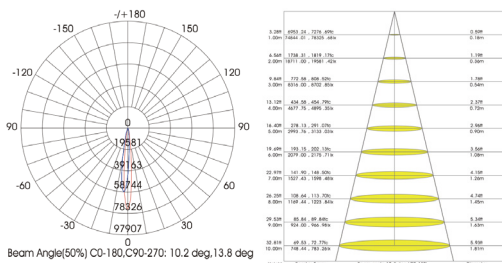
TT-FL02-65W



- Architectural projector with fixed or variable colors. Controlled by DMX signal (RGBW) or by triac (one color).



Voltage	120vDc
Power	65w
Amperage	0.83A
Angle	8°, 15°, 25°, 45°, 60°, 10 x 30°
Size	300 x 160 x 175 mm 15" x 9 <sup>1</sup> / <sub>8</sub> " x 4 <sup>3</sup> / <sub>4</sub> "
Finish	BK - Black WH - White GR - Grey
Dimmable	Yes
LED Colour	RGB30K - RGB + Warm white 3000K 4:1 RGB40K - RGB + Neutral white 4000K 4:1 RGB60K - RGB + Cold white 6000K 4:1 27K - Warm white 2700K 30K - Warm white 3000K 40K - Neutral white 4000K 60K - Cold white 6000K
IP	66
Operating temperature	-30°C ~ 45°C



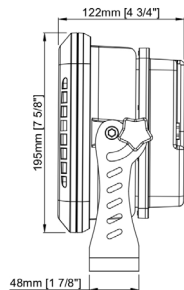
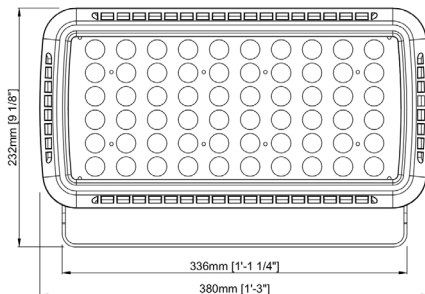
# TITANIUM

## TECHNOLOGY

TT-FL07-100W



- Architectural projector with fixed or variable colors. Controlled by DMX signal (RGBW) or by triac (one color).



Voltage	120vAC	
Power	100w	
Amperage	0.83A	
Angle	one colour	8°, 15°, 30°, 45°
	RGBW	12°, 24°, 36°
Size	380x 232 x 122 mm 15" x 9 <sup>1</sup> / <sub>8</sub> " x 4 <sup>3</sup> / <sub>4</sub> "	
Finish	BK - Black WH - White GR - Grey	
Dimmable	Yes	
LED Colour	RGB30K - RGB + Warm white 3000K 4:1 RGB40K - RGB + Neutral white 4000K 4:1 RGB60K - RGB + Cold white 6000K 4:1 30K - Warm white 3000K 40K - Neutral white 4000K 60K - Cold white 6000K	
IP	65	
Operating temperature	-40°C ~ 50°C	

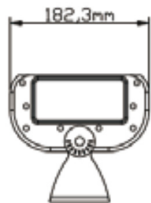
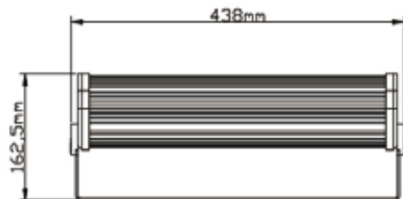
# TITANIUM

TECHNOLOGY

TT-FL02-192W



- Architectural projector with fixed or variable colors. Controlled by DMX signal (RGBW) or by triac (one color).



Voltage	120vDc	
Power	192w	
Amperage	1,6A	
Angle	one colour	8°
	RGBW	15°, 10 x 30°
Size	438 x 182 x 163mm 17 <sup>1</sup> / <sub>4</sub> " x 7 <sup>5</sup> / <sub>16</sub> " x 6 <sup>7</sup> / <sub>16</sub> "	
Finish	BK - Black WH - White GR - Grey	
Dimmable	30K, 40K, 60K	Yes via Triac
	RGBW	Yes via DMX
LED Colour	RGB30K - RGB + Warm white 3000K 4:1 RGB40K - RGB + Neutral white 4000K 4:1 RGB60K - RGB + Cold white 6000K 4:1 30K - Warm white 3000K 40K - Neutral white 4000K 60K - Cold white 6000K	
IP	65	
Operating temperature	-30°C ~ 45°C	

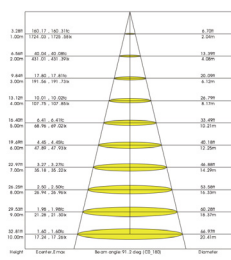
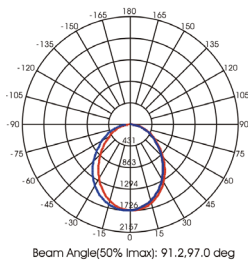
# TITANIUM

TECHNOLOGY

TT-FL04-35W



Voltage	120vDc
Power	35w
Amperage	0,3A
Angle	120°
Size	55 x 86.4 x 1200mm 2 <sup>3</sup> / <sub>16</sub> " x 3 <sup>7</sup> / <sub>16</sub> " x 47 <sup>1</sup> / <sub>4</sub> "
Finish	WH - White
Dimmable	Yes by Triac
LED Colour	30K - Warm white 3000K 40K - Neutral white 4000K 50K - Neutral white 5000K
IP	65
Operating temperature	-30°C ~ 45°C



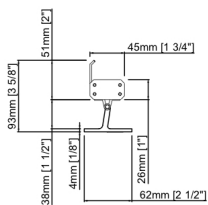
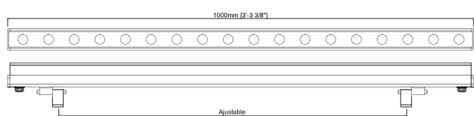
# TITANIUM

## TECHNOLOGY

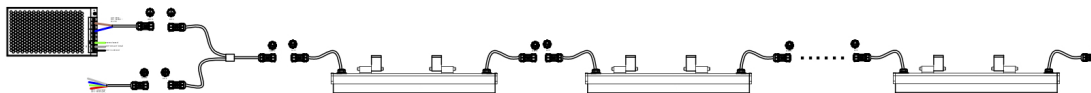
TT-FL04-24W



- RGBW quad bar.
- Twelve channels DMX.
- Waterproof connector



Voltage	24vDC
Power	24w
Amperage	1A
Angle	15°, 30°
Size	1000mm x 45mm x 75mm 39 <sup>3</sup> / <sub>8</sub> " x 1 <sup>3</sup> / <sub>4</sub> " x 3"
Finish	Black
Control	DMX (12 channels)
LED Colour	RGB30K - RGB + Warm white 3000K
	RGB40K - RGB + Neutral white 4000K
	RGB60K - RGB + Cold white 5000K
IP	65



# TITANIUM

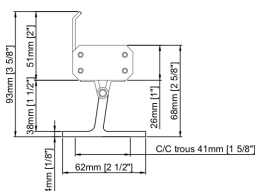
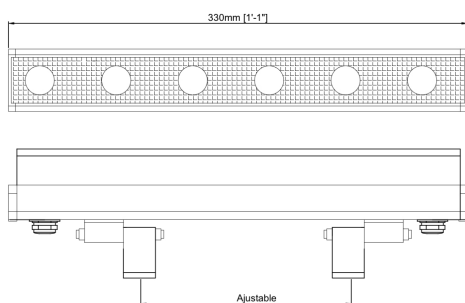
TECHNOLOGY

TT-FL04-12W



- RGBW quad bar.
- Four channels DMX.
- Waterproof connector

Voltage	24vDC
Power	12w
Amperage	0,5A
Angle	15°, 30°
Size	330mm x 45mm x 75mm 13" x 1 <sup>3</sup> / <sub>4</sub> " x 3"
Finish	Black
Control	DMX (4 channels)
LED Colour	<b>RGB30K</b> - RGB + Warm white 3000K <b>RGB40K</b> - RGB + Neutral white 4000K <b>RGB60K</b> - RGB + Cold white 5000K
IP	65



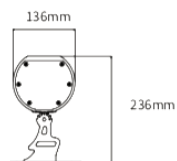
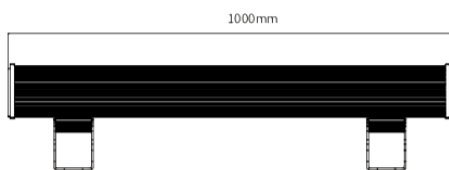
# TITANIUM

TECHNOLOGY

TT-FL10-150W



- Tough strong design, IP66 wallwasher light, fashion and beautiful appearance, with the design of increasing heat dissipation to fully ensure the stability and long lifespan of led fixtures. The light body adopts #6063 aluminium alloy molding, surface with anodizing treatment, lampshade adopts imported tempered glass, has excellent rainwater clean ability.



Voltage	100~277vAC	
Power	150w	
Amperage	1,25A	
Angle	one colour	8°, 30°, 40°, 60°
	RGBW	25°
Size	1000x 236 x 136 mm 39" x 9 <sup>1</sup> / <sub>4</sub> " x 5 <sup>3</sup> / <sub>8</sub> "	
Finish	BK - Black WH - White GR - Grey	
Dimmable	30K, 40K, 60K	No
	RGBW	Yes via DMX
LED Colour	RGB30K - RGB + Warm white 3000K 4:1 RGB40K - RGB + Neutral white 4000K 4:1 RGB60K - RGB + Cold white 6000K 4:1 30K - Warm white 3000K 40K - Neutral white 4000K 60K - Cold white 5700K	
IP	66	
Operating temperature	-40°C ~ 50°C	

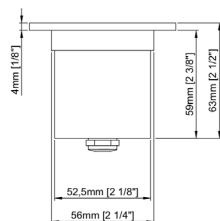
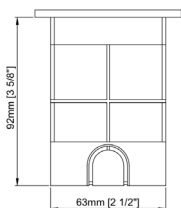
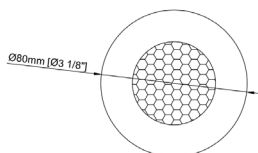
# TITANIUM

## TECHNOLOGY

TT-UGD-001-6W



- IP67 light, water resistant, for indoor use, outdoor and humid place.



Voltage	24vDC
Power	6w
Amperage	0,25A
Angle	15°
Size	Ø80 mm x 63 mm Ø3 1/8" x 2 1/2"
Cut hole	56 mm 2 1/4"
Finish	Nickel brush
Dimmable	Yes
LED Colour	30K - Warm white 3000K 40K - Neutral white 4000K 60K - Cold white 5 0000K
IP	67
Operating temperature	-40°C ~ 50°C



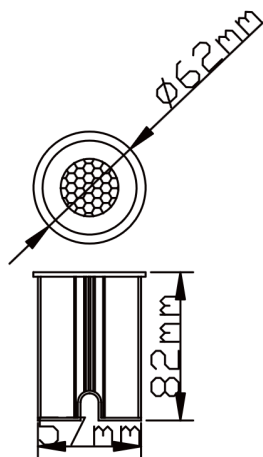
# TITANIUM

## TECHNOLOGY

TT-UGD-001-3W



- IP67 light, water resistant, for indoor use, outdoor and humid place.

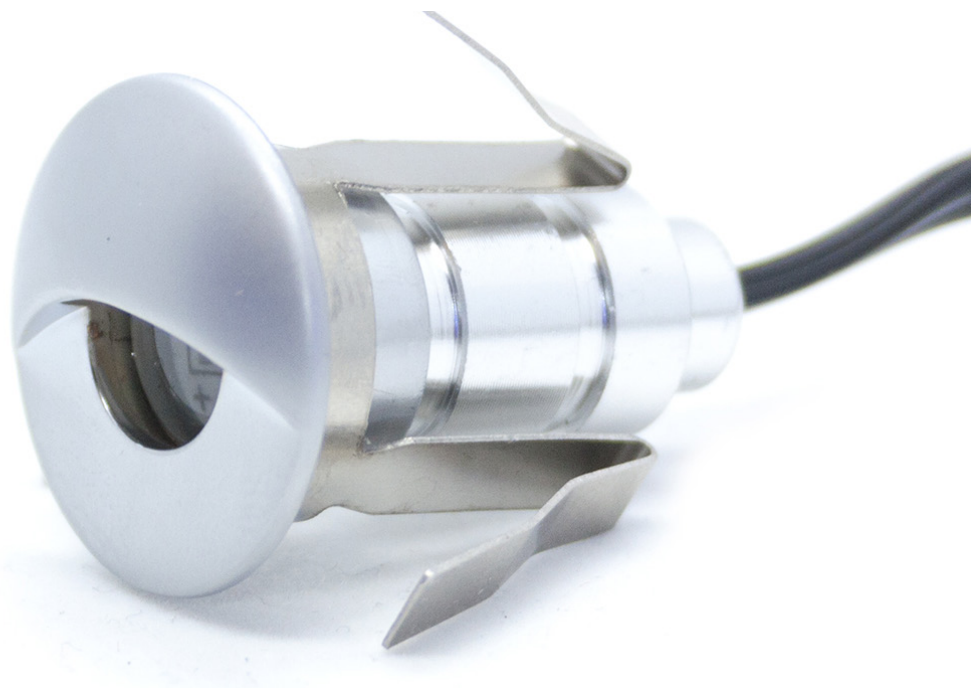


Voltage	24vDC
Power	3w
Amperage	0,125A
Angle	15°
Size	Ø62 X 82mm Ø2 <sup>7</sup> / <sub>16</sub> " X 3 <sup>1</sup> / <sub>4</sub> "
Cut hole	56 mm 2 <sup>1</sup> / <sub>4</sub> "
Finish	Nickel brush
Dimmable	Yes
LED Colour	27K - Warm white 2700K 30K - Warm white 3000K 40K - Neutral white 4000K 60K - Cold white 5 0000K
IP	67
Operating temperature	-30°C ~ 45°C

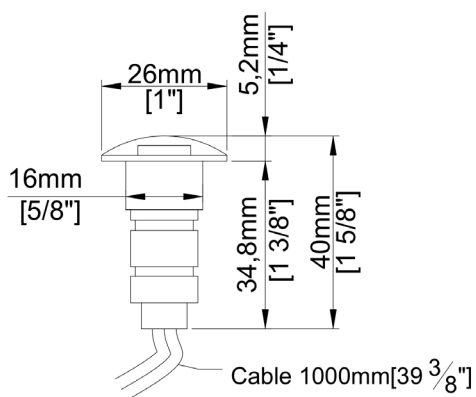
# TITANIUM

## TECHNOLOGY

### TT-STEP



- IP65 light, water resistant, for indoor use, outdoor and humid place.
- Ideal for stairs.



Voltage	12vDC
Power	0,7W RGB 0.8W
Amperage	0,06A
Lumen	17 lm (30K) 20 lm (40K) 22 lm (50K)
Size	Ø26mm x 40mm Ø1" x 1 5/8"
Cut hole	16mm 5/8"
Finish	SA - Silver
Dimmable	Yes
LED Colour	30K - Warm white 3000K 40K - Neutral white 4000K 50K - Cold white 5000K RGB - Color mixing 3:1
IP	65

# LIMITED TWO (2) YEARS WARRANTY

Titanium Technology offers this limited warranty for two (2) years from the date of purchase of this Titanium Technology product (hereafter : the «Product»). A list of all the Titanium Technology products covered by this limited warranty is given at the end of this document.



This limited warranty is valid only for the Product and it may not be transferred.

The present limited warranty is not meant to exclude, restrict, limit or modify the legal warranty given by law to the purchaser of the Product.

This is a quality Product. It was made and selected with care. If the Product contains a manufacturing defect or if one or more parts of the Product is defective, the retailer commits to replace or repair, at its sole discretion, the defective part of parts without charge under the following cumulative conditions : 1) the purchaser must contact the retail store where the Product was purchased; 2) the purchaser must return the defective part of parts or the Product to the retailer; 3) the purchaser must provide the retailer the invoice as proof of purchase and date of purchase of the Product; 4) the purchaser must supply the Product identification information, including the serial number or the model number; and 5) the period of two (2) years covered by this limited warranty must not be expired. If the retailer decides to replace the defective part or parts, the replacement part or parts would be new or reconditioned, equivalent to new parts.

## EXCLUSIONS AND LIMITATIONS OF THE LIMITED WARRANTY

This limited warranty is not applicable :

1. to consumable parts;
2. to normal wear;
3. when the Product is used for purposes other than those determined by the manufacturer;
4. when the Product is not installed by a qualified electrician when electrical work is required;
5. when the serial number or other identification information or the Product is erased or withdrawn;
6. to damages that are only aesthetic and do not affect the normal use of the Product, including scatches, bumps etc.;
7. to labour costs such as installation, de-installation or shipping of the Product which must be paid by the purchaser;
8. to service call costs, when the service call is made while the warranty is not valid;
9. when the damages, defects, faults or other problems arise from :
  - a. an abnormal use of the Product;
  - b. an inadequate maintenance of the Product;
  - c. a faulty installation of the Product or an installation that is not in accordance with the installation guide (if one is provided);
  - d. a modification, a repair or dismantling of the Product by a person not authorized by the retailer or the manufacturer;
  - e. the transportation by the purchaser, his employee, officer or representative;
  - f. a negligence by the purchaser, his employee, officer or representative;
  - g. an accident;
  - h. a case of force majeure (are considered force majeure : nature disasters, lightning, flood, fire etc.);
  - i. any event that is not caused by the Product itself.

In no circumstance can the manufacturer or retailer be held responsible for any extraordinary, special, indirect, accessory or consecutive damages resulting from the use of or the incapacity to use the Product. Their responsibility is limited to the sale price of the Product as indicated on the notice and paid by the purchaser at the time of purchase. It is understood that this is not meant to limit, restrict or exclude the protection given by the legal warranty.

## FRENCH VERSION VS ENGLISH VERSION

In case of discrepancy between the French and the English versions of the text of this limited warranty, the French version shall prevail.

## MODIFICATIONS

The present warranty text is subject to change at any time.

List of Titanium Technology products covered under this limited warranty :

- |                              |              |             |
|------------------------------|--------------|-------------|
| 1) TT-LUS-XX                 | 3) TT-TRK-XX | 5)TT-UGD-XX |
| 2) TT-PSU-IP67-XX (MEANWELL) | 4)TT-STEP-XX |             |

Note : This product list may not be up to date. Please refer to the product itself (including the package or installation guide) to make sure it is covered by this limited warranty.

# LIMITED THREE (3) YEARS WARRANTY

Titanium Technology offers this limited warranty for three (3) years from the date of purchase of this Titanium Technology product (hereafter : the «Product»). A list of all the Titanium Technology products covered by this limited warranty is given at the end of this document.

This limited warranty is valid only for the Product and it may not be transferred.

The present limited warranty is not meant to exclude, restrict, limit or modify the legal warranty given by law to the purchaser of the Product.



This is a quality Product. It was made and selected with care. If the Product contains a manufacturing defect or if one or more parts of the Product is defective, the retailer commits to replace or repair, at its sole discretion, the defective part of parts without charge under the following cumulative conditions : 1) the purchaser must contact the retail store where the Product was purchased; 2) the purchaser must return the defective part of parts or the Product to the retailer; 3) the purchaser must provide the retailer the invoice as proof of purchase and date of purchase of the Product; 4) the purchaser must supply the Product identification information, including the serial number or the model number; and 5) the period of three (3) years covered by this limited warranty must not be expired. If the retailer decides to replace the defective part or parts, the replacement part or parts would be new or reconditioned, equivalent to new parts.

## EXCLUSIONS AND LIMITATIONS OF THE LIMITED WARRANTY

This limited warranty is not applicable :

1. to consumable parts;
2. to normal wear;
3. when the Product is used for purposes other than those determined by the manufacturer;
4. when the Product is not installed by a qualified electrician when electrical work is required;
5. when the serial number or other identification information or the Product is erased or withdrawn;
6. to damages that are only aesthetic and do not affect the normal use of the Product, including scatches, bumps etc.;
7. to labour costs such as installation, de-installation or shipping of the Product which must be paid by the purchaser;
8. to service call costs, when the service call is made while the warranty is not valid;
9. when the damages, defects, faults or other problems arise from :
  - a. an abnormal use of the Product;
  - b. an inadequate maintenance of the Product;
  - c. a faulty installation of the Product or an installation that is not in accordance with the installation guide (if one is provided);
  - d. a modification, a repair or dismantling of the Product by a person not authorized by the retailer or the manufacturer;
  - e. the transportation by the purchaser, his employee, officer or representative;
  - f. a negligence by the purchaser, his employee, officer or representative;
  - g. an accident;
  - h. a case of force majeure (are considered force majeure : nature disasters, lightning, flood, fire etc.);
  - i. any event that is not caused by the Product itself.

In no circumstance can the manufacturer or retailer be held responsible for any extraordinary, special, indirect, accessory or consecutive damages resulting from the use of or the incapacity to use the Product. Their responsibility is limited to the sale price of the Product as indicated on the notice and paid by the purchaser at the time of purchase. It is understood that this is not meant to limit, restrict or exclude the protection given by the legal warranty.

## FRENCH VERSION VS ENGLISH VERSION

In case of discrepancy between the French and the English versions of the text of this limited warranty, the French version shall prevail.

## MODIFICATIONS

The present warranty text is subject to change at any time.

List of Titanium Technology products covered under this limited warranty :

- |                 |                   |                               |
|-----------------|-------------------|-------------------------------|
| 1) TT-2216-XX * | 6) TT-5630-XX *   | 11) TT-FL-XX-XX               |
| 2) TT-2835-XX * | 7) TT-DOWN-007-XX | 12) TT-PSU-IP20-XX (MEANWELL) |
| 3) TT-335-XX *  | 8) TT-DOWN-008-XX | 13) TT-PUCK-2.2W-XX           |
| 4) TT-3528-XX * | 9) TT-DOWN-016-XX | 14) TT-PUCK-3W-XX             |
| 5) TT-5050-XX * | 10) TT-DR-CV-XX   | 15) TT-PUCK-400-V3            |

\* LED strips are only guaranteed if they are installed in our aluminum profiles and use our transformers.

Note : This product list may not be up to date. Please refer to the product itself (including the package or installation guide) to make sure it is covered by this limited warranty.

# TITANIUM

TECHNOLOGY



## TITANIUM TECHNOLOGY

2323, boulevard Versant Nord #111  
Québec, QC  
G1N 4P4 CANADA  
(866) 476-8115

[www.titaniumtechnology.com](http://www.titaniumtechnology.com)  
[sales@titaniumtechnology.com](mailto:sales@titaniumtechnology.com)  
[www.facebook.com/titaniumtechnologie](https://www.facebook.com/titaniumtechnologie)