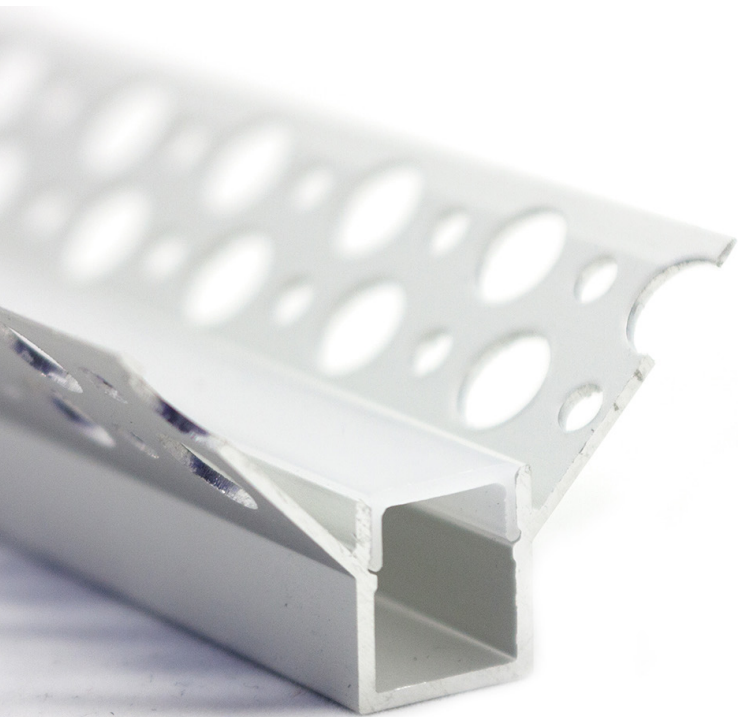


**TITANIUM**  
TECHNOLOGY



**Aluminium Profile**  
**2022**



Power (W/m)	Luminous flux (lm/feet)	CRI	CCT (Kelvin)	Length (inch)
5,9 ~ 34	38 ~ 600	90	2700 ~ 6000	1 ~ 118

**TT-01-3000** Page 5



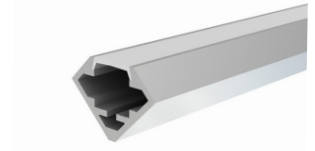
Power (W/m)	Luminous flux (lm/feet)	CRI	CCT (Kelvin)	Length (inch)
5,9 ~ 34	38 ~ 600	90	2700 ~ 6000	1 ~ 118

**TT-04-3000** Page 6



Power (W/m)	Luminous flux (lm/feet)	CRI	CCT (Kelvin)	Length (inch)
5,9 ~ 34	38 ~ 600	90	2700 ~ 6000	1 ~ 118

**TT-06-3000** Page 7



Power (W/m)	Luminous flux (lm/feet)	CRI	CCT (Kelvin)	Length (inch)
5,9 ~ 34	38 ~ 600	90	2700 ~ 6000	1 ~ 118

**TT-07-3000** Page 8



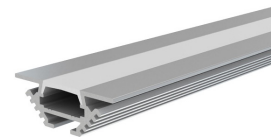
Power (W/m)	Luminous flux (lm/feet)	CRI	CCT (Kelvin)	Length (inch)
5,9 ~ 34	38 ~ 600	90	2700 ~ 6000	1 ~ 118

**TT-08-3000** Page 9



Power (W/m)	Luminous flux (lm/feet)	CRI	CCT (Kelvin)	Length (inch)
5,9 ~ 34	38 ~ 600	90	2700 ~ 6000	1 ~ 118

**TT-09-3000** Page 10



Power (W/m)	Luminous flux (lm/feet)	CRI	CCT (Kelvin)	Length (inch)
5,9 ~ 34	38 ~ 600	90	2700 ~ 6000	1 ~ 118

**TT-10-3000** Page 11



Power (W/m)	Luminous flux (lm/feet)	CRI	CCT (Kelvin)	Length (inch)
5,9 ~ 34	38 ~ 600	90	2700 ~ 6000	1 ~ 118

**TT-16-3000** Page 12



Power (W/m)	Luminous flux (lm/feet)	CRI	CCT (Kelvin)	Length (inch)
5,9 ~ 34	38 ~ 600	90	2700 ~ 6000	1 ~ 118

**TT-21-3000** Page 13





Power (W/m)	Luminous flux (lm/foot)	CRI	CCT (Kelvin)	Length (inch)
5,9 ~ 34	38 ~ 600	90	2700 ~ 6000	1 ~ 118

**TT-22-3000** Page 14



Power (W/m)	Luminous flux (lm/foot)	CRI	CCT (Kelvin)	Length (inch)
5,9 ~ 34	38 ~ 600	90	2700 ~ 6000	1 ~ 118

**TT-23-2000** Page 15



Power (W/m)	Luminous flux (lm/foot)	CRI	CCT (Kelvin)	Length (inch)
5,9 ~ 34	38 ~ 600	90	2700 ~ 6000	1 ~ 118

**TT-24-2000** Page 16



Power (W/m)	Luminous flux (lm/foot)	CRI	CCT (Kelvin)	Length (inch)
5,9 ~ 34	38 ~ 600	90	2700 ~ 6000	1 ~ 118

**TT-25-3000** Page 17



Power (W/m)	Luminous flux (lm/foot)	CRI	CCT (Kelvin)	Length (inch)
5,9 ~ 34	38 ~ 600	90	2700 ~ 6000	1 ~ 118

**TT-32-2000** Page 18



Power (W/m)	Luminous flux (lm/foot)	CRI	CCT (Kelvin)	Length (inch)
5,9 ~ 34	38 ~ 600	90	2700 ~ 6000	1 ~ 118

**TT-38-3000** Page 19



Power (W/m)	Luminous flux (lm/foot)	CRI	CCT (Kelvin)	Length (inch)
5,9 ~ 34	38 ~ 600	90	2700 ~ 6000	1 ~ 118

**TT-40-2000** Page 20



Power (W/m)	Luminous flux (lm/foot)	CRI	CCT (Kelvin)	Length (inch)
5,9 ~ 34	38 ~ 600	90	2700 ~ 6000	1 ~ 118

**TT-40-3000-BK** Page 21



Power (W/m)	Luminous flux (lm/foot)	CRI	CCT (Kelvin)	Length (inch)
5,9 ~ 34	38 ~ 600	90	2700 ~ 6000	1 ~ 118

**TT-52-3000** Page 22



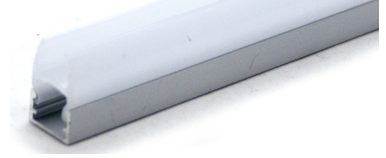
# TITANIUM

## TECHNOLOGY



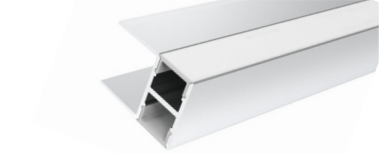
Power (W/m)	Luminous flux (lm/foot)	CRI	CCT (Kelvin)	Length (inch)
5,9 ~ 34	38 ~ 600	90	2700 ~ 6000	1 ~ 118

**TT-64-3000** Page 23



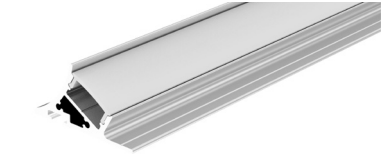
Power (W/m)	Luminous flux (lm/foot)	CRI	CCT (Kelvin)	Length (inch)
5,9 ~ 34	38 ~ 600	90	2700 ~ 6000	1 ~ 118

**TT-65-3000** Page 24



Power (W/m)	Luminous flux (lm/foot)	CRI	CCT (Kelvin)	Length (inch)
5,9 ~ 34	38 ~ 600	90	2700 ~ 6000	1 ~ 118

**TT-66-2000** Page 25



Power (W/m)	Luminous flux (lm/foot)	CRI	CCT (Kelvin)	Length (inch)
5,9 ~ 34	38 ~ 600	90	2700 ~ 6000	1 ~ 118

**TT-68-3000** Page 26



### PRODUCT BUILDER CODE

TT	PROFILE	LENGTH (inch)	LUMEN PACKAGE	COLOUR CCT	IP	VOLTAGE	LEAD IN (inch)	LEAD OUT (inch)	END CAP	CLIP	PSU
TT											

<b>28/6</b> 221 lm/foot 5W/foot	<b>27</b> 2700K	<b>20</b>	<b>12</b>	<b>Hxxxx</b> 12 inchs minimum	<b>empty</b> No lead out	<b>NE</b> No end cap	<b>NC</b> No Clip	<b>n/a</b> No psu
<b>28/6 H</b> 527 lm/foot 6,25W/foot *24v only	<b>30</b> 3000K	<b>65</b>	<b>24</b>	<b>DCxxxx</b> 12 inchs minimum	<b>Hxxxx</b> 12 inchs minimum	<b>EC</b> With end cap	<b>xC</b> x=QTE	<b>P</b> Plug-in
<b>28/12</b> 456 lm/foot 9W/foot *24v only	<b>35</b> 3500K			<b>DCxxxx</b> 12 inchs minimum	<b>DCxxxx</b> 12 inchs minimum			<b>CV</b> Dimmable
<b>35/3</b> 45 lm/foot 1,5W/foot	<b>40</b> 4000K							<b>CV-BOX</b> Dimmable with box
<b>35/6</b> 120 lm/foot 3W/foot	<b>60</b> 6000K							<b>CV67</b> IP67 psu
<b>22/15</b> 425 lm/foot 9W/foot *24v only	<b>RE</b> RED							<b>120V</b> No dimmable 120v psu
<b>50/3</b> 4,5W/foot	<b>GR</b> GREEN							<b>347V</b> No dimmable 347V PSU
<b>DX/24</b> DIGITAL DMX *24V only	<b>BL</b> BLUE							<b>010</b> 0-10v PSU
	<b>AM</b> AMBER							
	<b>PK</b> PINK *28/6 only							
	<b>CB</b> CYAN *28/6 only							
	<b>OR</b> ORANGE *28/6 only							
	<b>UV</b> *28/6 only							
	<b>RGB</b> *50/3, 28/6 or 35/6 only							
	<b>RGBWW</b> *50/3 only							
	<b>RGBNW</b> *50/3 only							
	<b>RGBCW</b> *50/3 only							
	<b>RGBCCT</b> *50/3 only							

For a custom color, add at the end of the manufacturer code number COLOR RAL K7. Contact your dealer about the additional cost to a special color.

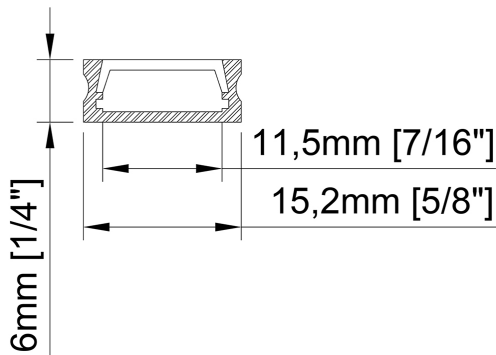
# TITANIUM

TECHNOLOGY

TT-01-3000-O



- Aluminum profile with opal acrylic.
- Designed to cover and dissipate heat the LED strips.
- Available in lengths 3000 mm (118 ").

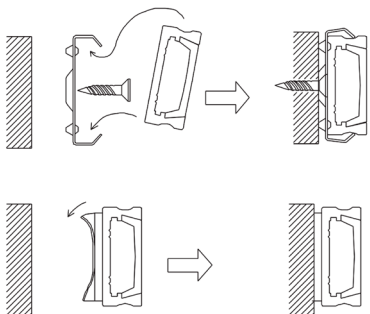


Size 15,2mm x 6mm x 3000mm  
 $5/8" \times 1/4" \times 118 1/8"$

Length 3000mm  
118 1/8"

Internal width 11,5mm  
 $7/16"$

Cover Opal



## Accessories



TT-01-CLIP

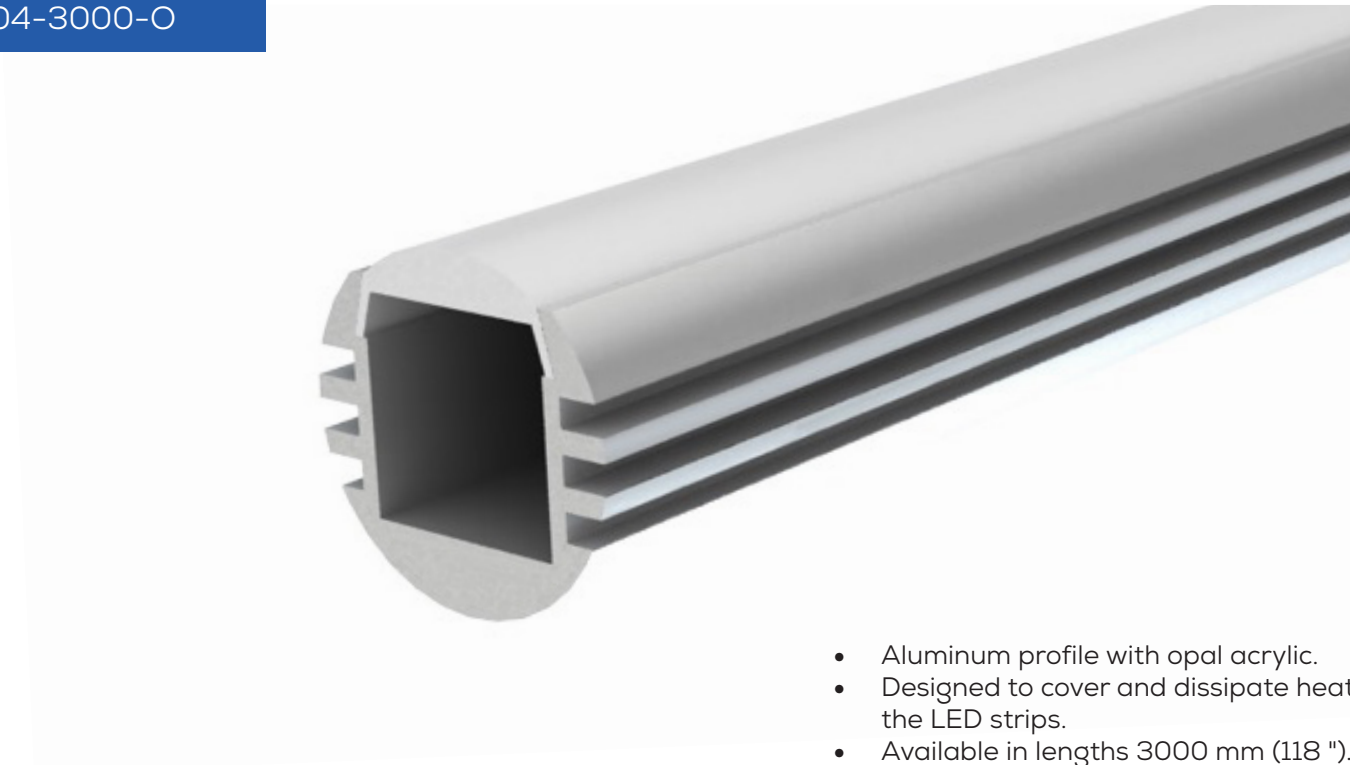


TT-01-END

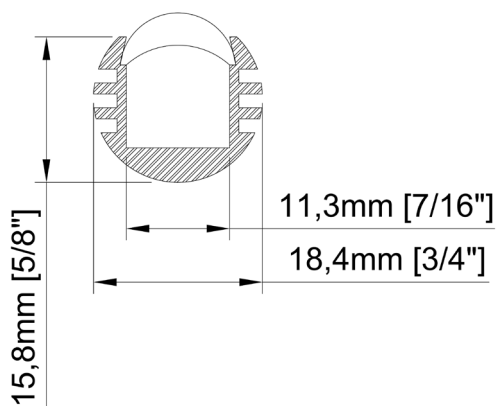
# TITANIUM

TECHNOLOGY

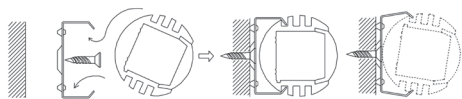
TT-04-3000-O



- Aluminum profile with opal acrylic.
- Designed to cover and dissipate heat the LED strips.
- Available in lengths 3000 mm (118 ").



Size	Ø18,4mm x 3000mm Ø¾" x 118 1/8"
Lenght	3000mm 118 1/8"
Internal width	11,3mm 7/16"
Cover	Opal



## Accessories



TT-04-CLIP



TT-04-END

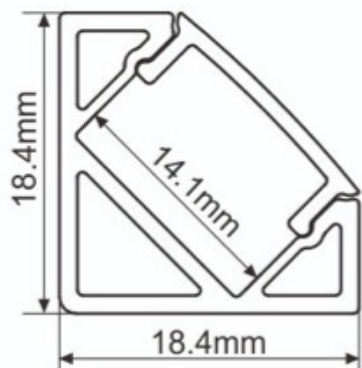
# TITANIUM

TECHNOLOGY

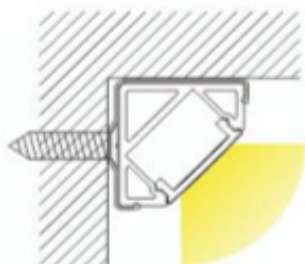
TT-06-3000-O



- Aluminum profile with opal acrylic.
- Designed to cover and dissipate heat the LED strips.
- Available in lengths 3000 mm (118 ").



Size	18,4mm x 18,4mm x 3000mm $\frac{3}{4}'' \times \frac{3}{4}'' \times 118 \frac{1}{8}''$
Length	3000mm $118 \frac{1}{8}''$
Internal width	14,1mm $\frac{9}{16}''$
Cover	Matte Opal PMMA Clear PMMA Black PMMA PC diffuser



## Accessories



TT-06-CLIP



TT-06-END

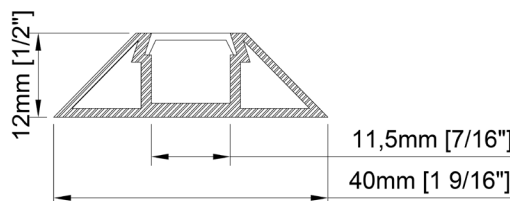
# TITANIUM

TECHNOLOGY

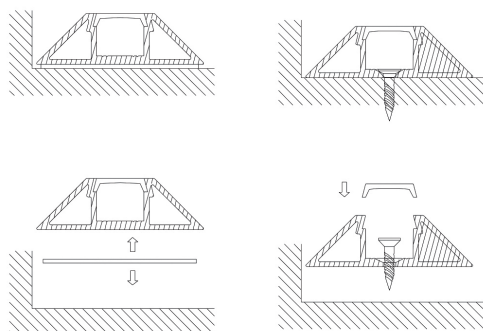
TT-07-3000-O



- Aluminum profile with opal acrylic.
- Designed to cover and dissipate heat the LED strips.
- Available in lengths 3000 mm (118 ").



Size	40mm x 12mm x 3000mm 1 9/16" x 1/2" x 118 1/8"
Length	3000mm 118 1/8"
Internal width	11,5mm 7/16"
Cover	Opal



### Accessories



TT-07-END



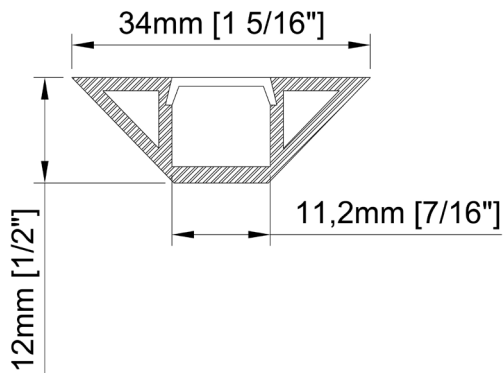
# TITANIUM

TECHNOLOGY

TT-08-3000-O



- Aluminum profile with opal acrylic.
- Designed to cover and dissipate heat the LED strips.
- Available in lengths 3000 mm (118 ").

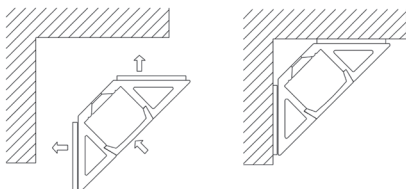
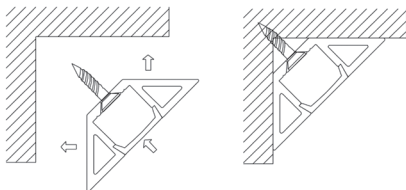


Size 34mm x 12mm x 3000mm  
 $1\frac{5}{16}'' \times \frac{1}{2}'' \times 118\frac{1}{8}''$

Lenght 3000mm  
 $118\frac{1}{8}''$

Internal width 11,2mm  
 $\frac{7}{16}''$

Cover Opal



## Accessories

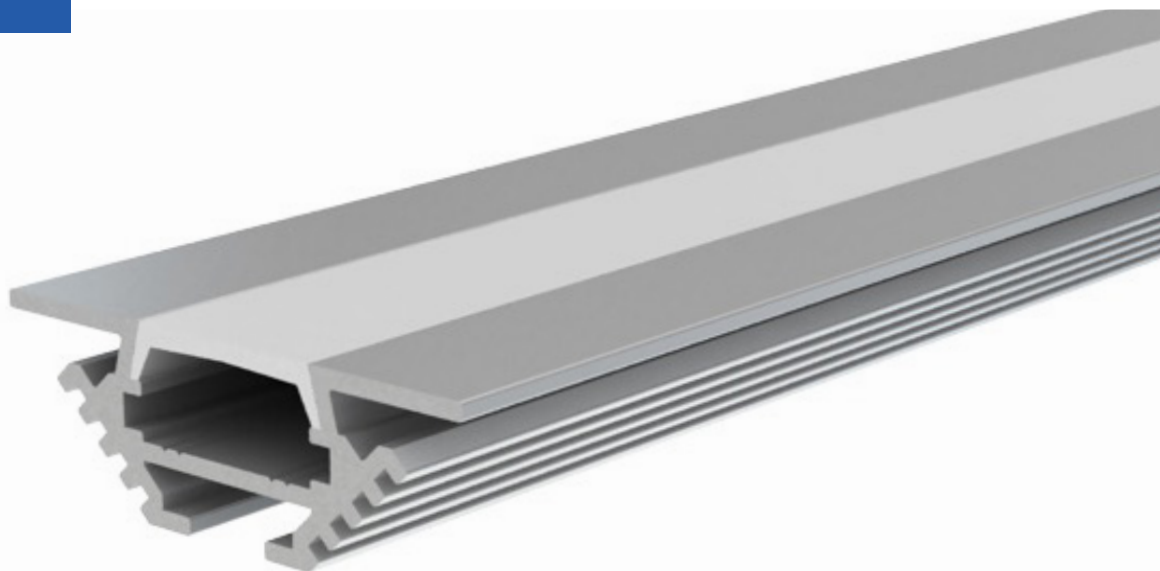


TT-08-END

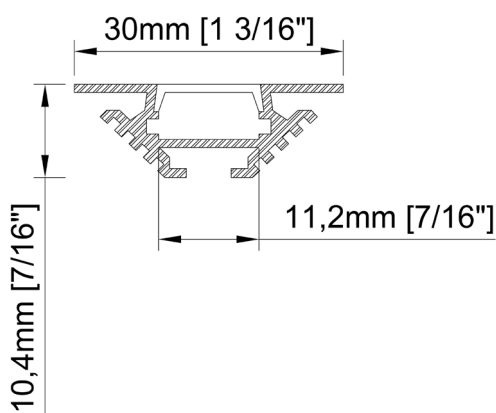
# TITANIUM

TECHNOLOGY

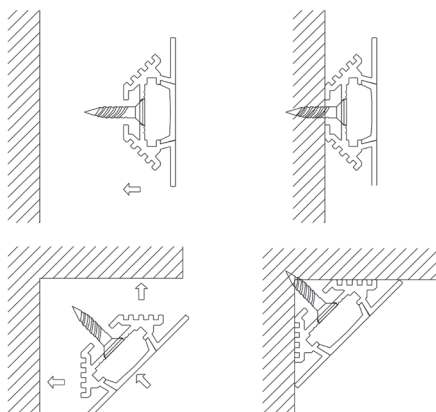
TT-09-3000-O



- Aluminum profile with opal acrylic.
- Designed to cover and dissipate heat the LED strips.
- Available in lengths 3000 mm (118").



Size	30mm x 10,4mm x 3000mm 1 <sup>3</sup> / <sub>16</sub> " x 7/ <sub>16</sub> " x 118 <sup>1</sup> / <sub>8</sub> "
Length	3000mm 118 <sup>1</sup> / <sub>8</sub> "
Internal width	11,2mm 7/ <sub>16</sub> "
Cover	Opal



## Accessories



TT-09-END

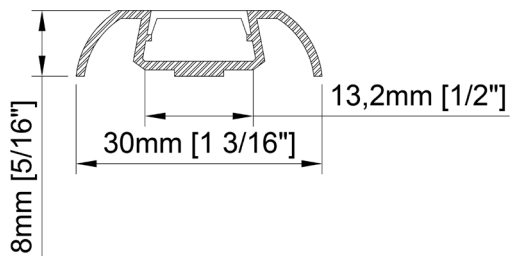
# TITANIUM

TECHNOLOGY

TT-10-3000-O



- Aluminum profile with opal acrylic.
- Designed to cover and dissipate heat the LED strips.
- Available in lengths 3000 mm (118 ").

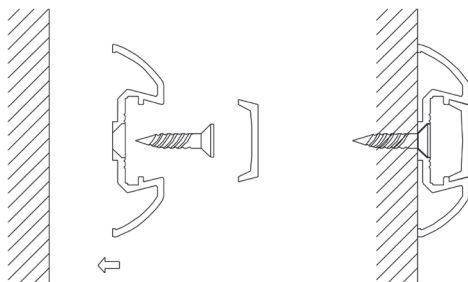


Size	30mm x 8mm x 3000mm 1 <sup>3</sup> / <sub>16</sub> " x 5 <sup>5</sup> / <sub>16</sub> " x 118 <sup>1</sup> / <sub>8</sub> "
------	--

Lenght	3000mm 118 1 <sup>1</sup> / <sub>8</sub> "
--------	---

Internal width	13,2mm 1 <sup>1</sup> / <sub>2</sub> "
----------------	---

Cover	Opal
-------	------



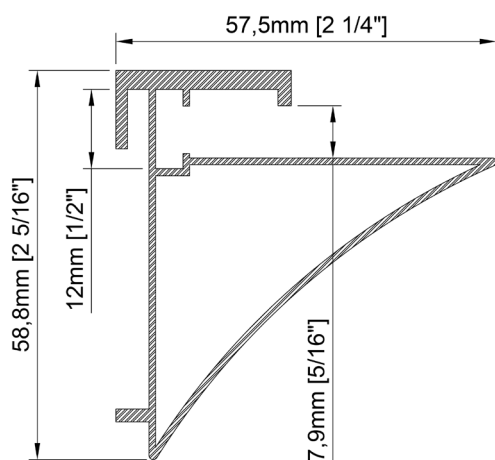
## Accessories



TT-10-END

TT-16-2000-O

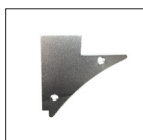
- Aluminum profile for attaching a glass shelf of 8mm.
- Designed to cover the LED strips and diffuse the light in the glass.
- Designed to be wall mounted.
- Available in lengths 2000 mm (78<sup>3</sup>/<sub>4</sub>").



Size	57,5mm x 58,8mm x 2000mm 2 <sup>1</sup> / <sub>4</sub> " x 2 <sup>5</sup> / <sub>16</sub> " x 78 <sup>3</sup> / <sub>4</sub> "
Length	2000mm 78 <sup>3</sup> / <sub>4</sub> "
Internal width	12mm 1/2"
Cover	None

\*Glass not include.

#### Accessories



TT-16-END

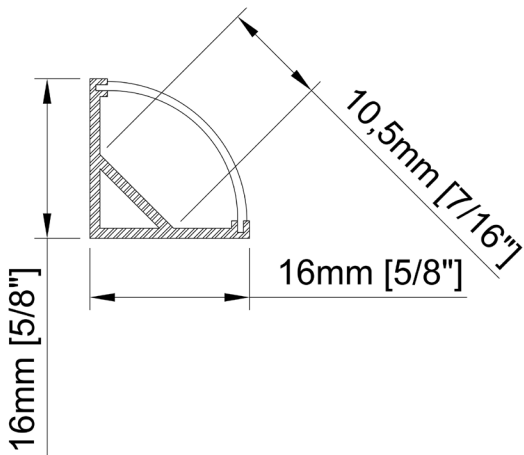
# TITANIUM

TECHNOLOGY

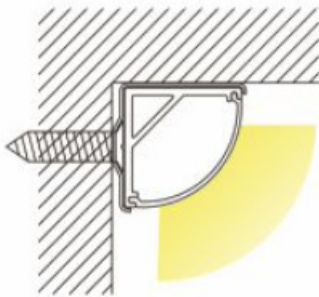
TT-21-3000-O



- Aluminum profile with white acrylic.
- Designed to cover and dissipate heat the LED strips.
- Available in lengths 3000 mm (118<sup>1</sup>/<sub>8</sub>").



Size	16mm x 16mm x 3000mm 5/8" x 5/8" x 118 <sup>1</sup> / <sub>8</sub> "
Length	3000mm 118 <sup>1</sup> / <sub>8</sub> "
Internal width	10,5mm 7/16"
Cover	Matte Opal PMMA Clear PMMA Black PMMA PC diffuser



## Accessories



TT-21-CLIP



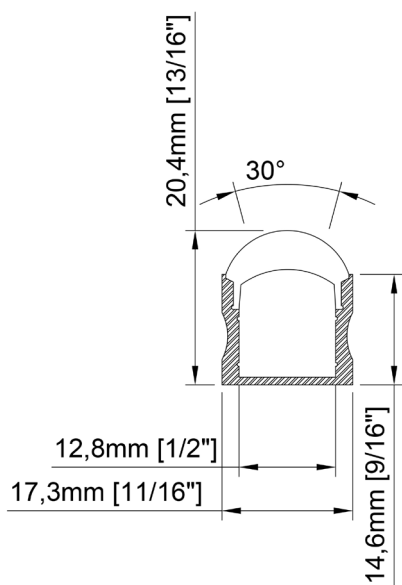
TT-21-END

# TITANIUM

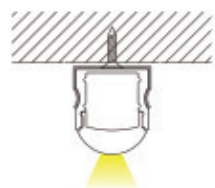
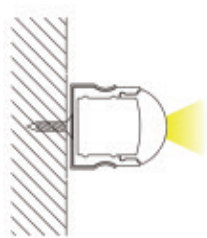
## TECHNOLOGY

TT-22-3000-O

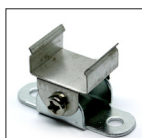
- Aluminum profile with clear acrylic.
- Designed to cover the LED ribbons and dissipate heat.
- Acrylic lens concentrates the light in a range of 30°
- Swivel attachment to guide the light.
- Available in lengths 3000 mm (118<sup>1</sup>/<sub>8</sub>").



Size	20,4mm x 17,3mm x 3000mm 1 <sup>3</sup> / <sub>16</sub> " x 1 <sup>1</sup> / <sub>16</sub> " x 118 <sup>1</sup> / <sub>8</sub> "
Length	3000mm 118 <sup>1</sup> / <sub>8</sub> "
Internal width	12,8mm 1/2"
Cover	Clear, 30° lens



### Accessories



TT-22-CLIP



TT-22-END

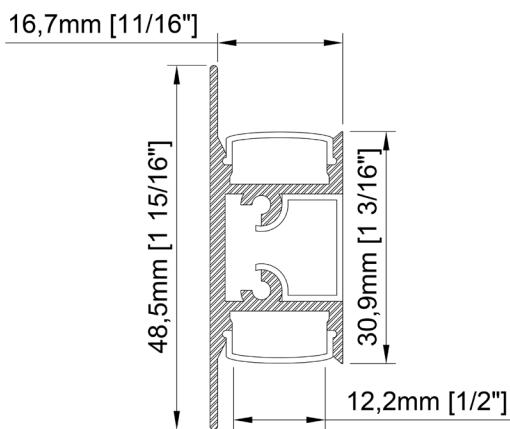
# TITANIUM

TECHNOLOGY

TT-23-2000-O



- Aluminum profile with opal acrylic.
- Designed to cover and dissipate heat the LED strips.
- Available in lengths 2000 mm (78<sup>3</sup>/<sub>4</sub> ").

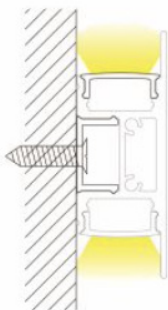


Size	48,5mm x 16,7mm x 2000mm 1 <sup>15</sup> / <sub>16</sub> " x 1 <sup>11</sup> / <sub>16</sub> " x 78 <sup>3</sup> / <sub>4</sub> "
------	--

Lenght	2000mm 78 <sup>3</sup> / <sub>4</sub> "
--------	--

Internal width	2 x 12,2mm 2 x 1/2"
----------------	------------------------

Cover	Matte Opal PMMA Clear PMMA Black PMMA PC diffuser
-------	--



## Accessories



TT-23-CLIP



TT-23-END

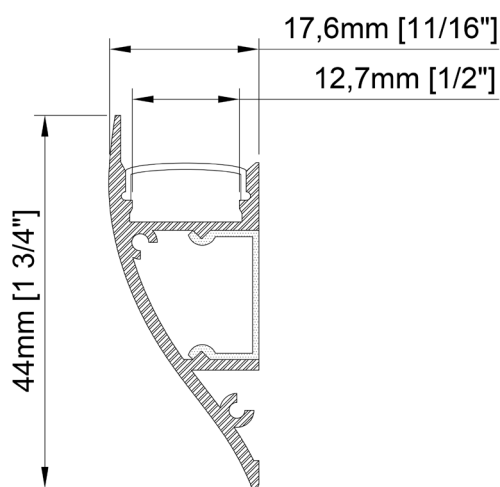
# TITANIUM

TECHNOLOGY

TT-24-2000-O



- Designed to cover and dissipate heat the LED strips.
- Available in lengths 2000 mm (78<sup>3</sup>/<sub>4</sub> ").



Size 44mm x 17,6mm x 2000mm  
1<sup>3</sup>/<sub>4</sub>" x 11/16" x 78<sup>3</sup>/<sub>4</sub>"

Length 2000mm  
78<sup>3</sup>/<sub>4</sub>"

Internal width 12,7mm  
1/2"

Cover Matte Opal PMMA  
Clear PMMA  
Black PMMA  
PC diffuser



## Accessories



TT-24-CLIP



TT-24-END



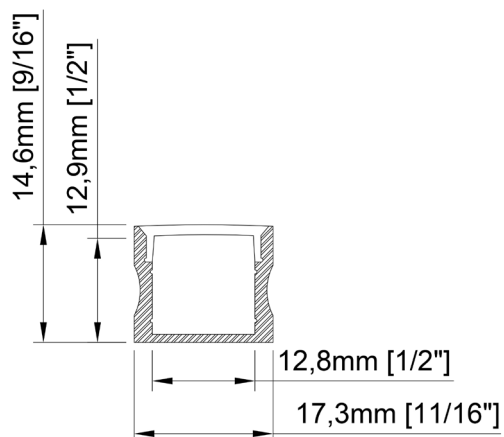
# TITANIUM

TECHNOLOGY

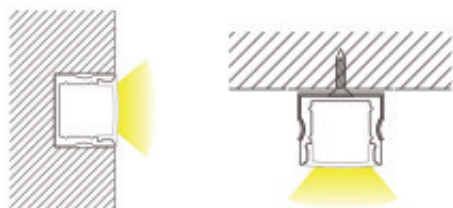
TT-25-3000-O



- Aluminum profile with white acrylic.
- Designed to cover and dissipate heat the LED strips.
- Available in lengths 3000 mm (118<sup>1</sup>/<sub>8</sub> ").



Size	3000mm x 17,3mm x 14,6mm 118 <sup>1</sup> / <sub>8</sub> " x 11/16" x 9/16"
Lenght	3000mm 118 <sup>1</sup> / <sub>8</sub> "
Internal width	12,8mm 1/2"
Cover	Matte Opal PMMA Clear PMMA Black PMMA PC diffuser



## Accessories



TT-25-CLIP



TT-25-END

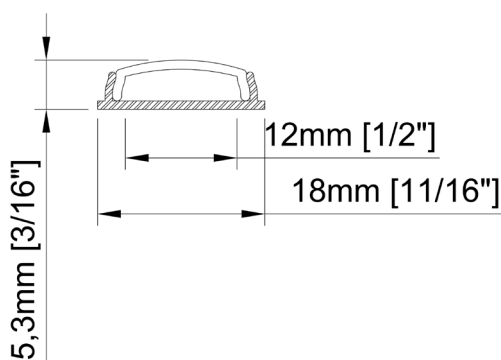
# TITANIUM

## TECHNOLOGY

TT-32-2000-O



- Aluminum profile with opal acrylic.
- Designed in flexible aluminum to conceal LED ribbons and dissipate heat on curved surfaces.
- Available in lengths 2000 mm (78<sup>3</sup>/<sub>4</sub> ").



Size	18mm x 5,3mm x 2000mm $11/16" \times 3/16" \times 78^{3/4}"$
Lenght	2000mm $78^{3/4}"$
Internal width	12mm $1/2"$
Cover	Opal PC diffuser

### Accessories



TT-32-CLIP

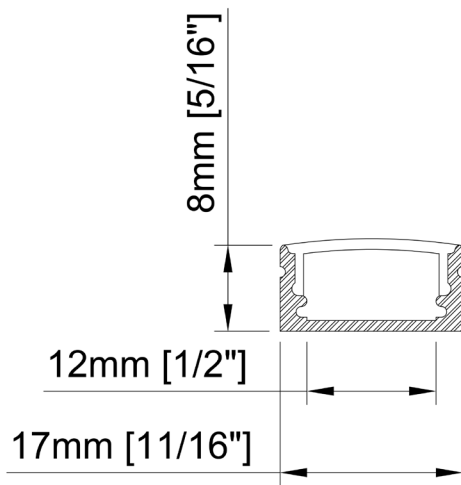
# TITANIUM

TECHNOLOGY

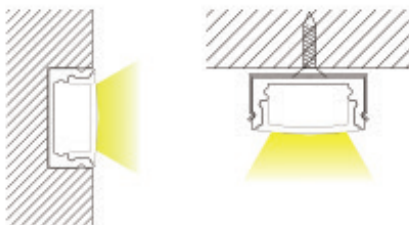
TT-38-3000-O



- Aluminum profile with opal acrylic.
- Designed to cover and dissipate heat the LED strips.
- Available in lengths 3000 mm (118<sup>1</sup>/<sub>8</sub>").



Size	17mm x 8mm x 3000mm 1 <sup>1</sup> / <sub>16</sub> " x 5 <sup>5</sup> / <sub>16</sub> " x 118 <sup>1</sup> / <sub>8</sub> "
Length	3000 mm 118 <sup>1</sup> / <sub>8</sub> "
Internal width	12mm 1 <sup>1</sup> / <sub>2</sub> "
Cover	Matte Opal PMMA Clear PMMA Black PMMA PC diffuser



## Accessories



TT-38-CLIP



TT-38-END

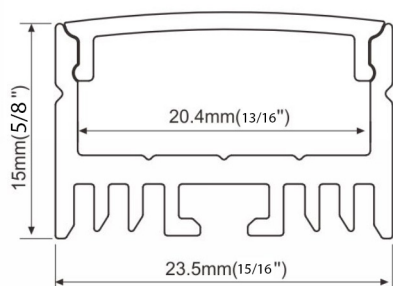
# TITANIUM

TECHNOLOGY

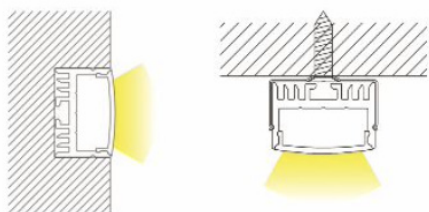
TT-40-2000-O



- Aluminum profile with opal acrylic.
- Designed to cover and dissipate heat the LED strips.
- Available in lengths 2000 mm (78<sup>3</sup>/<sub>4</sub>").



Size	23,5mm x 15mm x 2000mm $15/16'' \times 5/8'' \times 78^{3/4}''$
Lenght	2000mm $78^{3/4}''$
Internal width	20,4mm $13/16''$
Cover	PC diffused



### Accessories



TT-40-CLIP



TT-40-END



TT-40-SUSP

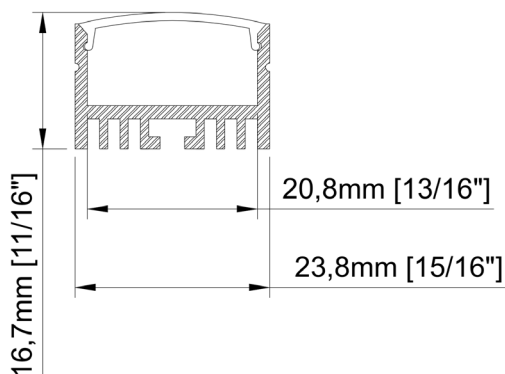
# TITANIUM

TECHNOLOGY

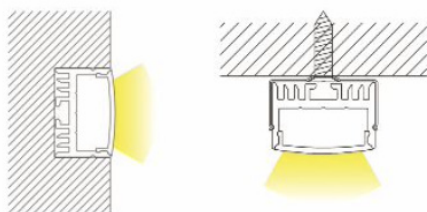
TT-40-3000-O-BK



- Aluminum profile with opal acrylic.
- Designed to cover and dissipate heat the LED strips.
- Available in lengths 3000 mm (118<sup>1</sup>/<sub>8</sub>").



Size	23,8mm x 16,7mm x 3000mm 1 <sup>5</sup> / <sub>16</sub> " x 1 <sup>1</sup> / <sub>16</sub> " x 118 <sup>1</sup> / <sub>8</sub> "
Length	3000mm 118 <sup>1</sup> / <sub>8</sub> "
Internal width	20,8mm 1 <sup>3</sup> / <sub>16</sub> "
Cover	PC diffused



## Accessories



TT-40-CLIP



TT-40-END-BK



TT-40-SUSP

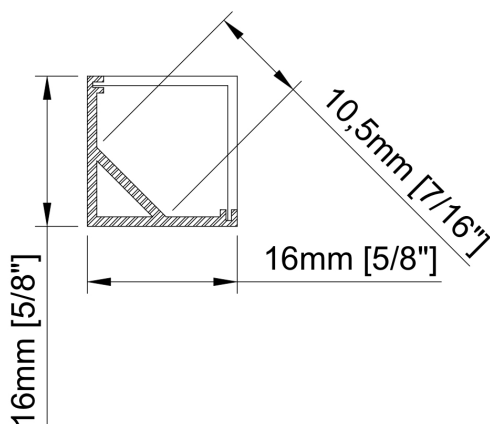
# TITANIUM

TECHNOLOGY

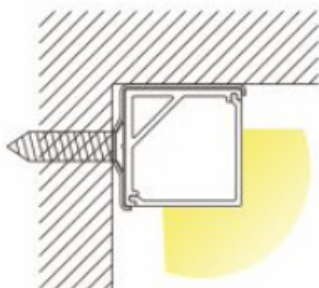
TT-52-3000-O



- Aluminum profile with opal acrylic.
- Designed to cover and dissipate heat the LED strips.
- Available in lengths 3000 mm (118<sup>1</sup>/<sub>8</sub>").



Size	16mm x 16mm x 3000mm 5/8" x 5/8" x 118 <sup>1</sup> / <sub>8</sub> "
Lenght	3000mm 118 <sup>1</sup> / <sub>8</sub> "
Internal width	10,5mm 7/16"
Cover	Matte opal PMMA



## Accessories



TT-52-CLIP



TT-52-END

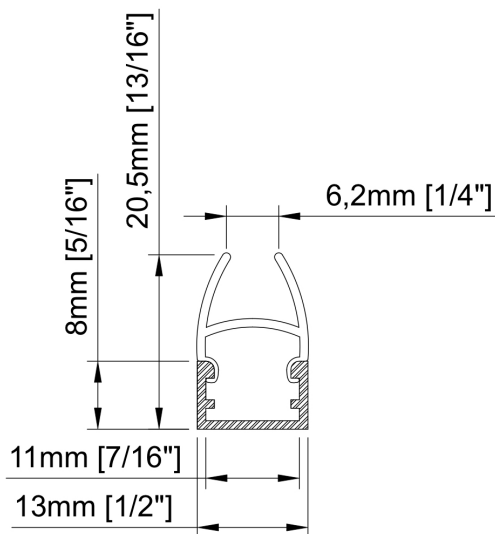
# TITANIUM

TECHNOLOGY

TT-64-3000-O



- Aluminum profile with smoked acrylic.
- Designed to cover and dissipate heat the LED strips.
- Available in lengths 3000 mm (118<sup>1</sup>/<sub>8</sub>").



Size	13mm x 20,5mm x 3000mm $1/2" \times 13/16" \times 118\frac{1}{8}"$
Lenght	3000mm $118\frac{1}{8}"$
Internal width	11mm $7/16"$
Finish	BK - Black (n/a) Grey
Cover	PC diffused

\*Glass not include.

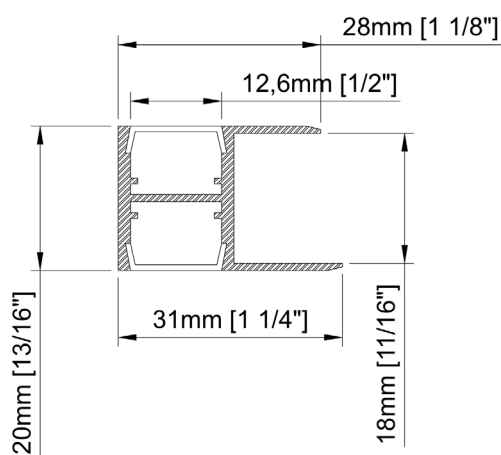
# TITANIUM

TECHNOLOGY

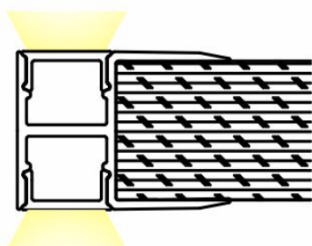
TT-65-3000-O



- Aluminum profile with opal acrylic.
- Designed to cover and dissipate heat the LED strips.
- Available in lengths 3000 mm (118<sup>1</sup>/<sub>8</sub>").



Size	31mm x 20mm x 3000mm 1 <sup>1</sup> / <sub>4</sub> " x 1 <sup>3</sup> / <sub>16</sub> " x 118 <sup>1</sup> / <sub>8</sub> "
Lenght	3000mm 118 <sup>1</sup> / <sub>8</sub> "
Internal width	2 x 12,6mm 2 x 1/2"
Finish	BK - Black (n/a) Grey
Cover	PC diffused





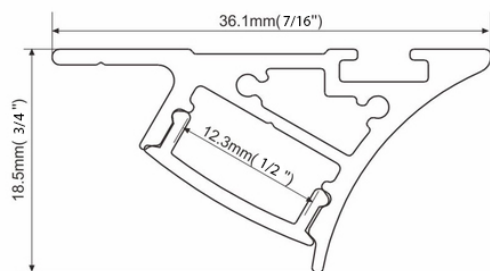
# TITANIUM

TECHNOLOGY

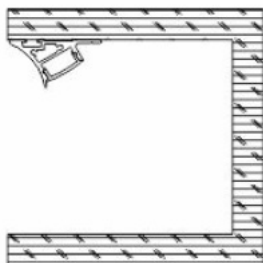
TT-66-2000-O



- Aluminum profile with opal acrylic.
- Designed to cover and dissipate heat the LED strips.
- Available in lengths 2000 mm (78<sup>3</sup>/<sub>4</sub>").



Size	31,6mm x 18,5mm x 2000mm 7/16" x 3/4" x 78 <sup>3</sup> / <sub>4</sub> "
Length	2000mm 78 <sup>3</sup> / <sub>4</sub> "
Internal width	12,3mm 1/2"
Cover	PC diffused



## Accessories



TT-66-END

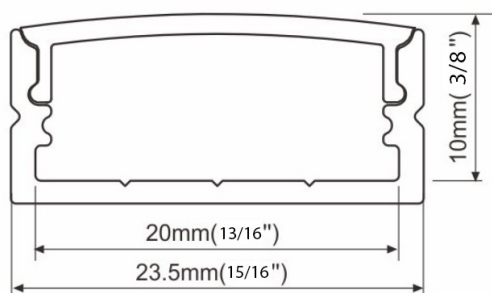
# TITANIUM

TECHNOLOGY

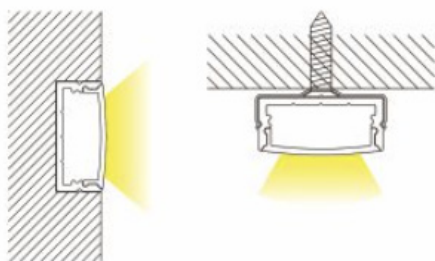
TT-68-3000-O



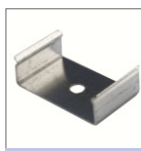
- Aluminum profile with white acrylic.
- Designed to cover and dissipate heat the LED strips.
- Available in lengths 3000 mm (118<sup>1</sup>/<sub>8</sub>").



Size	23,5mm x 10mm x 3000mm 1 <sup>5</sup> / <sub>16</sub> " x 3/ <sub>8</sub> " x 118 <sup>1</sup> / <sub>8</sub> "
Lenght	3000mm 118 <sup>1</sup> / <sub>8</sub> "
Internal width	20mm 1 <sup>3</sup> / <sub>16</sub> "
Cover	Matte opal PMMA



## Accessories



TT-68-CLIP



TT-68-END



# RECESSED



Credit photo: Christian Marcoux



Power (W/m)	Luminous flux (lm/feet)	CRI	CCT (Kelvin)	Length (inch)
5,9 ~ 34	38 ~ 600	90	2700 ~ 6000	1 ~ 118

**TT-02-3000** Page 31



Power (W/m)	Luminous flux (lm/feet)	CRI	CCT (Kelvin)	Length (inch)
5,9 ~ 34	38 ~ 600	90	2700 ~ 6000	1 ~ 118

**TT-03-3000** Page 32



Power (W/m)	Luminous flux (lm/feet)	CRI	CCT (Kelvin)	Length (inch)
5,9 ~ 34	38 ~ 600	90	2700 ~ 6000	1 ~ 118

**TT-14-3000** Page 33



Power (W/m)	Luminous flux (lm/feet)	CRI	CCT (Kelvin)	Length (inch)
5,9 ~ 34	38 ~ 600	90	2700 ~ 6000	1 ~ 118

**TT-17-2500** Page 34



Power (W/m)	Luminous flux (lm/feet)	CRI	CCT (Kelvin)	Length (inch)
5,9 ~ 34	38 ~ 600	90	2700 ~ 6000	1 ~ 118

**TT-18-2500** Page 35



Power (W/m)	Luminous flux (lm/feet)	CRI	CCT (Kelvin)	Length (inch)
5,9 ~ 34	38 ~ 600	90	2700 ~ 6000	1 ~ 118

**TT-19-2000** Page 36



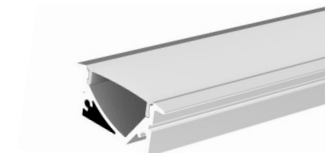
Power (W/m)	Luminous flux (lm/feet)	CRI	CCT (Kelvin)	Length (inch)
5,9 ~ 34	38 ~ 600	90	2700 ~ 6000	1 ~ 118

**TT-39-2000** Page 37



Power (W/m)	Luminous flux (lm/feet)	CRI	CCT (Kelvin)	Length (inch)
5,9 ~ 34	38 ~ 600	90	2700 ~ 6000	1 ~ 118

**TT-49-2000** Page 38



Power (W/m)	Luminous flux (lm/feet)	CRI	CCT (Kelvin)	Length (inch)
5,9 ~ 34	38 ~ 600	90	2700 ~ 6000	1 ~ 118

**TT-50-3000** Page 39





Power (W/m)	Luminous flux (lm/feet)	CRI	CCT (Kelvin)	Length (inch)
5.9 ~ 34	38 ~ 600	90	2700 ~ 6000	1 ~ 118

### PRODUCT BUILDER CODE

TT	PROFILE	LENGTH (inch)	LUMEN PACKAGE	COLOUR CCT	IP	VOLTAGE	LEAD IN (inch)	LEAD OUT (inch)	END CAP	CLIP	PSU
TT											
			<b>28/6</b> 221 lm/feet 5W/feet  <b>28/6 H</b> 527 lm/feet 6.25W/feet *24v only  <b>28/12</b> 456 lm/feet 9W/feet *24v only  <b>35/3</b> 45 lm/feet 1.5W/feet  <b>35/6</b> 120 lm/feet 3W/feet  <b>22/15</b> 425 lm/feet 9W/feet *24v only  <b>50/3</b> 4.5W/feet  <b>DX/24</b> DIGITAL DMX *24V only	<b>27</b> 2700K  <b>30</b> 3000K  <b>35</b> 3500K  <b>40</b> 4000K  <b>60</b> 6000K  <b>RE</b> RED  <b>GR</b> GREEN  <b>BL</b> BLUE  <b>AM</b> AMBER  <b>PK</b> PINK *28/6 only  <b>CB</b> CYAN *28/6 only  <b>OR</b> ORANGE *28/6 only  <b>UV</b> *28/6 only  <b>RGB</b> *50/3, 28/6 or 35/6 only  <b>RGBWW</b> *50/3 only  <b>RGBNW</b> *50/3 only  <b>RGBCW</b> *50/3 only  <b>RGBCCT</b> *50/3 only	<b>20</b>   <b>65</b>   <b>12</b>   <b>24</b>   <b>Hxxxx</b> 12 inchs minimum  <b>DCxxxx</b> 12 inchs minimum  <b>empty</b> No lead out  <b>Hxxxx</b> 12 inchs minimum  <b>DCxxxx</b> 12 inchs minimum	<b>NE</b> No end cap  <b>EC</b> With end cap	<b>NC</b> No Clip  <b>xC</b> x=OTE	<b>n/a</b> No psu  <b>P</b> Plug-in  <b>CV</b> Dimmable  <b>CV-BOX</b> Dimmable with box  <b>CV67</b> IP67 psu  <b>120V</b> No dimmable 120v psu  <b>347V</b> No dimmable 347V PSU  <b>010</b> 0-10v PSU			

For a custom color, add at the end of the manufacturer code number COLOR RAL K7. Contact your dealer about the additional cost to a special color.

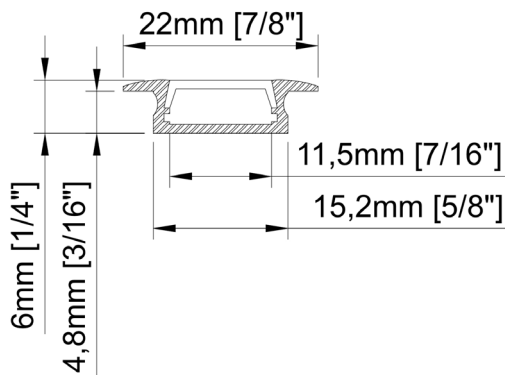
# TITANIUM

TECHNOLOGY

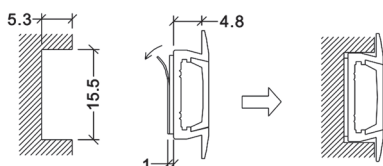
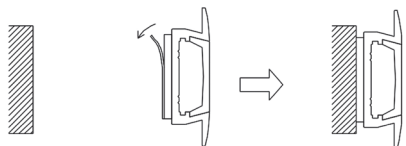
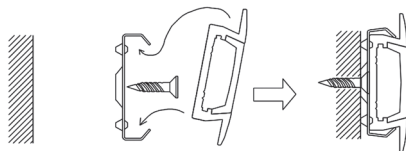
TT-02-3000-O



- Aluminum profile with opal acrylic.
- Designed to cover and dissipate heat the LED strips.
- Available in lengths 3000 mm (118 ").



Size	15,2mm x 4,8mm x 3000mm $\frac{5}{8}'' \times \frac{3}{16}'' \times 118 \frac{1}{8}''$
Length	3000mm $118 \frac{1}{8}''$
Internal width	11,5mm $\frac{7}{16}''$
Cover	Opal



## Accessories



TT-02-CLIP



TT-02-END

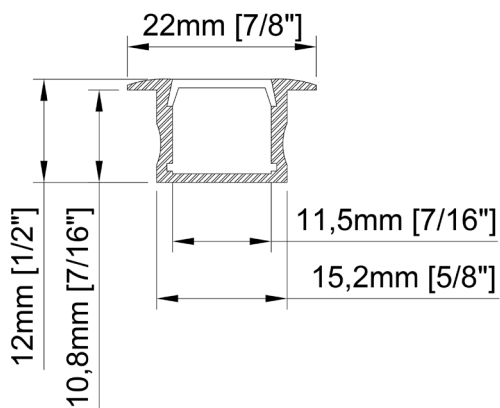
# TITANIUM

TECHNOLOGY

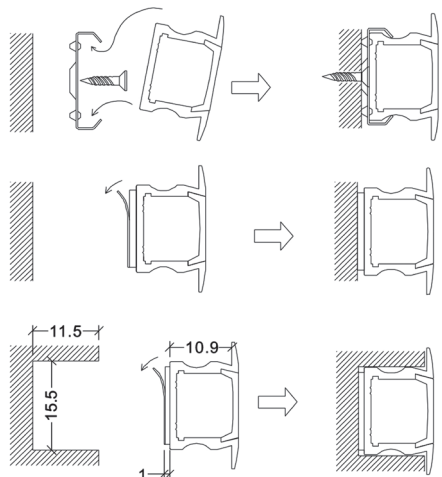
TT-03-3000-O



- Aluminum profile with opal acrylic.
- Designed to cover and dissipate heat the LED strips.
- Available in lengths 3000 mm (118 ").



Size	15,2mm x 10,8mm x 3000mm 5/8" x 7/16" x 118 1/8"
Length	3000mm 118 1/8"
Internal width	11,5mm 7/16"
Cover	Opal



## Accessories



TT-03-CLIP



TT-03-CLIP



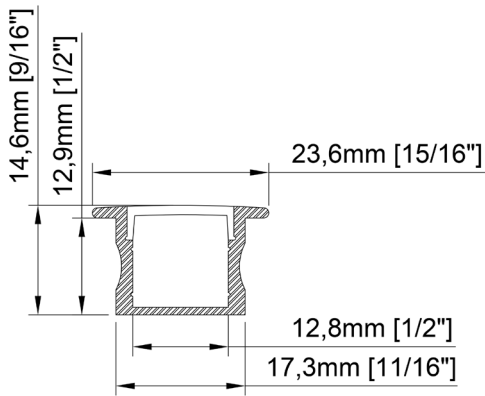
# TITANIUM

TECHNOLOGY

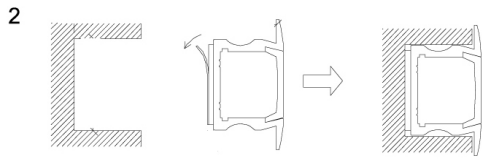
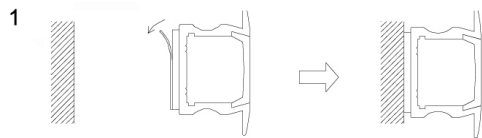
TT-14-3000-O



- Aluminum profile with opal acrylic.
- Designed to cover and dissipate heat the LED strips.
- Available in lengths 3000 mm (118<sup>1</sup>/<sub>4</sub> ").



Size	17,3mm x 12,9mm x 3000mm 11/16" x 1/2" x 118 <sup>1</sup> / <sub>8</sub> "
Lenght	3000mm 118 <sup>1</sup> / <sub>8</sub> "
Internal width	12,8mm 1/2"
Cover	Matte Opal PMMA Clear PMMA Black PMMA PC diffuser



Accessories



TT-14-CLIP

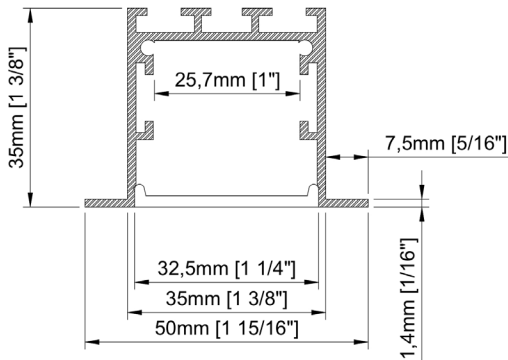


TT-14-END

TT-17-2500-O



- Aluminum profile with white acrylic.
- Designed to cover and dissipate heat the LED strips.
- Available in lengths 2500 mm (98<sup>3</sup>/<sub>8</sub> ").



Size	35mm x 35mm x 2500mm 1 <sup>3</sup> / <sub>8</sub> " x 1 <sup>3</sup> / <sub>8</sub> " x 98 <sup>3</sup> / <sub>8</sub> "
Length	2500mm 98 <sup>3</sup> / <sub>8</sub> "
Internal width	25,7mm 1"
Cover	PC diffused

### Accessories



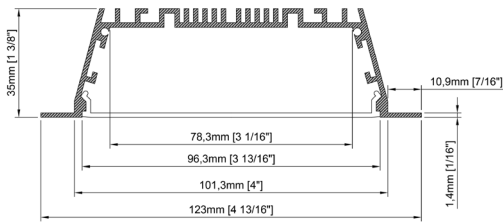
# TITANIUM

TECHNOLOGY

TT-18-2500-O



- Aluminum profile with opal acrylic.
- Designed to cover and dissipate heat the LED strips.
- Available in lengths 2500 mm (98<sup>3</sup>/<sub>8</sub> ").

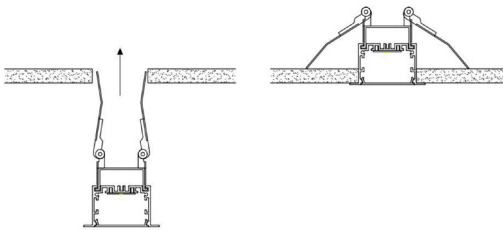


Size 123mm x 35mm x 2500mm  
4<sup>7</sup>/<sub>8</sub>" x 1<sup>1</sup>/<sub>2</sub>" x 98<sup>3</sup>/<sub>8</sub>"

Lenght 2500mm  
98<sup>3</sup>/<sub>8</sub>"

Internal width 77,5mm  
3"

Cover PC diffuse



## Accessories



TT-18-SNAP



TT-18-L



TT-18-T



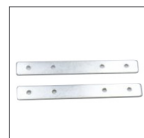
TT-18-X



TT-18-I



TT-18-END



TT-18-EXT



TT-18-EXT-90



TT-18-EXT-90IL



TT-18-EXT-60



TT-18-EXT-120

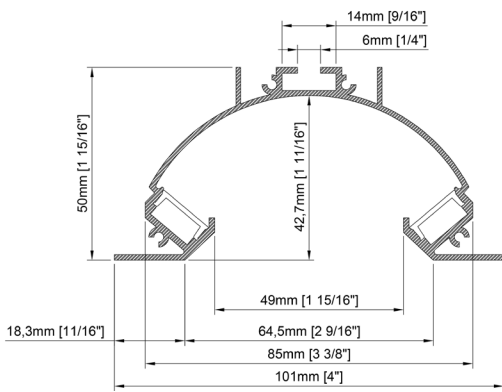
# TITANIUM

## TECHNOLOGY

TT-19-2000-O



- Aluminum profile with opal acrylic.
- Designed to cover and dissipate heat the LED strips.
- Available in lengths 2000 mm (78<sup>3</sup>/<sub>4</sub> ").

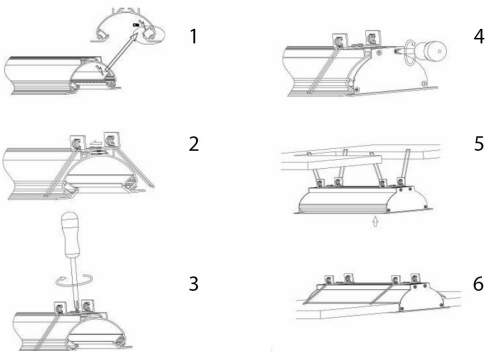


Size 101mm x 50mm x 2000mm  
4" x 2" x 78<sup>3</sup>/<sub>4</sub>"

Length 2000mm  
78<sup>3</sup>/<sub>4</sub>"

Internal width 2 x 12mm  
2 x 1/2"

Cover Semi clear PMMA



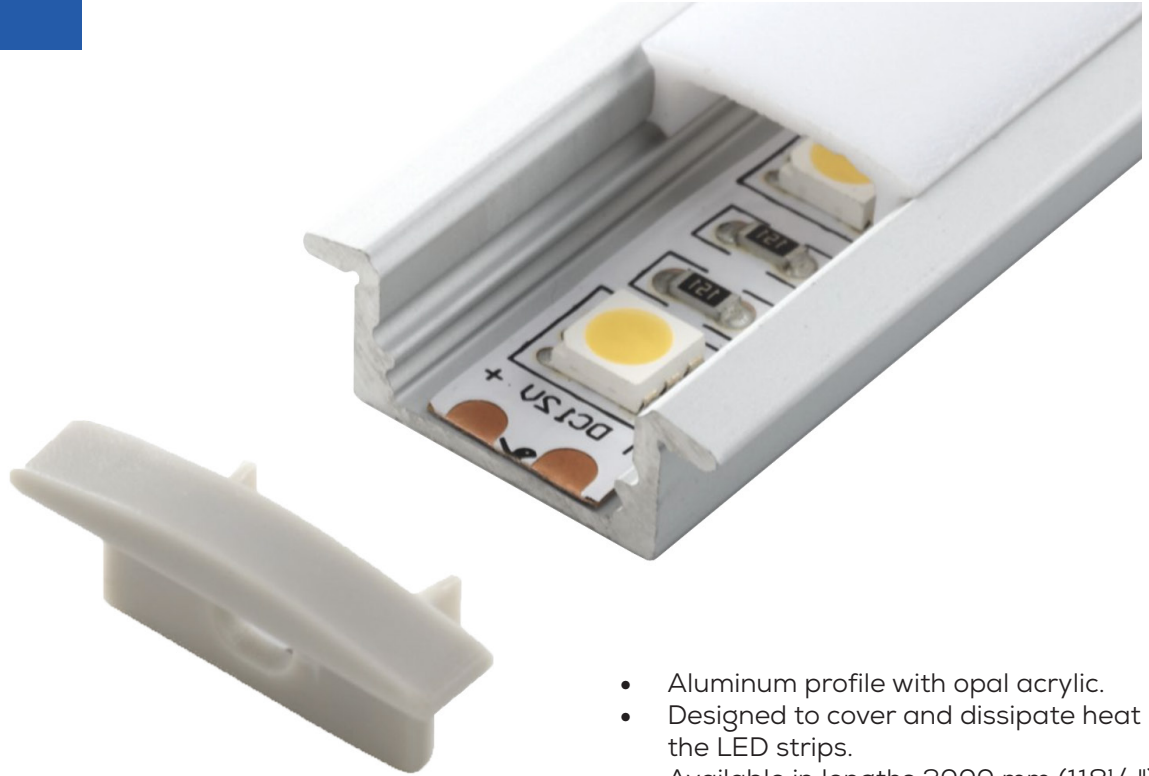
### Accessories



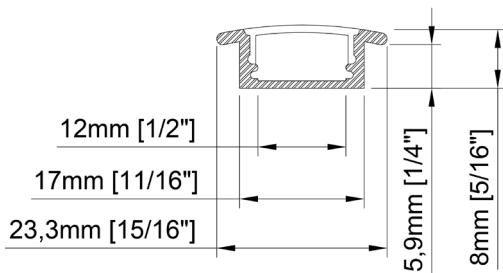
# TITANIUM

TECHNOLOGY

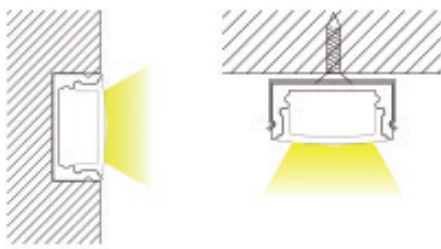
TT-39-3000-O



- Aluminum profile with opal acrylic.
- Designed to cover and dissipate heat the LED strips.
- Available in lengths 3000 mm (118<sup>1</sup>/<sub>8</sub>").



Size	23,3mm x 5,9mm x 3000mm 1 <sup>5</sup> / <sub>16</sub> " x 1/4" x 118 <sup>1</sup> / <sub>8</sub> "
Length	3000mm 118 <sup>1</sup> / <sub>8</sub> "
Internal width	12mm 1/2"
Cover	Matte Opal PMMA Clear PMMA Black PMMA PC diffuser



## Accessories



TT-39-CLIP

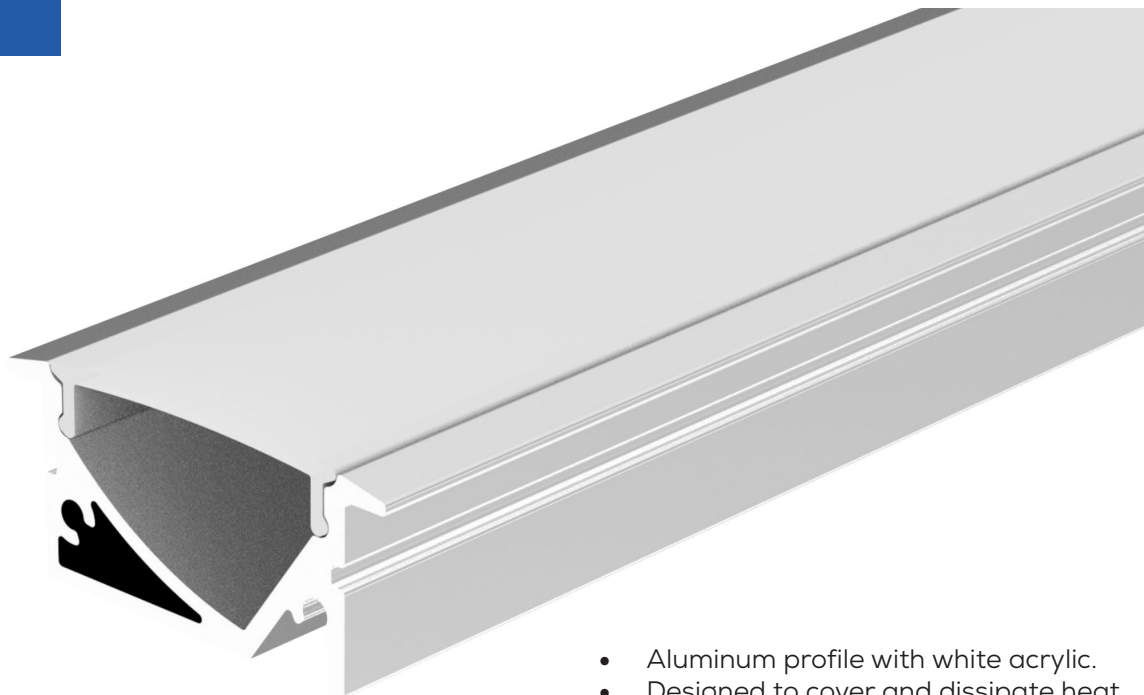


TT-39-END

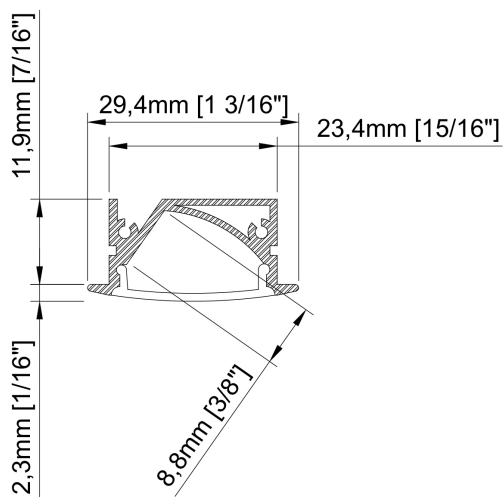
# TITANIUM

TECHNOLOGY

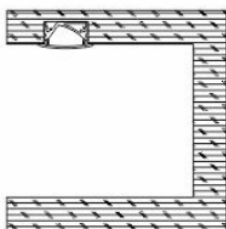
TT-49-2000-O



- Aluminum profile with white acrylic.
- Designed to cover and dissipate heat the LED strips.
- Available in lengths 2000 mm (78<sup>3</sup>/<sub>4</sub> ").



Size	29,4 x 14,2 x 2000 mm 1 <sup>3</sup> / <sub>16</sub> " x 9/ <sub>16</sub> " x 78 <sup>3</sup> / <sub>4</sub> "
Length	2000 mm 78 <sup>3</sup> / <sub>4</sub> "
Internal width	8,8 mm 3/ <sub>8</sub> "
Cover	PC diffused



## Accessories



TT-49-SNAP



TT-49-END

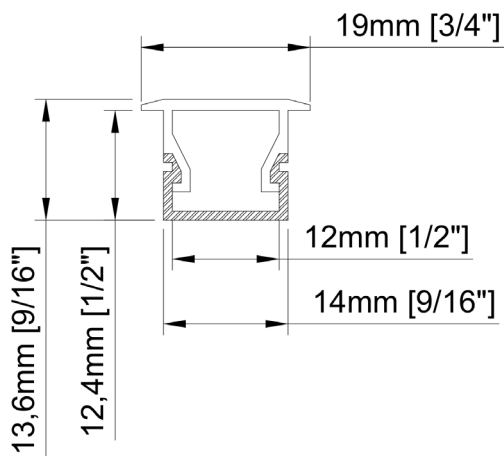
# TITANIUM

TECHNOLOGY

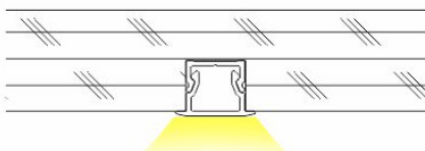
TT-50-2000-O



- Aluminum profile with opal acrylic.
- Designed to cover and dissipate heat the LED strips.
- Available in lengths 2000 mm (78<sup>3</sup>/<sub>4</sub>").



Size	19mm x 13,6mm x 2000mm 3/4" x 9/16" x 78 <sup>3</sup> / <sub>4</sub> "
Length	2000mm 78 <sup>3</sup> / <sub>4</sub> "
Internal width	12mm 1/2"
Cover	PC diffused



## Accessories



TT-50-CLIP



TT-50-END

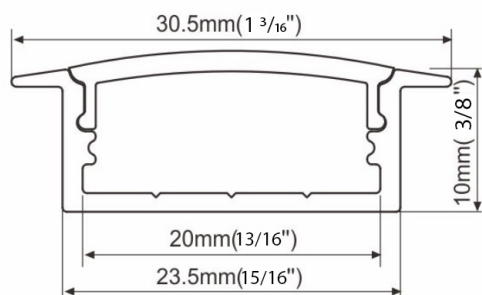
# TITANIUM

TECHNOLOGY

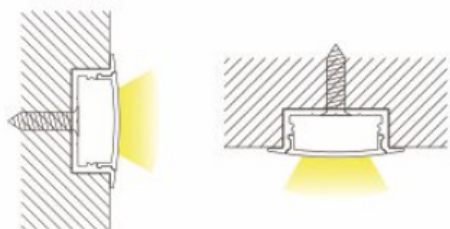
TT-69-3000-O



- Aluminum profile with opal acrylic.
- Designed to cover and dissipate heat the LED strips.
- Available in lengths 3000 mm (118<sup>1</sup>/<sub>8</sub>").



Size	30,5mm x 10mm x 3000mm 1 <sup>3</sup> / <sub>16</sub> " x 3/8" x 118 <sup>1</sup> / <sub>8</sub> "
Lenght	3000mm 118 <sup>1</sup> / <sub>8</sub> "
Internal width	20mm 1 <sup>3</sup> / <sub>16</sub> "
Cover	Matte Opal PMMA



## Accessories



TT-69-END





# PENDANT



Credit photo: Volkswagen St-Nicolas

# TITANIUM

## TECHNOLOGY



Power (W/m)	Luminous flux (lm/foot)	CRI	CCT (Kelvin)	Length (inch)
5,9 ~ 34	38 ~ 600	90	2700 ~ 6000	1 ~ 118

**TT-13-3000** Page 46



Power (W/m)	Luminous flux (lm/foot)	CRI	CCT (Kelvin)	Length (inch)
5,9 ~ 34	38 ~ 600	90	2700 ~ 6000	1 ~ 118

**TT-15-3000** Page 47



Power (W/m)	Luminous flux (lm/foot)	CRI	CCT (Kelvin)	Length (inch)
5,9 ~ 34	38 ~ 600	90	2700 ~ 6000	1 ~ 118

**TT-15-3000-BK** Page 48



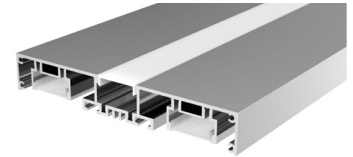
Power (W/m)	Luminous flux (lm/foot)	CRI	CCT (Kelvin)	Length (inch)
5,9 ~ 34	38 ~ 600	90	2700 ~ 6000	1 ~ 118

**TT-20-2000** Page 49



Power (W/m)	Luminous flux (lm/foot)	CRI	CCT (Kelvin)	Length (inch)
5,9 ~ 34	38 ~ 600	90	2700 ~ 6000	1 ~ 118

**TT-31-2500** Page 50



Power (W/m)	Luminous flux (lm/foot)	CRI	CCT (Kelvin)	Length (inch)
5,9 ~ 34	38 ~ 600	90	2700 ~ 6000	1 ~ 118

**TT-37-2500** Page 51



Power (W/m)	Luminous flux (lm/foot)	CRI	CCT (Kelvin)	Length (inch)
5,9 ~ 34	38 ~ 600	90	2700 ~ 6000	1 ~ 118

**TT-46-2500** Page 52



Power (W/m)	Luminous flux (lm/foot)	CRI	CCT (Kelvin)	Length (inch)
5,9 ~ 34	38 ~ 600	90	2700 ~ 6000	1 ~ 118

**TT-47-2500** Page 53



Power (W/m)	Luminous flux (lm/foot)	CRI	CCT (Kelvin)	Length (inch)
5,9 ~ 34	38 ~ 600	90	2700 ~ 6000	1 ~ 118

**TT-48-2500** Page 54



Power (W/m)	Luminous flux (lm/foot)	CRI	CCT (Kelvin)	Length (inch)
5,9 ~ 34	38 ~ 600	90	2700 ~ 6000	1 ~ 118

**TT-48-2500-BK** Page 55





Power (W/m)	Luminous flux (lm/feet)	CRI	CCT (Kelvin)	Length (inch)
5.9 ~ 34	38 ~ 600	90	2700 ~ 6000	1 ~ 118

**TT-53-2000** Page 56



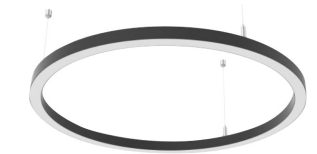
Power (W/m)	Luminous flux (lm/feet)	CRI	CCT (Kelvin)	Length (inch)
5.9 ~ 34	38 ~ 600	90	2700 ~ 6000	1 ~ 118

**TT-54-2000-BK** Page 57



Power (W/m)	Luminous flux (lm/feet)	CRI	CCT (Kelvin)	Length (inch)
-	-	90	2700 ~ 6000	Ø 23 5/8

**TT-R25-600** Page 58



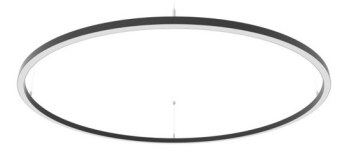
Power (W/m)	Luminous flux (lm/feet)	CRI	CCT (Kelvin)	Length (inch)
-	-	90	2700 ~ 6000	Ø 35 7/16

**TT-R25-900** Page 59



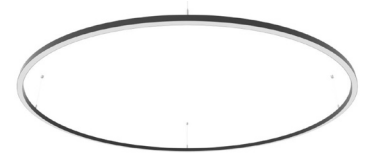
Power (W/m)	Luminous flux (lm/feet)	CRI	CCT (Kelvin)	Length (inch)
-	-	90	2700 ~ 6000	Ø 50

**TT-R25-1270** Page 60



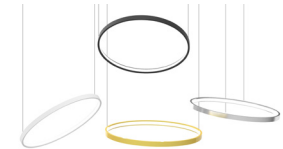
Power (W/m)	Luminous flux (lm/feet)	CRI	CCT (Kelvin)	Length (inch)
-	-	90	2700 ~ 6000	Ø 70 7/8

**TT-R25-1800** Page 61



Power (W/m)	Luminous flux (lm/feet)	CRI	CCT (Kelvin)	Length (inch)
-	-	90	2700 ~ 6000	Ø 23 5/8

**TT-R30-600** Page 62



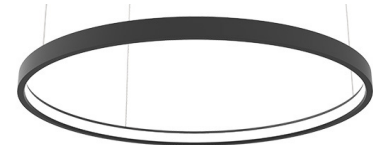
Power (W/m)	Luminous flux (lm/feet)	CRI	CCT (Kelvin)	Length (inch)
-	-	90	2700 ~ 6000	Ø 35 7/16

**TT-R30-900** Page 63



Power (W/m)	Luminous flux (lm/feet)	CRI	CCT (Kelvin)	Length (inch)
-	-	90	2700 ~ 6000	Ø 47 1/4

**TT-R30-1200** Page 64



Power (W/m)	Luminous flux (lm/feet)	CRI	CCT (Kelvin)	Length (inch)
-	-	90	2700 ~ 6000	Ø 35 7/16

**TT-R50-900** Page 65



# TITANIUM TECHNOLOGY



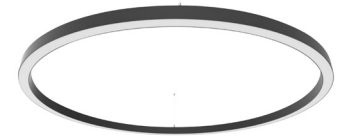
## TT-R50-1270 Page 66

Power (W/m)	Luminous flux (lm/feet)	CRI	CCT (Kelvin)	Length (inch)
-	-	90	2700 ~ 6000	Ø 50



## TT-R50-1800 Page 67

Power (W/m)	Luminous flux (lm/feet)	CRI	CCT (Kelvin)	Length (inch)
-	-	90	2700 ~ 6000	Ø 70 7/8



## TT-CANOPY-02 Page 68

Power (W/m)	Luminous flux (lm/feet)	CRI	CCT (Kelvin)	Length (inch)
-	-	-	-	Ø 11



## TT-CANOPY-01 Page 69

Power (W/m)	Luminous flux (lm/feet)	CRI	CCT (Kelvin)	Length (inch)
-	-	-	-	Ø 13



## PRODUCT BUILDER CODE

TT	PROFILE	LENGTH (inch)	LUMEN PACKAGE	COLOUR CCT	IP	VOLTAGE	LEAD IN (inch)	LEAD OUT (inch)	END CAP	CLIP	PSU
TT	-	-	-	-	-	-	-	-	-	-	-

**28/6**  
221 lm/feet  
5W/feet

**28/6 H**  
527 lm/feet  
6,25W/feet  
\*24v only

**28/12**  
456 lm/feet  
9W/feet  
\*24v only

**35/3**  
45 lm/feet  
1,5W/feet

**35/6**  
120 lm/feet  
3W/feet

**22/15**  
425 lm/feet  
9W/feet  
\*24v only

**50/3**  
4,5W/feet

**DX/24**  
DIGITAL DMX  
\*24V only

**27**  
2700K

**30**  
3000K

**35**  
3500K

**40**  
4000K

**60**  
6000K

**RE**  
RED

**GR**  
GREEN

**BL**  
BLUE

**AM**  
AMBER

**PK**  
PINK  
\*28/6 only

**CB**  
CYAN  
\*28/6 only

**OR**  
ORANGE  
\*28/6 only

**UV**  
\*28/6 only

**RGB**  
\*50/3, 28/6 or 35/6 only

**RGBWW**  
\*50/3 only

**RGBNW**  
\*50/3 only

**RGBCW**  
\*50/3 only

**RGBCCT**  
\*50/3 only

**20**

**65**

**12**

**24**

**Hxxxx**  
12 inches minimum

**DCxxxx**  
12 inches minimum

**empty**  
No lead out

**Hxxxx**  
12 inches minimum

**DCxxxx**  
12 inches minimum

**NE**  
No end cap

**EC**  
With end cap

**NC**  
No Clip

**xC**  
x=QTE

**n/a**  
No psu

**P**  
Plug-in

**CV**  
Dimmable

**CV-BOX**  
Dimmable with box

**CV67**  
IP67 psu

**120V**  
No dimmable  
120v psu

**347V**  
No dimmable  
347V PSU

**010**  
0-10v PSU

For a custom color, add at the end of the manufacturer code number COLOR RAL K7. Contact your dealer about the additional cost to a special color.

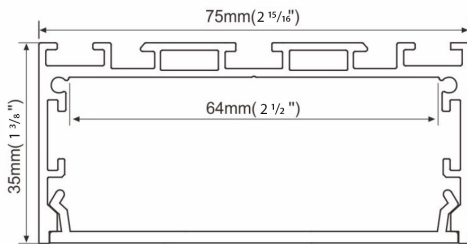
# TITANIUM

TECHNOLOGY

TT-13-3000-O

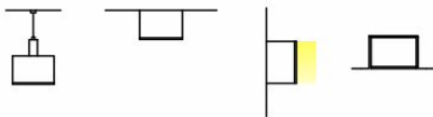


- Aluminum profile with opal acrylic.
- Designed to cover and dissipate heat the LED strips.
- Available in lengths 3000 mm (118<sup>1</sup>/<sub>8</sub> ").



Size	75mm x 35mm x 3000mm 3" x 1 <sup>3</sup> / <sub>8</sub> " x 118 <sup>1</sup> / <sub>8</sub> "
Lenght	3000mm 118 <sup>1</sup> / <sub>8</sub> "
Internal width	64mm 2 <sup>1</sup> / <sub>2</sub> "
Cover	PC diffused

## Accessories



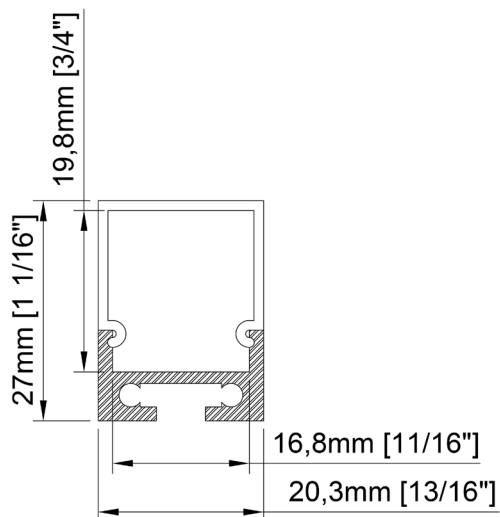
# TITANIUM

TECHNOLOGY

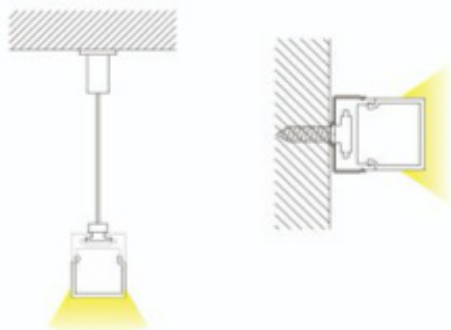
TT-15-3000-O



- Aluminum profile with opal acrylic.
- Designed to cover and dissipate heat the LED strips.
- Available in lengths 3000 mm (118<sup>1</sup>/<sub>4</sub> ").



Size	20,3mm x 27mm x 3000mm $13/16" \times 1 1/16" \times 118 1/8"$
Length	3000mm $118 1/4"$
Internal width	16,8mm $11/16"$
Cover	Matte opal PMMA



## Accessories



TT-15-CLIP



TT-15-SUSP



TT-15-END

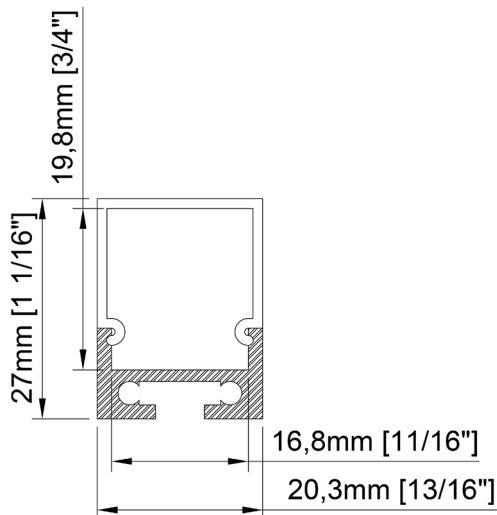
# TITANIUM

TECHNOLOGY

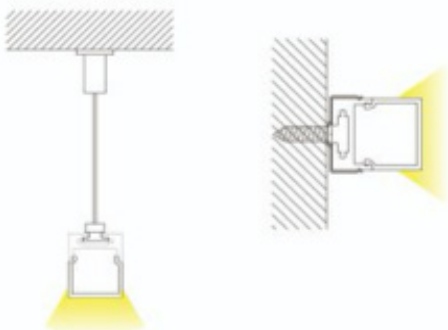
TT-15-3000-O-BK



- Aluminum profile with opal acrylic.
- Designed to cover and dissipate heat the LED strips.
- Available in lengths 3000 mm (118<sup>1</sup>/<sub>4</sub> ").



Size	20,3mm x 27mm x 3000mm $13/16'' \times 1 1/16'' \times 118 1/8''$
Length	3000mm $118 1/4''$
Internal width	16,8mm $11/16''$
Cover	Matte opal PMMA
Finish	Black



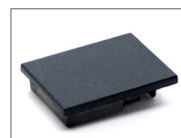
## Accessories



TT-15-CLIP



TT-15-SUSP



TT-15-END-BK



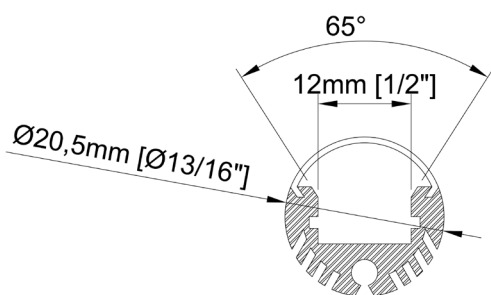
# TITANIUM

TECHNOLOGY

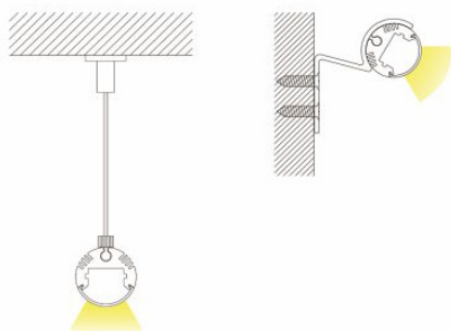
TT-20-2000-O



- Aluminum profile with white acrylic.
- Designed to cover and dissipate heat the LED strips.
- Available in lengths 2000 mm (78<sup>3</sup>/<sub>4</sub> ").



Size	Ø20,5mm x 2000mm Ø <sup>13</sup> / <sub>16</sub> " x 78 <sup>3</sup> / <sub>4</sub> "
Length	2000mm 78 <sup>3</sup> / <sub>4</sub> "
Internal width	12mm 1/2"
Cover	Matte opal PMMA



## Accessories



TT-20-CLIP



TT-20-SUSP

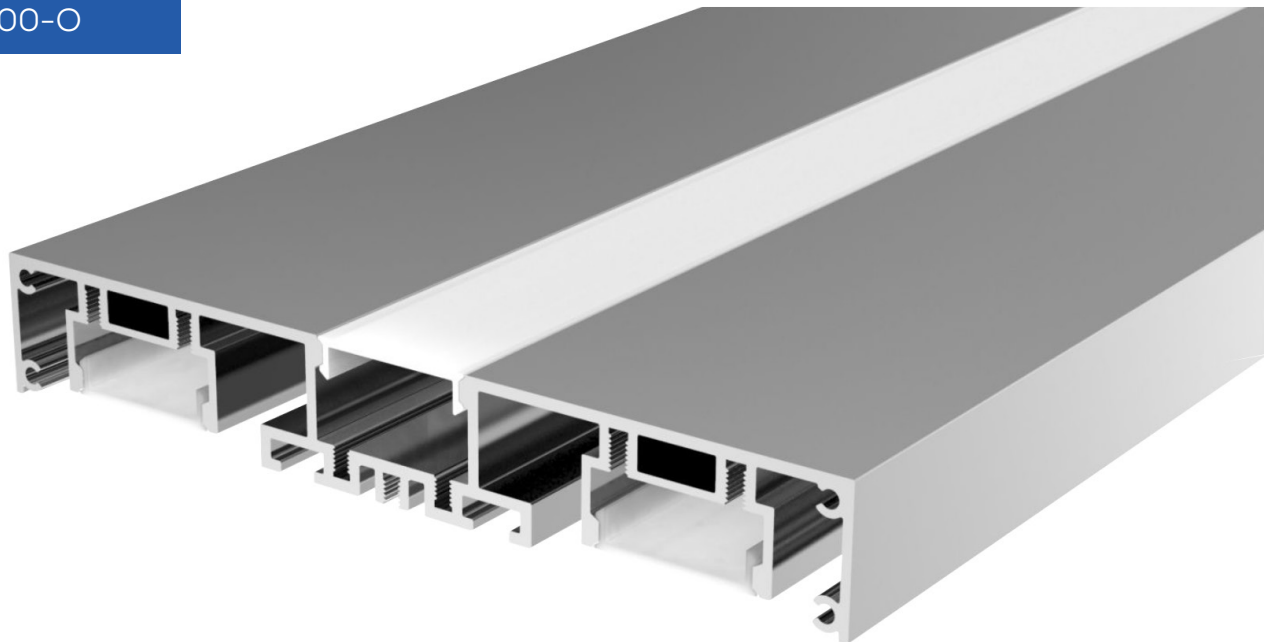


TT-20-END

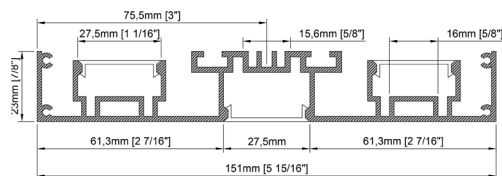
# TITANIUM

TECHNOLOGY

TT-31-2500-O



- Aluminum profile with opal acrylic.
- Designed to cover and dissipate heat the LED strips.
- Available in lengths 2500 mm (98<sup>3</sup>/<sub>8</sub>").



Size 151mm x 23mm x 2500mm  
5<sup>15</sup>/<sub>16</sub>" x 7/<sub>8</sub>" x 98<sup>3</sup>/<sub>8</sub>"

Length 2500mm  
98<sup>3</sup>/<sub>8</sub>"

Internal width 3 x 27mm  
3 x 1<sup>1</sup>/<sub>16</sub>"

Cover PC frosted



## Accessories



TT-31-SUSP

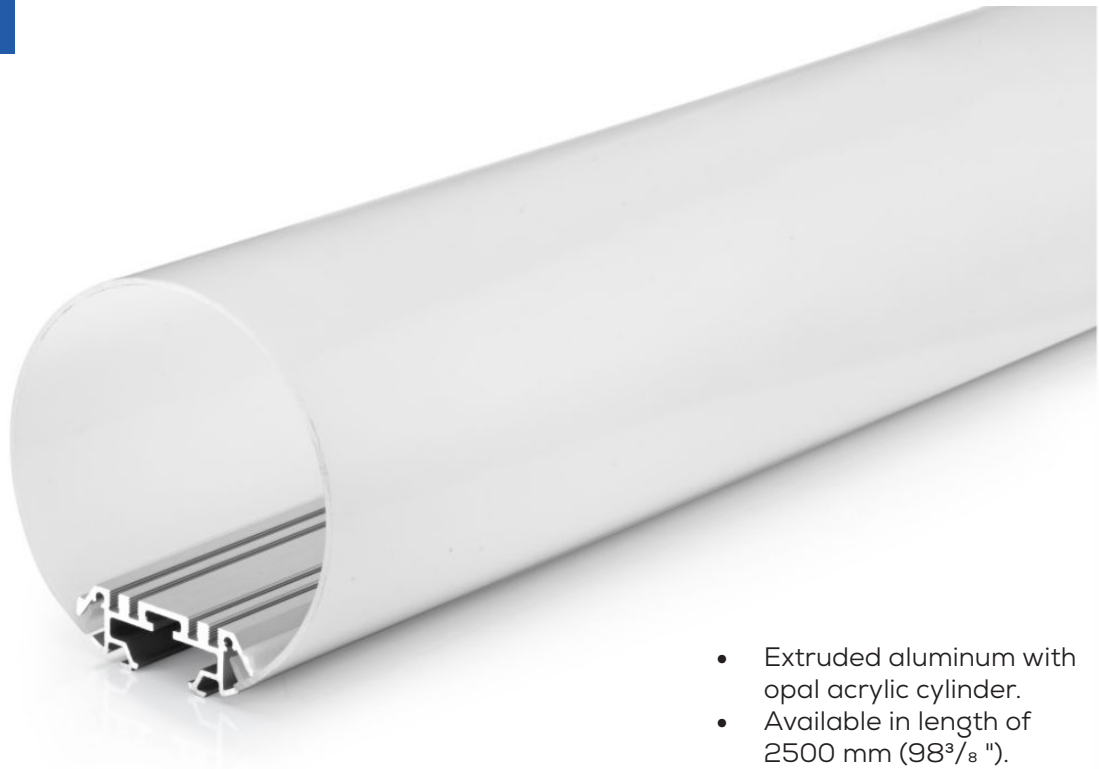


TT-31-END

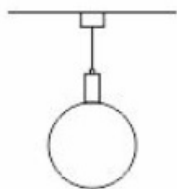
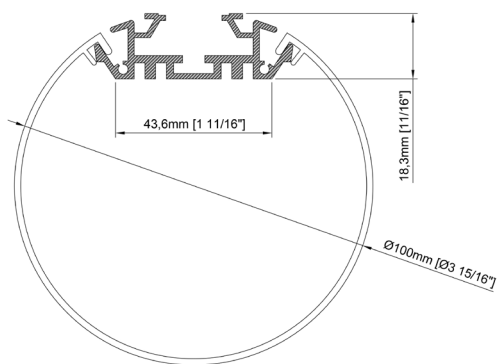
# TITANIUM

TECHNOLOGY

TT-37-2500-O

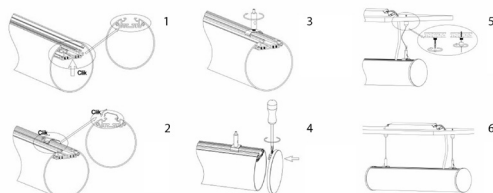


- Extruded aluminum with opal acrylic cylinder.
- Available in length of 2500 mm (98<sup>3</sup>/<sub>8</sub> ").



Size	Ø100 mm x 2500 mm 3 <sup>15</sup> / <sub>16</sub> " x 98 <sup>3</sup> / <sub>8</sub> "
Length	2500mm 98 <sup>3</sup> / <sub>8</sub> "
Internal width	43mm 1 <sup>11</sup> / <sub>16</sub> "
Cover	PC diffused

### Accessories



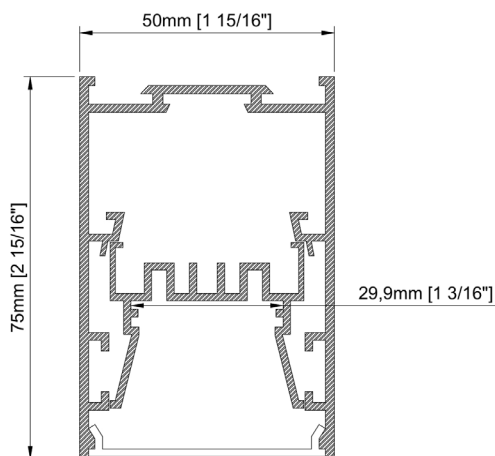
# TITANIUM

TECHNOLOGY

TT-46-2500-O



- Aluminum profile with opal acrylic.
- Designed to cover and dissipate heat the LED strips.
- Available in lengths 2500 mm (98<sup>3</sup>/<sub>8</sub>").

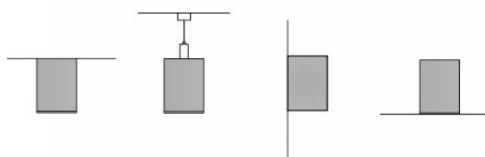


Size	75mm x 50mm x 2500mm 2 <sup>15</sup> / <sub>16</sub> " x 1 <sup>15</sup> / <sub>16</sub> " x 98 <sup>3</sup> / <sub>8</sub> "
------	--

Lenght	2500mm 98 <sup>3</sup> / <sub>8</sub> "
--------	--

Internal width	29,9mm 1 <sup>3</sup> / <sub>16</sub> "
----------------	--

Cover	PC frosted
-------	------------



## Accessories



TT-46-CLIP



TT-46-SUSP



TT-46-SNAP



TT-46-CABLE



TT-46-END

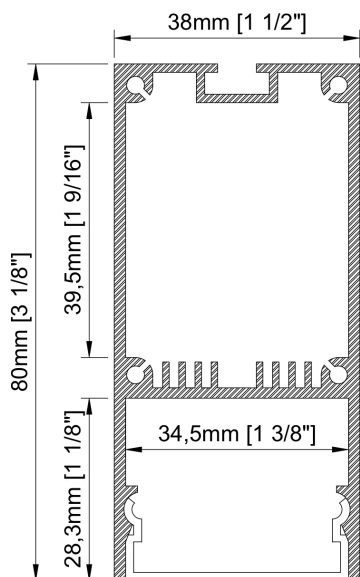
# TITANIUM

TECHNOLOGY

TT-47-2500-O



- Aluminum profile with opal acrylic.
- Designed to cover and dissipate heat the LED strips.
- Available in lengths 2500 mm (98<sup>3</sup>/<sub>8</sub>").



Size	80mm x 38mm x 2500mm 3 <sup>1</sup> / <sub>8</sub> " x 1 <sup>1</sup> / <sub>2</sub> " x 98 <sup>3</sup> / <sub>8</sub> "
Length	2500mm 98 <sup>3</sup> / <sub>8</sub> "
Internal width	34,5mm 1 <sup>3</sup> / <sub>8</sub> "
Cover	PC diffused



## Accessories



TT-47-SUSP



TT-47-END

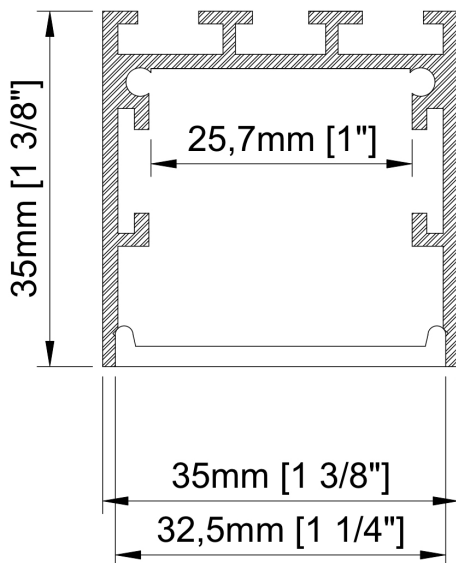
# TITANIUM

TECHNOLOGY

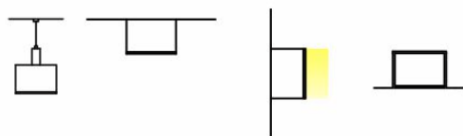
TT-48-2500-O



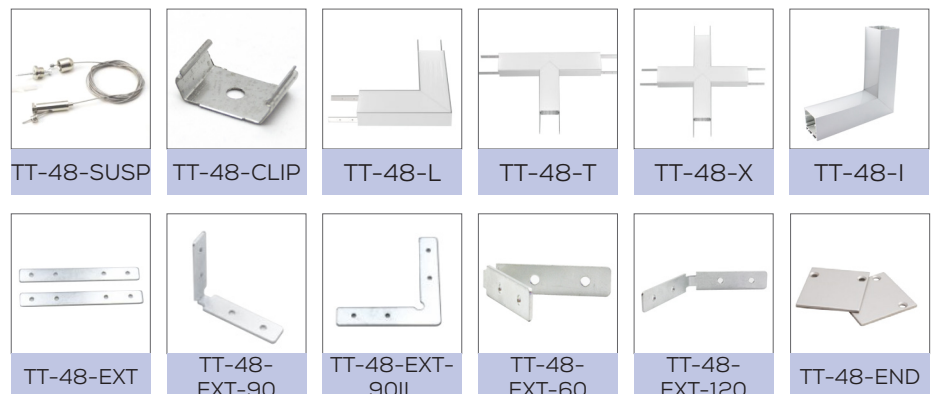
- Aluminum profile with white acrylic.
- Designed to cover and dissipate heat the LED strips.
- Available in lengths 2500 mm (98<sup>3</sup>/<sub>8</sub> ").



Size	35mm x 35mm x 2500mm 1 <sup>3</sup> / <sub>8</sub> " x 1 <sup>3</sup> / <sub>8</sub> " x 98 <sup>3</sup> / <sub>8</sub> "
Length	2500mm 98 <sup>3</sup> / <sub>8</sub> "
Internal width	2,57mm 1"
Cover	PC diffused



## Accessories

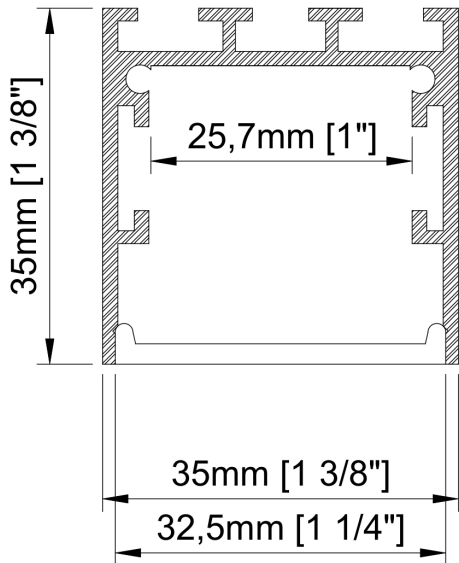


# TITANIUM

## TECHNOLOGY

TT-48-2500-O-BK

- Aluminum profile with white acrylic.
- Designed to cover and dissipate heat the LED strips.
- Available in lengths 2500 mm (98<sup>3</sup>/<sub>8</sub> ").



Size	35mm x 35mm x 2500mm 1 <sup>3</sup> / <sub>8</sub> " x 1 <sup>3</sup> / <sub>8</sub> " x 98 <sup>3</sup> / <sub>8</sub> "
Length	2500mm 98 <sup>3</sup> / <sub>8</sub> "
Internal width	25,7mm 1"
Cover	PC diffused
Finish	BK-Black

### Accessories



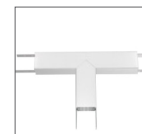
TT-48-SUSP



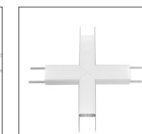
TT-48-CLIP



TT-48-L



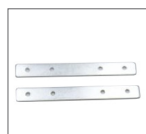
TT-48-T



TT-48-X



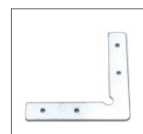
TT-48-I-BK



TT-48-EXT



TT-48-EXT-90



TT-48-EXT-90IL



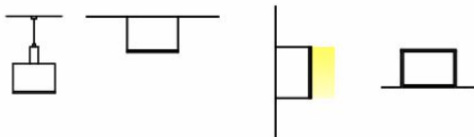
TT-48-EXT-60



TT-48-EXT-120



TT-48-END-BK



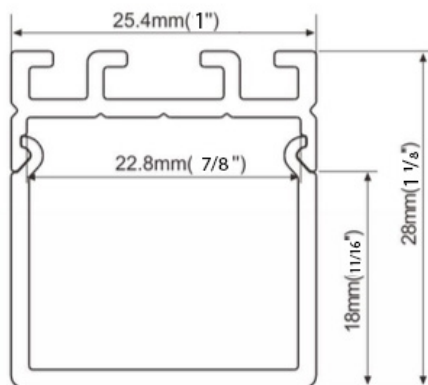
# TITANIUM

TECHNOLOGY

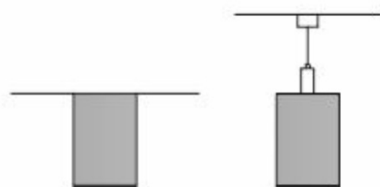
TT-53-2000-O



- Aluminum profile with white acrylic.
- Designed to cover and dissipate heat the LED strips.
- Available in lengths 2000 mm (78<sup>3</sup>/<sub>4</sub> ").



Size	25,4mm x 28mm x 2000mm 1" x 1 <sup>1</sup> / <sub>8</sub> " x 78 <sup>3</sup> / <sub>4</sub> "
Lenght	2000mm 78 <sup>3</sup> / <sub>4</sub> "
Internal width	22,8mm 7/8"
Cover	PC diffused



## Accessories



TT-53-CLIP



TT-53-SUSP



TT-53-END

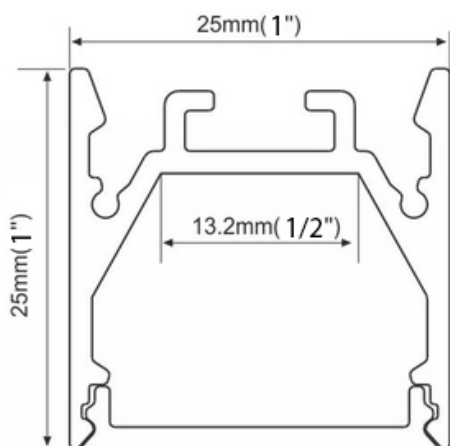
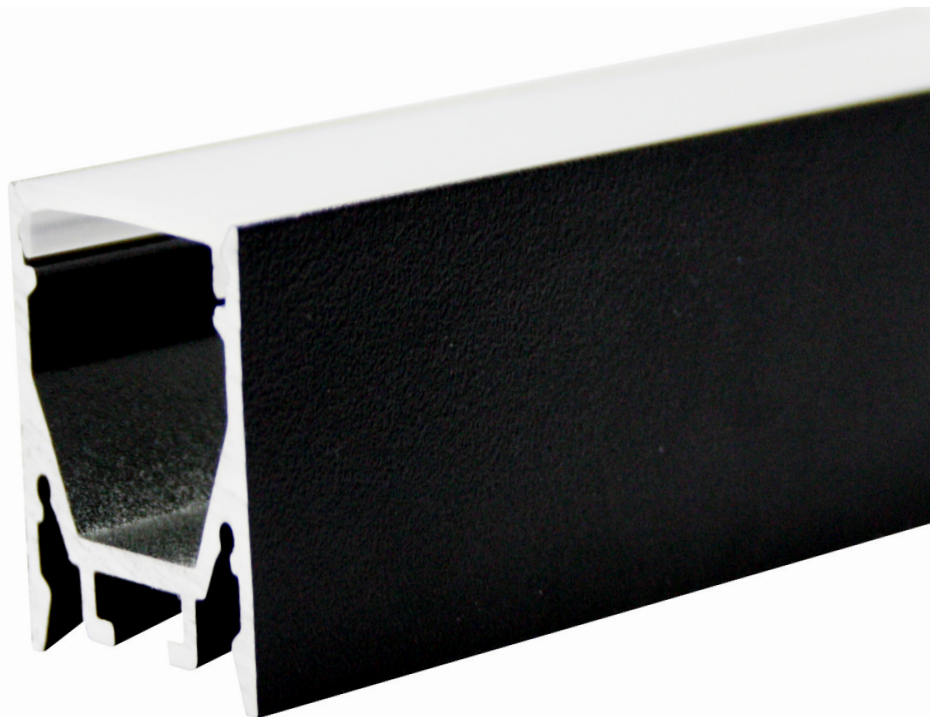


# TITANIUM

## TECHNOLOGY

TT-54-2000-O-BK

- Aluminum profile with white acrylic.
- Designed to cover and dissipate heat the LED strips.
- Available in lengths 2000 mm (78<sup>3</sup>/<sub>4</sub> ").

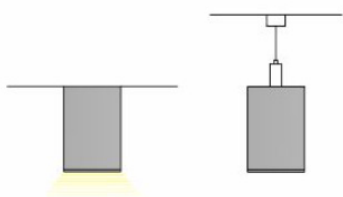


Size 25mm x 25mm x 2000mm  
1" x 1" x 78<sup>3</sup>/<sub>4</sub>"

Length 2000mm  
78<sup>3</sup>/<sub>4</sub>"

Internal width 13,2mm  
1/2"

Cover PC diffused



### Accessories



TT-54-CLIP



TT-54-SUSP

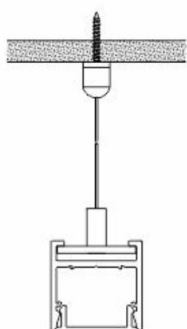
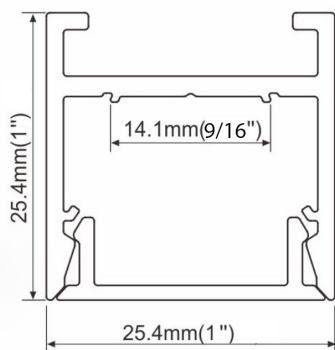
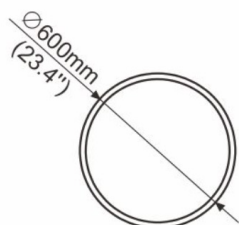
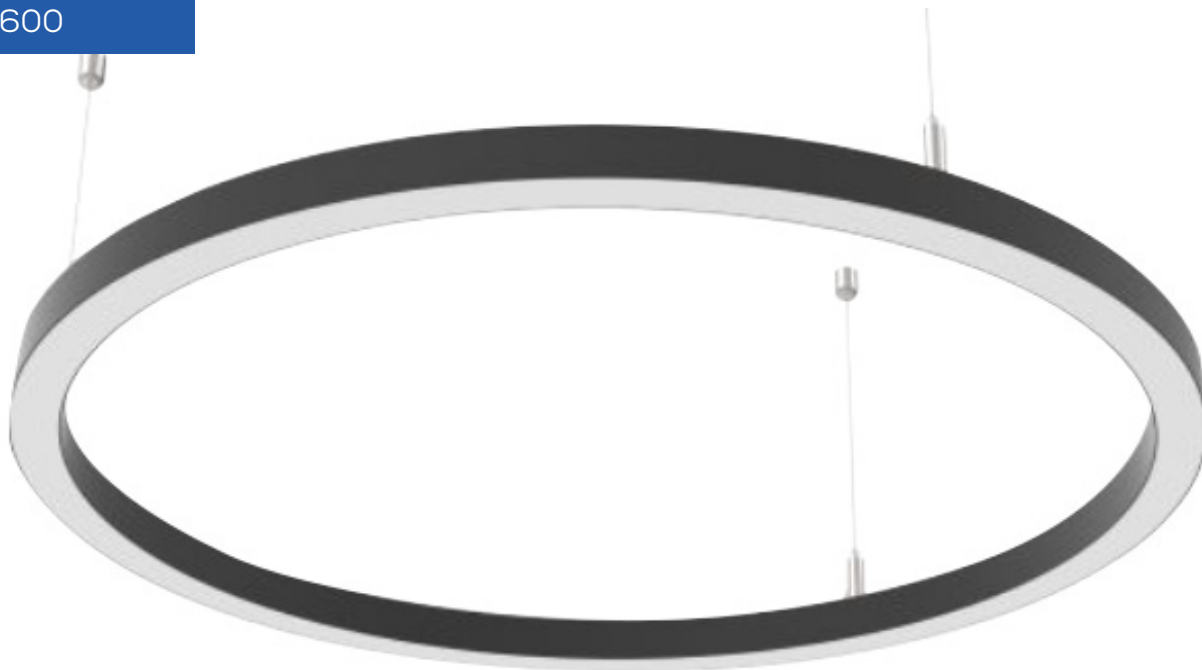


TT-54-END-BK

# TITANIUM

TECHNOLOGY

TT-R25-600



Size	25,4mm x 25,4mm x Ø 600mm 1" x 1" x 23 <sup>5</sup> / <sub>8</sub> "
Diameter	Ø 600mm 23 <sup>5</sup> / <sub>8</sub> "
Internal width	14,1mm 9/ <sub>16</sub> "

## Accessories



TT-R25-LED



TT-R25-SUSP

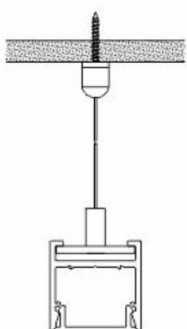
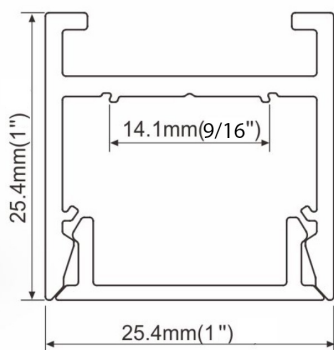
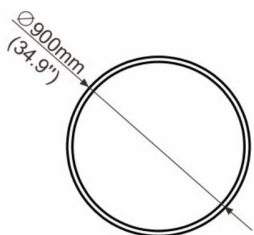
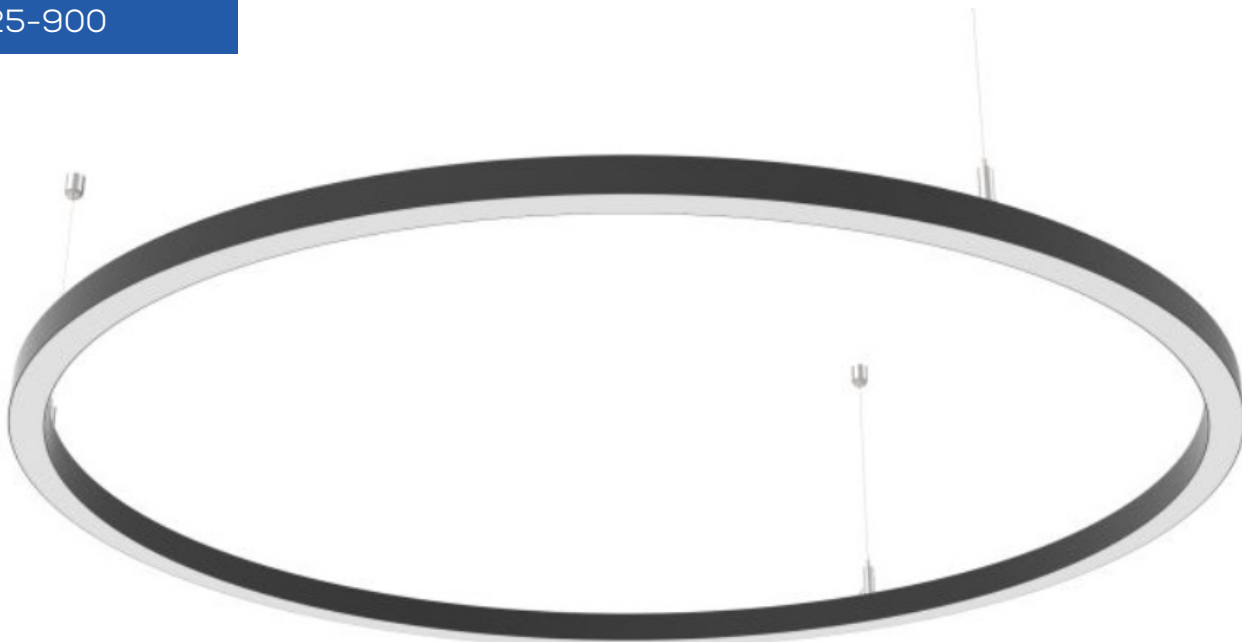


TT-R25-EXT

# TITANIUM

TECHNOLOGY

TT-R25-900



Size	25,4mm x 25,4mm x Ø 900mm 1" x 1" x 35 <sup>7</sup> / <sub>16</sub> "
Diameter	Ø 900mm 35 <sup>7</sup> / <sub>16</sub> "
Internal width	14,1mm 9 <sup>9</sup> / <sub>16</sub> "

## Accessories



TT-R25-LED



TT-R25-SUSP

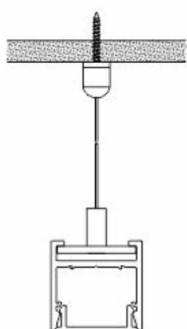
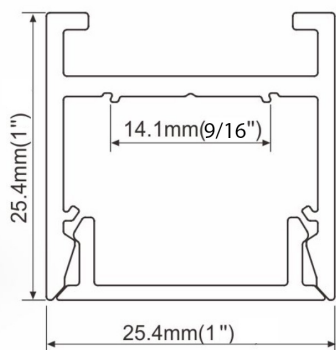
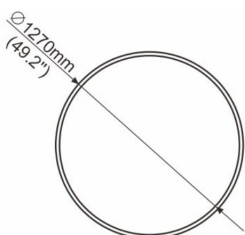
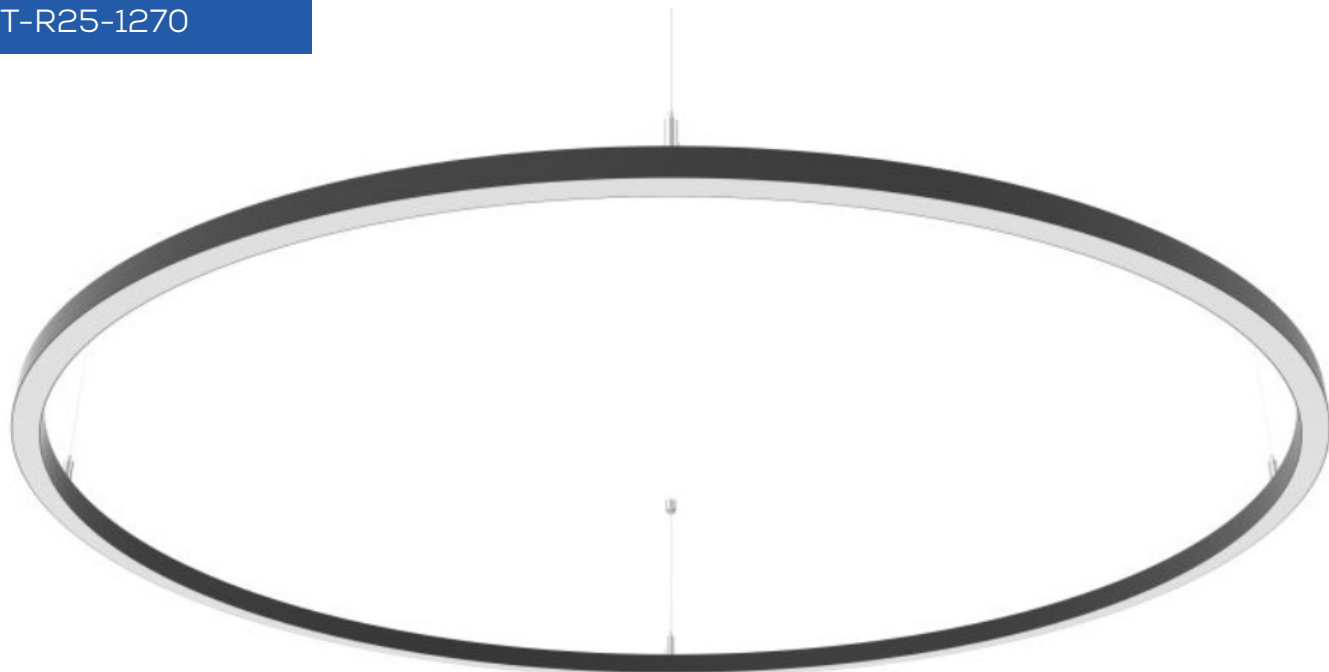


TT-R25-EXT

# TITANIUM

TECHNOLOGY

TT-R25-1270



Size	25,4mm x 25,4mm x Ø 1270mm 1" x 1" x 50"
Diameter	Ø 1270mm 50"
Internal width	14,1mm 9/16"

## Accessories



TT-R25-LED



TT-R25-SUSP

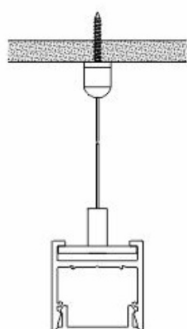
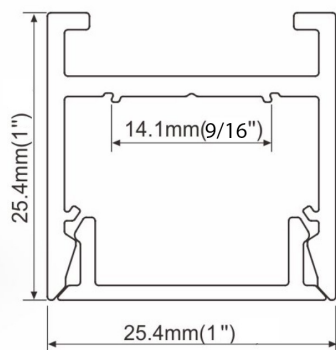
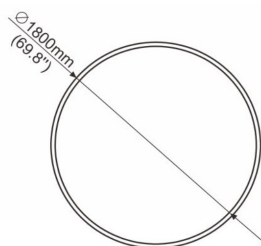
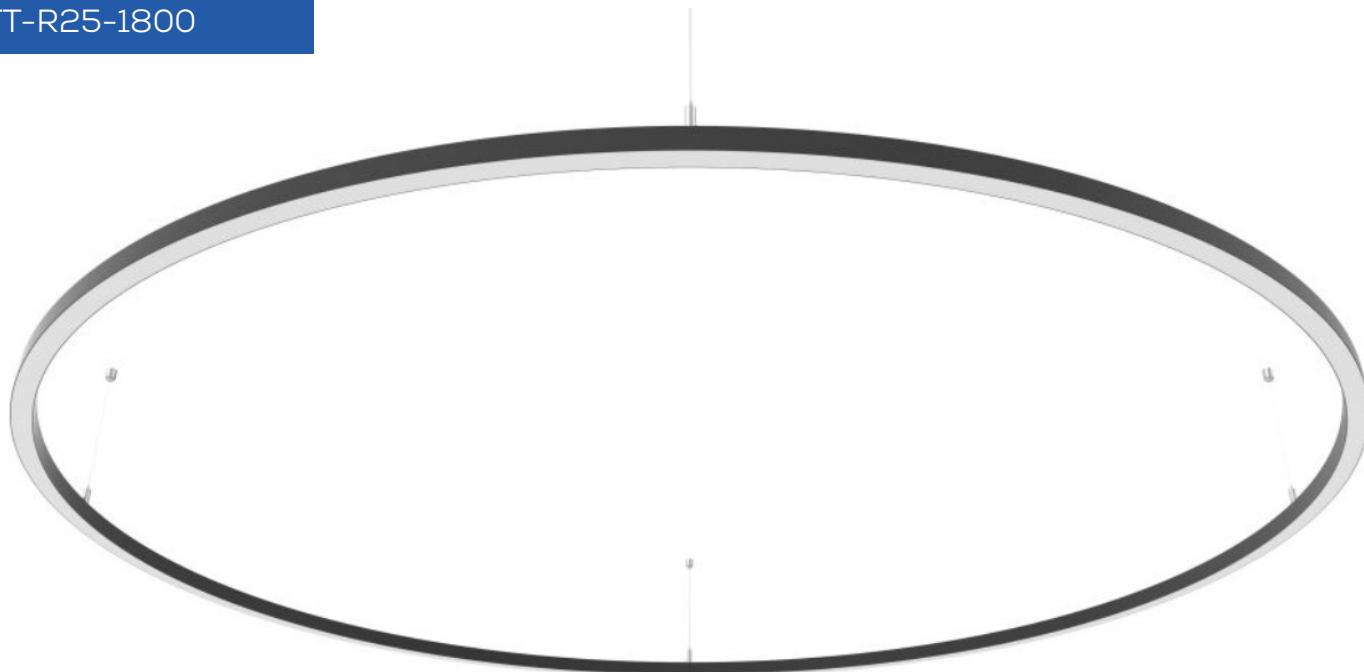


TT-R25-EXT

# TITANIUM

TECHNOLOGY

TT-R25-1800



Size	25,4mm x 25,4mm x Ø 1800mm 1" x 1" x 70 <sup>7</sup> / <sub>8</sub> "
Diameter	Ø 1800mm 70 <sup>7</sup> / <sub>8</sub> "
Internal width	14,1mm 9 <sup>9</sup> / <sub>16</sub> "

## Accessories



TT-R25-LED



TT-R25-SUSP

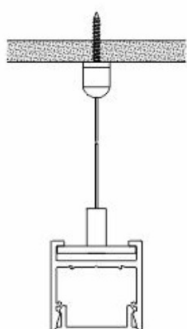
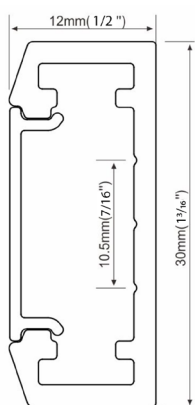
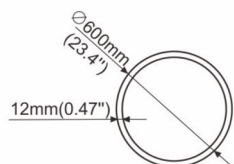
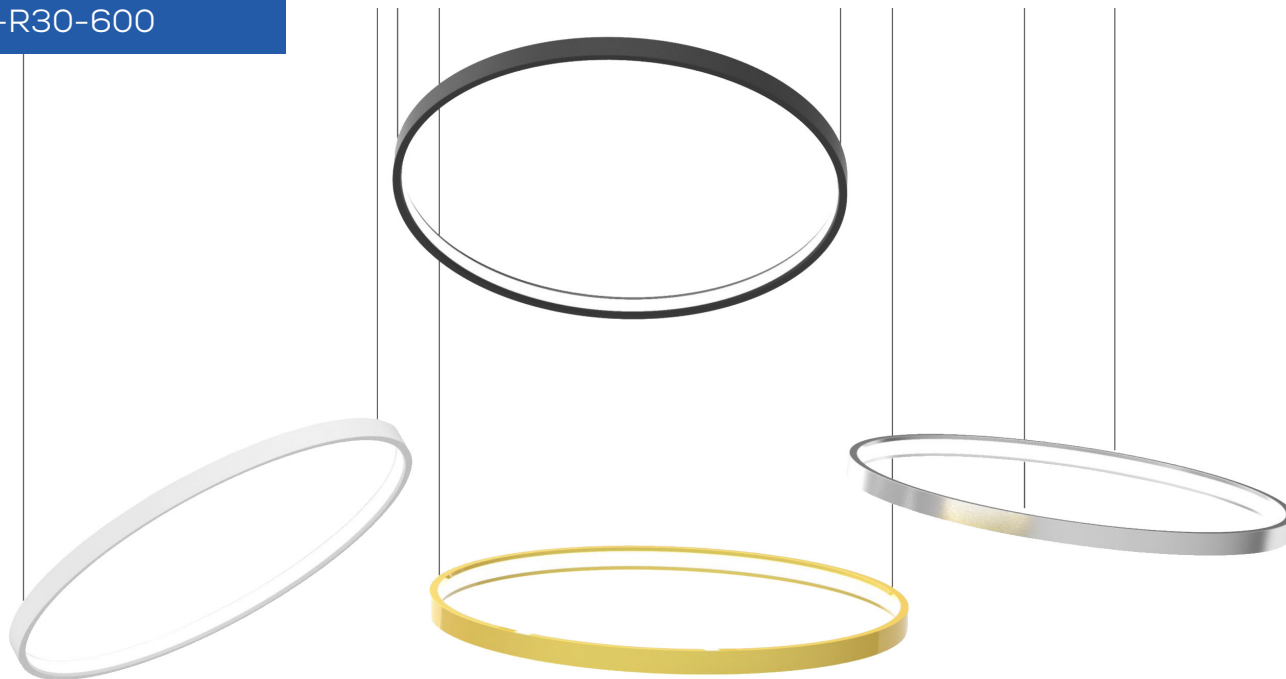


TT-R25-EXT

# TITANIUM

## TECHNOLOGY

TT-R30-600



Size	12mm x 30mm x Ø 600mm 1/2" x 1 3/16" x 23 5/8"
Diameter	Ø 600mm 23 5/8"
Internal width	10,5mm 7/16"

### Accessories

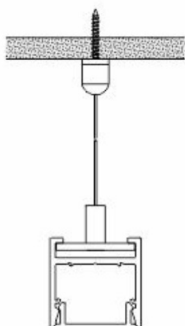
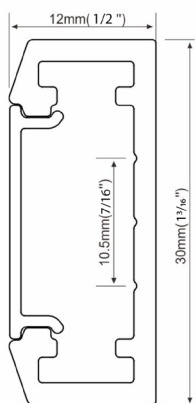
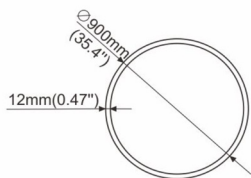
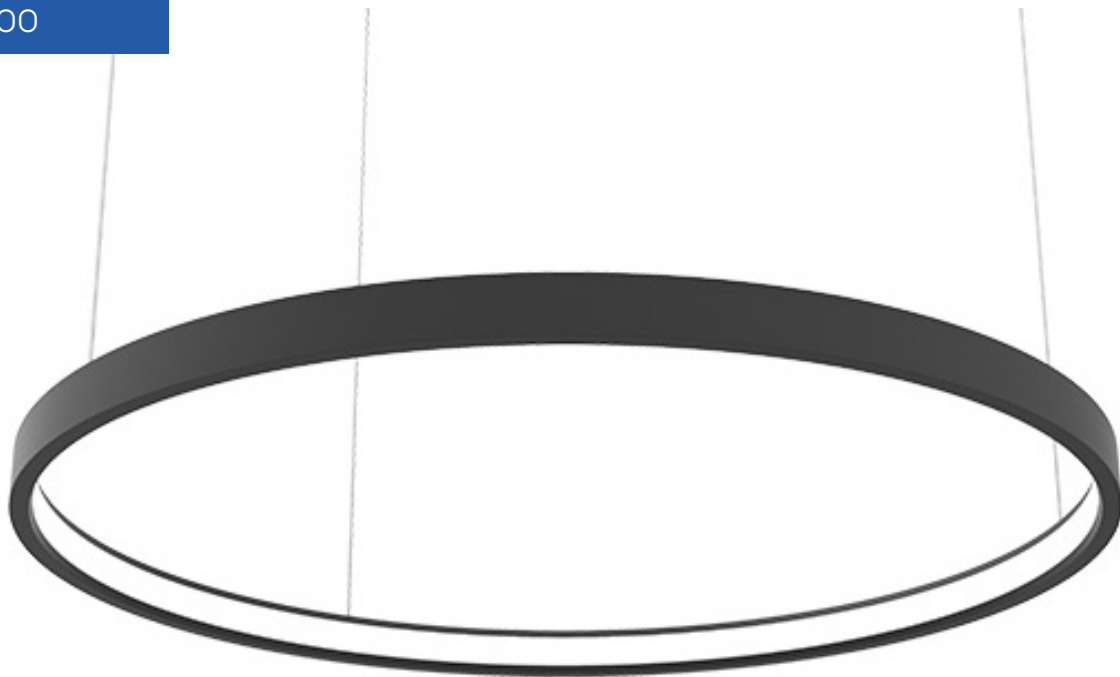


TT-R30-SUSP

# TITANIUM

TECHNOLOGY

TT-R30-900



Size	12mm x 30mm x Ø 900mm 1/2" x 1 3/16" x 35 7/16"
Diameter	Ø 900mm 35 7/16"
Internal width	10,5mm 7/16"

## Accessories

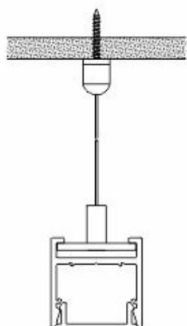
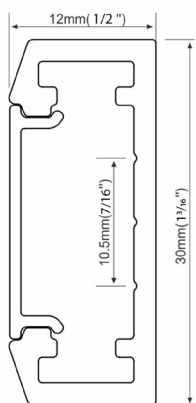
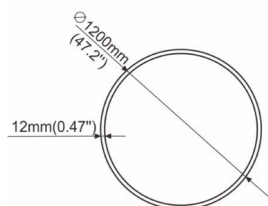
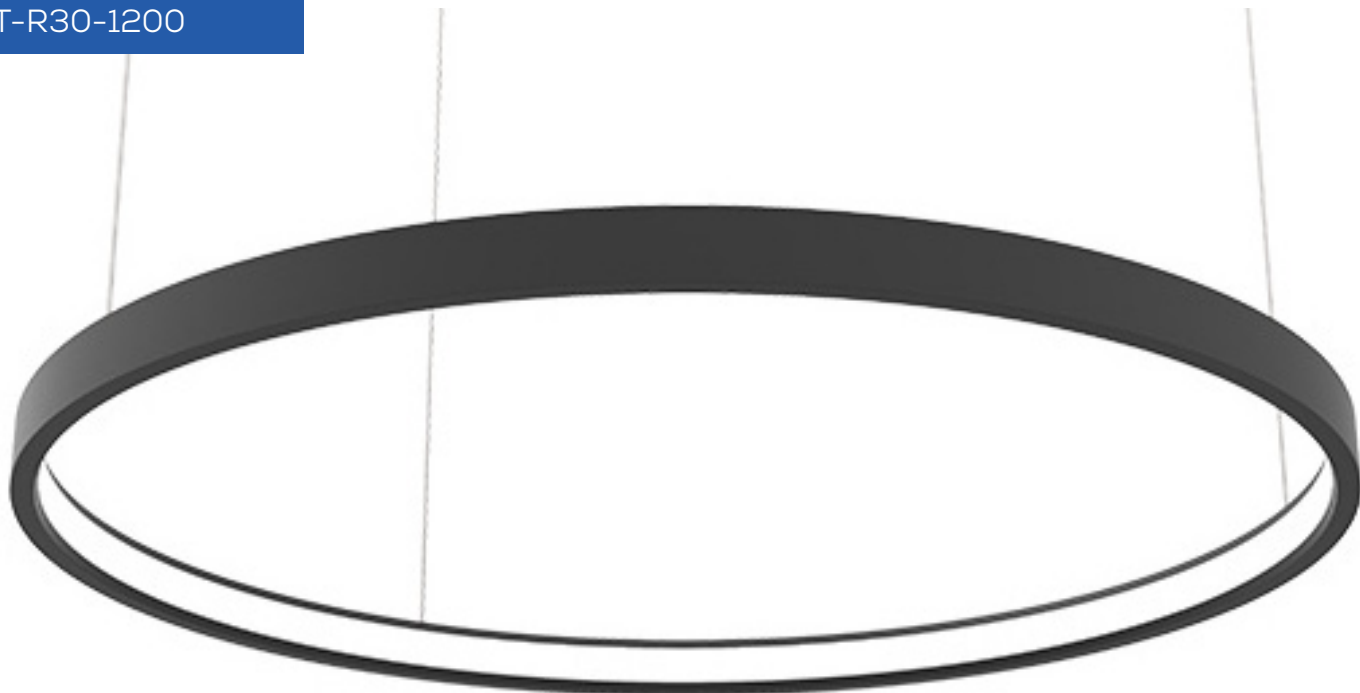


TT-R30-SUSP

# TITANIUM

TECHNOLOGY

TT-R30-1200



Size 12mm x 30mm x  $\varnothing$  1200mm  
 $1/2"$  x  $1^3/16"$  x  $47^1/4"$

Diameter  $\varnothing$  1200mm  
 $47^1/4"$

Internal width 10,5mm  
 $7/16"$

## Accessories



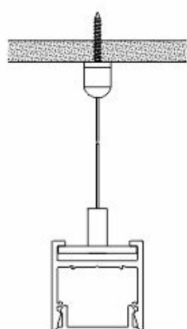
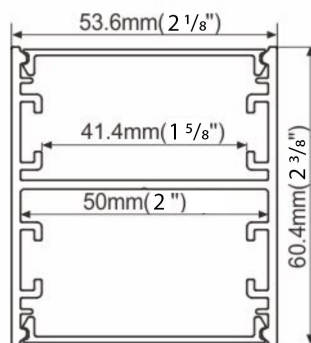
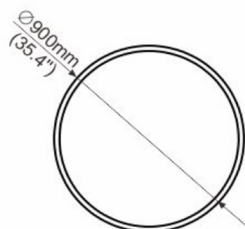
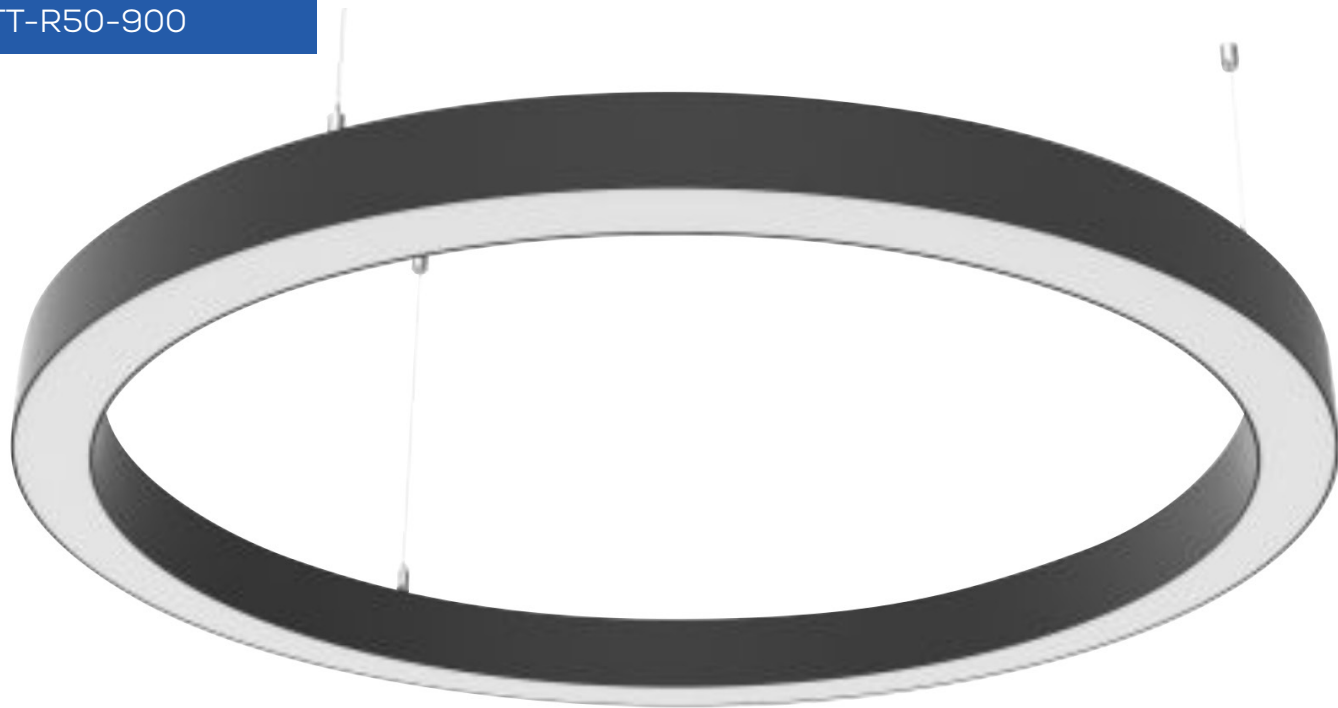
TT-R30-SUSP



# TITANIUM

TECHNOLOGY

TT-R50-900



Size	53,6mm x 60,4mm x Ø 900mm 2 <sup>1</sup> / <sub>8</sub> " x 2 <sup>3</sup> / <sub>8</sub> " x 35 <sup>7</sup> / <sub>16</sub> "
Diameter	Ø 900mm 35 <sup>7</sup> / <sub>16</sub> "
Internal width	41,1mm 1 <sup>5</sup> / <sub>8</sub> "

## Accessories



TT-R50-LED



TT-R50-SUSP



TT-R50-EXT

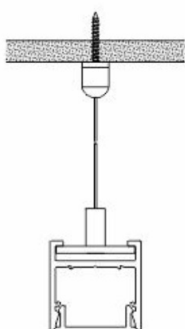
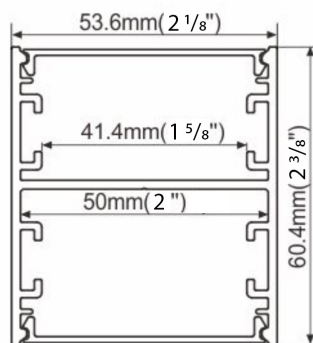
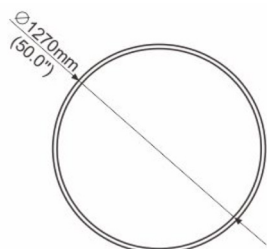
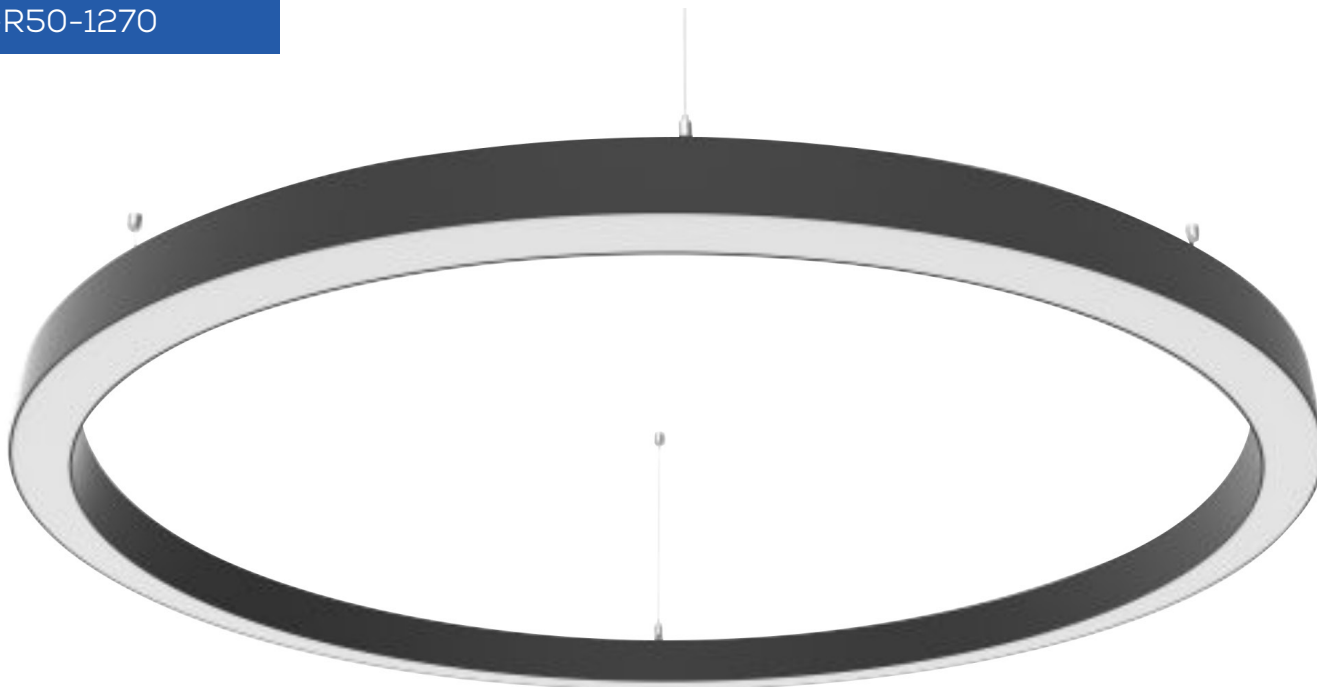


TT-R50-CLIP

# TITANIUM

TECHNOLOGY

TT-R50-1270



Size	53,6mm x 60,4mm x Ø 1270mm 2 <sup>1</sup> / <sub>8</sub> " x 2 <sup>3</sup> / <sub>8</sub> " x 50"
Diameter	Ø 1270mm 50"
Internal width	41,1mm 1 <sup>5</sup> / <sub>8</sub> "

## Accessories



TT-R50-LED



TT-R50-SUSP



TT-R50-EXT

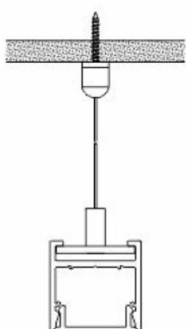
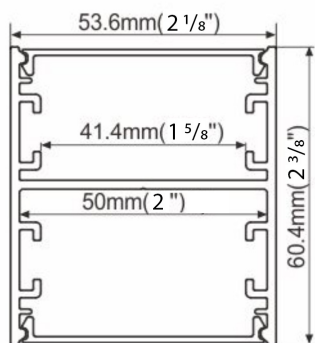
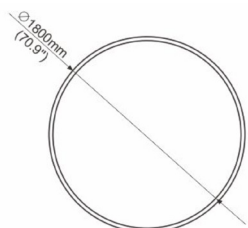
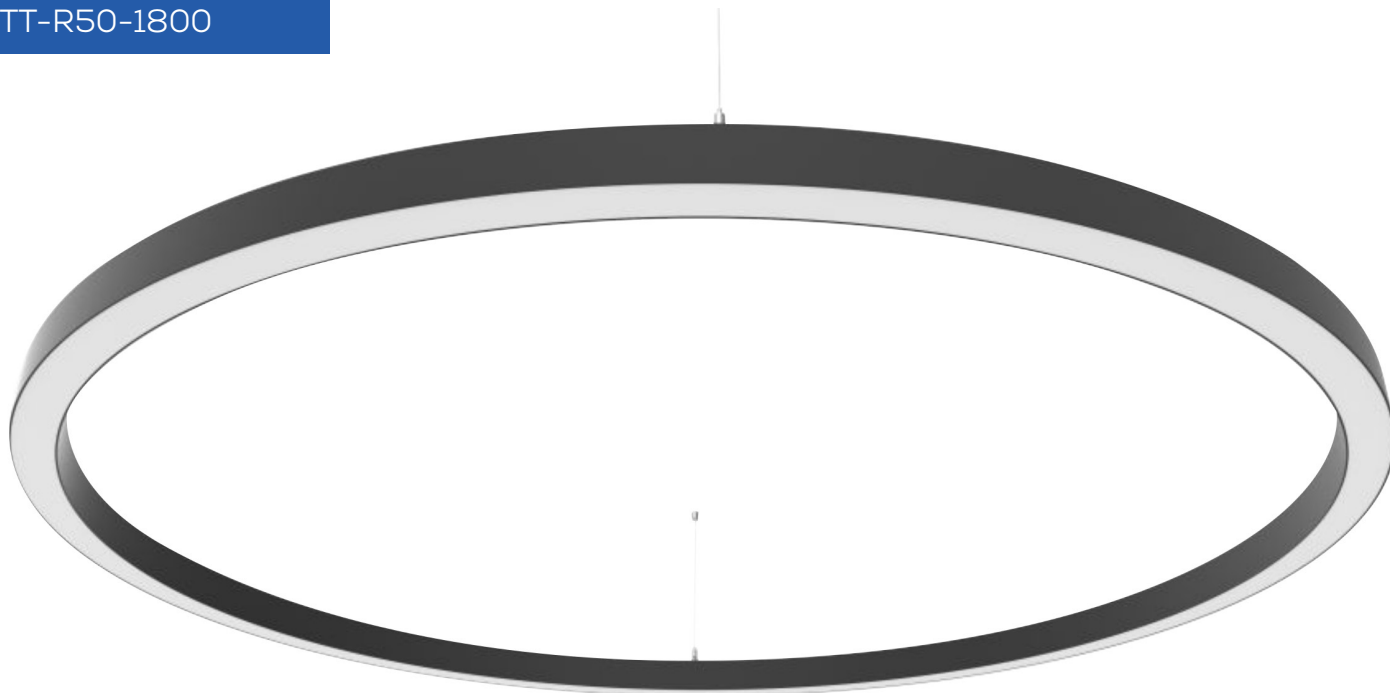


TT-R50-CLIP

# TITANIUM

TECHNOLOGY

TT-R50-1800



Size	53,6mm x 60,4mm x $\varnothing$ 1800mm 2 <sup>1</sup> / <sub>8</sub> " x 2 <sup>3</sup> / <sub>8</sub> " x 70 <sup>7</sup> / <sub>8</sub> "
Diameter	$\varnothing$ 1800mm 70 <sup>7</sup> / <sub>8</sub> "
Internal width	41,1mm 1 <sup>5</sup> / <sub>8</sub> "

## Accessories



TT-R50-LED



TT-R50-SUSP



TT-R50-EXT

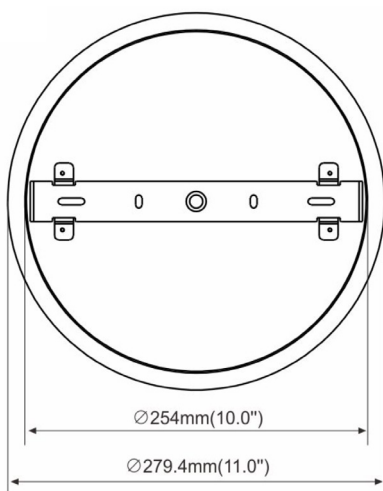
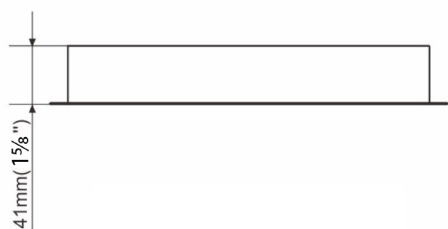


TT-R50-CLIP

# TITANIUM

TECHNOLOGY

TT-CANOPY-01

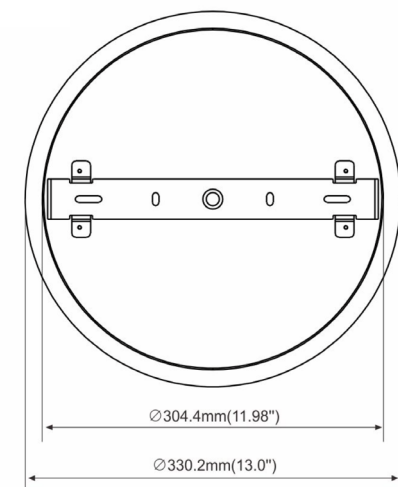
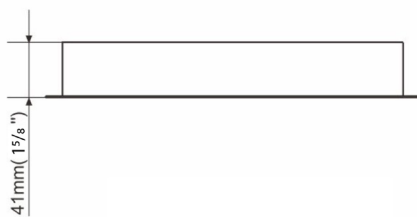


Size	41mm x $\varnothing 279,4\text{mm}$ 1 <sup>5</sup> / <sub>8</sub> " x 11"
Diameter	$\varnothing 279,4\text{mm}$ 11"
Internal width	254mm 10"

# TITANIUM

TECHNOLOGY

TT-CANOPY-02



Size	41mm x Ø 330,2mm 1 <sup>5</sup> / <sub>8</sub> " x 13"
Diameter	Ø 330,2mm 13"
Internal width	Ø 304,4mm 12"

# BLACK SHADOW SERIES



Credit photo: Cuisines Simard



### TT-55-3000-BK Page 73

Power (W/m)	Luminous flux (lm/feet)	CRI	CCT (Kelvin)	Length (inch)
5,9 ~ 34	38 ~ 600	90	2700 ~ 6000	1 ~ 118



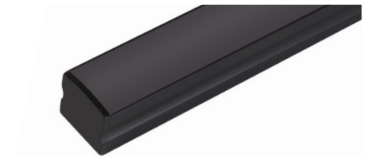
### TT-56-3000-BK Page 74

Power (W/m)	Luminous flux (lm/feet)	CRI	CCT (Kelvin)	Length (inch)
5,9 ~ 34	38 ~ 600	90	2700 ~ 6000	1 ~ 118



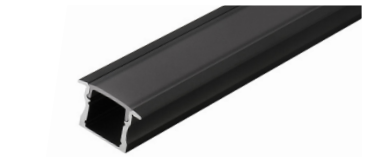
### TT-57-3000-BK Page 75

Power (W/m)	Luminous flux (lm/feet)	CRI	CCT (Kelvin)	Length (inch)
5,9 ~ 34	38 ~ 600	90	2700 ~ 6000	1 ~ 118



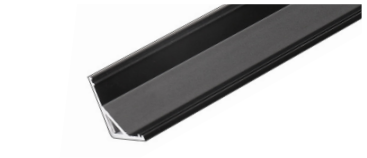
### TT-58-3000-BK Page 76

Power (W/m)	Luminous flux (lm/feet)	CRI	CCT (Kelvin)	Length (inch)
5,9 ~ 34	38 ~ 600	90	2700 ~ 6000	1 ~ 118



### TT-59-3000-BK Page 77

Power (W/m)	Luminous flux (lm/feet)	CRI	CCT (Kelvin)	Length (inch)
5,9 ~ 34	38 ~ 600	90	2700 ~ 6000	1 ~ 118



### TT-60-3000-BK Page 78

Power (W/m)	Luminous flux (lm/feet)	CRI	CCT (Kelvin)	Length (inch)
5,9 ~ 34	38 ~ 600	90	2700 ~ 6000	1 ~ 118



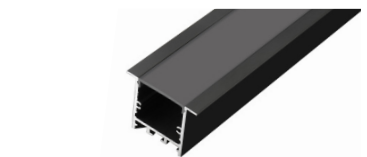
### TT-61-3000-BK Page 79

Power (W/m)	Luminous flux (lm/feet)	CRI	CCT (Kelvin)	Length (inch)
5,9 ~ 34	38 ~ 600	90	2700 ~ 6000	1 ~ 118



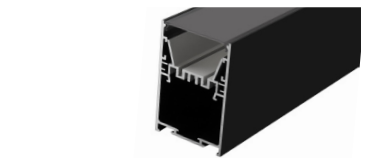
### TT-62-3000-BK Page 80

Power (W/m)	Luminous flux (lm/feet)	CRI	CCT (Kelvin)	Length (inch)
5,9 ~ 34	38 ~ 600	90	2700 ~ 6000	1 ~ 118



### TT-63-3000-BK Page 81

Power (W/m)	Luminous flux (lm/feet)	CRI	CCT (Kelvin)	Length (inch)
5,9 ~ 34	38 ~ 600	90	2700 ~ 6000	1 ~ 118



## PRODUCT BUILDER CODE

TT	PROFILE	LENGTH (inch)	LUMEN PACKAGE	COLOUR CCT	IP	VOLTAGE	LEAD IN (inch)	LEAD OUT (inch)	END CAP	CLIP	PSU
TT											
			<b>28/6</b> 221 lm/feet 5W/feet	<b>27</b> 2700K	<b>20</b>	<b>12</b>	<b>Hxxxx</b> 12 inchs minimum	<b>empty</b> No lead out	<b>NE</b> No end cap	<b>NC</b> No Clip	<b>n/a</b> No psu
			<b>28/6 H</b> 527 lm/feet 6.25W/feet *24v only	<b>30</b> 3000K	<b>65</b>	<b>24</b>	<b>DCxxxx</b> 12 inchs minimum	<b>Hxxxx</b> 12 inchs minimum	<b>EC</b> With end cap	<b>xC</b> x=QTE	<b>P</b> Plug-in
			<b>28/12</b> 456 lm/feet 9W/feet *24v only	<b>35</b> 3500K				<b>DCxxxx</b> 12 inchs minimum			<b>CV</b> Dimmable
			<b>35/3</b> 45 lm/feet 1.5W/feet	<b>40</b> 4000K							<b>CV-BOX</b> Dimmable with box
			<b>35/6</b> 120 lm/feet 3W/feet	<b>60</b> 6000K							<b>CV67</b> IP67 psu
			<b>22/15</b> 425 lm/feet 9W/feet *24v only	<b>RE</b> RED							<b>120V</b> No dimmable 120v psu
			<b>50/3</b> 4.5W/feet	<b>GR</b> GREEN							<b>347V</b> No dimmable 347V PSU
			<b>DX/24</b> DIGITAL DMX *24V only	<b>BL</b> BLUE							<b>010</b> 0-10v PSU
				<b>AM</b> AMBER							
				<b>PK</b> PINK *28/6 only							
				<b>CB</b> CYAN *28/6 only							
				<b>OR</b> ORANGE *28/6 only							
				<b>UV</b> *28/6 only							
				<b>RGB</b> *50/3, 28/6 or 35/6 only							
				<b>RGBWW</b> *50/3 only							
				<b>RGBNW</b> *50/3 only							
				<b>RGBCW</b> *50/3 only							
				<b>RGBCCT</b> *50/3 only							

For a custom color, add at the end of the manufacturer code number COLOR RAL K7. Contact your dealer about the additional cost to a special color.



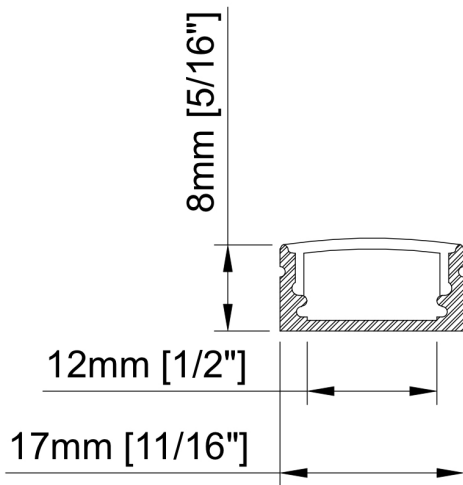
# TITANIUM

TECHNOLOGY

TT-55-3000-O-BK



- Aluminum profile with smoked acrylic.
- Designed to cover and dissipate heat the LED strips.
- Available in lengths 3000 mm (118<sup>1</sup>/<sub>8</sub>").



Size	17mm x 8mm x 3000mm 1 <sup>1</sup> / <sub>16</sub> " x 5 <sup>5</sup> / <sub>16</sub> " x 118 <sup>1</sup> / <sub>8</sub> "
Length	3000mm 118 <sup>1</sup> / <sub>8</sub> "
Internal width	12mm 1 <sup>1</sup> / <sub>2</sub> "
Cover	Smoked Matte opal PMMA Clear PMMA PC difuser
Finish	BK-Black

## Accessories



TT-55-CLIP

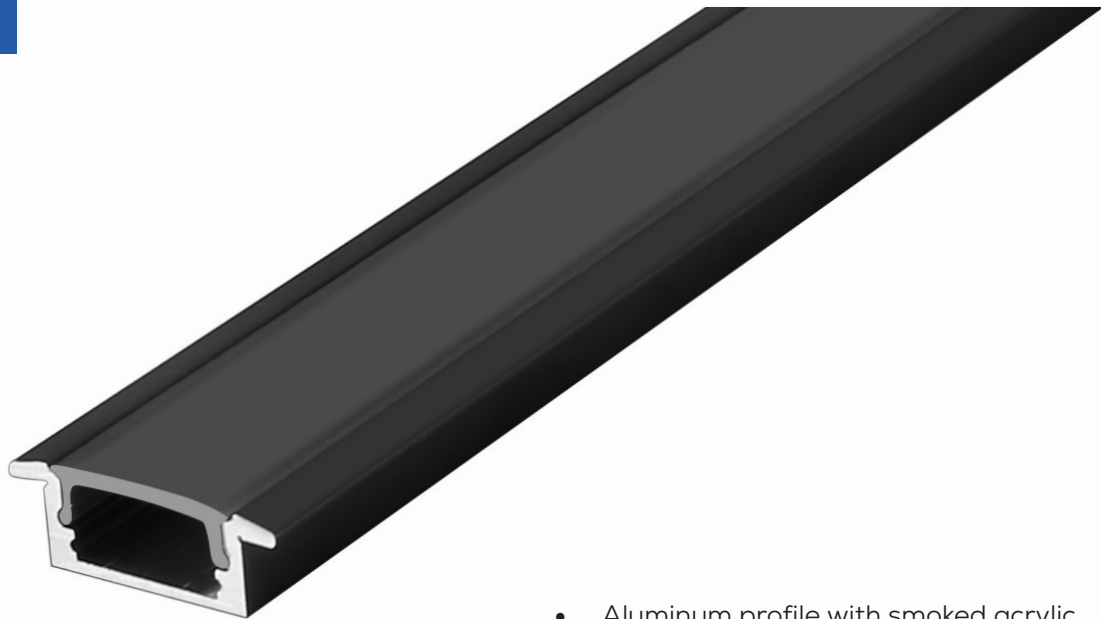


TT-55-END

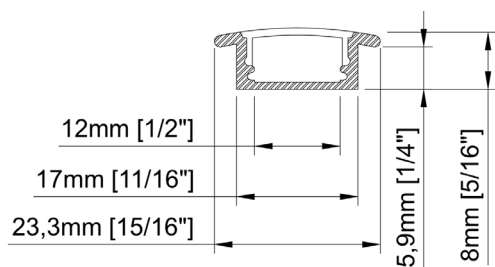
# TITANIUM

TECHNOLOGY

TT-56-3000-O-BK



- Aluminum profile with smoked acrylic.
- Designed to cover and dissipate heat the LED strips.
- Available in lengths 3000 mm (118<sup>1</sup>/<sub>8</sub>").



Size	23,3mm x 8mm x 3000mm $15/16" \times 5/16" \times 118^{1}/8"$
Length	3000mm $118^{1}/8"$
Internal width	12mm $1/2"$
Cover	Smoked Matte opal PMMA Clear PMMA PC difuser
Finish	BK-Black

## Accessories



TT-56-CLIP

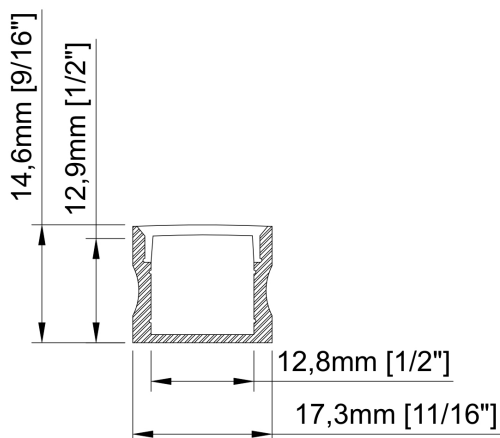
# TITANIUM

TECHNOLOGY

TT-57-3000-O-BK



- Aluminum profile with smoked acrylic.
- Designed to cover and dissipate heat the LED strips.
- Available in lengths 3000 mm (118<sup>1</sup>/<sub>8</sub>").



Size	17mm x 14,6mm x 3000mm $11/16" \times 9/16" \times 118^{1/8}"$
Length	3000mm $118^{1/8}"$
Internal width	12,8mm $1/2"$
Cover	Smoked Matte opal PMMA Clear PMMA PC difuser
Finish	BK-Black

## Accessories



TT-57-CLIP

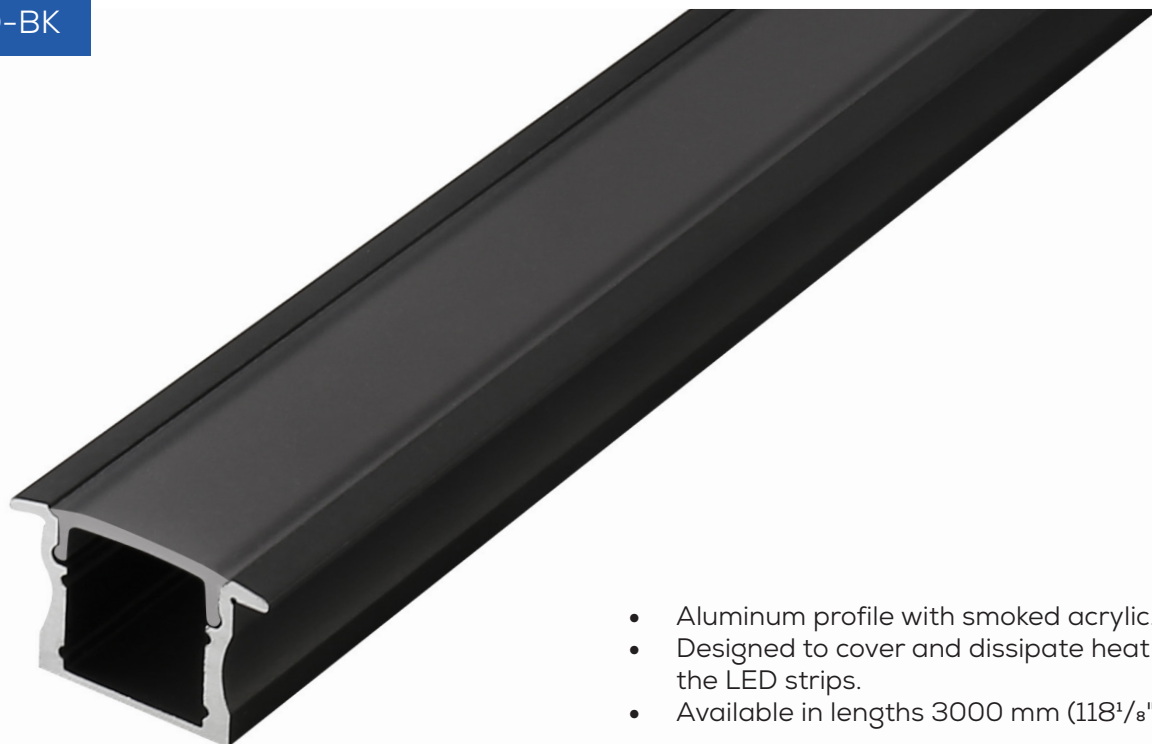


TT-57-END

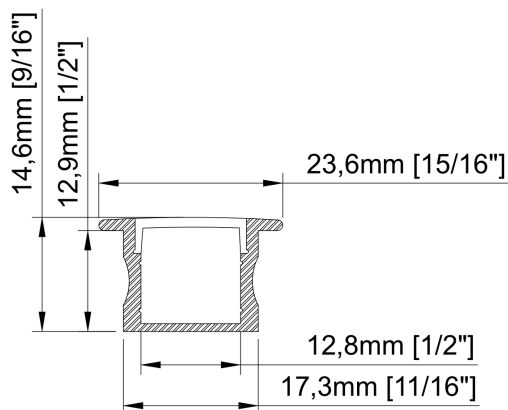
# TITANIUM

TECHNOLOGY

TT-58-3000-O-BK



- Aluminum profile with smoked acrylic.
- Designed to cover and dissipate heat the LED strips.
- Available in lengths 3000 mm (118<sup>1</sup>/<sub>8</sub>").



Size	23,6mm x 14,6mm x 3000mm $1\frac{5}{16}'' \times \frac{9}{16}'' \times 118\frac{1}{8}''$
Length	3000mm $118\frac{1}{8}''$
Internal width	12,8mm $\frac{1}{2}''$
Cover	Smoked Matte opal PMMA Clear PMMA PC difuser
Finish	BK-Black

## Accessories



TT-58-END

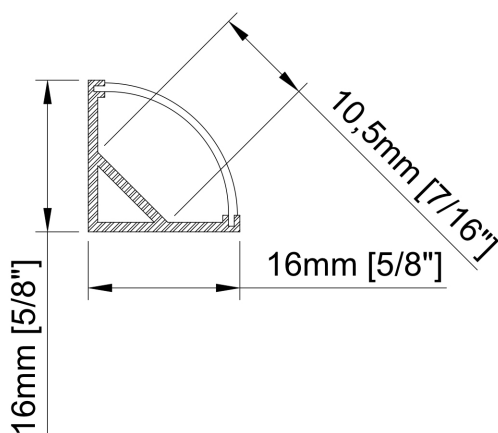
# TITANIUM

TECHNOLOGY

TT-59-3000-O-BK



- Aluminum profile with smoked acrylic.
- Designed to cover and dissipate heat the LED strips.
- Available in lengths 3000 mm (118<sup>1</sup>/<sub>8</sub>").



Size	16mm x 16mm x 3000mm 5/8" x 5/8" x 118 <sup>1</sup> / <sub>8</sub> "
Lenght	3000mm 118 <sup>1</sup> / <sub>8</sub> "
Internal width	10,5mm 7/16"
Cover	Smoked Matte opal PMMA Clear PMMA PC difuser
Finish	BK-Black

## Accessories



TT-59-CLIP



TT-59-END

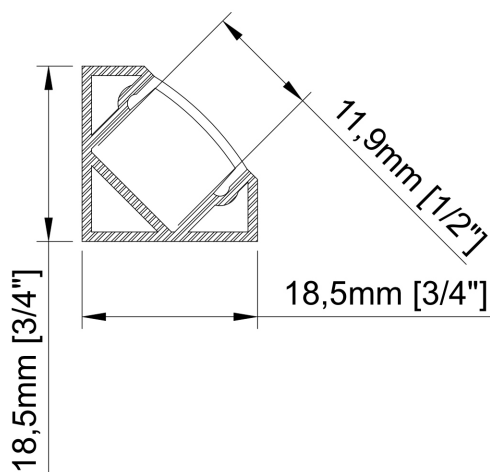
# TITANIUM

TECHNOLOGY

TT-60-3000-O-BK



- Aluminum profile with smoked acrylic.
- Designed to cover and dissipate heat the LED strips.
- Available in lengths 3000 mm (118<sup>1</sup>/<sub>8</sub>").



Size	18,5mm x 18,5mm x 3000mm $\frac{3}{4}'' \times \frac{3}{4}'' \times 118\frac{1}{8}''$
Length	3000mm $118\frac{1}{8}''$
Internal width	11,9mm $\frac{1}{2}''$
Cover	Smoked Matte opal PMMA Clear PMMA PC difuser
Finish	BK-Black

## Accessories



TT-60-CLIP

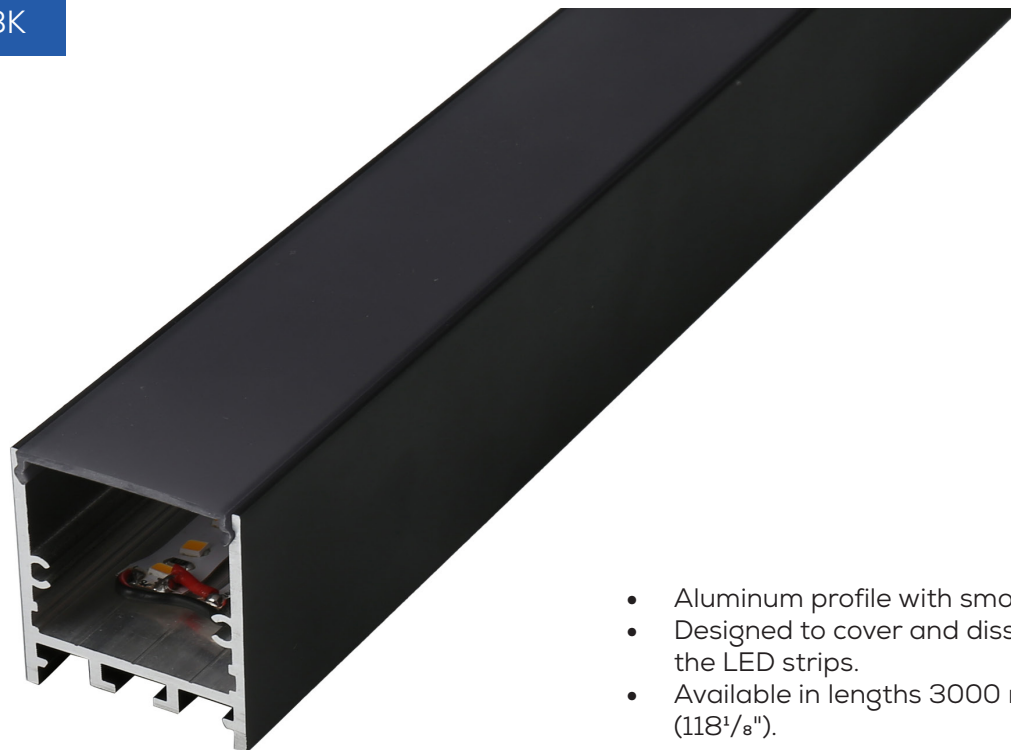


TT-60-END

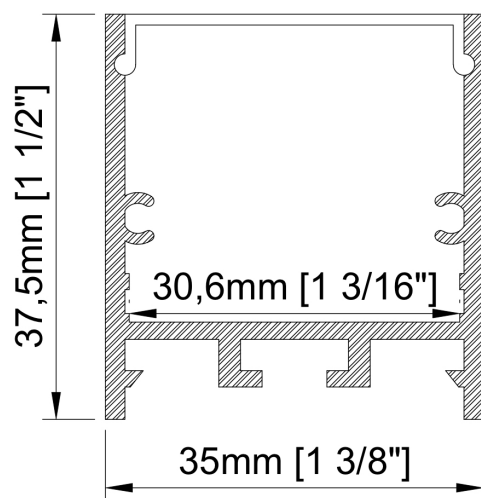
# TITANIUM

TECHNOLOGY

TT-61-3000-O-BK



- Aluminum profile with smoked acrylic.
- Designed to cover and dissipate heat the LED strips.
- Available in lengths 3000 mm (118<sup>1</sup>/<sub>8</sub>").



Size	35mm x 37,5mm x 3000mm 1 <sup>3</sup> / <sub>8</sub> " x 1 <sup>1</sup> / <sub>2</sub> " x 118 <sup>1</sup> / <sub>8</sub> "
Length	3000mm 118 <sup>1</sup> / <sub>8</sub> "
Internal width	30,6mm 1 <sup>3</sup> / <sub>16</sub> "
Cover	Smoked PC diffused
Finish	BK-Black

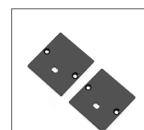
## Accessories



TT-61-CLIP



TT-61-SUSP

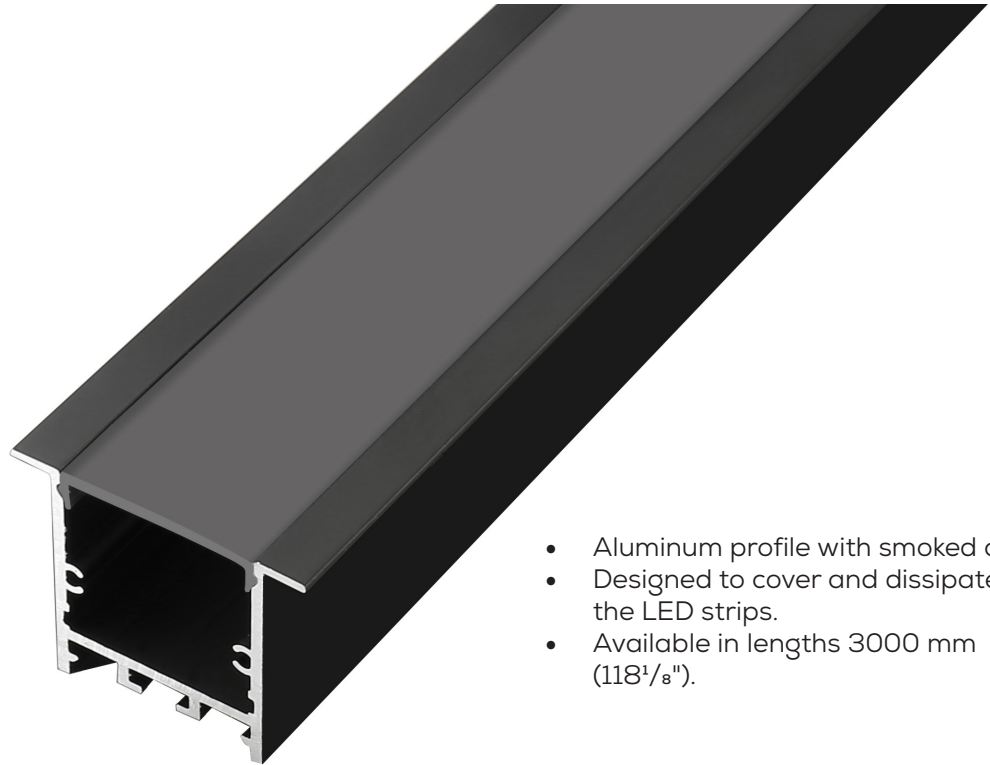


TT-61-END

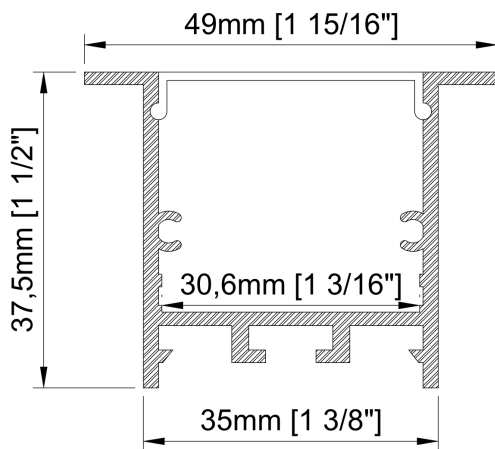
# TITANIUM

TECHNOLOGY

TT-62-3000-O-BK



- Aluminum profile with smoked acrylic.
- Designed to cover and dissipate heat the LED strips.
- Available in lengths 3000 mm (118<sup>1</sup>/<sub>8</sub>").



Size	49mm x 37,5mm x 3000mm 1 <sup>15</sup> / <sub>16</sub> " x 1 <sup>1</sup> / <sub>2</sub> " x 118 <sup>1</sup> / <sub>8</sub> "
Lenght	3000mm 118 <sup>1</sup> / <sub>8</sub> "
Internal width	30,6mm 1 <sup>3</sup> / <sub>16</sub> "
Cover	Smoked PC diffused
Finish	BK-Black

## Accessories



TT-62-SNAP

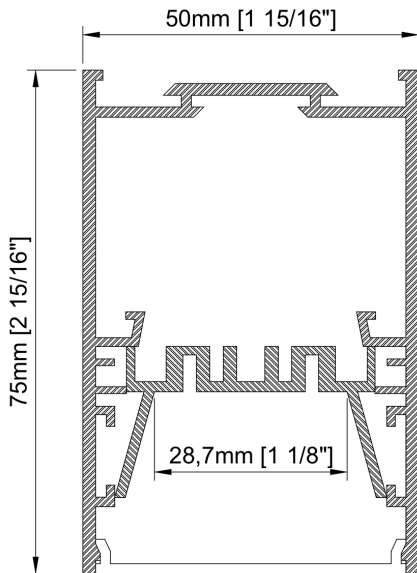


TT-62-END



TT-63-3000-O-BK

- Aluminum profile with smoked acrylic.
- Designed to cover and dissipate heat the LED strips.
- Available in lengths 3000 mm (118<sup>1</sup>/<sub>8</sub>").



Size	50mm x 75mm x 3000mm 1 <sup>15</sup> / <sub>16</sub> " x 2 <sup>15</sup> / <sub>16</sub> " x 118 <sup>1</sup> / <sub>8</sub> "
Length	3000mm 118 <sup>1</sup> / <sub>8</sub> "
Internal width	28,7mm 1 <sup>1</sup> / <sub>8</sub> "
Cover	Smoked PC diffused
Finish	BK-Black

### Accessories



TT-63-CLIP



TT-63-SUSP



TT-63-SNAP



TT-63-CABLE



TT-63-END

# TRIM-LESS MUD-IN



Credit photo: Godomo

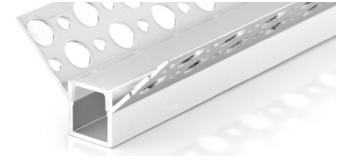
# TITANIUM

## TECHNOLOGY



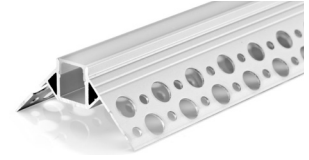
Power (W/m)	Luminous flux (lm/feet)	CRI	CCT (Kelvin)	Length (inch)
5.9 ~ 34	38 ~ 600	90	2700 ~ 6000	1 ~ 118

**TT-26-3000** Page 85



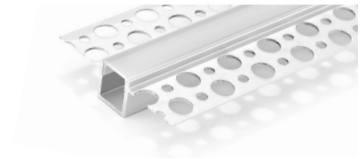
Power (W/m)	Luminous flux (lm/feet)	CRI	CCT (Kelvin)	Length (inch)
5.9 ~ 34	38 ~ 600	90	2700 ~ 6000	1 ~ 118

**TT-27-3000** Page 86



Power (W/m)	Luminous flux (lm/feet)	CRI	CCT (Kelvin)	Length (inch)
5.9 ~ 34	38 ~ 600	90	2700 ~ 6000	1 ~ 118

**TT-28-3000** Page 87



Power (W/m)	Luminous flux (lm/feet)	CRI	CCT (Kelvin)	Length (inch)
5.9 ~ 34	38 ~ 600	90	2700 ~ 6000	1 ~ 118

**TT-29-3000** Page 88



Power (W/m)	Luminous flux (lm/feet)	CRI	CCT (Kelvin)	Length (inch)
5.9 ~ 34	38 ~ 600	90	2700 ~ 6000	1 ~ 118

**TT-33-2000** Page 89



Power (W/m)	Luminous flux (lm/feet)	CRI	CCT (Kelvin)	Length (inch)
5.9 ~ 34	38 ~ 600	90	2700 ~ 6000	1 ~ 118

**TT-34-2000** Page 90



Power (W/m)	Luminous flux (lm/feet)	CRI	CCT (Kelvin)	Length (inch)
5.9 ~ 34	38 ~ 600	90	2700 ~ 6000	1 ~ 118

**TT-36-2000** Page 91



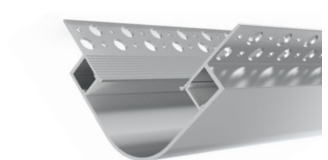
Power (W/m)	Luminous flux (lm/feet)	CRI	CCT (Kelvin)	Length (inch)
5.9 ~ 34	38 ~ 600	90	2700 ~ 6000	1 ~ 118

**TT-41-2000** Page 92



Power (W/m)	Luminous flux (lm/feet)	CRI	CCT (Kelvin)	Length (inch)
5.9 ~ 34	38 ~ 600	90	2700 ~ 6000	1 ~ 118

**TT-72-2000** Page 93



## PRODUCT BUILDER CODE

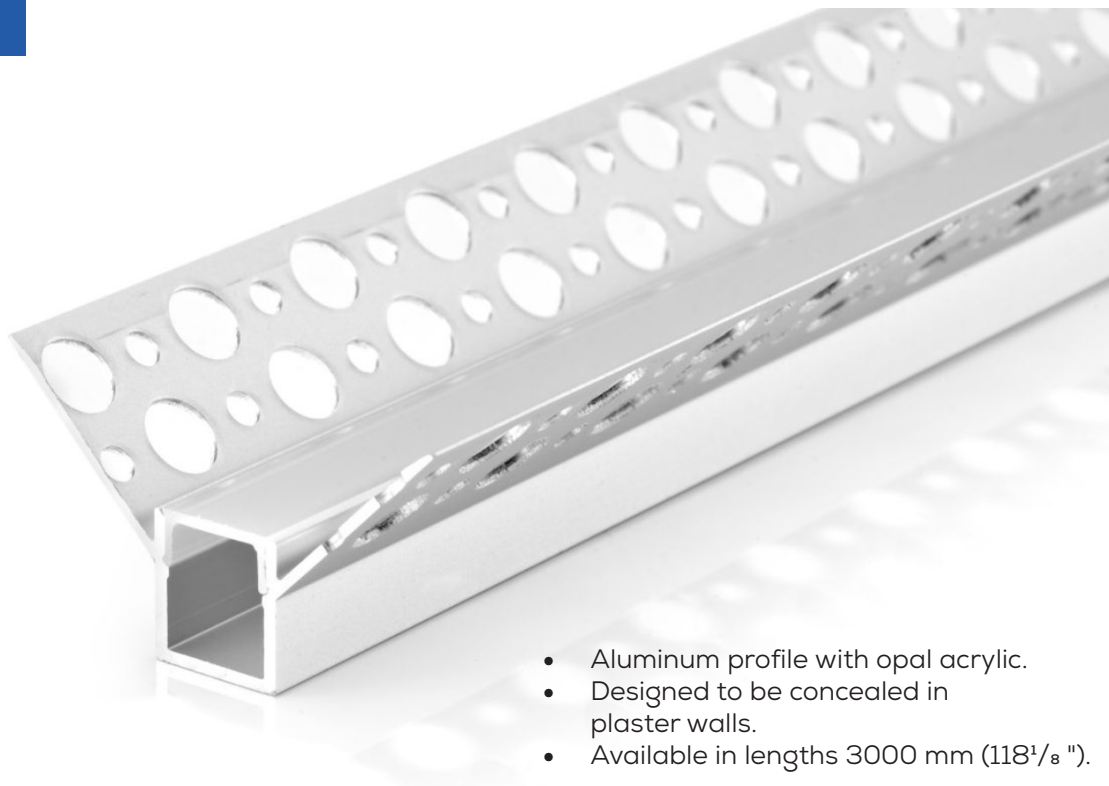
TT	PROFILE	LENGTH (inch)	LUMEN PACKAGE	COLOUR CCT	IP	VOLTAGE	LEAD IN (inch)	LEAD OUT (inch)	END CAP	CLIP	PSU
TT											
			<b>28/6</b> 221 lm/feet 5W/feet	<b>27</b> 2700K	<b>20</b>	<b>12</b>	<b>Hxxxx</b> 12 inchs minimum	<b>empty</b> No lead out	<b>NE</b> No end cap	<b>NC</b> No Clip	<b>n/a</b> No psu
			<b>28/6 H</b> 527 lm/feet 6,25W/feet *24v only	<b>30</b> 3000K	<b>65</b>	<b>24</b>	<b>DCxxxx</b> 12 inchs minimum	<b>Hxxxx</b> 12 inchs minimum	<b>EC</b> With end cap	<b>xC</b> x=QTE	<b>P</b> Plug-in
			<b>28/12</b> 456 lm/feet 9W/feet *24v only	<b>35</b> 3500K				<b>DCxxxx</b> 12 inchs minimum			<b>CV</b> Dimmable
			<b>35/3</b> 45 lm/feet 1,5W/feet	<b>40</b> 4000K							<b>CV-BOX</b> Dimmable with box
			<b>35/6</b> 120 lm/feet 3W/feet	<b>60</b> 6000K							<b>CV67</b> IP67 psu
			<b>22/15</b> 425 lm/feet 9W/feet *24v only	<b>RE</b> RED							<b>120V</b> No dimmable 120v psu
			<b>50/3</b> 4,5W/feet	<b>GR</b> GREEN							<b>347V</b> No dimmable 347V PSU
			<b>DX/24</b> DIGITAL DMX *24V only	<b>BL</b> BLUE							<b>010</b> 0-10v PSU
				<b>AM</b> AMBER							
				<b>PK</b> PINK *28/6 only							
				<b>CB</b> CYAN *28/6 only							
				<b>OR</b> ORANGE *28/6 only							
				<b>UV</b> *28/6 only							
				<b>RGB</b> *50/3, 28/6 or 35/6 only							
				<b>RGBWW</b> *50/3 only							
				<b>RGBNW</b> *50/3 only							
				<b>RGBCW</b> *50/3 only							
				<b>RGBCCT</b> *50/3 only							

For a custom color, add at the end of the manufacturer code number COLOR RAL K7. Contact your dealer about the additional cost to a special color.

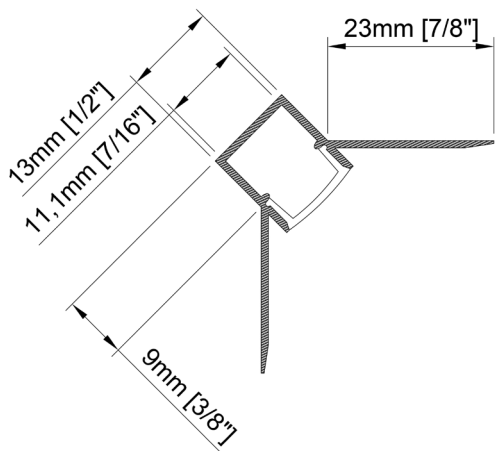
# TITANIUM

TECHNOLOGY

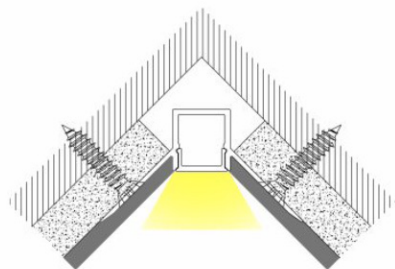
TT-26-3000-O



- Aluminum profile with opal acrylic.
- Designed to be concealed in plaster walls.
- Available in lengths 3000 mm (118<sup>1</sup>/<sub>8</sub> ").



Size	13mm x 14mm x 3000mm $\frac{3}{8}'' \times \frac{9}{16}'' \times 118\frac{1}{8}''$
Lenght	3000 mm 118 <sup>1</sup> / <sub>8</sub> ''
Internal width	11,1mm $\frac{7}{16}''$
Cover	PC diffused



## Accessories



TT-26-END

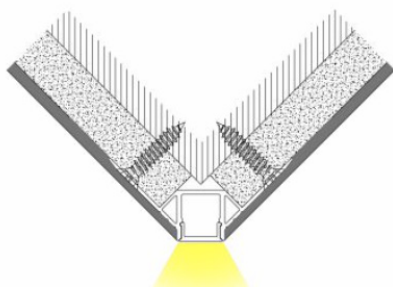
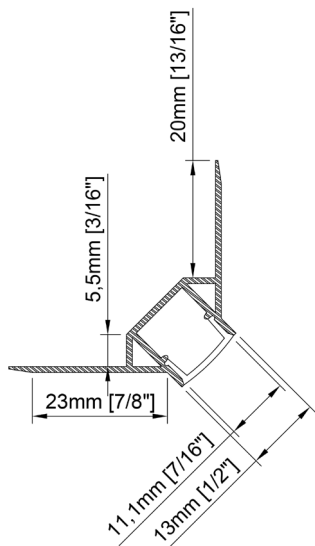
# TITANIUM

TECHNOLOGY

TT-27-3000-O



- Aluminum profile with opal acrylic.
- Designed to be concealed in plaster walls.
- Available in lengths 3000 mm (118<sup>1</sup>/<sub>8</sub> ").



Size 13mm x 14mm x 3000mm  
 $\frac{3}{8}$ " x  $\frac{9}{16}$ " x 118<sup>1</sup>/<sub>8</sub>"

Length 3000 mm  
118<sup>1</sup>/<sub>8</sub>"

Internal width 11,1mm  
 $\frac{7}{16}$ "

Cover PC diffused

## Accessories

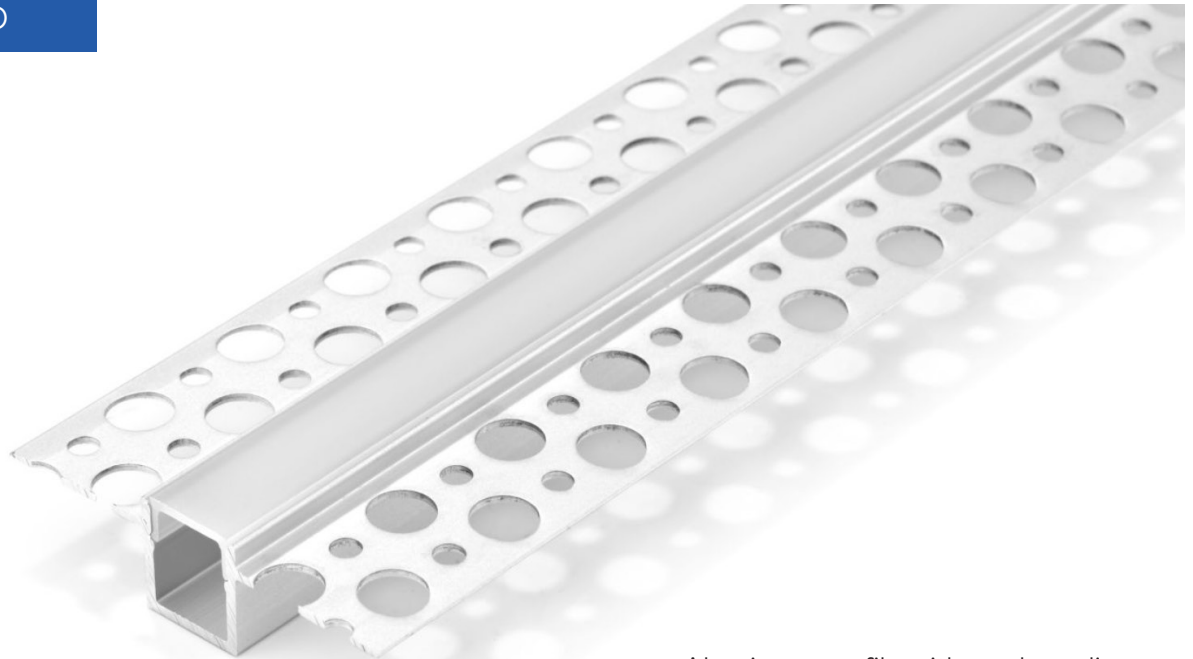


TT-27-END

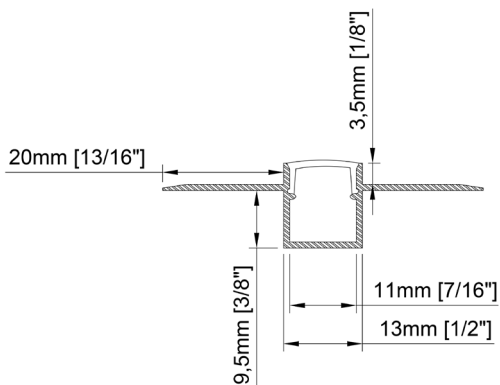
# TITANIUM

TECHNOLOGY

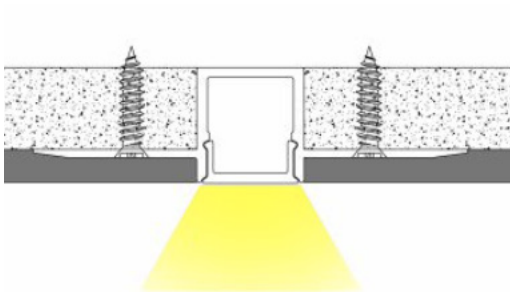
TT-28-3000-O



- Aluminum profile with opal acrylic.
- Designed to be concealed in plaster walls.
- Available in lengths 3000 mm (118<sup>1</sup>/<sub>8</sub> ").



Size	13mm x 14mm x 3000mm $\frac{3}{8}'' \times \frac{9}{16}'' \times 118\frac{1}{8}''$
Length	3000 mm 118 <sup>1</sup> / <sub>8</sub> ''
Internal width	11,1mm $\frac{7}{16}''$
Cover	PC diffused



## Accessories

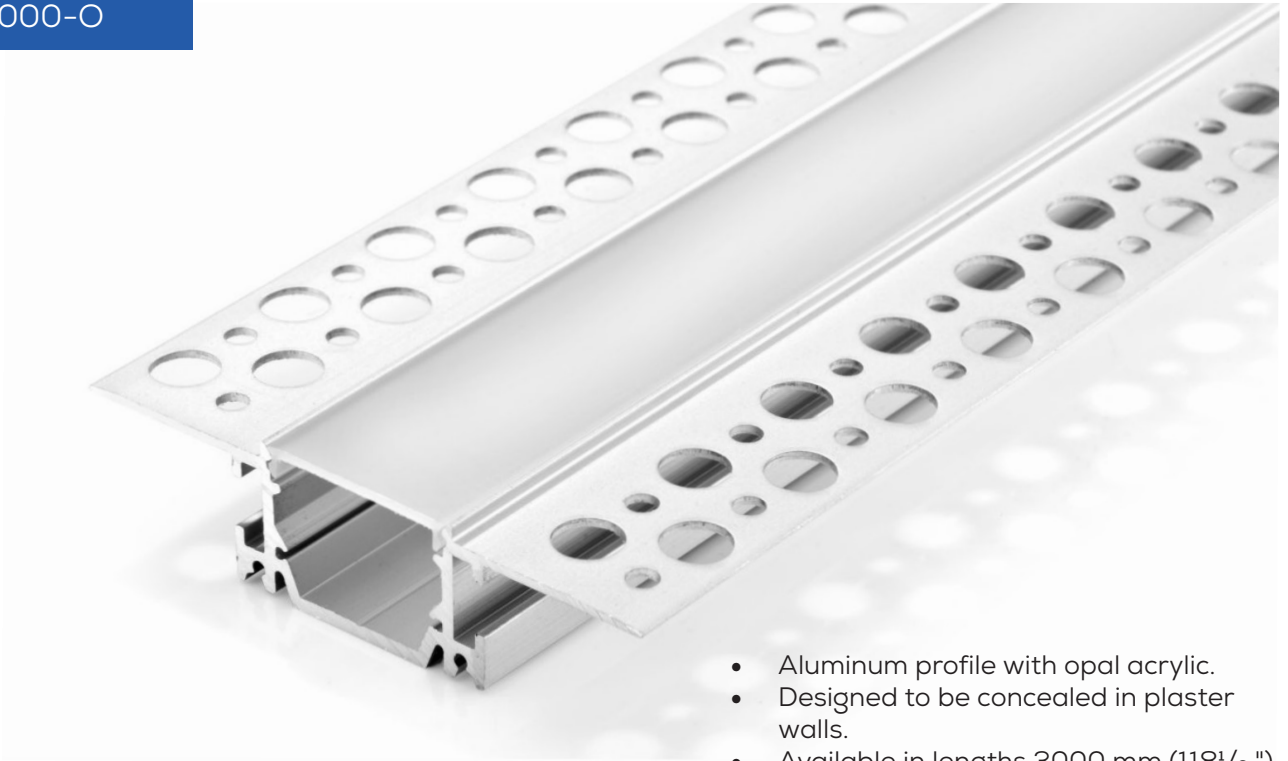


TT-28-END

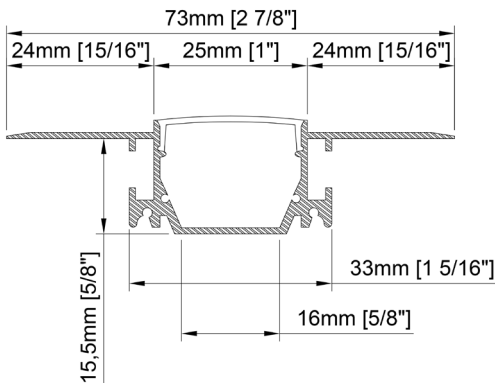
# TITANIUM

TECHNOLOGY

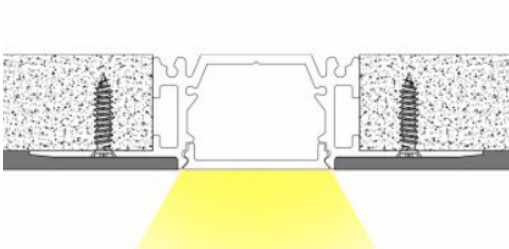
TT-29-3000-O



- Aluminum profile with opal acrylic.
- Designed to be concealed in plaster walls.
- Available in lengths 3000 mm (118<sup>1</sup>/<sub>8</sub> ").



Size	25mm x 18,5mm x 3000mm 3/8" x 3/4" x 118 <sup>1</sup> / <sub>8</sub> "
Length	3000 mm 118 <sup>1</sup> / <sub>8</sub> "
Internal width	16mm 5/8"
Cover	PC diffused



## Accessories



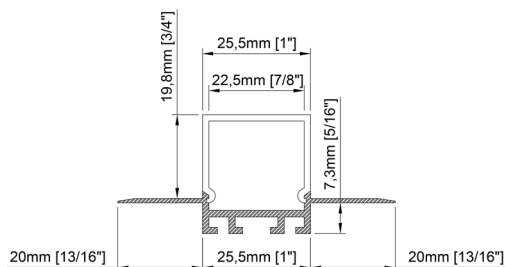
TT-29-END



TT-33-2000-O



- Aluminum profile with opal acrylic.
- Designed to be concealed in plaster walls.
- Available in lengths 2000 mm (78<sup>3</sup>/<sub>4</sub> ").



Size	25,5mm x 28mm x 2000mm 1" x 1 <sup>1</sup> / <sub>8</sub> " x 78 <sup>3</sup> / <sub>4</sub> "
Length	2000mm 78 <sup>3</sup> / <sub>4</sub> "
Internal width	22,5mm 7 <sup>7</sup> / <sub>8</sub> "
Cover	PC diffused

### Accessories



TT-33-END

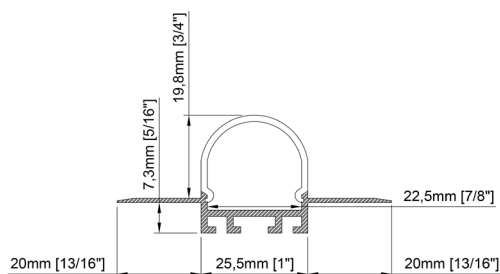
# TITANIUM

TECHNOLOGY

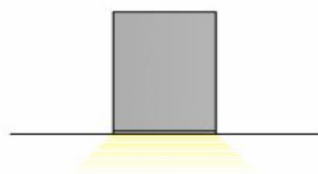
TT-34-2000-O



- Aluminum profile with opal acrylic.
- Designed to be concealed in plaster walls.
- Available in lengths 2000 mm (78<sup>3</sup>/<sub>4</sub> ").



Size	25,5mm x 28mm x 2000mm 1" x 1 <sup>1</sup> / <sub>8</sub> " x 78 <sup>3</sup> / <sub>4</sub> "
Lenght	2000mm 78 <sup>3</sup> / <sub>4</sub> "
Internal width	22,5mm 7/8"
Cover	PC diffused



## Accessories



TT-34-END

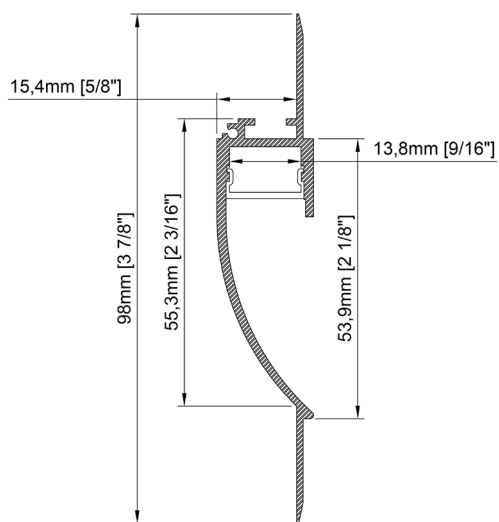
# TITANIUM

TECHNOLOGY

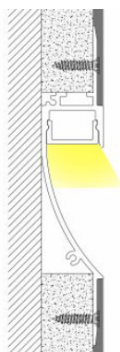
TT-36-2000-O



- Aluminum profile with opal acrylic.
- Designed to be concealed in plaster walls.
- Available in lengths 2000 mm (78<sup>3</sup>/<sub>4</sub> ").



Size	98mm x 15mm x 2000mm 3 <sup>7</sup> / <sub>8</sub> " x 5 <sup>5</sup> / <sub>8</sub> " x 78 <sup>3</sup> / <sub>4</sub> "
Length	2000mm 78 <sup>3</sup> / <sub>4</sub> "
Internal width	13,8mm 9 <sup>9</sup> / <sub>16</sub> "
Cover	PC diffused
Finish	White



## Accessories



TT-36-END

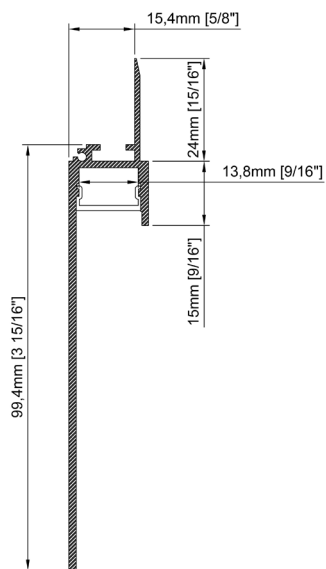
# TITANIUM

TECHNOLOGY

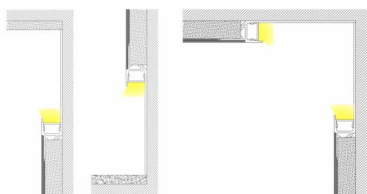
TT-41-2000-O



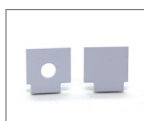
- Aluminum profile with opal acrylic.
- Designed to cover and dissipate heat the LED strips.
- Available in lengths 3000 mm (78<sup>3</sup>/<sub>4</sub>").



Size	99,4mm x 15,4mm x 2000mm 3 <sup>15</sup> / <sub>16</sub> " x 5 <sup>5</sup> / <sub>8</sub> " x 78 <sup>3</sup> / <sub>4</sub> "
Lenght	2000mm 78 <sup>3</sup> / <sub>4</sub> "
Internal width	13,8mm 9 <sup>9</sup> / <sub>16</sub> "
Cover	PC diffused
Finish	White



## Accessories

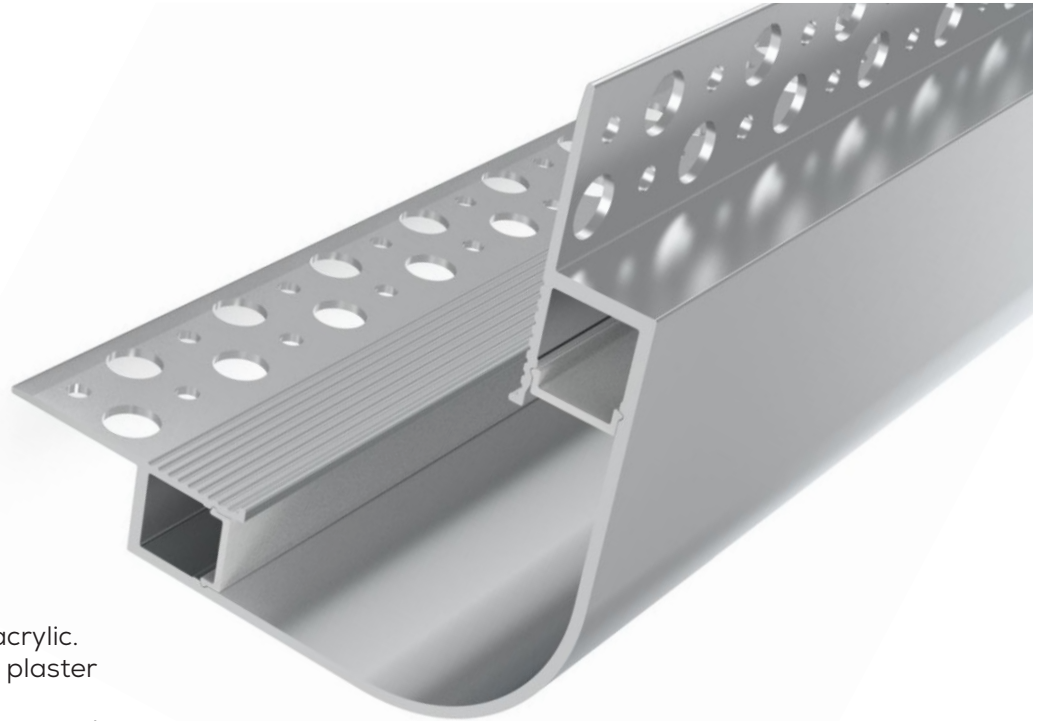


TT-41-END

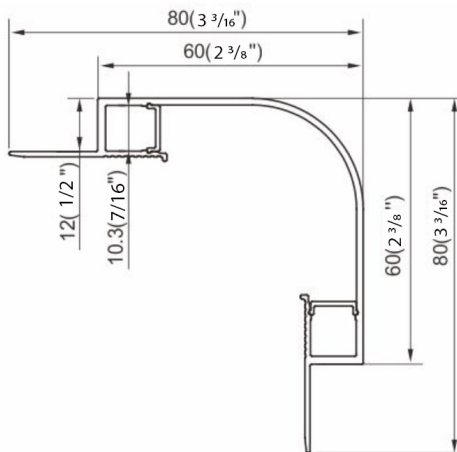
# TITANIUM

TECHNOLOGY

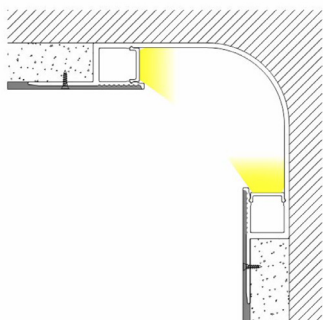
TT-72-2000-0



- Aluminum profile with opal acrylic.
- Designed to be concealed in plaster walls.
- Available in lengths 2000 mm ( $78\frac{3}{4}$  ").



Size	80mm x 80mm x 2000mm $3\frac{3}{16}$ " x $3\frac{3}{16}$ " x $78\frac{3}{4}$ "
Length	2000mm $78\frac{3}{4}$ "
Internal width	10,3mm X 2 $\frac{7}{16}$ "
Cover	PC diffused
Finish	White



## Accessories



TT-72-END

# TRIM-LESS TILES



Credit photo: Godomo

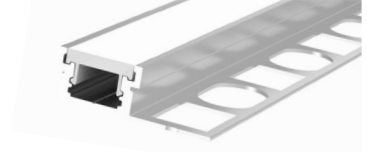
# TITANIUM

## TECHNOLOGY



Power (W/m)	Luminous flux (lm/foot)	CRI	CCT (Kelvin)	Length (inch)
5,9 ~ 34	38 ~ 600	90	2700 ~ 6000	1 ~ 118

TT-11-2000 Page 96



Power (W/m)	Luminous flux (lm/foot)	CRI	CCT (Kelvin)	Length (inch)
5,9 ~ 34	38 ~ 600	90	2700 ~ 6000	1 ~ 118

TT-43-2000 Page 97



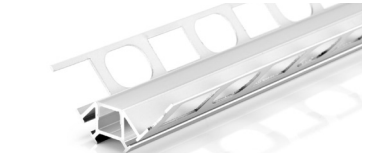
Power (W/m)	Luminous flux (lm/foot)	CRI	CCT (Kelvin)	Length (inch)
5,9 ~ 34	38 ~ 600	90	2700 ~ 6000	1 ~ 118

TT-44-2000 Page 98



Power (W/m)	Luminous flux (lm/foot)	CRI	CCT (Kelvin)	Length (inch)
5,9 ~ 34	38 ~ 600	90	2700 ~ 6000	1 ~ 118

TT-45-2000 Page 99



### PRODUCT BUILDER CODE

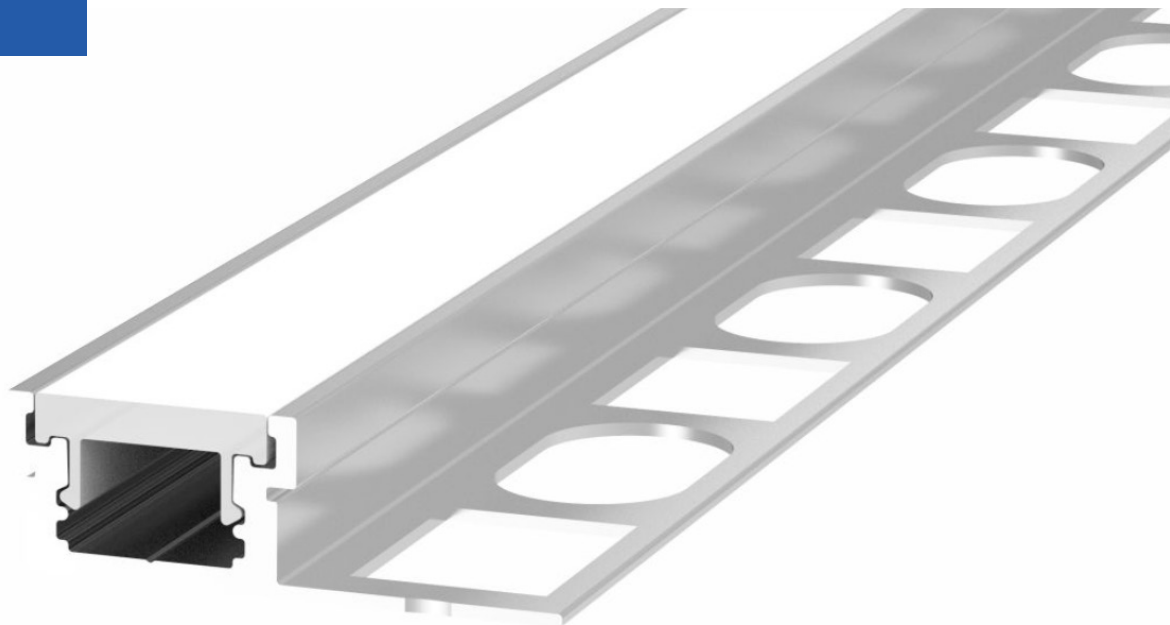
TT	PROFILE	LENGTH (inch)	LUMEN PACKAGE	COLOUR CCT	IP	VOLTAGE	LEAD IN (inch)	LEAD OUT (inch)	END CAP	CLIP	PSU
TT											
			28/6 221 lm/feet 5W/feet	27 2700K	20	12	Hxxxx 12 inchs minimum	empty No lead out	NE No end cap	NC No Clip	n/a No psu
			28/6 H 527 lm/feet 6,25W/feet *24v only	30 3000K	65	24	DCxxxx 12 inchs minimum	Hxxxx 12 inchs minimum	EC With end cap	xC x=QTE	P Plug-in
			28/12 456 lm/feet 9W/feet *24v only	35 3500K			DCxxxx 12 inchs minimum				CV Dimmable
			35/3 45 lm/feet 1,5W/feet	40 4000K							CV-BOX Dimmable with box
			35/6 120 lm/feet 3W/feet	60 6000K							CV67 IP67 psu
			22/15 425 lm/feet 9W/feet *24v only	RE RED							120V No dimmable 120v psu
			50/3 4,5W/feet	GR GREEN							347V No dimmable 347V PSU
			DX/24 DIGITAL DMX *24V only	BL BLUE							010 0-10v PSU
				AM AMBER							
				PK PINK *28/6 only							
				CB CYAN *28/6 only							
				OR ORANGE *28/6 only							
				UV *28/6 only							
				RGB *50/3, 28/6 or 35/6 only							
				RGBWW *50/3 only							
				RGBNW *50/3 only							
				RGBCW *50/3 only							
				RGBCCT *50/3 only							

For a custom color, add at the end of the manufacturer code number COLOR RAL K7. Contact your dealer about the additional cost to a special color.

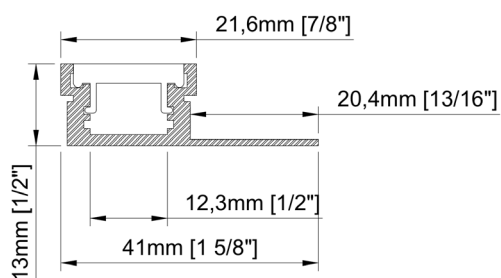
# TITANIUM

TECHNOLOGY

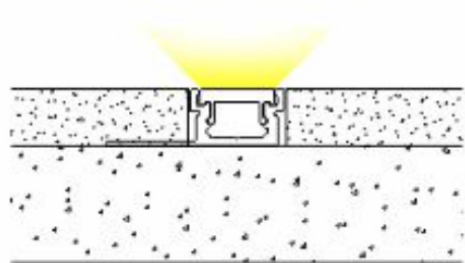
TT-11-2000-O



- Aluminum profile with opal acrylic.
- Designed to cover and dissipate heat the LED strips.
- Available in lengths 2000 mm (78<sup>3</sup>/<sub>4</sub>").



Size	41mm x 13mm x 2000mm 1 <sup>5</sup> / <sub>8</sub> " x 1/2" x 78 <sup>3</sup> / <sub>4</sub> "
Length	2000mm 78 <sup>3</sup> / <sub>4</sub> "
Internal width	12,3mm 1/2"
Cover	PC diffused



## Accessories



TT-11-END



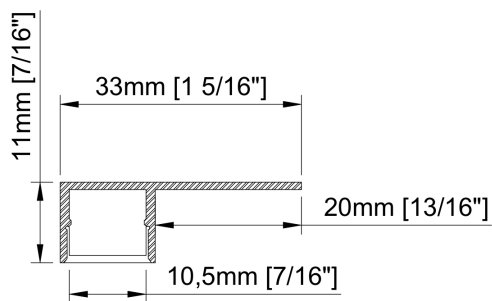
# TITANIUM

TECHNOLOGY

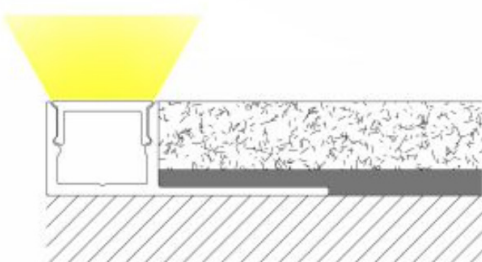
TT-43-2000-O



- Aluminum profile with opal acrylic.
- Designed to conceal between ceramic wall tiles.
- Available in lengths 2000 mm (78<sup>3</sup>/<sub>4</sub> ").



Size	33mm x 11mm x 2000mm 1 <sup>5</sup> / <sub>16</sub> " x 7/16" x 78 <sup>3</sup> / <sub>4</sub> "
Length	2000mm 78 <sup>3</sup> / <sub>4</sub> "
Internal width	10,5mm 7/16"
Cover	PC diffused



## Accessories



TT-43-END

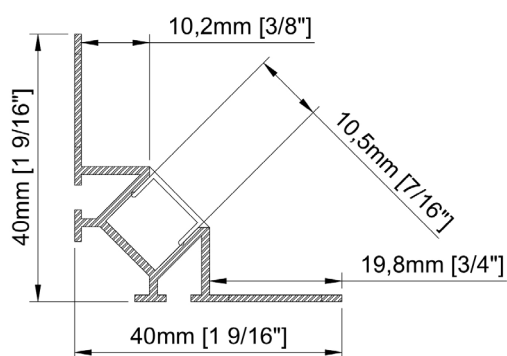
# TITANIUM

TECHNOLOGY

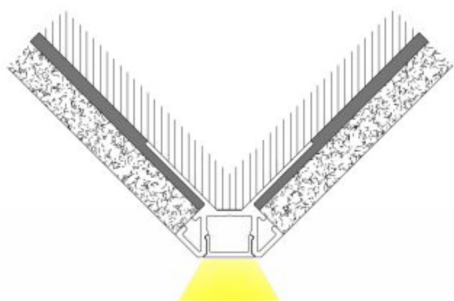
TT-44-2000-O



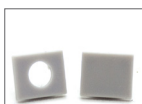
- Aluminum profile with opal acrylic.
- Designed to conceal between ceramic wall tiles.
- Available in lengths 2000 mm (78<sup>3</sup>/<sub>4</sub> ").



Size	40mm x 40mm x 2000mm 1 <sup>9</sup> / <sub>16</sub> " x 1 <sup>9</sup> / <sub>16</sub> " x 78 <sup>3</sup> / <sub>4</sub> "
Length	2000mm 78 <sup>3</sup> / <sub>4</sub> "
Internal width	10,5mm 7/ <sub>16</sub> "
Cover	PC diffused



## Accessories

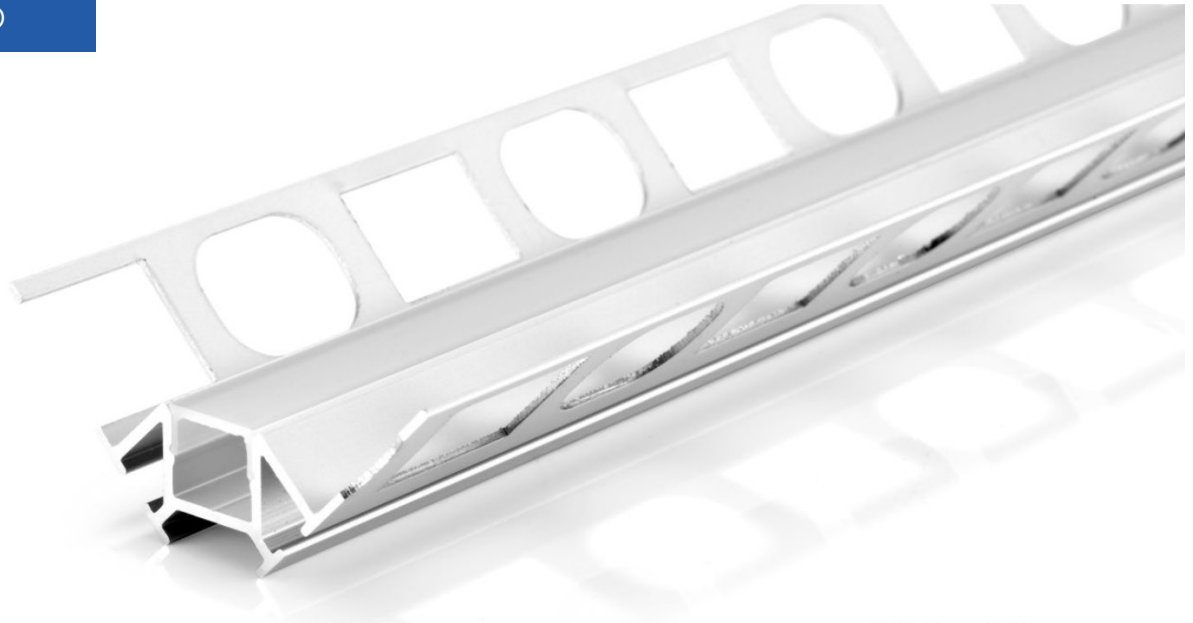


TT-44-END

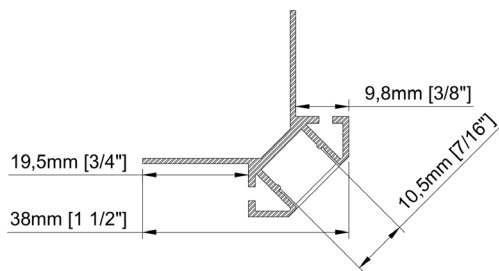
# TITANIUM

TECHNOLOGY

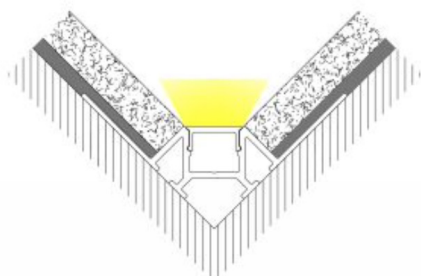
TT-45-2000-O



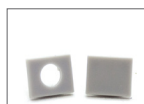
- Aluminum profile with opal acrylic.
- Designed to conceal between ceramic wall tiles.
- Available in lengths 2000 mm (78<sup>3</sup>/<sub>4</sub> ").



Size	38mm x 38mm x 2000mm 1 <sup>1</sup> / <sub>2</sub> " x 1 <sup>1</sup> / <sub>2</sub> " x 78 <sup>3</sup> / <sub>4</sub> "
Length	2000mm 78 <sup>3</sup> / <sub>4</sub> "
Internal width	10,5mm 7/ <sub>16</sub> "
Cover	PC diffused



## Accessories



TT-45-END

# BOTTOM WALL



Credit photo: Cuisines Simard



TT-30-2000 Page 102



Power (W/m)	Luminous flux (lm/feet)	CRI	CCT (Kelvin)	Length (inch)
5.9 ~ 34	38 ~ 600	90	2700 ~ 6000	1 ~ 118



TT-51-2000 Page 103



Power (W/m)	Luminous flux (lm/feet)	CRI	CCT (Kelvin)	Length (inch)
5.9 ~ 34	38 ~ 600	90	2700 ~ 6000	1 ~ 118

## PRODUCT BUILDER CODE

TT	PROFILE	LENGTH (inch)	LUMEN PACKAGE	COLOUR CCT	IP	VOLTAGE	LEAD IN (inch)	LEAD OUT (inch)	END CAP	CLIP	PSU
TT											
			<b>28/6</b> 221 lm/feet 5W/feet  <b>28/6 H</b> 527 lm/feet 6.25W/feet <i>*24v only</i>  <b>28/12</b> 456 lm/feet 9W/feet <i>*24v only</i>  <b>35/3</b> 45 lm/feet 1.5W/feet  <b>35/6</b> 120 lm/feet 3W/feet  <b>22/15</b> 425 lm/feet 9W/feet <i>*24v only</i>  <b>50/3</b> 4.5W/feet  <b>DX/24</b> DIGITAL DMX <i>*24v only</i>	<b>27</b> 2700K  <b>30</b> 3000K  <b>35</b> 3500K  <b>40</b> 4000K  <b>60</b> 6000K  <b>RE</b> RED  <b>GR</b> GREEN  <b>BL</b> BLUE  <b>AM</b> AMBER  <b>PK</b> PINK <i>*28/6 only</i>  <b>CB</b> CYAN <i>*28/6 only</i>  <b>OR</b> ORANGE <i>*28/6 only</i>  <b>UV</b> <i>*28/6 only</i>  <b>RGB</b> <i>*50/3, 28/6 or 35/6 only</i>  <b>RGBWW</b> <i>*50/3 only</i>  <b>RGBNW</b> <i>*50/3 only</i>  <b>RGBCW</b> <i>*50/3 only</i>  <b>RGBCCT</b> <i>*50/3 only</i>	<b>20</b>                       <b>65</b>                       	<b>12</b>                      <b>24</b>                     	<b>Hxxxx</b> 12 inchs minimum  <b>DCxxxx</b> 12 inchs minimum  <b>DCxxxx</b> 12 inchs minimum	<b>empty</b> No lead out  <b>Hxxxx</b> 12 inchs minimum  <b>DCxxxx</b> 12 inchs minimum	<b>NE</b> No end cap  <b>EC</b> With end cap	<b>NC</b> No Clip  <b>xC</b> x=GTE	<b>n/a</b> No psu  <b>P</b> Plug-in  <b>CV</b> Dimmable  <b>CV-BOX</b> Dimmable with box  <b>CV67</b> IP67 psu  <b>120V</b> No dimmable 120v psu  <b>347V</b> No dimmable 347V PSU  <b>010</b> 0-10v PSU

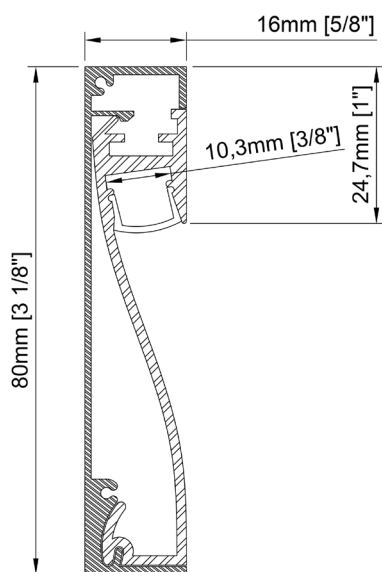
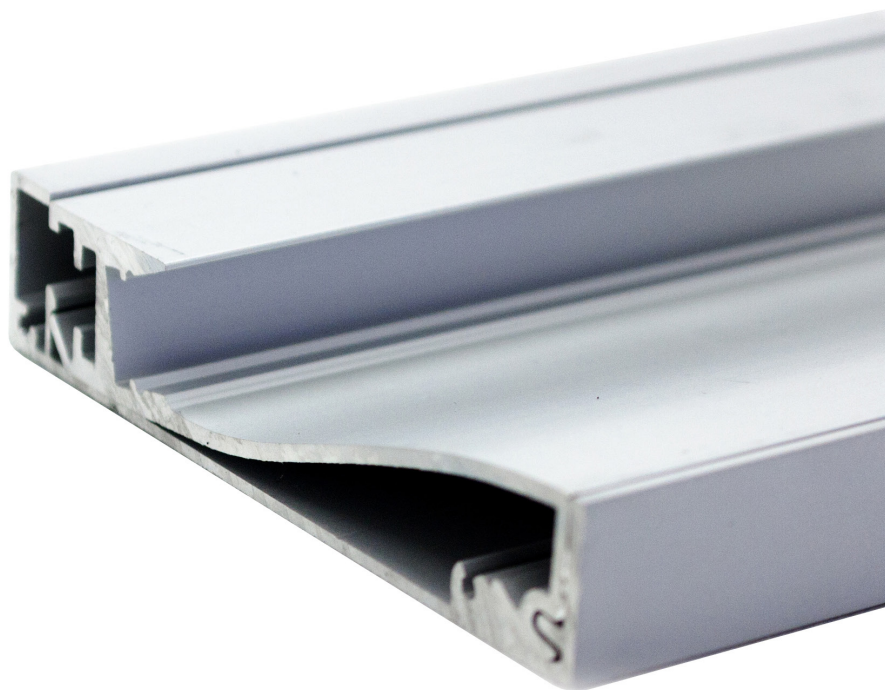
For a custom color, add at the end of the manufacturer code number COLOR RAL K7. Contact your dealer about the additional cost to a special color.

# TITANIUM

TECHNOLOGY

TT-30-2000-O

- Aluminum profile with opal acrylic.
- Designed to cover and dissipate heat the LED strips.
- Available in lengths 2000 mm (78<sup>3</sup>/<sub>4</sub> ").



Size	80mm x 16mm x 2000mm 3 <sup>1</sup> / <sub>8</sub> " x 5 <sup>5</sup> / <sub>8</sub> " x 78 <sup>3</sup> / <sub>4</sub> "
Lenght	2000mm 78 <sup>3</sup> / <sub>4</sub> "
Internal width	10,3mm 3 <sup>3</sup> / <sub>8</sub> "
Cover	PC diffused

## Accessories



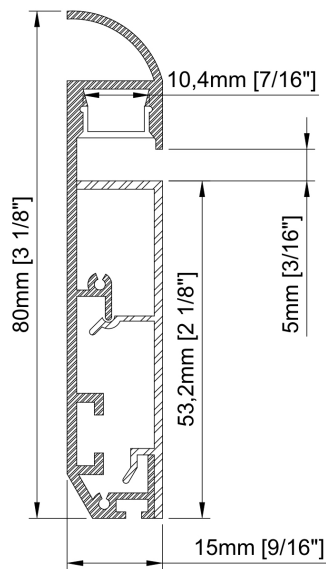
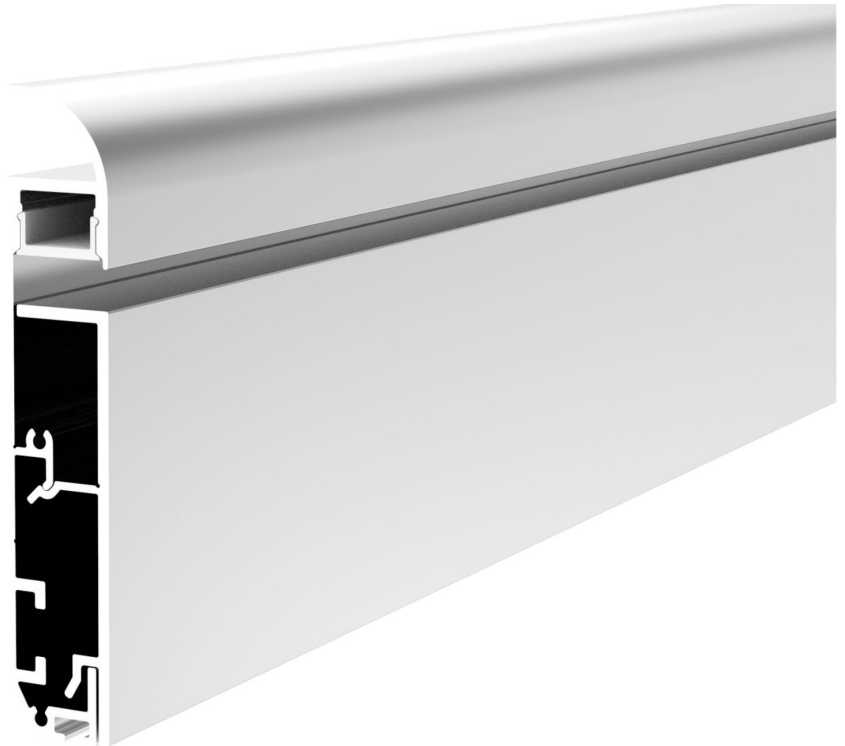
TT-30-END

# TITANIUM

TECHNOLOGY

TT-51-2000-O

- Aluminum profile with opal acrylic.
- Designed to cover and dissipate heat the LED strips.
- Available in lengths 2000 mm (78<sup>3</sup>/<sub>4</sub>").

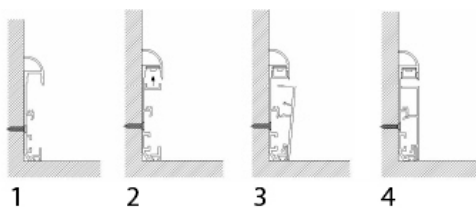


Size	80mm x 15mm x 2000mm 3 <sup>1</sup> / <sub>8</sub> " x 9 <sup>9</sup> / <sub>16</sub> " x 78 <sup>3</sup> / <sub>4</sub> "
------	---

Lenght	2000mm 78 <sup>3</sup> / <sub>4</sub> "
--------	--

Internal width	10,4mm 7 <sup>7</sup> / <sub>16</sub> "
----------------	--

Cover	PC diffused
-------	-------------



## Accessories



TT-51-END



TT-51-EXT

# CLOSET



Credit photo: Godomo



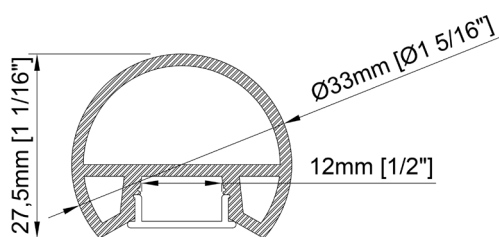
# TITANIUM

TECHNOLOGY

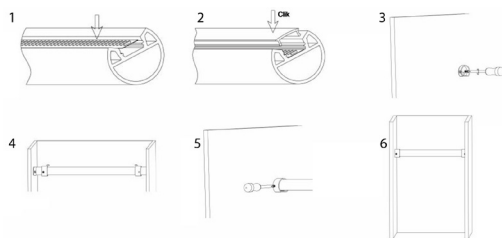
TT-35-2000-O



- Aluminum profile with opal acrylic.
- Designed for wardrobes.
- Available in lengths 2000 mm (78<sup>3</sup>/<sub>4</sub> ").



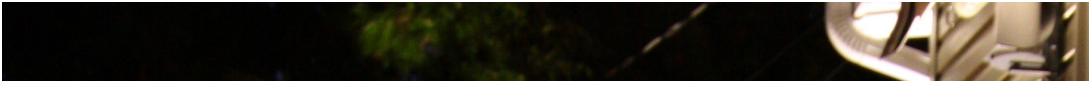
Size	27,5mm x 33mm x 2000mm 1 <sup>1</sup> / <sub>16</sub> " x 1 <sup>5</sup> / <sub>16</sub> " x 78 <sup>3</sup> / <sub>4</sub> "
Length	2000mm 78 <sup>3</sup> / <sub>4</sub> "
Internal width	12mm 1/2"
Cover	PC diffused



## Accessories



TT-35-END



# STAIRS

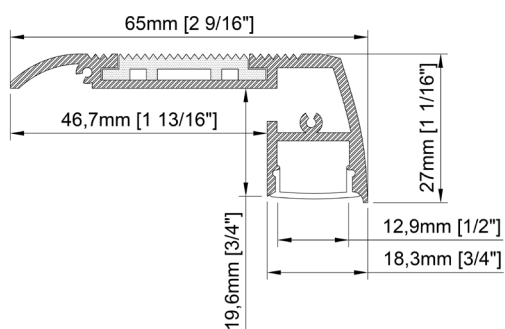
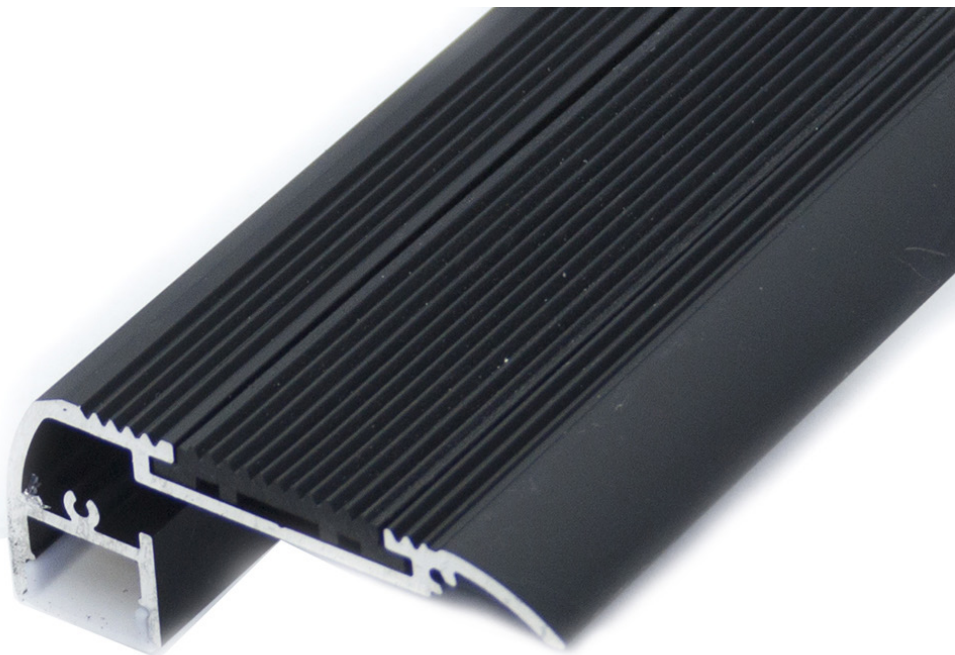


# TITANIUM

TECHNOLOGY

TT-42-2000-O

- Aluminum profile with opal acrylic.
- Designed for stairs with non-slip rubber band.
- Available in lengths 2000 mm (78<sup>3</sup>/<sub>4</sub> ").



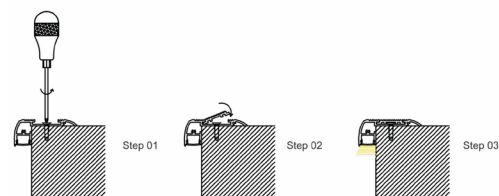
Size 65mm x 27mm x 2000mm  
2<sup>9</sup>/<sub>16</sub>" x 1<sup>1</sup>/<sub>16</sub>" x 78<sup>3</sup>/<sub>4</sub>"

Length 2000mm  
78<sup>3</sup>/<sub>4</sub>"

Internal width 12,9mm  
1/2"

Cover PC diffused

Finish Black



## Accessories



TT-42-END

# TRIM-LESS CONCRETE

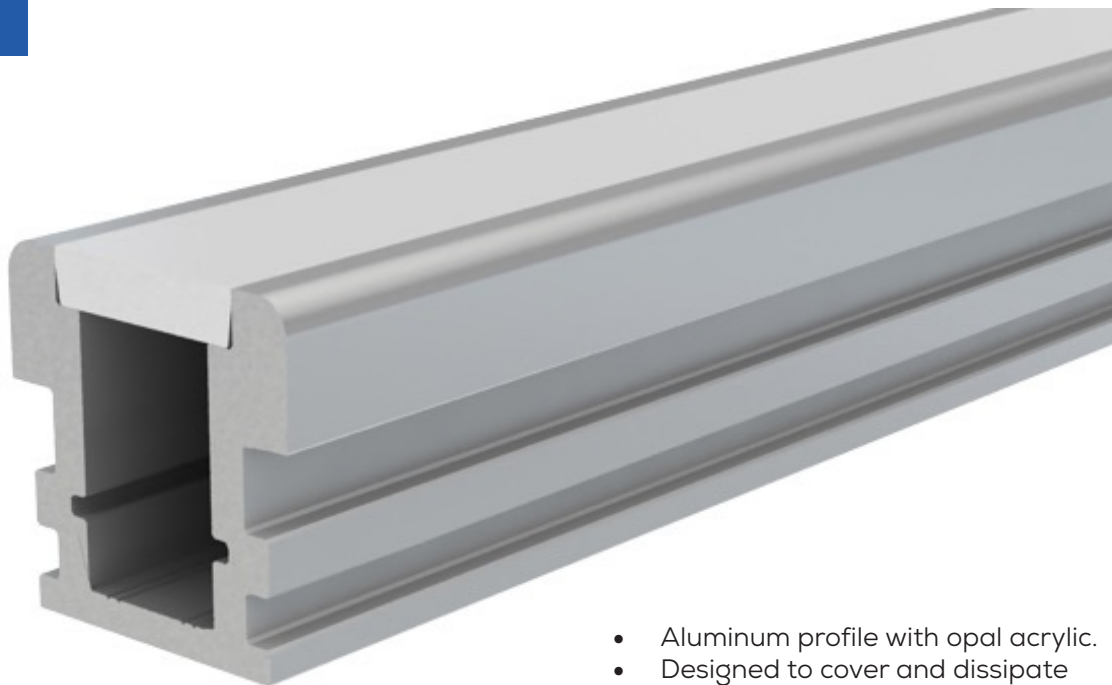


Credit photo: Maison Profab

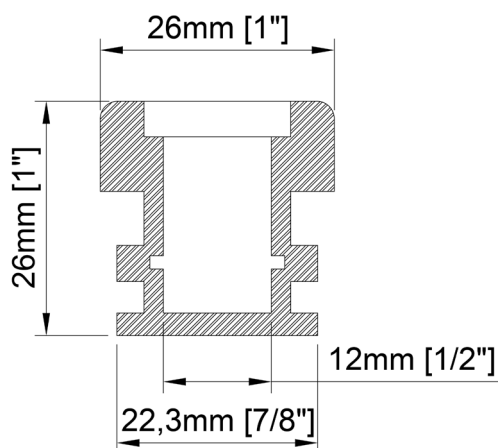
# TITANIUM

TECHNOLOGY

TT-12-3000-O



- Aluminum profile with opal acrylic.
- Designed to cover and dissipate heat the LED strips.
- Available in lengths 3000 mm (118").



Size	26mm x 26mm x 3000mm 1" x 1" x 118 <sup>1</sup> / <sub>8</sub> "
Length	3000mm 118 <sup>1</sup> / <sub>8</sub> "
Internal width	12mm 1/2"
Cover	PC diffused

## Accessories



TT-12-END

# SUSPENDED CEILING



Credit photo: Godomo

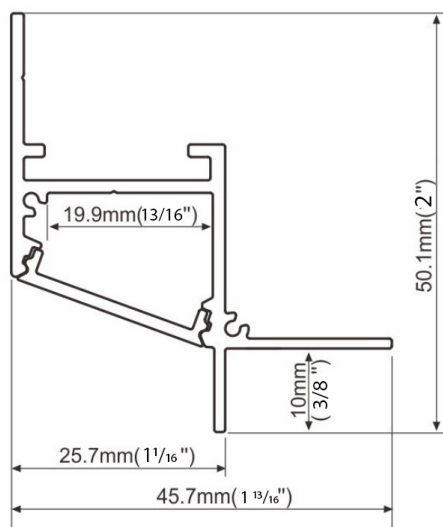
# TITANIUM

TECHNOLOGY

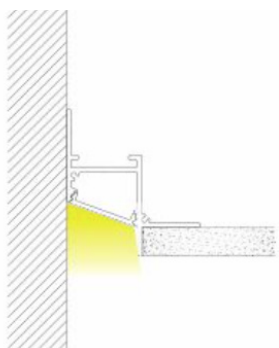
TT-67-2000-O



- Aluminum profile with opal acrylic.
- Designed to cover and dissipate heat the LED strips.
- Available in lengths 2000 mm (78<sup>3</sup>/<sub>4</sub> ").



Size	45,7mm x 50,1mm x 2000mm 1 <sup>13</sup> / <sub>16</sub> " x 2" x 78 <sup>3</sup> / <sub>4</sub> "
Length	2000mm 78 <sup>3</sup> / <sub>4</sub> "
Internal width	19,9mm 1 <sup>3</sup> / <sub>16</sub> "
Cover	PC diffused



## Accessories



TT-67-END

# EDGE



Credit photo: Groupe Dallaire



# TITANIUM

## TECHNOLOGY



### TT-70-2000 Page 114

Power (W/m)	Luminous flux (lm/feet)	CRI	CCT (Kelvin)	Length (inch)
5.9 ~ 34	38 ~ 600	90	2700 ~ 6000	1 ~ 118



### TT-71-2000 Page 115

Power (W/m)	Luminous flux (lm/feet)	CRI	CCT (Kelvin)	Length (inch)
5.9 ~ 34	38 ~ 600	90	2700 ~ 6000	1 ~ 118



## PRODUCT BUILDER CODE

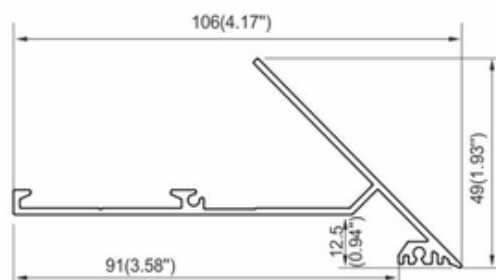
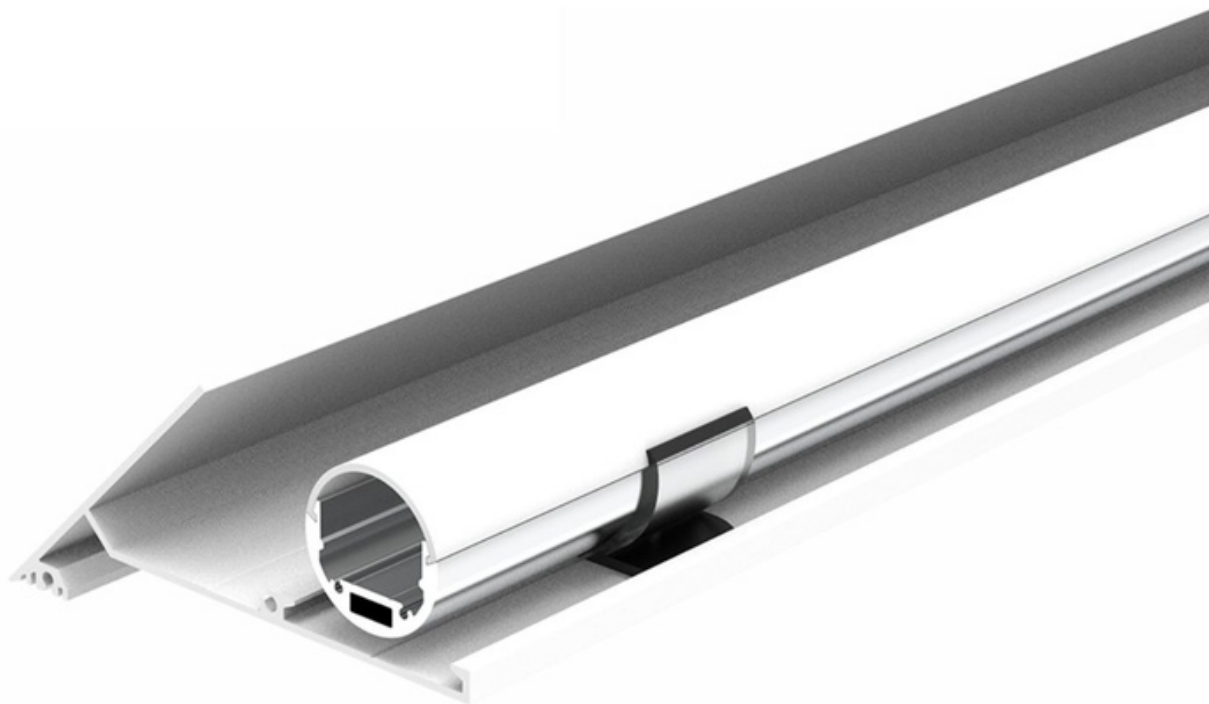
TT	PROFILE	LENGTH (inch)	LUMEN PACKAGE	COLOUR CCT	IP	VOLTAGE	LEAD IN (inch)	LEAD OUT (inch)	END CAP	CLIP	PSU
TT											
			<b>28/6</b> 221 lm/feet 5W/feet	<b>27</b> 2700K	<b>20</b>	<b>12</b>	<b>Hxxxx</b> 12 inchs minimum	<b>empty</b> No lead out	<b>NE</b> No end cap	<b>NC</b> No Clip	<b>n/a</b> No psu
			<b>28/6 H</b> 527 lm/feet 6,25W/feet *24v only	<b>30</b> 3000K	<b>65</b>	<b>24</b>	<b>DCxxxx</b> 12 inchs minimum	<b>Hxxxx</b> 12 inchs minimum	<b>EC</b> With end cap	<b>xC</b> x=QTE	<b>P</b> Plug-in
			<b>28/12</b> 456 lm/feet 9W/feet *24v only	<b>35</b> 3500K				<b>DCxxxx</b> 12 inchs minimum			<b>CV</b> Dimmable
			<b>35/3</b> 45 lm/feet 1.5W/feet	<b>40</b> 4000K							<b>CV-BOX</b> Dimmable with box
			<b>35/6</b> 120 lm/feet 3W/feet	<b>60</b> 6000K							<b>CV67</b> IP67 psu
			<b>22/15</b> 425 lm/feet 9W/feet *24v only	<b>RE</b> RED							<b>120V</b> No dimmable 120v psu
			<b>50/3</b> 4.5W/feet	<b>GR</b> GREEN							<b>347V</b> No dimmable 347V PSU
			<b>DX/24</b> DIGITAL DMX *24V only	<b>BL</b> BLUE							<b>010</b> 0-10v PSU
				<b>AM</b> AMBER							
				<b>PK</b> PINK *28/6 only							
				<b>CB</b> CYAN *28/6 only							
				<b>OR</b> ORANGE *28/6 only							
				<b>UV</b> *28/6 only							
				<b>RGB</b> *50/3, 28/6 or 35/6 only							
				<b>RGBWW</b> *50/3 only							
				<b>RGBNW</b> *50/3 only							
				<b>RGBCW</b> *50/3 only							
				<b>RGBCCT</b> *50/3 only							

For a custom color, add at the end of the manufacturer code number COLOR RAL K7. Contact your dealer about the additional cost to a special color.

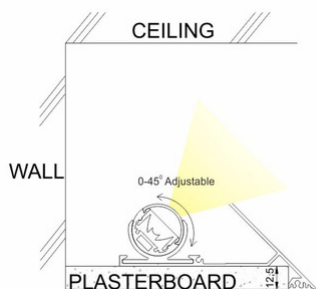
# TITANIUM

TECHNOLOGY

TT-70-2000-O



Size	2000 mm x 91 mm x 49 mm 78 <sup>3</sup> / <sub>4</sub> " x 3 <sup>1</sup> / <sub>2</sub> " x 1 <sup>7</sup> / <sub>8</sub> "
Length	2000 mm 78 <sup>3</sup> / <sub>4</sub> "
Internal width	13 mm 1/2"
Cover	PC diffused



### Accessories



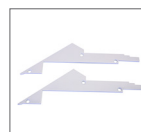
TT-70-CLIP



TT-70-EXT



TT-70-L

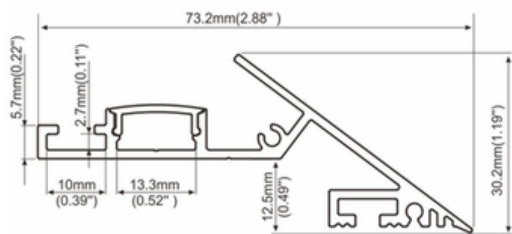


TT-70-END

# TITANIUM

TECHNOLOGY

TT-71-2000-O



Size 73,2mm x 30,2mm x 2000mm  
2<sup>7</sup>/<sub>8</sub>" x 1<sup>3</sup>/<sub>16</sub>" x 78<sup>3</sup>/<sub>4</sub>"

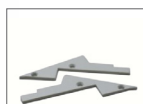
Length 2000mm  
78<sup>3</sup>/<sub>4</sub>"

Internal width 13,3mm  
9/<sub>16</sub>"

Cover Semi-clear PMMA

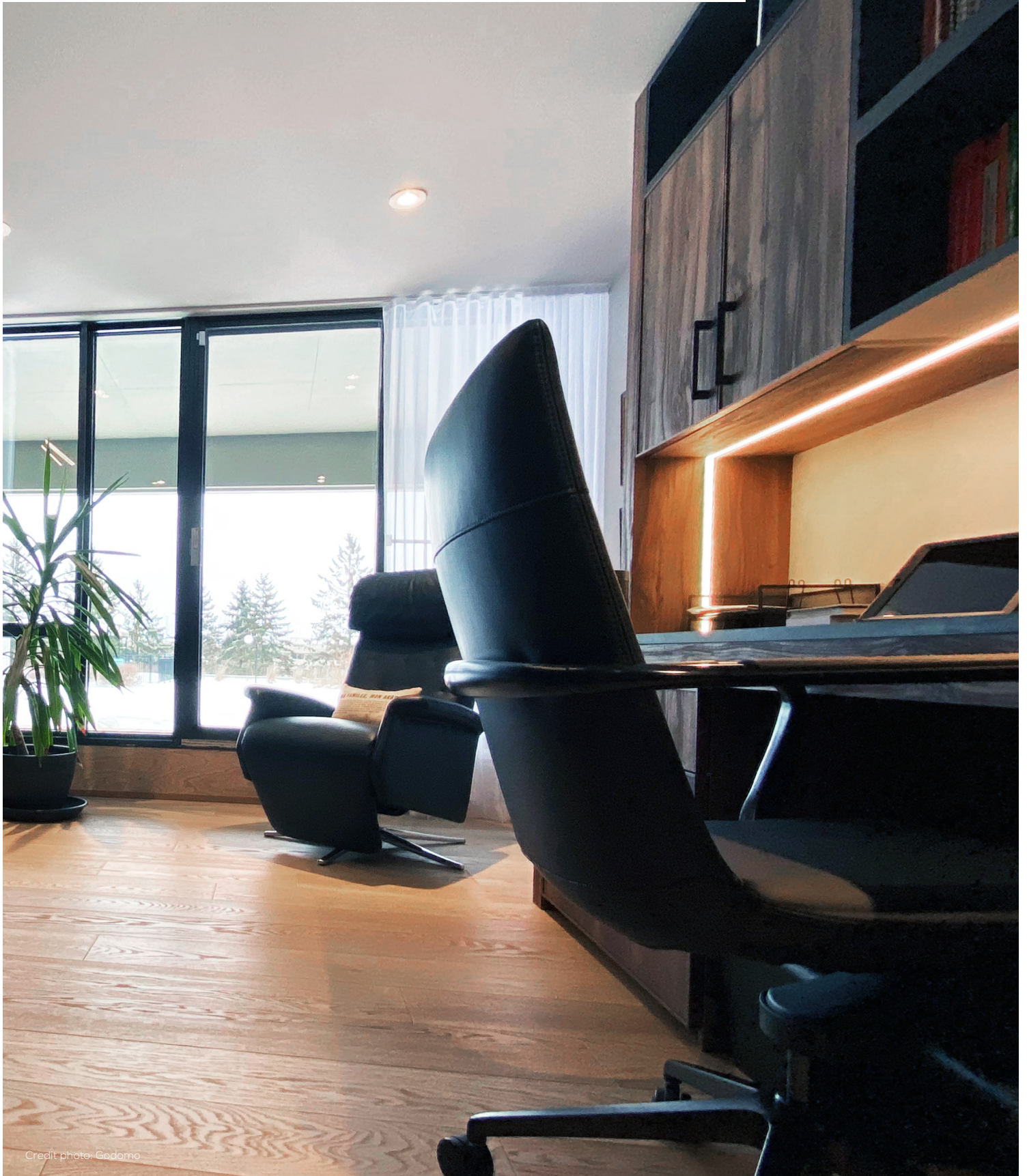


## Accessories



TT-71-END

# FLEX



Credit photo: Godomo



### TT-FLEX-01 Page 118

Power (W/m)	Luminous flux (lm/feet)	CRI	CCT (Kelvin)	Length (inch)
5.9 ~ 34	38 ~ 600	90	2700 ~ 6000	1 ~ 118



### TT-FLEX-02 Page 119

Power (W/m)	Luminous flux (lm/feet)	CRI	CCT (Kelvin)	Length (inch)
5.9 ~ 34	38 ~ 600	90	2700 ~ 6000	1 ~ 118



## PRODUCT BUILDER CODE

TT	-	PROFILE	-	LENGTH (inch)	-	LUMEN PACKAGE	-	COLOUR CCT	-	IP	-	VOLTAGE	-	LEAD IN (inch)	-	LEAD OUT (inch)	-	END CAP	-	CLIP	-	PSU
TT	-		-		-		-		-		-		-		-		-		-		-	

For a custom color, add at the end of the manufacturer code number COLOR RAL K7. Contact your dealer about the additional cost to a special color.

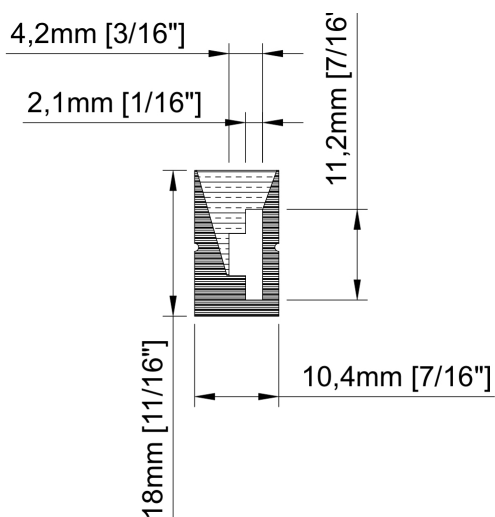
# TITANIUM

TECHNOLOGY

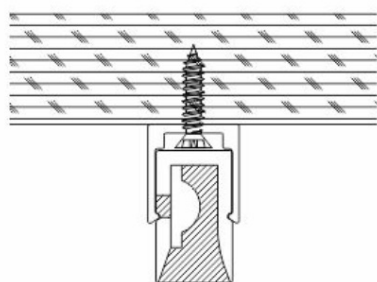
TT-FLEX-01



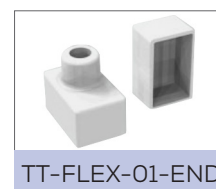
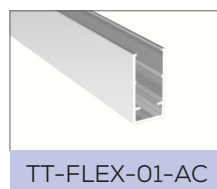
- Aluminum profile with opal acrylic.
- Designed to cover and dissipate heat the LED strips.
- Available in lengths 5000 mm (197").



Size	10,4mm x 18mm x 5000mm 7/16" x 11/16" x 5000"
Lenght	5000mm 197"
Internal width	11,2mm 7/16"
Cover	White silicone



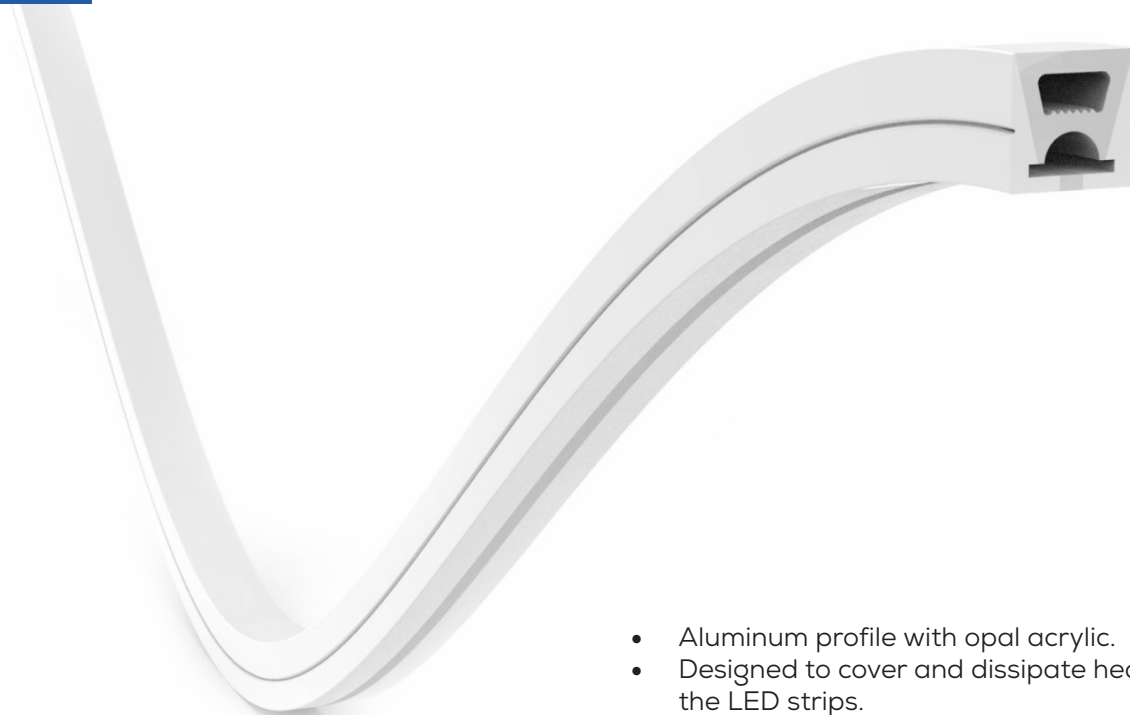
## Accessories



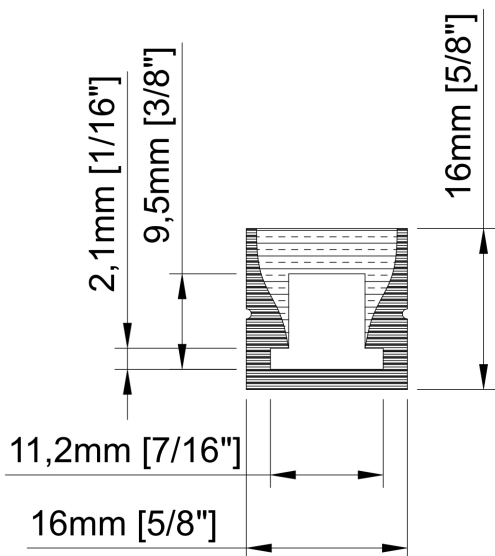
# TITANIUM

TECHNOLOGY

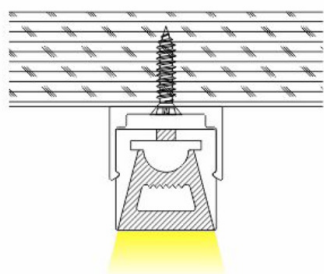
TT-FLEX-02



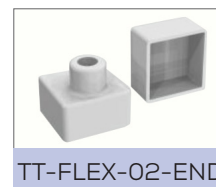
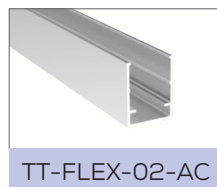
- Aluminum profile with opal acrylic.
- Designed to cover and dissipate heat the LED strips.
- Available in lengths 5000 mm (197").



Size	16 mm x 16 mm x 5000 mm 5/8" x 5/8" x 197"
Lenght	5000mm 197"
Internal width	11,2mm 7/16"
Cover	White silicone

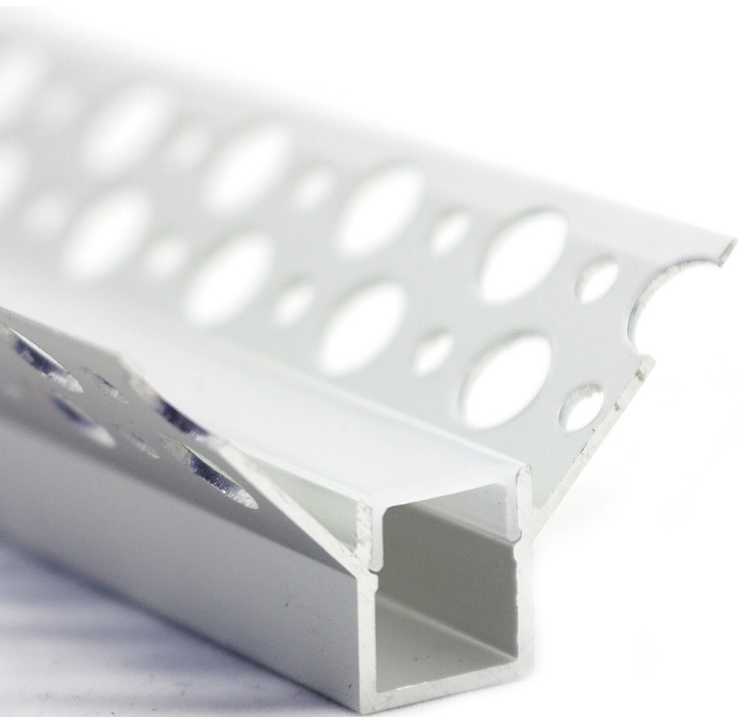
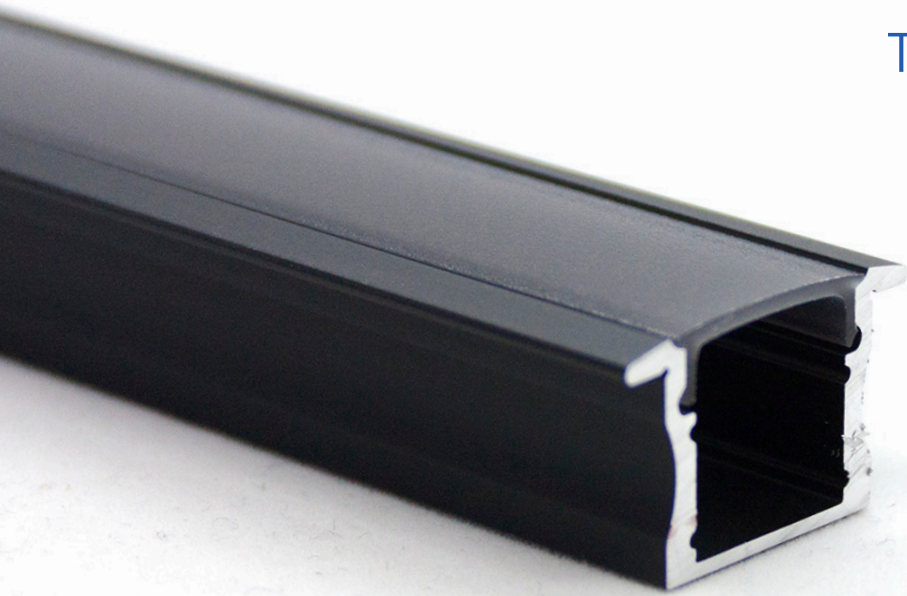


## Accessories



# TITANIUM

TECHNOLOGY



**TITANIUM TECHNOLOGY**  
2323, boulevard Versant Nord #111  
Québec, QC  
G1N 4P4 CANADA  
(866) 476-8115

[www.titaniumtechnology.com](http://www.titaniumtechnology.com)  
[sales@titaniumtechnology.com](mailto:sales@titaniumtechnology.com)  
[www.facebook.com/titaniumtechnologie](https://www.facebook.com/titaniumtechnologie)