



TITANIUM

TECHNOLOGY

Catalogue
2022

TITANIUM TECHNOLOGY

Titanium Technology is a company that works in the field of LED lighting. We are from the era where technologies are exploding and taking more and more space in our lives, we offer people tailor-made solutions that live up to their expectations. The Titanium Technology team is working with its distributors to complete their LED lighting projects. The challenges of our customers are our greatest motivation.

Discover Titanium Technology.

TABLE OF CONTENTS

OUR LED LIGHT SOURCES

LED light sources	4
-------------------------	---

ALUMINUM PROFILE

Recessed	34
Pendant	48
Black shadow series	76
Trim-less mud-in	88
Trim-less tiles	100
Bottom wall	106
Closet	110
Stairs	112
Trim-less concrete	114
Suspended ceiling	116
Edge	118
Flex	122

LED ENGINES

LED engines	126
-------------------	-----

CABINETS AND MILLWORK

Pucks	150
Light of cabinets	155

ARCHITECTURAL

Architectural	158
---------------------	-----

RECESSED SPOTLIGHT

Downlight	182
Panel light	185

TRACK LIGHTING SYSTEM

Linear	197
Curved	231

POWER SUPPLY

Dimmable	255
Plug-in	295

CONTROLS

Wall mount	307
Wireless	319
WiFi	325
Stick	326
Sunlite suite 3	327
Stand alone	328
Decoders	329
Amplifier	333

ACCESSORIES

Housings	338
Miscellaneous	340

ANNEXE

Annexe	344
--------------	-----

OUR LED LIGHT SOURCES

WE ARE CERTIFIED

Custom manufacturing is a specialty at Titanium Technology. Our workshop products are certified according to UL standards.

- Certified by the UL compliane with the Candia and US lighting and electrical code.
- Our factory have rigorous processes to certificate and guarantees exceptional performance



VARIETY OF LED

We offer one of most largest range of LED engines in a variety of colors, voltages and luminous flux.

- The LED engine made with 3oz coper to maximize the power efficiency.
- Find your right luminous flux between **80** lumen per watt to **130** lumen per watt .



CUSTOM MANUFACTURING

Custom LED light is made with our large range of profile and LED engine. The custom luminaires optimize the performance and efficiency off light effect.



OPAL

The opal lens is design for standard lighting. Allow an optimal light diffusion and keep high brightness.



MILKY

This lens is created for thin profile, eliminate the dot hot spot from LED source.



Without lens

REALISTIC COLOURS

Nowadays, lighting is more than just a tool that helps us exclude darkness and gloom during evenings. Proper lighting can enhance task performance, improve the appearance of an area, or have positive psychological effects on occupants.

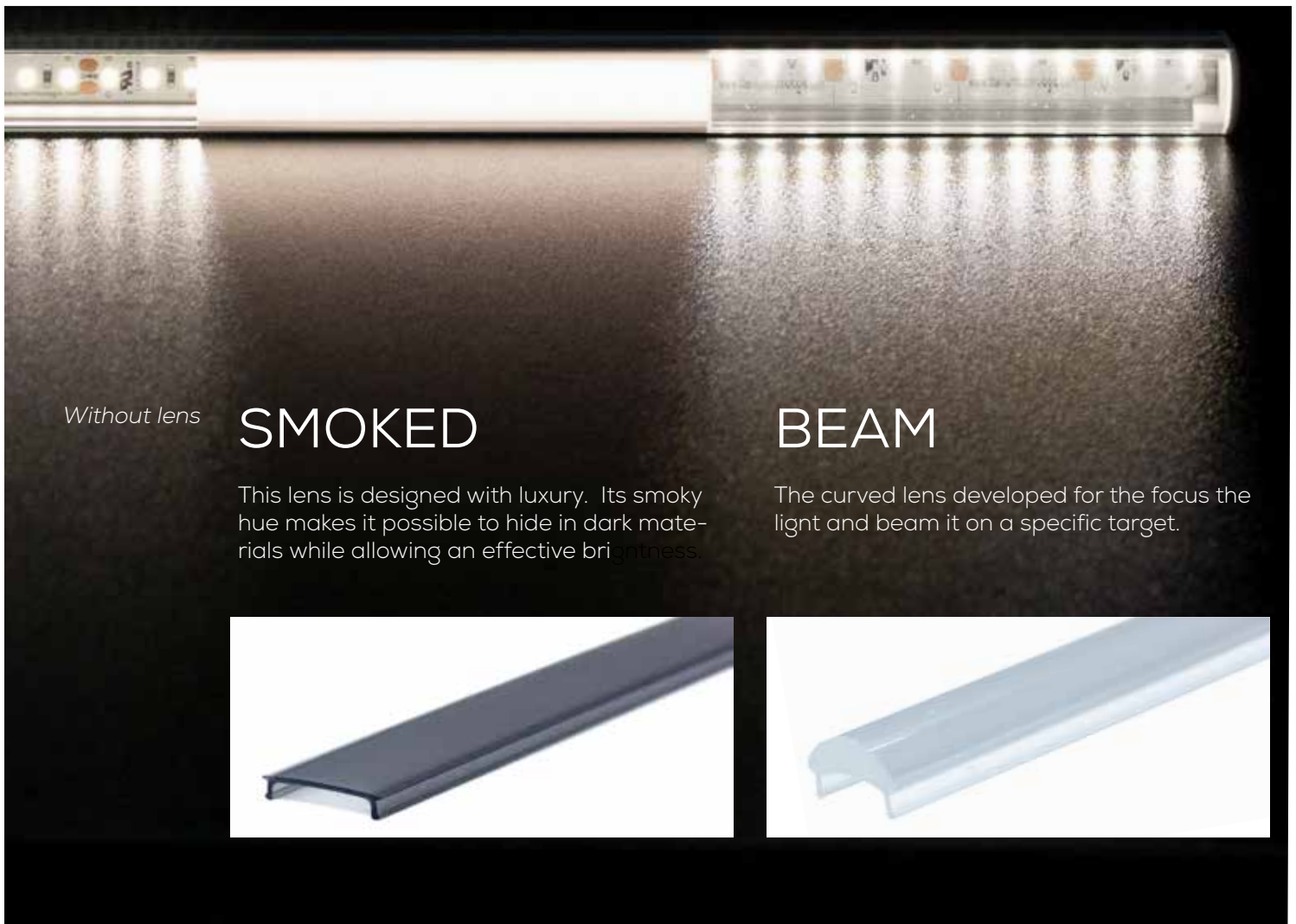
Numerous factors shall be taken into consideration when buying quality lighting, e.g. energy efficiency, life expectancy, correlated colour temperature, durability etc. Colour Rendering Index is probably one of the most crucial of aspects of lighting to be looked at when purchasing any type of lighting



High CRI of 90



Low CRI of 80



Without lens

SMOKED

This lens is designed with luxury. Its smoky hue makes it possible to hide in dark materials while allowing an effective brightness.



BEAM

The curved lens developed for the focus the light and beam it on a specific target.



ALUMINUM PROFILE



Credit photo: Maison Profab



SURFACE



Credit photo: Cuisines Simard



Power (W/m)	Luminous flux (lm/feet)	CRI	CCT (Kelvin)	Length (inch)
5,9 ~ 34	38 ~ 600	90	2700 ~ 6000	1 ~ 118

TT-01-3000 Page 12



Power (W/m)	Luminous flux (lm/feet)	CRI	CCT (Kelvin)	Length (inch)
5,9 ~ 34	38 ~ 600	90	2700 ~ 6000	1 ~ 118

TT-04-3000 Page 13



Power (W/m)	Luminous flux (lm/feet)	CRI	CCT (Kelvin)	Length (inch)
5,9 ~ 34	38 ~ 600	90	2700 ~ 6000	1 ~ 118

TT-06-3000 Page 14



Power (W/m)	Luminous flux (lm/feet)	CRI	CCT (Kelvin)	Length (inch)
5,9 ~ 34	38 ~ 600	90	2700 ~ 6000	1 ~ 118

TT-07-3000 Page 15



Power (W/m)	Luminous flux (lm/feet)	CRI	CCT (Kelvin)	Length (inch)
5,9 ~ 34	38 ~ 600	90	2700 ~ 6000	1 ~ 118

TT-08-3000 Page 16



Power (W/m)	Luminous flux (lm/feet)	CRI	CCT (Kelvin)	Length (inch)
5,9 ~ 34	38 ~ 600	90	2700 ~ 6000	1 ~ 118

TT-09-3000 Page 17



Power (W/m)	Luminous flux (lm/feet)	CRI	CCT (Kelvin)	Length (inch)
5,9 ~ 34	38 ~ 600	90	2700 ~ 6000	1 ~ 118

TT-10-3000 Page 18



Power (W/m)	Luminous flux (lm/feet)	CRI	CCT (Kelvin)	Length (inch)
5,9 ~ 34	38 ~ 600	90	2700 ~ 6000	1 ~ 118

TT-16-3000 Page 19



Power (W/m)	Luminous flux (lm/feet)	CRI	CCT (Kelvin)	Length (inch)
5,9 ~ 34	38 ~ 600	90	2700 ~ 6000	1 ~ 118

TT-21-3000 Page 20





Power (W/m)	Luminous flux (lm/feet)	CRI	CCT (Kelvin)	Length (inch)
5,9 ~ 34	38 ~ 600	90	2700 ~ 6000	1 ~ 118

TT-22-3000 Page 21



Power (W/m)	Luminous flux (lm/feet)	CRI	CCT (Kelvin)	Length (inch)
5,9 ~ 34	38 ~ 600	90	2700 ~ 6000	1 ~ 118

TT-23-2000 Page 22



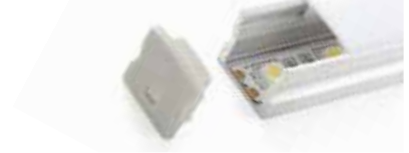
Power (W/m)	Luminous flux (lm/feet)	CRI	CCT (Kelvin)	Length (inch)
5,9 ~ 34	38 ~ 600	90	2700 ~ 6000	1 ~ 118

TT-24-2000 Page 23



Power (W/m)	Luminous flux (lm/feet)	CRI	CCT (Kelvin)	Length (inch)
5,9 ~ 34	38 ~ 600	90	2700 ~ 6000	1 ~ 118

TT-25-3000 Page 24



Power (W/m)	Luminous flux (lm/feet)	CRI	CCT (Kelvin)	Length (inch)
5,9 ~ 34	38 ~ 600	90	2700 ~ 6000	1 ~ 118

TT-32-2000 Page 25



Power (W/m)	Luminous flux (lm/feet)	CRI	CCT (Kelvin)	Length (inch)
5,9 ~ 34	38 ~ 600	90	2700 ~ 6000	1 ~ 118

TT-38-3000 Page 26



Power (W/m)	Luminous flux (lm/feet)	CRI	CCT (Kelvin)	Length (inch)
5,9 ~ 34	38 ~ 600	90	2700 ~ 6000	1 ~ 118

TT-40-2000 Page 27



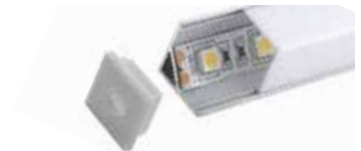
Power (W/m)	Luminous flux (lm/feet)	CRI	CCT (Kelvin)	Length (inch)
5,9 ~ 34	38 ~ 600	90	2700 ~ 6000	1 ~ 118

TT-40-3000-BK Page 28



Power (W/m)	Luminous flux (lm/feet)	CRI	CCT (Kelvin)	Length (inch)
5,9 ~ 34	38 ~ 600	90	2700 ~ 6000	1 ~ 118

TT-52-3000 Page 29



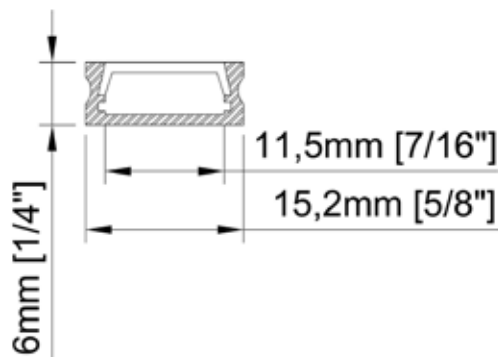
TITANIUM

TECHNOLOGY

TT-01-3000-O



- Aluminum profile with opal acrylic.
- Designed to cover and dissipate heat of the LED strips.
- Available in lengths 3000 mm (118 ").

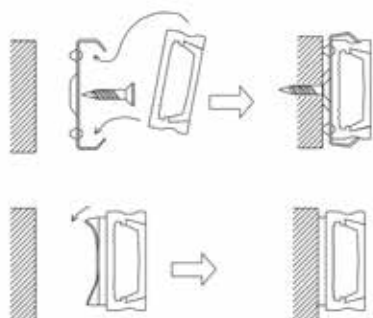


Size	15,2mm x 6mm x 3000mm $\frac{5}{8}'' \times \frac{1}{4}'' \times 118 \frac{1}{8}''$
------	--

Lenght	3000mm $118 \frac{1}{8}''$
--------	-------------------------------

Internal width	11,5mm $\frac{7}{16}''$
----------------	----------------------------

Cover	Opal
-------	------



Accessories



TT-01-CLIP



TT-01-END

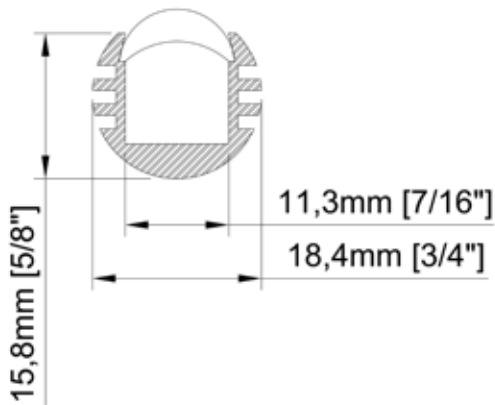
TITANIUM

TECHNOLOGY

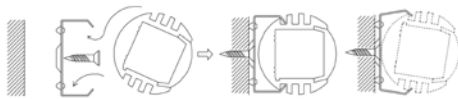
TT-04-3000-O



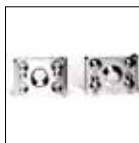
- Aluminum profile with opal acrylic.
- Designed to cover and dissipate heat of the LED strips.
- Available in lengths 3000 mm (118 ").



Size	Ø18,4mm x 3000mm Ø3/4" x 118 1/8"
Length	3000mm 118 1/8"
Internal width	11,3mm 7/16"
Cover	Opal



Accessories



TT-04-CLIP



TT-04-END

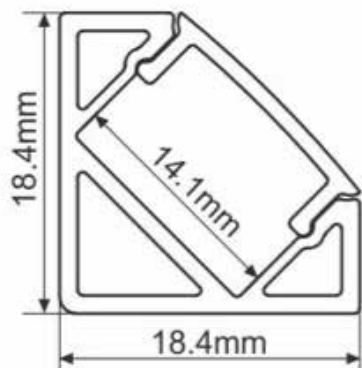
TITANIUM

TECHNOLOGY

TT-06-3000-O



- Aluminum profile with opal acrylic.
- Designed to cover and dissipate heat of the LED strips.
- Available in lengths 3000 mm (118 ").

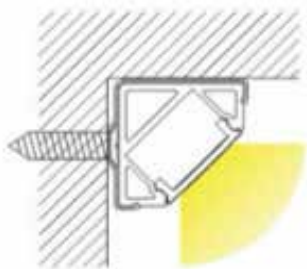


Size	18,4mm x 18,4mm x 3000mm $\frac{3}{4}'' \times \frac{3}{4}'' \times 118 \frac{1}{8}''$
------	---

Lenght	3000mm 118 $\frac{1}{8}''$
--------	-------------------------------

Internal width	14,1mm $\frac{9}{16}''$
----------------	----------------------------

Cover	Matte Opal PMMA Clear PMMA Black PMMA PC diffuser
-------	--



Accessories



TT-06-CLIP



TT-06-END

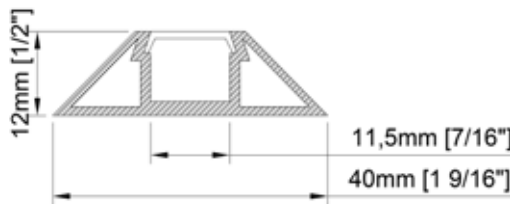
TITANIUM

TECHNOLOGY

TT-07-3000-O



- Aluminum profile with opal acrylic.
- Designed to cover and dissipate heat of the LED strips.
- Available in lengths 3000 mm (118 ").

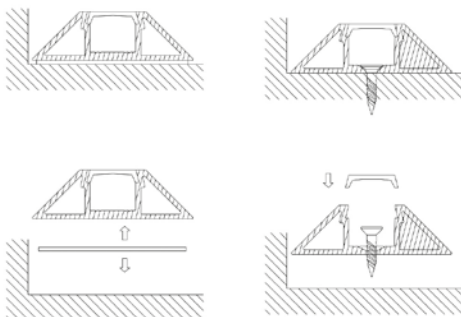


Size	40mm x 12mm x 3000mm 1 9/16" x 1/2" x 118 1/8"
------	---

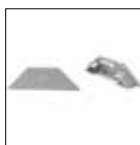
Lenght	3000mm 118 1/8"
--------	--------------------

Internal width	11,5mm 7/16"
----------------	-----------------

Cover	Opal
-------	------



Accessories



TT-07-END

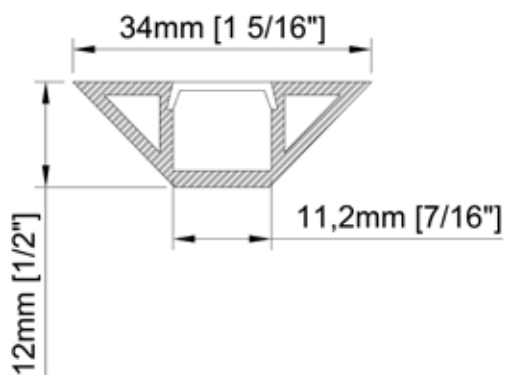
TITANIUM

TECHNOLOGY

TT-08-3000-O



- Aluminum profile with opal acrylic.
- Designed to cover and dissipate heat of the LED strips.
- Available in lengths 3000 mm (118 ").

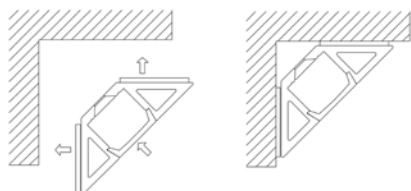
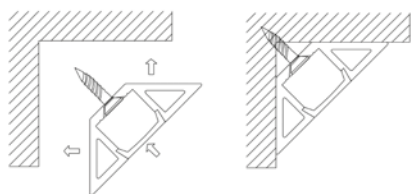


Size	34mm x 12mm x 3000mm 1 ⁵ / ₁₆ " x 1/2" x 118 1/8"
------	--

Lenght	3000mm 118 1/8"
--------	--------------------

Internal width	11,2mm 7/16"
----------------	-----------------

Cover	Opal
-------	------



Accessories



TT-08-END

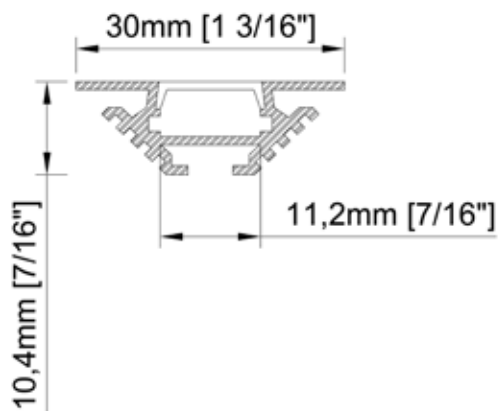
TITANIUM

TECHNOLOGY

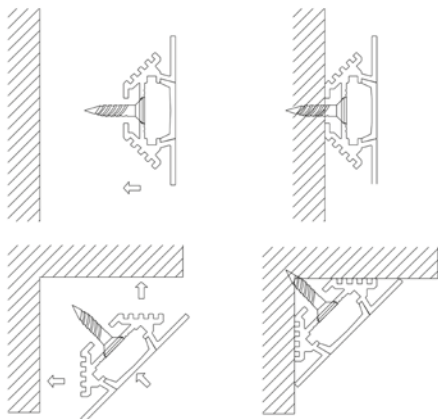
TT-09-3000-O



- Aluminum profile with opal acrylic.
- Designed to cover and dissipate heat of the LED strips.
- Available in lengths 3000 mm (118").



Size	30mm x 10,4mm x 3000mm 1 ³ / ₁₆ " x 7/ ₁₆ " x 118 ¹ / ₈ "
Lenght	3000mm 118 1/ ₈ "
Internal width	11,2mm 7/ ₁₆ "
Cover	Opal



Accessories



TT-09-END

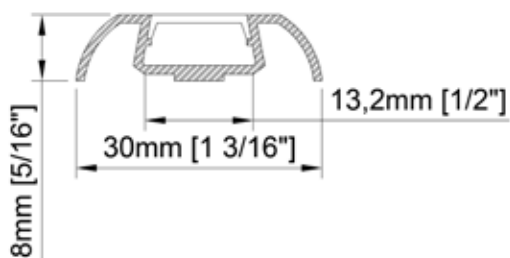
TITANIUM

TECHNOLOGY

TT-10-3000-O



- Aluminum profile with opal acrylic.
- Designed to cover and dissipate heat of the LED strips.
- Available in lengths 3000 mm (118 ").

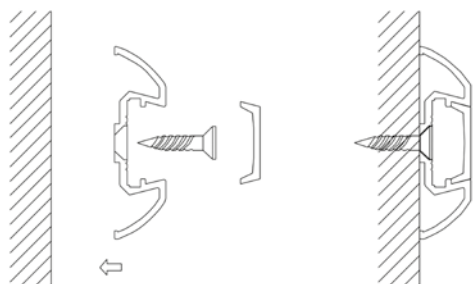


Size	30mm x 8mm x 3000mm 1 ³ / ₁₆ " x 5/ ₁₆ " x 118 ¹ / ₈ "
------	--

Lenght	3000mm 118 ¹ / ₈ "
--------	---

Internal width	13,2mm 1/ ₂ "
----------------	-----------------------------

Cover	Opal
-------	------



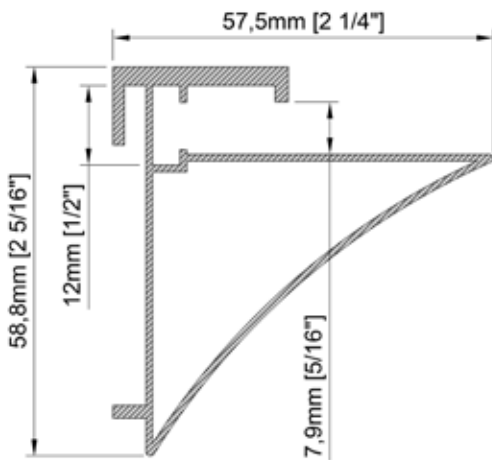
Accessories



TT-10-END

TT-16-2000-O

- Aluminum profile for attaching a glass shelf of 8mm.
- Designed to cover the LED strips and diffuse the light in the glass.
- Designed to be wall mounted.
- Available in lengths 2000 mm (78³/₄").



Size	57,5mm x 58,8mm x 2000mm 2 ¹ / ₄ " x 2 ⁵ / ₁₆ " x 78 ³ / ₄ "
Length	2000mm 78 ³ / ₄ "
Internal width	12mm 1/2"
Cover	None

*Glass not include.

Accessories



TT-16-END

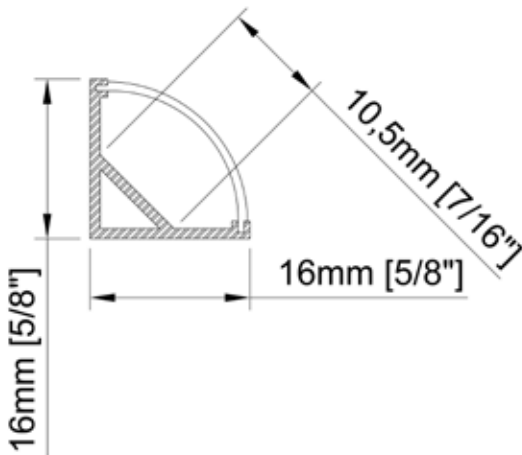
TITANIUM

TECHNOLOGY

TT-21-3000-O



- Aluminum profile with white acrylic.
- Designed to cover and dissipate heat of the LED strips.
- Available in lengths 3000 mm (118¹/₈").

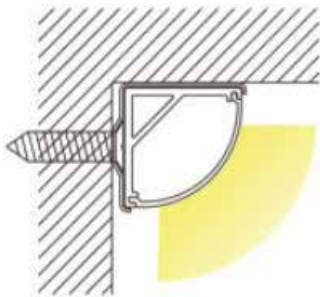


Size	16mm x 16mm x 3000mm 5/8" x 5/8" x 118 ¹ / ₈ "
------	---

Length	3000mm 118 ¹ / ₈ "
--------	---

Internal width	10,5mm 7/16"
----------------	-----------------

Cover	Matte Opal PMMA Clear PMMA Black PMMA PC diffuser
-------	--



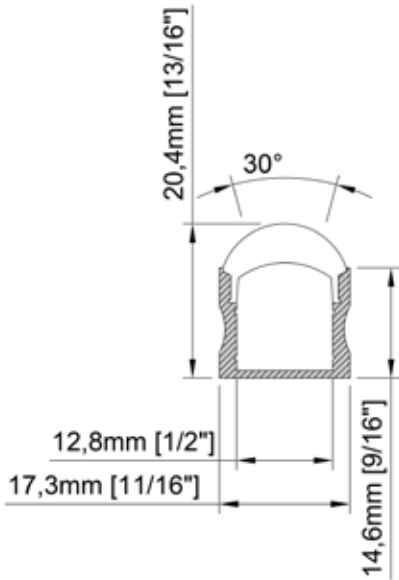
Accessories



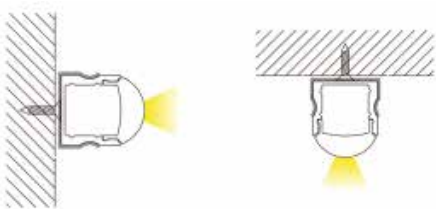
TT-21-CLIP TT-21-END

TT-22-3000-O

- Aluminum profile with clear acrylic.
- Designed to cover the LED ribbons and dissipate heat.
- Acrylic lens concentrates the light in a range of 30°
- Swivel attachment to guide the light.
- Available in lengths 3000 mm (118¹/₈").



Size	20,4mm x 17,3mm x 3000mm 1 ³ / ₁₆ " x 1 ¹ / ₁₆ " x 118 ¹ / ₈ "
Lenght	3000mm 118 ¹ / ₈ "
Internal width	12,8mm 1/2"
Cover	Clear, 30° lens



Accessories



TT-22-CLIP



TT-22-END

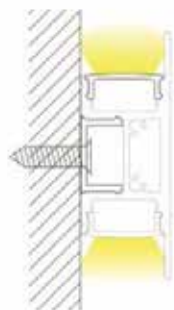
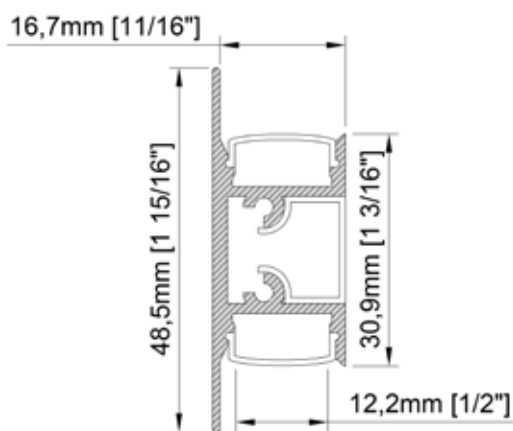
TITANIUM

TECHNOLOGY

TT-23-2000-O



- Aluminum profile with opal acrylic.
- Designed to cover and dissipate heat of the LED strips.
- Available in lengths 2000 mm (78³/₄ ").



Size	48,5mm x 16,7mm x 2000mm 1 ¹⁵ / ₁₆ " x 1 ¹¹ / ₁₆ " x 78 ³ / ₄ "
Lenght	2000mm 78 ³ / ₄ "
Internal width	2 x 12,2mm 2 x 1/2"
Cover	Matte Opal PMMA Clear PMMA Black PMMA PC diffuser

Accessories



TT-23-CLIP

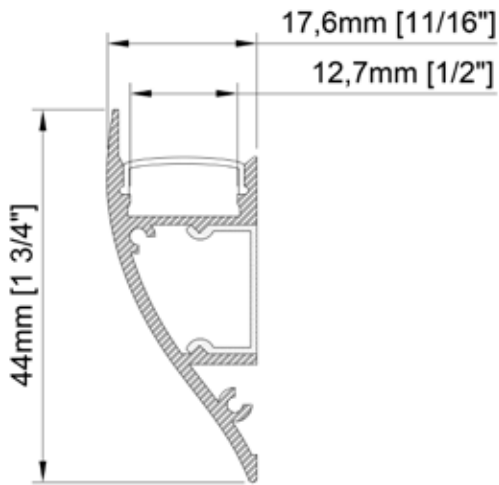


TT-23-END

TT-24-2000-O



- Designed to cover and dissipate heat of the LED strips.
- Available in lengths 2000 mm (78³/₄ ").



Size	44mm x 17,6mm x 2000mm 1 ³ / ₄ " x 11 ¹ / ₁₆ " x 78 ³ / ₄ "
Length	2000mm 78 ³ / ₄ "
Internal width	12,7mm 1/2"
Cover	Matte Opal PMMA Clear PMMA Black PMMA PC diffuser



Accessories



TT-24-CLIP



TT-24-END

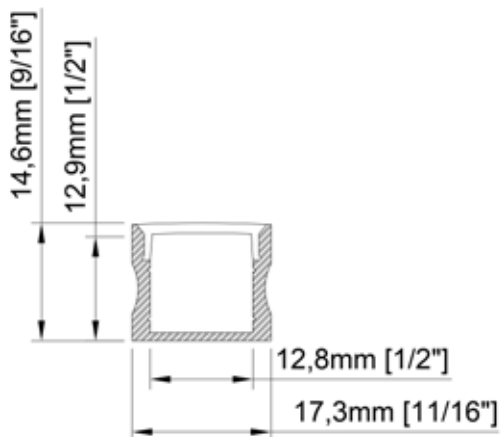
TITANIUM

TECHNOLOGY

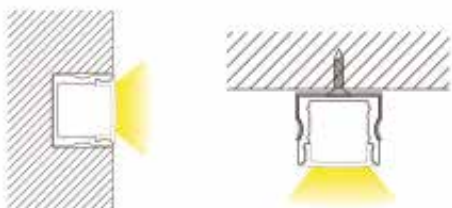
TT-25-3000-O



- Aluminum profile with white acrylic.
- Designed to cover and dissipate heat of the LED strips.
- Available in lengths 3000 mm (118¹/₈ ").



Size	3000mm x 17,3mm x 14,6mm 118 ¹ / ₈ " x 1 ¹ / ₁₆ " x 9/16"
Length	3000mm 118 ¹ / ₈ "
Internal width	12,8mm 1/2"
Cover	Matte Opal PMMA Clear PMMA Black PMMA PC diffuser



Accessories



TT-25-CLIP

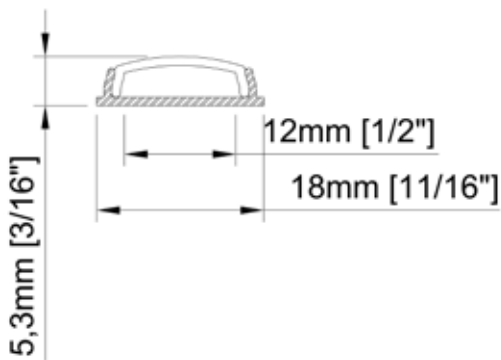


TT-25-END

TT-32-2000-O



- Aluminum profile with opal acrylic.
- Designed in flexible aluminum to conceal LED ribbons and dissipate heat on curved surfaces.
- Available in lengths 2000 mm (78³/₄ ").



Size	18mm x 5,3mm x 2000mm 1 ¹ / ₁₆ " x 3 ³ / ₁₆ " x 78 ³ / ₄ "
Lenght	2000mm 78 ³ / ₄ "
Internal width	12mm 1 ¹ / ₂ "
Cover	Opal PC diffuser

Accessories



TT-32-CLIP

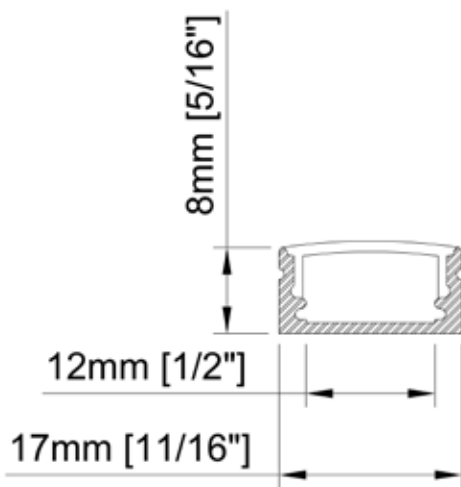
TITANIUM

TECHNOLOGY

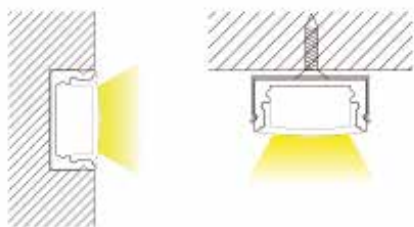
TT-38-3000-O



- Aluminum profile with opal acrylic.
- Designed to cover and dissipate heat of the LED strips.
- Available in lengths 3000 mm (118¹/₈").



Size	17mm x 8mm x 3000mm 1 ¹ / ₁₆ " x 5 ⁵ / ₁₆ " x 118 ¹ / ₈ "
Length	3000 mm 118 ¹ / ₈ "
Internal width	12mm 1/2"
Cover	Matte Opal PMMA Clear PMMA Black PMMA PC diffuser



Accessories



TT-38-CLIP

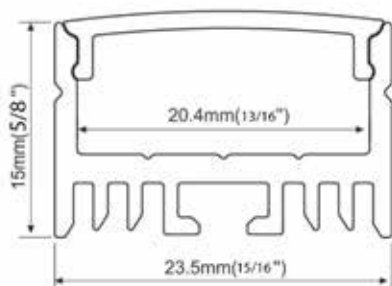


TT-38-END

TT-40-2000-O



- Aluminum profile with opal acrylic.
- Designed to cover and dissipate heat of the LED strips.
- Available in lengths 2000 mm (78³/₄").



Size	23,5mm x 15mm x 2000mm 1 ⁵ / ₁₆ " x 5/ ₈ " x 78 ³ / ₄ "
------	---

Lenght	2000mm 78 ³ / ₄ "
--------	--

Internal width	20,4mm 1 ³ / ₁₆ "
----------------	--

Cover	PC diffused
-------	-------------



Accessories



TT-40-CLIP



TT-40-END

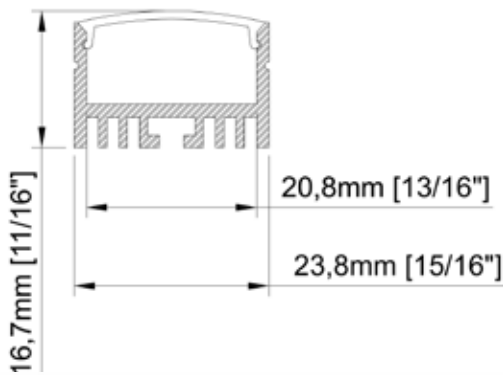


TT-40-SUSP

TT-40-3000-O-BK



- Aluminum profile with opal acrylic.
- Designed to cover and dissipate heat of the LED strips.
- Available in lengths 3000 mm (118¹/₈").

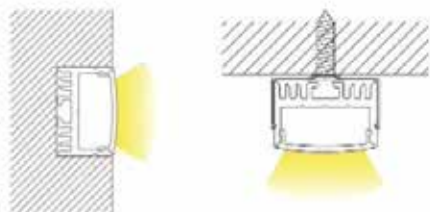


Size	23,8mm x 16,7mm x 3000mm 1 ⁵ / ₁₆ " x 1 ¹ / ₁₆ " x 118 ¹ / ₈ "
------	---

Lenght	3000mm 118 ¹ / ₈ "
--------	---

Internal width	20,8mm 1 ³ / ₁₆ "
----------------	--

Cover	PC diffused
-------	-------------



Accessories



TT-40-CLIP



TT-40-END-BK



TT-40-SUSP

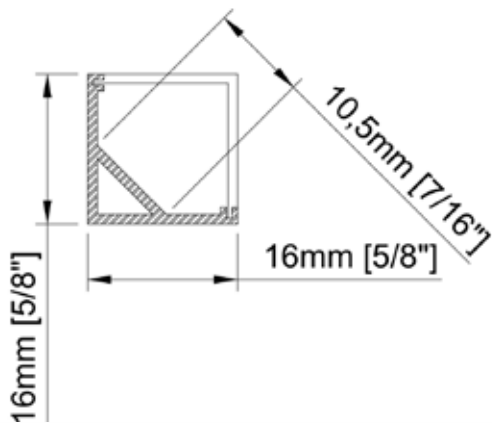
TITANIUM

TECHNOLOGY

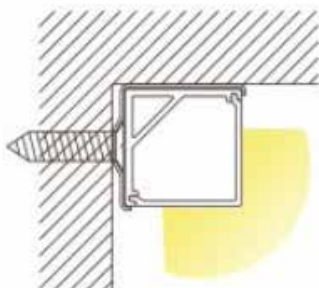
TT-52-3000-O



- Aluminum profile with opal acrylic.
- Designed to cover and dissipate heat of the LED strips.
- Available in lengths 3000 mm (118¹/₈").



Size	16mm x 16mm x 3000mm 5/8" x 5/8" x 118 ¹ / ₈ "
Lenght	3000mm 118 ¹ / ₈ "
Internal width	10,5mm 7/16"
Cover	Matte opal PMMA



Accessories



TT-52-CLIP



TT-52-END

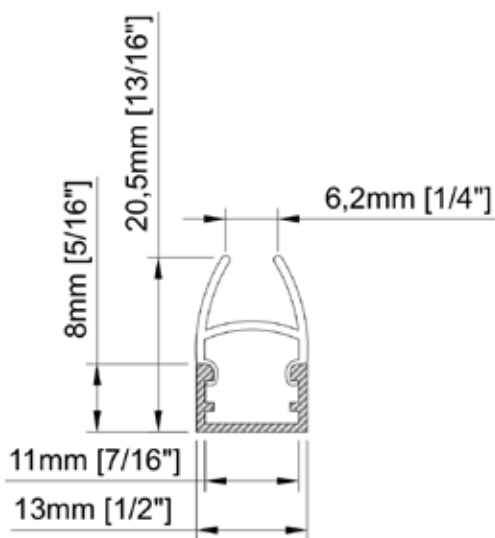
TITANIUM

TECHNOLOGY

TT-64-3000-O



- Aluminum profile with smoked acrylic.
- Designed to cover and dissipate heat of the LED strips.
- Available in lengths 3000 mm (118¹/₈").



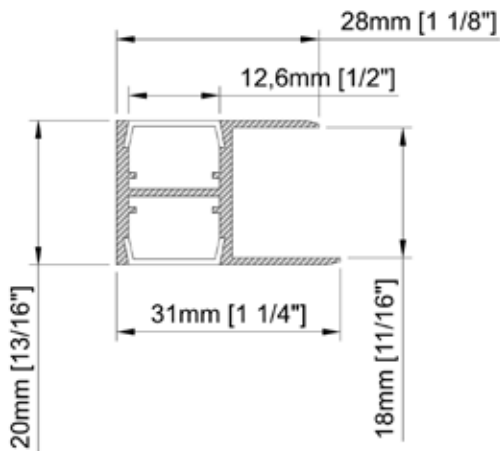
Size	13mm x 20,5mm x 3000mm $\frac{1}{2}'' \times \frac{13}{16}'' \times 118\frac{1}{8}''$
Lenght	3000mm $118\frac{1}{8}''$
Internal width	11mm $\frac{7}{16}''$
Finish	BK - Black (n/a) Grey
Cover	PC diffused

*Glass not include.

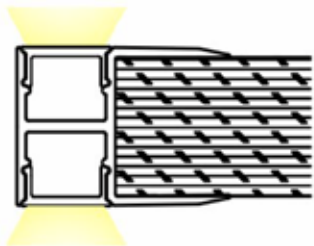
TT-65-3000-O



- Aluminum profile with opal acrylic.
- Designed to cover and dissipate heat of the LED strips.
- Available in lengths 3000 mm (118¹/₈").



Size	31mm x 20mm x 3000mm 1 ¹ / ₄ " x 1 ³ / ₁₆ " x 118 ¹ / ₈ "
Lenght	3000mm 118 ¹ / ₈ "
Internal width	2 x 12,6mm 2 x 1/2"
Finish	BK - Black (n/a) Grey
Cover	PC diffused



TITANIUM

TECHNOLOGY

TT-66-2000-O



- Aluminum profile with opal acrylic.
- Designed to cover and dissipate heat of the LED strips.
- Available in lengths 2000 mm (78³/₄").

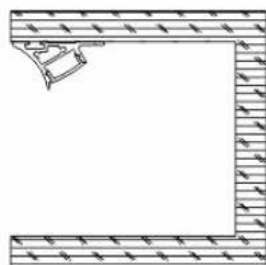


Size 31,6mm x 18,5mm x 2000mm
7/16" x 3/4" x 78³/₄"

Lenght 2000mm
78³/₄"

Internal width 12,3mm
1/2"

Cover PC diffused



Accessories



TT-66-END

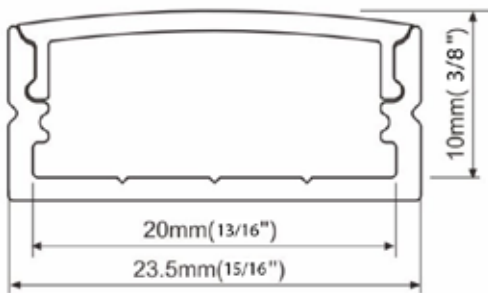
TITANIUM

TECHNOLOGY

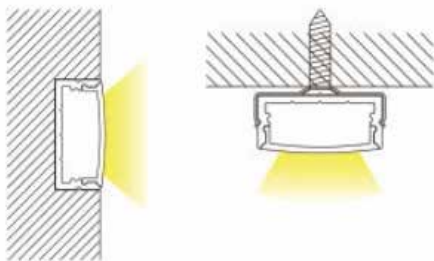
TT-68-3000-O



- Aluminum profile with white acrylic.
- Designed to cover and dissipate heat of the LED strips.
- Available in lengths 3000 mm (118¹/₈").



Size	23,5mm x 10mm x 3000mm 1 ⁵ / ₁₆ " x 3 ³ / ₈ " x 118 ¹ / ₈ "
Lenght	3000mm 118 ¹ / ₈ "
Internal width	20mm 1 ³ / ₁₆ "
Cover	Matte opal PMMA



Accessories



TT-68-CLIP



TT-68-END

RECESSED



Credit photo: Christian Marcoux



Power (W/m)	Luminous flux (lm/feet)	CRI	CCT (Kelvin)	Length (inch)
5,9 ~ 34	38 ~ 600	90	2700 ~ 6000	1 ~ 118

TT-02-3000 Page 37



Power (W/m)	Luminous flux (lm/feet)	CRI	CCT (Kelvin)	Length (inch)
5,9 ~ 34	38 ~ 600	90	2700 ~ 6000	1 ~ 118

TT-03-3000 Page 38



Power (W/m)	Luminous flux (lm/feet)	CRI	CCT (Kelvin)	Length (inch)
5,9 ~ 34	38 ~ 600	90	2700 ~ 6000	1 ~ 118

TT-14-3000 Page 39



Power (W/m)	Luminous flux (lm/feet)	CRI	CCT (Kelvin)	Length (inch)
5,9 ~ 34	38 ~ 600	90	2700 ~ 6000	1 ~ 118

TT-17-2500 Page 40



Power (W/m)	Luminous flux (lm/feet)	CRI	CCT (Kelvin)	Length (inch)
5,9 ~ 34	38 ~ 600	90	2700 ~ 6000	1 ~ 118

TT-18-2500 Page 41



Power (W/m)	Luminous flux (lm/feet)	CRI	CCT (Kelvin)	Length (inch)
5,9 ~ 34	38 ~ 600	90	2700 ~ 6000	1 ~ 118

TT-19-2000 Page 42



Power (W/m)	Luminous flux (lm/feet)	CRI	CCT (Kelvin)	Length (inch)
5,9 ~ 34	38 ~ 600	90	2700 ~ 6000	1 ~ 118

TT-39-2000 Page 43



Power (W/m)	Luminous flux (lm/feet)	CRI	CCT (Kelvin)	Length (inch)
5,9 ~ 34	38 ~ 600	90	2700 ~ 6000	1 ~ 118

TT-49-2000 Page 44



Power (W/m)	Luminous flux (lm/feet)	CRI	CCT (Kelvin)	Length (inch)
5,9 ~ 34	38 ~ 600	90	2700 ~ 6000	1 ~ 118

TT-50-3000 Page 45





Power (W/m)	Luminous flux (lm/feet)	CRI	CCT (Kelvin)	Length (inch)
5,9 ~ 34	38 ~ 600	90	2700 ~ 6000	1 ~ 118



PRODUCT BUILDER CODE

TT	PROFILE	LENGTH (inch)	LUMEN PACKAGE	COLOUR CCT	IP	VOLTAGE	LEAD IN (inch)	LEAD OUT (inch)	END CAP	CLIP	PSU
TT											

28/6 221 lm/feet 5W/feet	27 2700K	20	12	Hxxxx 12 inches minimum	empty No lead out	NE No end cap	NC No Clip	n/a No psu
28/6 H 527 lm/feet 6,25W/feet *24v only	30 3000K	65	24	DCxxxx 12 inches minimum	Hxxxx 12 inches minimum	EC With end cap	xC x=QTE	P Plug-in
28/12 456 lm/feet 9W/feet *24v only	35 3500K			DCxxxx 12 inches minimum	DCxxxx 12 inches minimum			CV Dimmable
35/3 45 lm/feet 1,5W/feet	40 4000K							CV-BOX Dimmable with box
35/6 120 lm/feet 3W/feet	60 6000K							CV67 IP67 psu
22/15 425 lm/feet 9W/feet *24v only	RE RED							120V No dimmable 120v psu
50/3 4,5W/feet	GR GREEN							347V No dimmable 347V PSU
DX/24 DIGITAL DMX *24V only	BL BLUE							010 0-10v PSU
	AM AMBER							
	PK PINK *28/6 only							
	CB CYAN *28/6 only							
	OR ORANGE *28/6 only							
	UV *28/6 only							
	RGB *50/3, 28/6 or 35/6 only							
	RGBWW *50/3 only							
	RGBNW *50/3 only							
	RGBCW *50/3 only							
	RGBCCT *50/3 only							

For a custom color, add at the end of the manufacturer code number COLOR RAL K7. Contact your dealer about the additional cost to a special color.

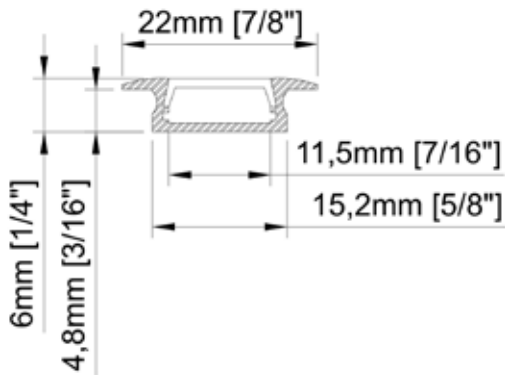
TITANIUM

TECHNOLOGY

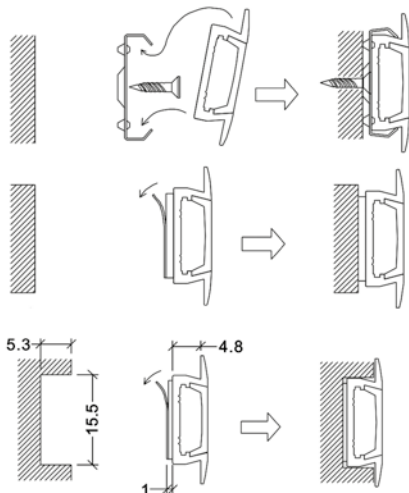
TT-02-3000-O



- Aluminum profile with opal acrylic.
- Designed to cover and dissipate heat of the LED strips.
- Available in lengths 3000 mm (118 ").



Size	15,2mm x 4,8mm x 3000mm $5/8'' \times 3/16'' \times 118 \ 1/8''$
Lenght	3000mm $118 \ 1/8''$
Internal width	11,5mm $7/16''$
Cover	Opal



Accessories



TT-02-CLIP



TT-02-END

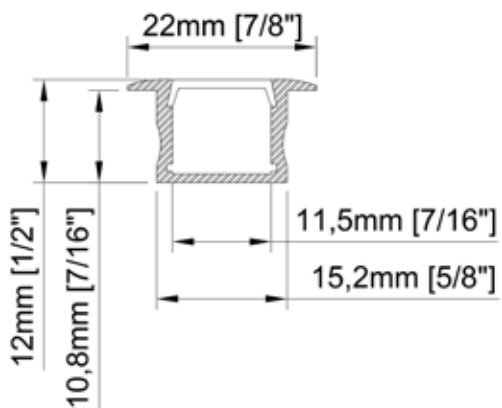
TITANIUM

TECHNOLOGY

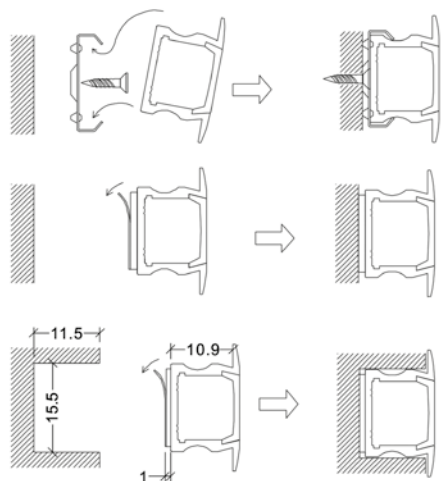
TT-03-3000-O



- Aluminum profile with opal acrylic.
- Designed to cover and dissipate heat of the LED strips.
- Available in lengths 3000 mm (118 ").



Size	15,2mm x 10,8mm x 3000mm 5/8" x 7/16" x 118 1/8"
Lenght	3000mm 118 1/8"
Internal width	11,5mm 7/16"
Cover	Opal



Accessories



TT-03-CLIP



TT-03-CLIP

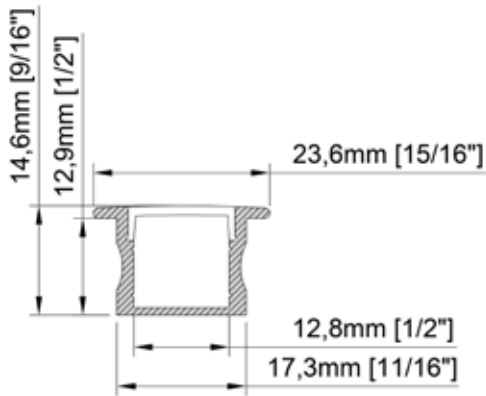
TITANIUM

TECHNOLOGY

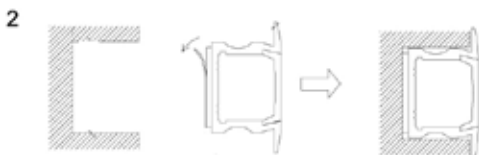
TT-14-3000-O



- Aluminum profile with opal acrylic.
- Designed to cover and dissipate heat of the LED strips.
- Available in lengths 3000 mm (118¹/₄ ").



Size	17,3mm x 12,9mm x 3000mm 11/16" x 1/2" x 118 ¹ / ₈ "
Lenght	3000mm 118 ¹ / ₈ "
Internal width	12,8mm 1/2"
Cover	Matte Opal PMMA Clear PMMA Black PMMA PC diffuser



Accessories



TT-14-CLIP

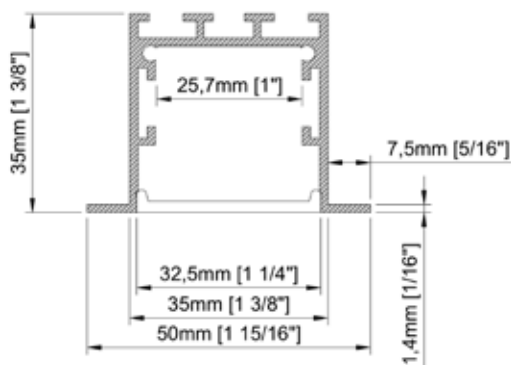


TT-14-END

TT-17-2500-O



- Aluminum profile with white acrylic.
- Designed to cover and dissipate heat of the LED strips.
- Available in lengths 2500 mm (98³/₈ ").



Size	35mm x 35mm x 2500mm 1 ³ / ₈ " x 1 ³ / ₈ " x 98 ³ / ₈ "
Lenght	2500mm 98 ³ / ₈ "
Internal width	25,7mm 1"
Cover	PC diffused

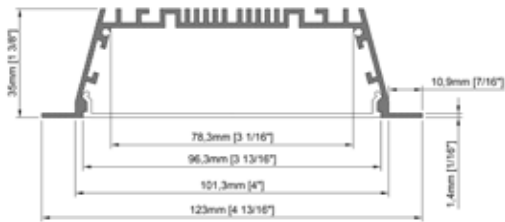
Accessories



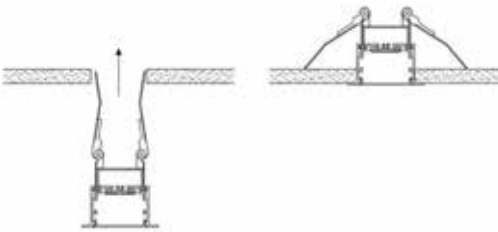
TT-18-2500-O



- Aluminum profile with opal acrylic.
- Designed to cover and dissipate heat of the LED strips.
- Available in lengths 2500 mm (98³/₈ ").



Size	123mm x 35mm x 2500mm 4 ⁷ / ₈ " x 1 ¹ / ₂ " x 98 ³ / ₈ "
Lenght	2500mm 98 ³ / ₈ "
Internal width	77,5mm 3"
Cover	PC diffuse



Accessories

TT-18-SNAP	TT-18-L	TT-18-T	TT-18-X	TT-18-I	TT-18-END
TT-18-EXT	TT-18-EXT-90	TT-18-EXT-90IL	TT-18-EXT-60	TT-18-EXT-120	

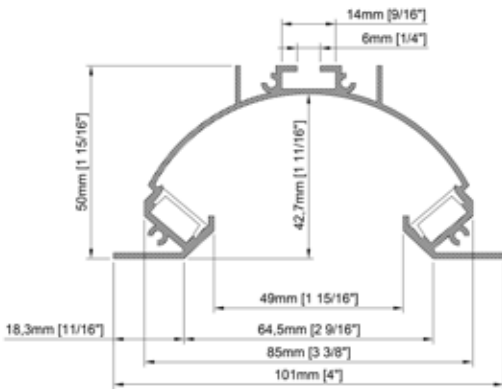
TITANIUM

TECHNOLOGY

TT-19-2000-O



- Aluminum profile with opal acrylic.
- Designed to cover and dissipate heat of the LED strips.
- Available in lengths 2000 mm (78³/₄ ").

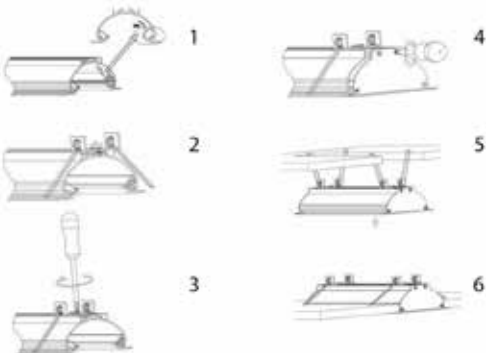


Size 101mm x 50mm x 2000mm
4" x 2" x 78³/₄"

Lenght 2000mm
78³/₄"

Internal width 2 x 12mm
2 x 1/2"

Cover Semi clear PMMA



Accessories



TT-19-SNAP



TT-19-END

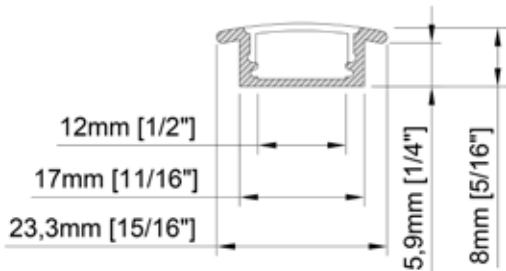
TITANIUM

TECHNOLOGY

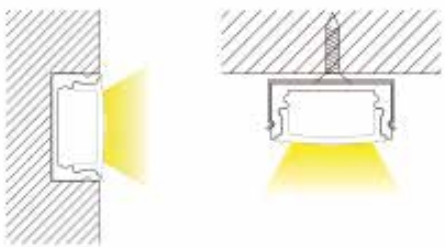
TT-39-3000-O



- Aluminum profile with opal acrylic.
- Designed to cover and dissipate heat of the LED strips.
- Available in lengths 3000 mm (118¹/₈").



Size	23,3mm x 5,9mm x 3000mm 15 ¹ / ₁₆ " x 1 ¹ / ₄ " x 118 ¹ / ₈ "
Lenght	3000mm 118 ¹ / ₈ "
Internal width	12mm 1 ¹ / ₂ "
Cover	Matte Opal PMMA Clear PMMA Black PMMA PC diffuser



Accessories



TT-39-CLIP

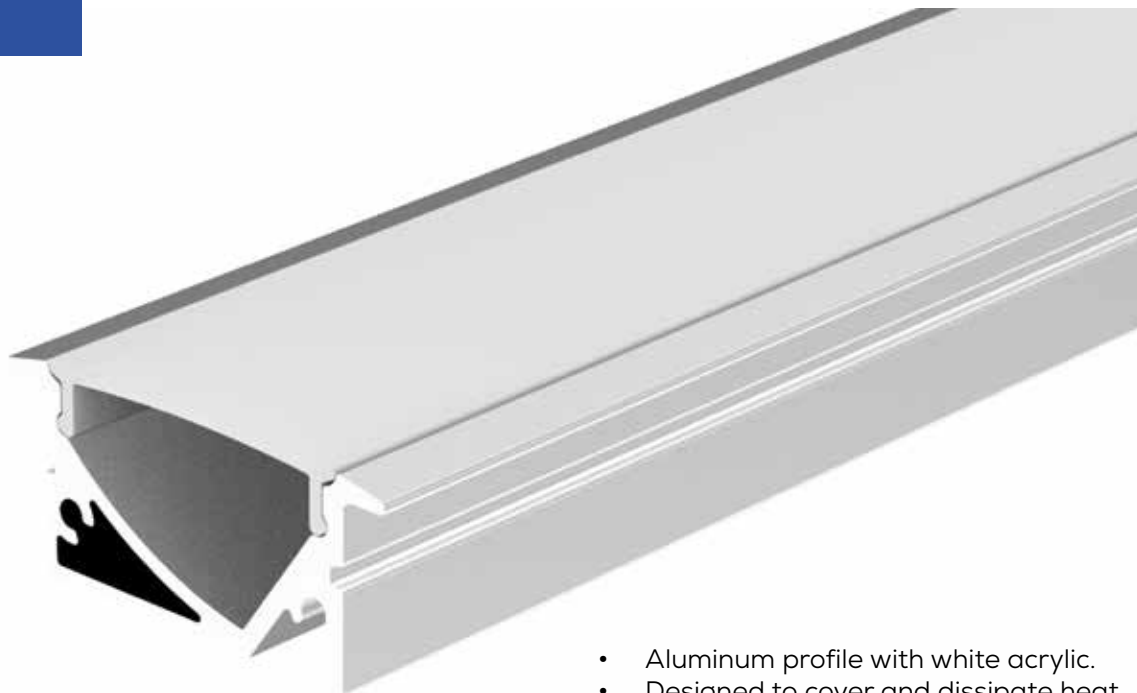


TT-39-END

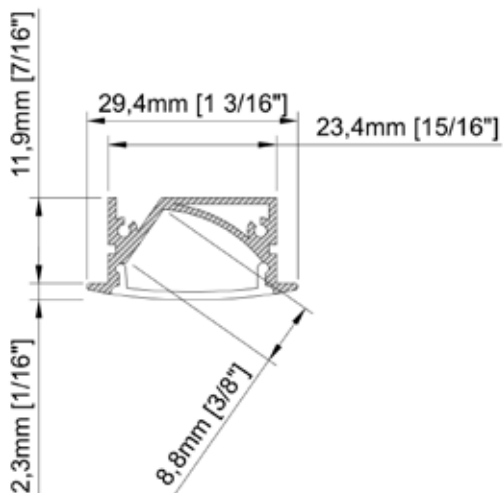
TITANIUM

TECHNOLOGY

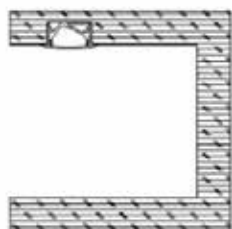
TT-49-2000-O



- Aluminum profile with white acrylic.
- Designed to cover and dissipate heat of the LED strips.
- Available in lengths 2000 mm (78³/₄ ").



Size	29,4 x 14,2 x 2000 mm 1 ³ / ₁₆ " x 9/ ₁₆ " x 78 ³ / ₄ "
Lenght	2000 mm 78 ³ / ₄ "
Internal width	8,8 mm 3/ ₈ "
Cover	PC diffused



Accessories



TT-49-SNAP



TT-49-END

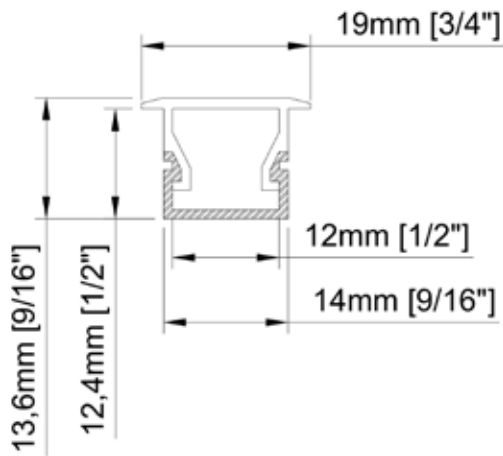
TITANIUM

TECHNOLOGY

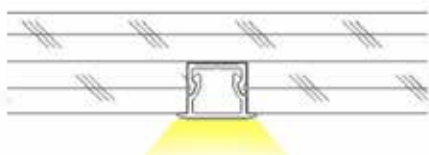
TT-50-2000-O



- Aluminum profile with opal acrylic.
- Designed to cover and dissipate heat of the LED strips.
- Available in lengths 2000 mm (78³/₄").



Size	19mm x 13,6mm x 2000mm 3/4" x 9/16" x 78 ³ / ₄ "
Lenght	2000mm 78 ³ / ₄ "
Internal width	12mm 1/2"
Cover	PC diffused



Accessories



TT-50-CLIP



TT-50-END

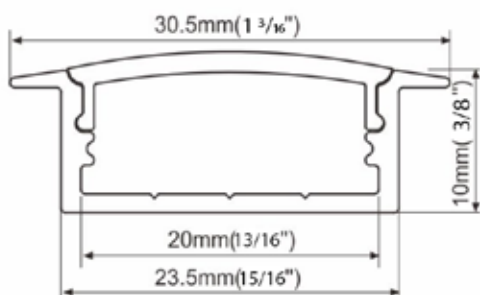
TITANIUM

TECHNOLOGY

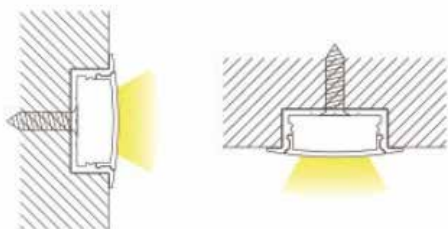
TT-69-3000-O



- Aluminum profile with opal acrylic.
- Designed to cover and dissipate heat of the LED strips.
- Available in lengths 3000 mm (118¹/₈").



Size	30,5mm x 10mm x 3000mm 1 ³ / ₁₆ " x 3/ ₈ " x 118 ¹ / ₈ "
Lenght	3000mm 118 ¹ / ₈ "
Internal width	20mm 1 ³ / ₁₆ "
Cover	Matte Opal PMMA

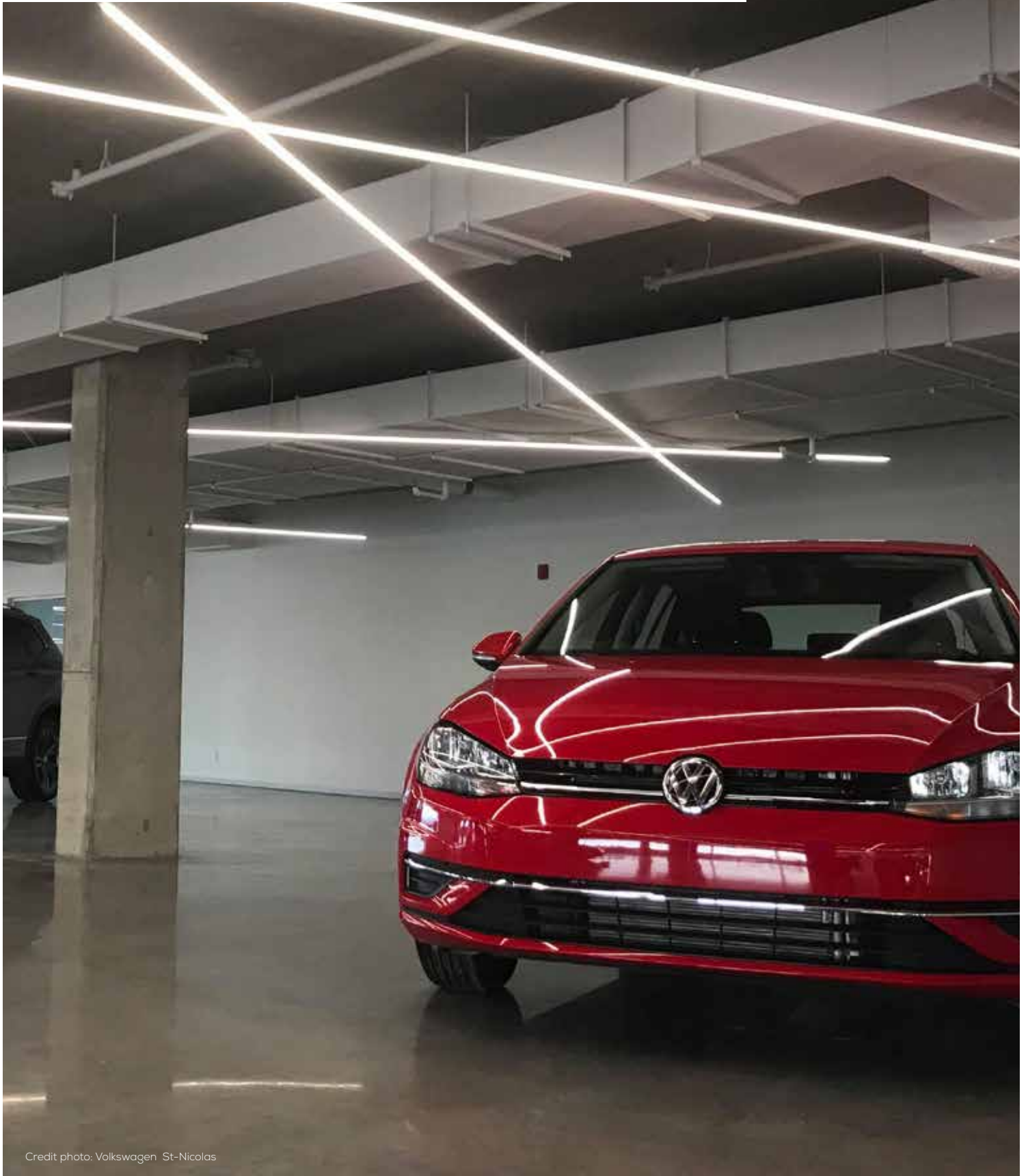


Accessories



TT-69-END

PENDANT



Credit photo: Volkswagen St-Nicolas



Power (W/m)	Luminous flux (lm/feet)	CRI	CCT (Kelvin)	Length (inch)
5,9 ~ 34	38 ~ 600	90	2700 ~ 6000	1 ~ 118

TT-13-3000 Page 52



Power (W/m)	Luminous flux (lm/feet)	CRI	CCT (Kelvin)	Length (inch)
5,9 ~ 34	38 ~ 600	90	2700 ~ 6000	1 ~ 118

TT-15-3000 Page 53



Power (W/m)	Luminous flux (lm/feet)	CRI	CCT (Kelvin)	Length (inch)
5,9 ~ 34	38 ~ 600	90	2700 ~ 6000	1 ~ 118

TT-15-3000-BK Page 54



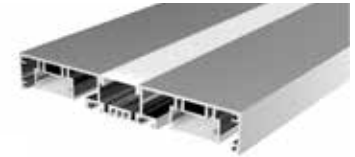
Power (W/m)	Luminous flux (lm/feet)	CRI	CCT (Kelvin)	Length (inch)
5,9 ~ 34	38 ~ 600	90	2700 ~ 6000	1 ~ 118

TT-20-2000 Page 55



Power (W/m)	Luminous flux (lm/feet)	CRI	CCT (Kelvin)	Length (inch)
5,9 ~ 34	38 ~ 600	90	2700 ~ 6000	1 ~ 118

TT-31-2500 Page 56



Power (W/m)	Luminous flux (lm/feet)	CRI	CCT (Kelvin)	Length (inch)
5,9 ~ 34	38 ~ 600	90	2700 ~ 6000	1 ~ 118

TT-37-2500 Page 57



Power (W/m)	Luminous flux (lm/feet)	CRI	CCT (Kelvin)	Length (inch)
5,9 ~ 34	38 ~ 600	90	2700 ~ 6000	1 ~ 118

TT-46-2500 Page 58



Power (W/m)	Luminous flux (lm/feet)	CRI	CCT (Kelvin)	Length (inch)
5,9 ~ 34	38 ~ 600	90	2700 ~ 6000	1 ~ 118

TT-47-2500 Page 59



Power (W/m)	Luminous flux (lm/feet)	CRI	CCT (Kelvin)	Length (inch)
5,9 ~ 34	38 ~ 600	90	2700 ~ 6000	1 ~ 118

TT-48-2500 Page 60



Power (W/m)	Luminous flux (lm/feet)	CRI	CCT (Kelvin)	Length (inch)
5,9 ~ 34	38 ~ 600	90	2700 ~ 6000	1 ~ 118

TT-48-2500-BK Page 61





Power (W/m)	Luminous flux (lm/feet)	CRI	CCT (Kelvin)	Length (inch)
5,9 ~ 34	38 ~ 600	90	2700 ~ 6000	1 ~ 118

TT-53-2000 Page 62



Power (W/m)	Luminous flux (lm/feet)	CRI	CCT (Kelvin)	Length (inch)
5,9 ~ 34	38 ~ 600	90	2700 ~ 6000	1 ~ 118

TT-54-2000-BK Page 63



Power (W/m)	Luminous flux (lm/feet)	CRI	CCT (Kelvin)	Length (inch)
-	-	90	2700 ~ 6000	Ø 23 5/8

TT-R25-600 Page 64



Power (W/m)	Luminous flux (lm/feet)	CRI	CCT (Kelvin)	Length (inch)
-	-	90	2700 ~ 6000	Ø 35 7/16

TT-R25-900 Page 65



Power (W/m)	Luminous flux (lm/feet)	CRI	CCT (Kelvin)	Length (inch)
-	-	90	2700 ~ 6000	Ø 50

TT-R25-1270 Page 66



Power (W/m)	Luminous flux (lm/feet)	CRI	CCT (Kelvin)	Length (inch)
-	-	90	2700 ~ 6000	Ø 70 7/8

TT-R25-1800 Page 67



Power (W/m)	Luminous flux (lm/feet)	CRI	CCT (Kelvin)	Length (inch)
-	-	90	2700 ~ 6000	Ø 23 5/8

TT-R30-600 Page 68



Power (W/m)	Luminous flux (lm/feet)	CRI	CCT (Kelvin)	Length (inch)
-	-	90	2700 ~ 6000	Ø 35 7/16

TT-R30-900 Page 69



Power (W/m)	Luminous flux (lm/feet)	CRI	CCT (Kelvin)	Length (inch)
-	-	90	2700 ~ 6000	Ø 47 1/4

TT-R30-1200 Page 70



Power (W/m)	Luminous flux (lm/feet)	CRI	CCT (Kelvin)	Length (inch)
-	-	90	2700 ~ 6000	Ø 35 7/16

TT-R50-900 Page 71





TT-R50-1270 Page 72

Power (W/m)	Luminous flux (lm/feet)	CRI	CCT (Kelvin)	Length (inch)
-	-	90	2700 ~ 6000	Ø 50



TT-R50-1800 Page 73

Power (W/m)	Luminous flux (lm/feet)	CRI	CCT (Kelvin)	Length (inch)
-	-	90	2700 ~ 6000	Ø 70 7/8



TT-CANOPY-02 Page 74

Power (W/m)	Luminous flux (lm/feet)	CRI	CCT (Kelvin)	Length (inch)
-	-	-	-	Ø 11



TT-CANOPY-01 Page 75

Power (W/m)	Luminous flux (lm/feet)	CRI	CCT (Kelvin)	Length (inch)
-	-	-	-	Ø 13



PRODUCT BUILDER CODE

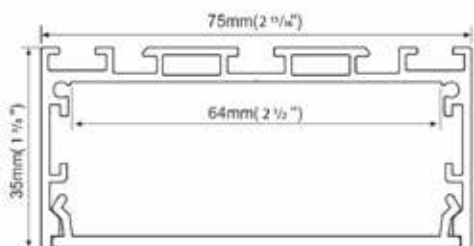
TT	PROFILE	LENGTH (inch)	LUMEN PACKAGE	COLOUR CCT	IP	VOLTAGE	LEAD IN (inch)	LEAD OUT (inch)	END CAP	CLIP	PSU
TT											
			28/6 221 lm/feet 5W/feet 28/6 H 527 lm/feet 6.25W/feet <i>*24v only</i> 28/12 456 lm/feet 9W/feet <i>*24v only</i> 35/3 45 lm/feet 1.5W/feet 35/6 120 lm/feet 3W/feet 22/15 425 lm/feet 9W/feet <i>*24v only</i> 50/3 4.5W/feet DX/24 DIGITAL DMX <i>*24V only</i>	27 2700K 30 3000K 35 3500K 40 4000K 60 6000K RE RED GR GREEN BL BLUE AM AMBER PK PINK <i>*28/6 only</i> CB CYAN <i>*28/6 only</i> OR ORANGE <i>*28/6 only</i> UV <i>*28/6 only</i> RGB <i>*50/3, 28/6 or 35/6 only</i> RGBWW <i>*50/3 only</i> RGBNW <i>*50/3 only</i> RGBCW <i>*50/3 only</i> RGBCCT <i>*50/3 only</i>	20 65 	12 24 	Hxxxx 12 inches minimum DCxxxx 12 inches minimum DCxxxx 12 inches minimum	empty No lead out Hxxxx 12 inches minimum DCxxxx 12 inches minimum	NE No end cap EC With end cap	NC No Clip xC x=QTE	n/a No psu P Plug-in CV Dimmable CV-BOX Dimmable with box CV67 IP67 psu 120V No dimmable 120v psu 347V No dimmable 347V PSU 010 0-10v PSU

For a custom color, add at the end of the manufacturer code number COLOR RAL K7. Contact your dealer about the additional cost to a special color.

TT-13-3000-O

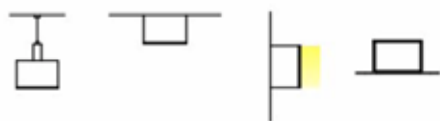


- Aluminum profile with opal acrylic.
- Designed to cover and dissipate heat of the LED strips.
- Available in lengths 3000 mm (118¹/₈ ").



Size	75mm x 35mm x 3000mm 3" x 1 ³ / ₈ " x 118 ¹ / ₈ "
Length	3000mm 118 ¹ / ₈ "
Internal width	64mm 2 ¹ / ₂ "
Cover	PC diffused

Accessories



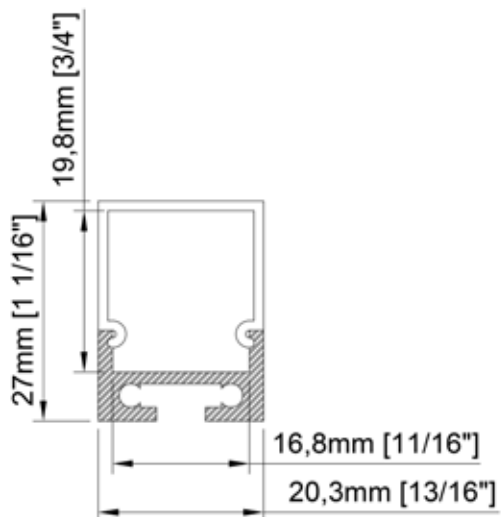
TITANIUM

TECHNOLOGY

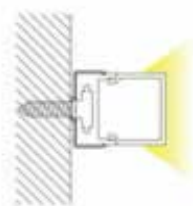
TT-15-3000-O



- Aluminum profile with opal acrylic.
- Designed to cover and dissipate heat of the LED strips.
- Available in lengths 3000 mm (118¹/₄ ").



Size	20,3mm x 27mm x 3000mm 1 ³ / ₁₆ " x 1 ¹ / ₁₆ " x 118 ¹ / ₈ "
Length	3000mm 118 ¹ / ₄ "
Internal width	16,8mm 1 ¹ / ₁₆ "
Cover	Matte opal PMMA



Accessories



TT-15-CLIP



TT-15-SUSP



TT-15-END

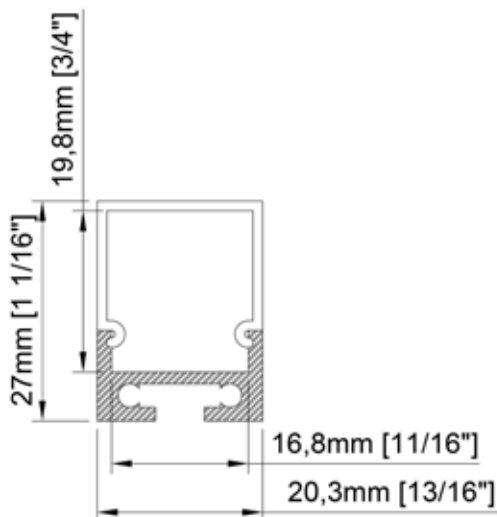
TITANIUM

TECHNOLOGY

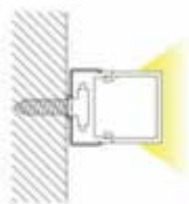
TT-15-3000-O-BK



- Aluminum profile with opal acrylic.
- Designed to cover and dissipate heat of the LED strips.
- Available in lengths 3000 mm (118¹/₄ ").



Size	20,3mm x 27mm x 3000mm 1 ³ / ₁₆ " x 1 ¹ / ₁₆ " x 118 ¹ / ₈ "
Length	3000mm 118 ¹ / ₄ "
Internal width	16,8mm 1 ¹ / ₁₆ "
Cover	Matte opal PMMA
Finish	Black



Accessories



TT-15-CLIP



TT-15-SUSP



TT-15-END-BK

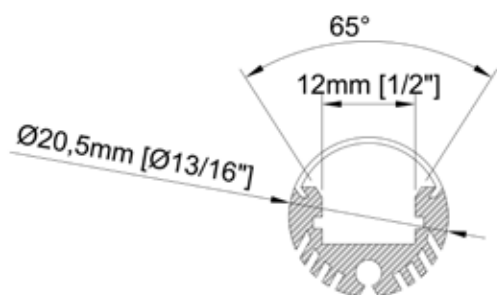
TITANIUM

TECHNOLOGY

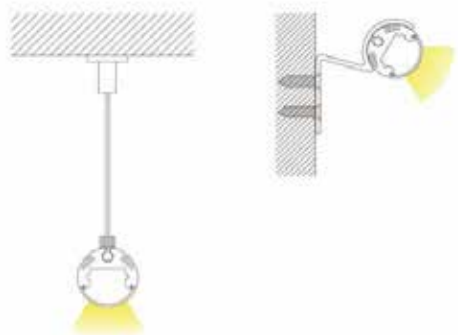
TT-20-2000-O



- Aluminum profile with white acrylic.
- Designed to cover and dissipate heat of the LED strips.
- Available in lengths 2000 mm (78³/₄ ").



Size	Ø20,5mm x 2000mm Ø1 ³ / ₁₆ " x 78 ³ / ₄ "
Lenght	2000mm 78 ³ / ₄ "
Internal width	12mm 1/2"
Cover	Matte opal PMMA



Accessories



TT-20-CLIP

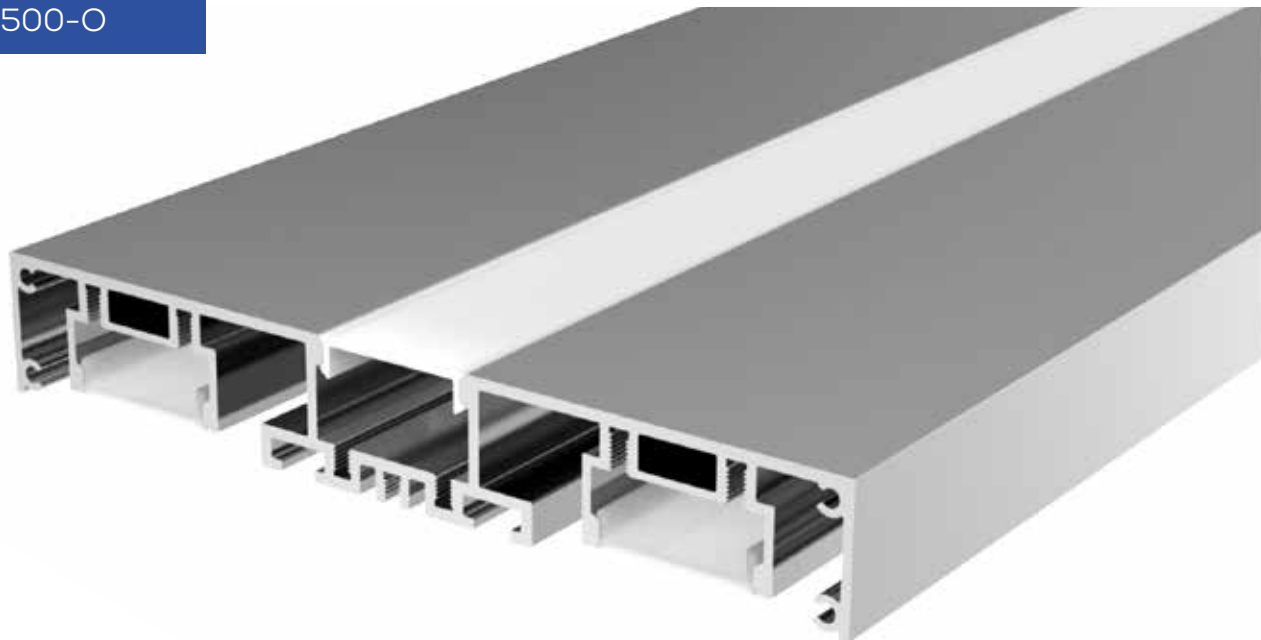


TT-20-SUSP

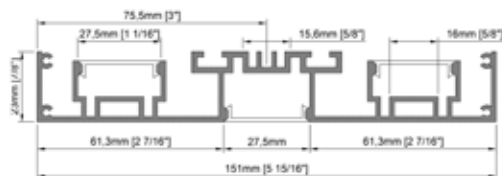


TT-20-END

TT-31-2500-O



- Aluminum profile with opal acrylic.
- Designed to cover and dissipate heat of the LED strips.
- Available in lengths 2500 mm (98³/₈").



Size	151mm x 23mm x 2500mm 5 ¹⁵ / ₁₆ " x 7/8" x 98 ³ / ₈ "
Length	2500mm 98 ³ / ₈ "
Internal width	3 x 27mm 3 x 1 ¹ / ₁₆ "
Cover	PC frosted



Accessories



TT-31-SUSP



TT-31-END

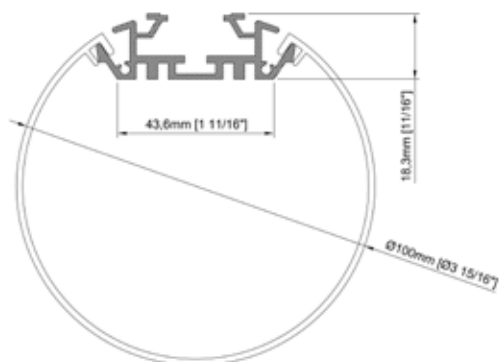
TITANIUM

TECHNOLOGY

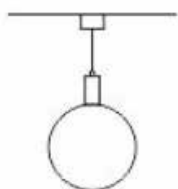
TT-37-2500-O



- Extruded aluminum with opal acrylic cylinder.
- Available in length of 2500 mm (98³/₈ ").



Size	Ø100 mm x 2500 mm 3 ¹⁵ / ₁₆ " x 98 ³ / ₈ "
Length	2500mm 98 ³ / ₈ "
Internal width	43mm 1 ¹¹ / ₁₆ "
Cover	PC diffused



Accessories



TT-37-CLIP



TT-37-SUSP



TT-37-END

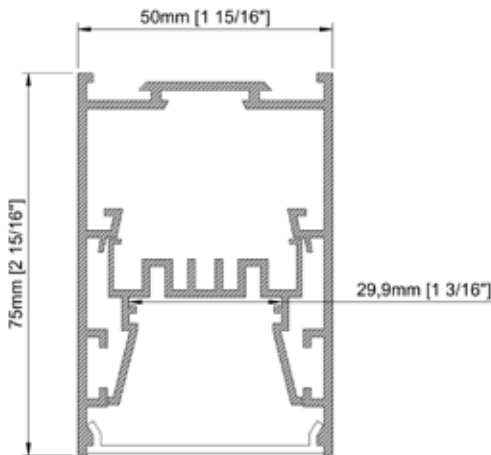
TITANIUM

TECHNOLOGY

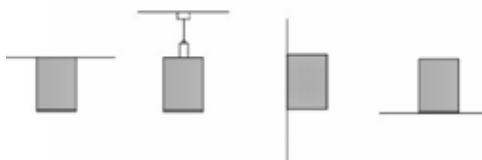
TT-46-2500-O



- Aluminum profile with opal acrylic.
- Designed to cover and dissipate heat of the LED strips.
- Available in lengths 2500 mm (98³/₈").



Size	75mm x 50mm x 2500mm 2 ¹⁵ / ₁₆ " x 1 ¹⁵ / ₁₆ " x 98 ³ / ₈ "
Length	2500mm 98 ³ / ₈ "
Internal width	29,9mm 1 ³ / ₁₆ "
Cover	PC frosted



Accessories



TT-46-CLIP



TT-46-SUSP



TT-46-SNAP



TT-46-CABLE

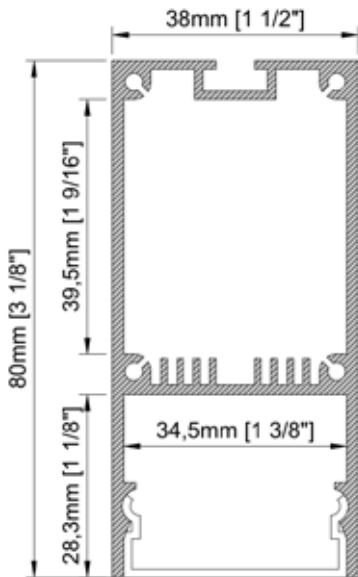


TT-46-END

TT-47-2500-O



- Aluminum profile with opal acrylic.
- Designed to cover and dissipate heat of the LED strips.
- Available in lengths 2500 mm (98³/₈").



Size	80mm x 38mm x 2500mm 3 ¹ / ₈ " x 1 ¹ / ₂ " x 98 ³ / ₈ "
Lenght	2500mm 98 ³ / ₈ "
Internal width	34,5mm 1 ³ / ₈ "
Cover	PC diffused



Accessories



TT-47-SUSP



TT-47-END

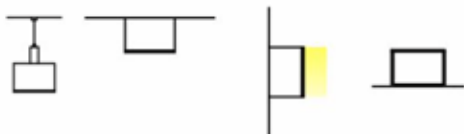
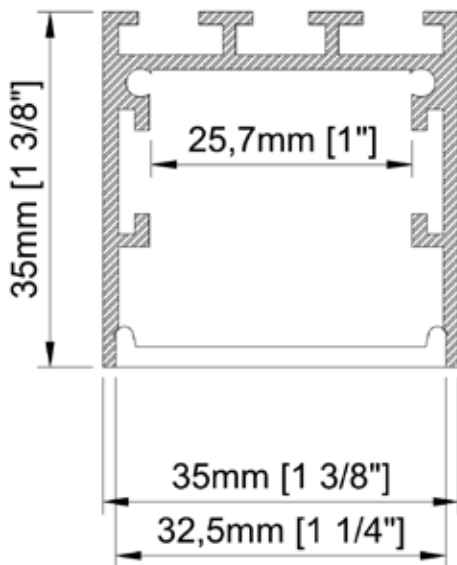
TITANIUM

TECHNOLOGY

TT-48-2500-O

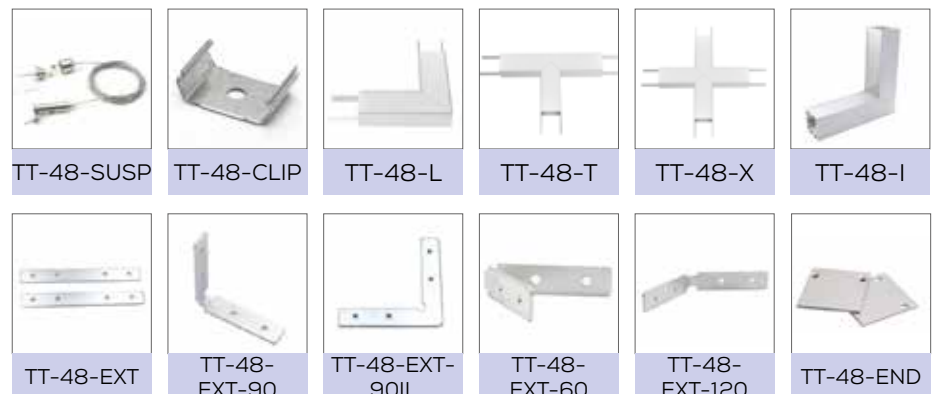


- Aluminum profile with white acrylic.
- Designed to cover and dissipate heat of the LED strips.
- Available in lengths 2500 mm (98³/₈ ").



Size	35mm x 35mm x 2500mm 1 ³ / ₈ " x 1 ³ / ₈ " x 98 ³ / ₈ "
Length	2500mm 98 ³ / ₈ "
Internal width	25,7mm 1"
Cover	PC diffused

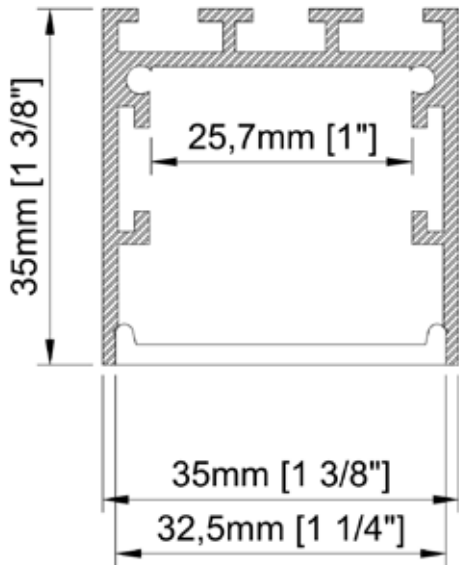
Accessories



TT-48-2500-O-BK

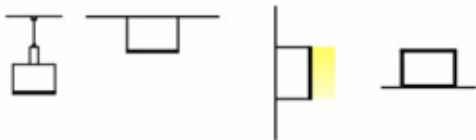
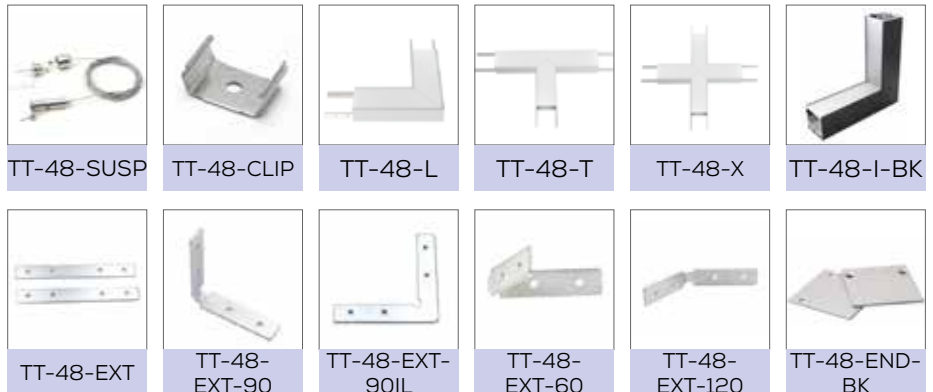


- Aluminum profile with white acrylic.
- Designed to cover and dissipate heat of the LED strips.
- Available in lengths 2500 mm (98³/₈ ").



Size	35mm x 35mm x 2500mm 1 ³ / ₈ " x 1 ³ / ₈ " x 98 ³ / ₈ "
Lenght	2500mm 98 ³ / ₈ "
Internal width	25,7mm 1"
Cover	PC diffused
Finish	BK-Black

Accessories



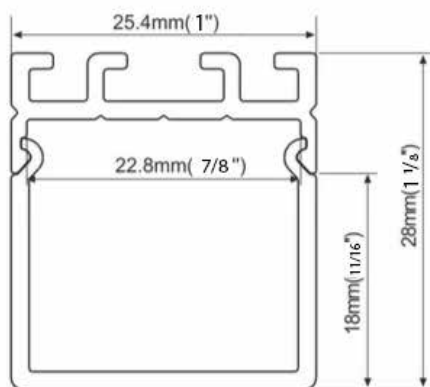
TITANIUM

TECHNOLOGY

TT-53-2000-O



- Aluminum profile with white acrylic.
- Designed to cover and dissipate heat of the LED strips.
- Available in lengths 2000 mm (78³/₄ ").

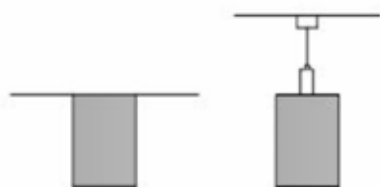


Size	25,4mm x 28mm x 2000mm 1" x 1 ¹ / ₈ " x 78 ³ / ₄ "
------	---

Lenght	2000mm 78 ³ / ₄ "
--------	--

Internal width	22,8mm 7/8"
----------------	----------------

Cover	PC diffused
-------	-------------



Accessories



TT-53-CLIP



TT-53-SUSP

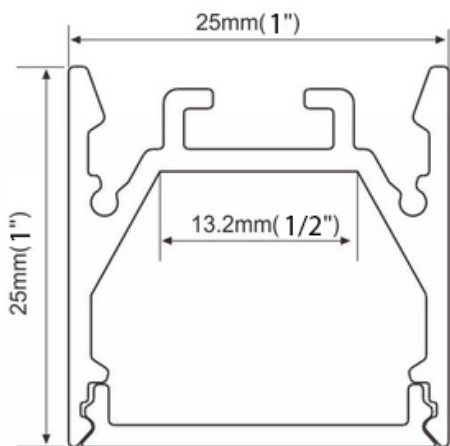


TT-53-END

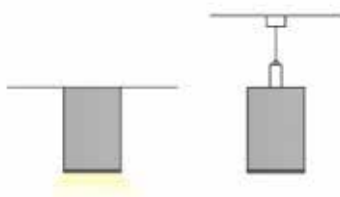
TT-54-2000-O-BK



- Aluminum profile with white acrylic.
- Designed to cover and dissipate heat of the LED strips.
- Available in lengths 2000 mm (78³/₄ ").



Size	25mm x 25mm x 2000mm 1" x 1" x 78 ³ / ₄ "
Lenght	2000mm 78 ³ / ₄ "
Internal width	13,2mm 1/2"
Cover	PC diffused



Accessories



TT-54-CLIP



TT-54-SUSP

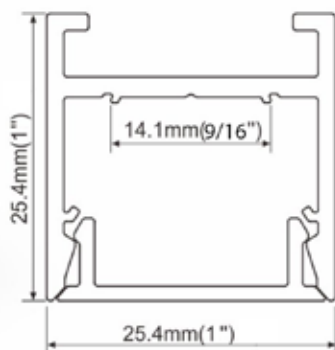
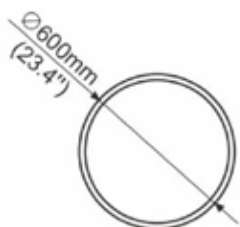
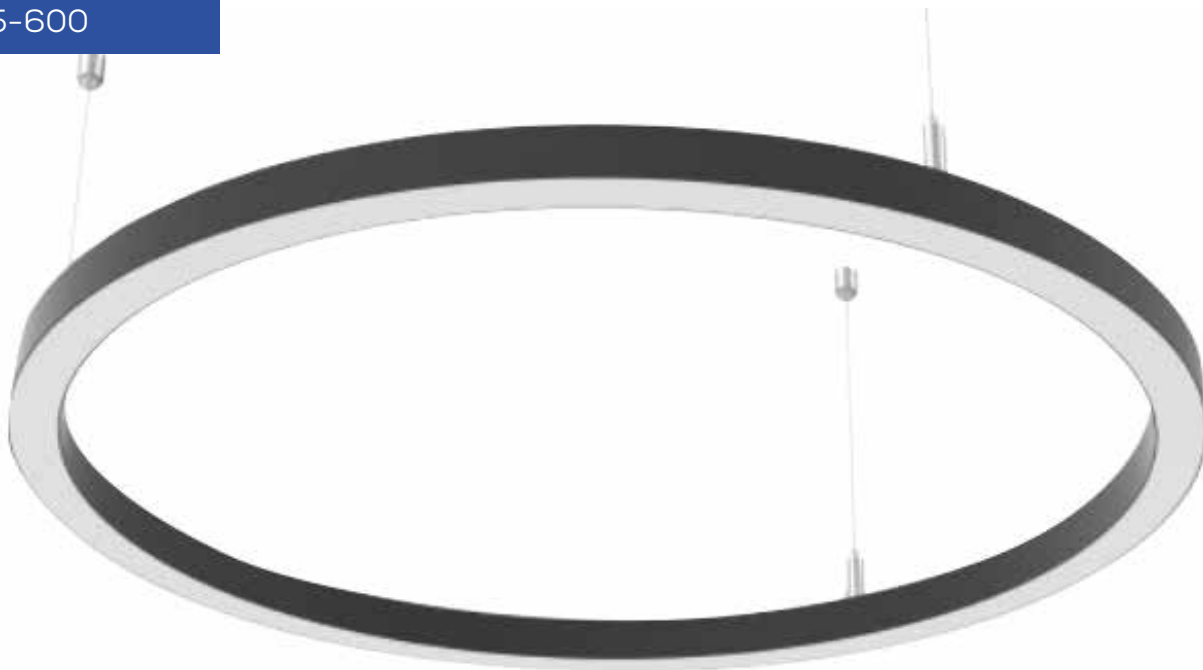


TT-54-END-BK

TITANIUM

TECHNOLOGY

TT-R25-600



Size 25,4mm x 25,4mm x Ø 600mm
1" x 1" x 23⁵/₈"

Diameter Ø 600mm
23⁵/₈"

Internal width 14,1mm
9/₁₆"

Accessories



TT-R25-LED



TT-R25-SUSP

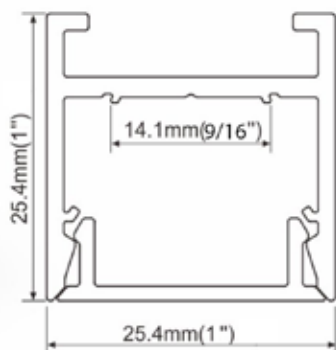
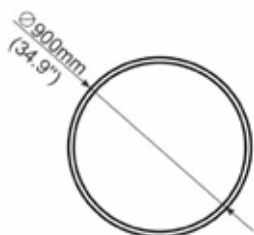
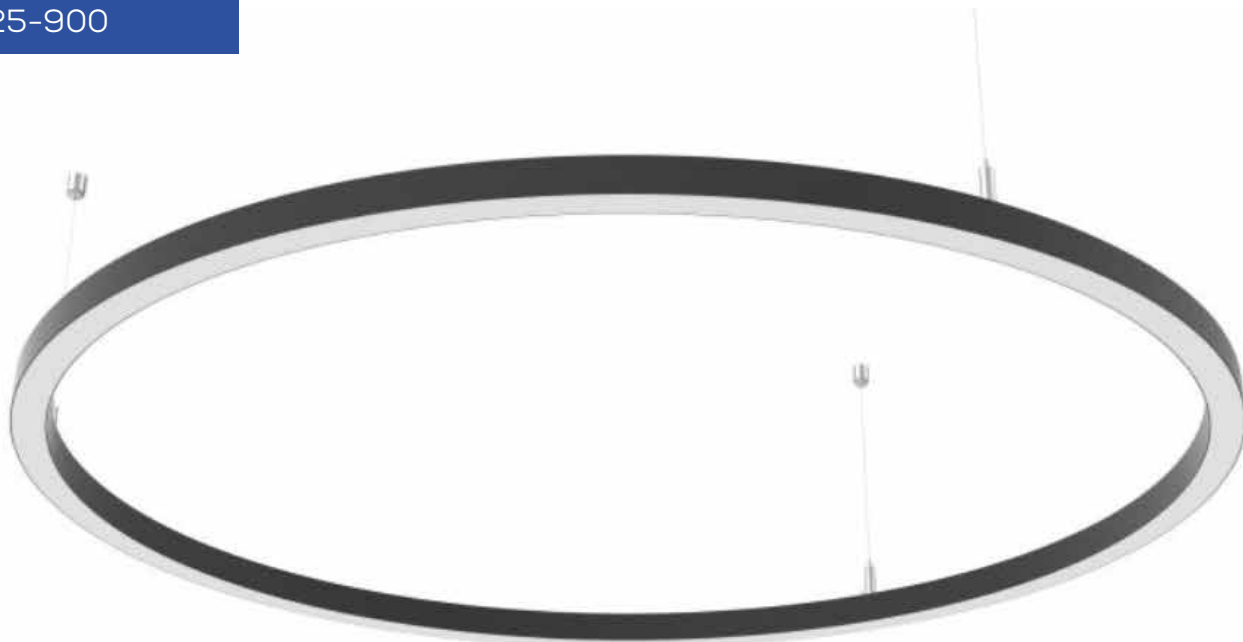


TT-R25-EXT

TITANIUM

TECHNOLOGY

TT-R25-900



Size	25,4mm x 25,4mm x Ø 900mm 1" x 1" x 35 ⁷ / ₁₆ "
Diameter	Ø 900mm 35 ⁷ / ₁₆ "
Internal width	14,1mm 9 ⁹ / ₁₆ "

Accessories



TT-R25-LED



TT-R25-SUSP

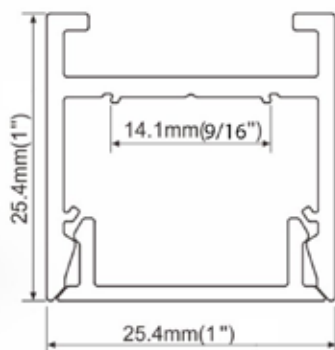
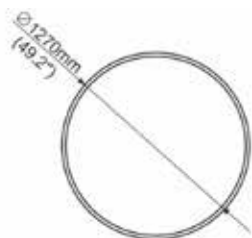
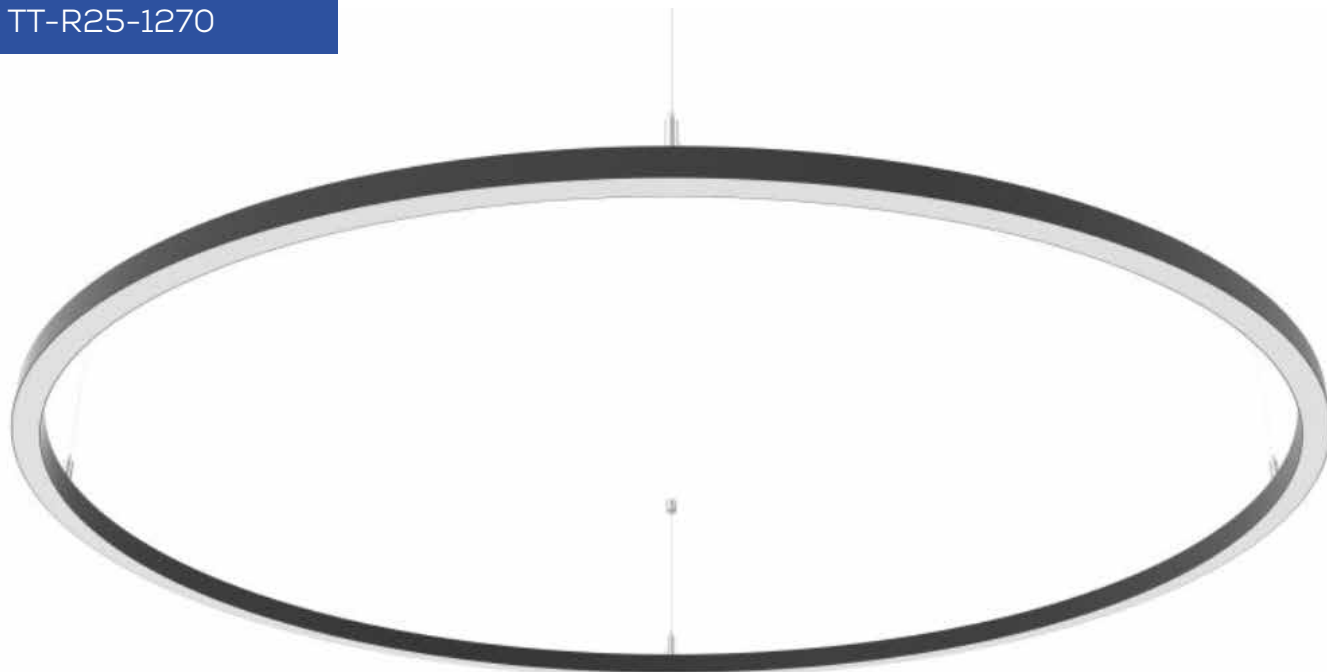


TT-R25-EXT

TITANIUM

TECHNOLOGY

TT-R25-1270



Size 25,4mm x 25,4mm x \varnothing 1270mm
1" x 1" x 50"

Diameter \varnothing 1270mm
50"

Internal width 14,1mm
 $\frac{9}{16}$ "

Accessories



TT-R25-LED



TT-R25-SUSP

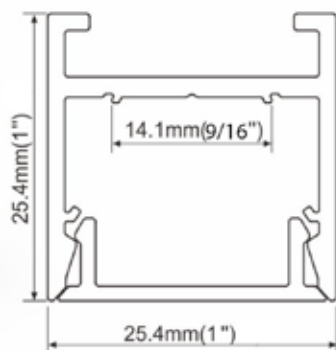
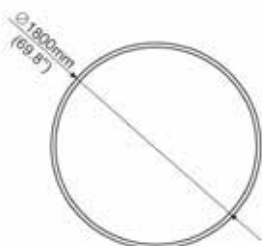
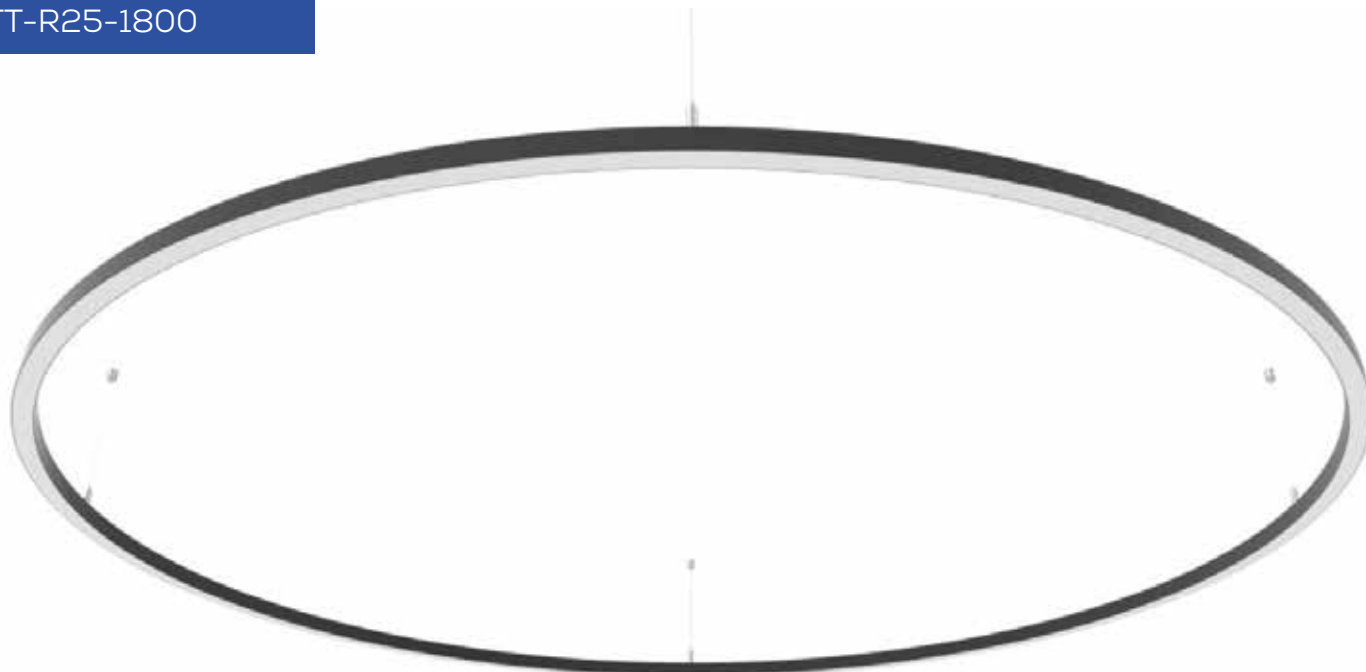


TT-R25-EXT

TITANIUM

TECHNOLOGY

TT-R25-1800



Size	25,4mm x 25,4mm x \varnothing 1800mm 1" x 1" x 70 ⁷ / ₈ "
Diameter	\varnothing 1800mm 70 ⁷ / ₈ "
Internal width	14,1mm 9/16"

Accessories



TT-R25-LED



TT-R25-SUSP

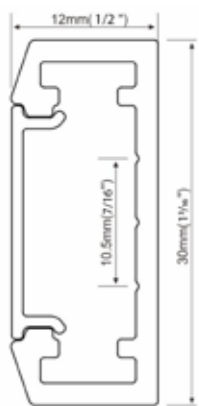
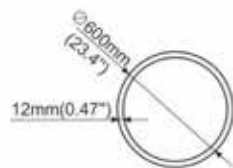
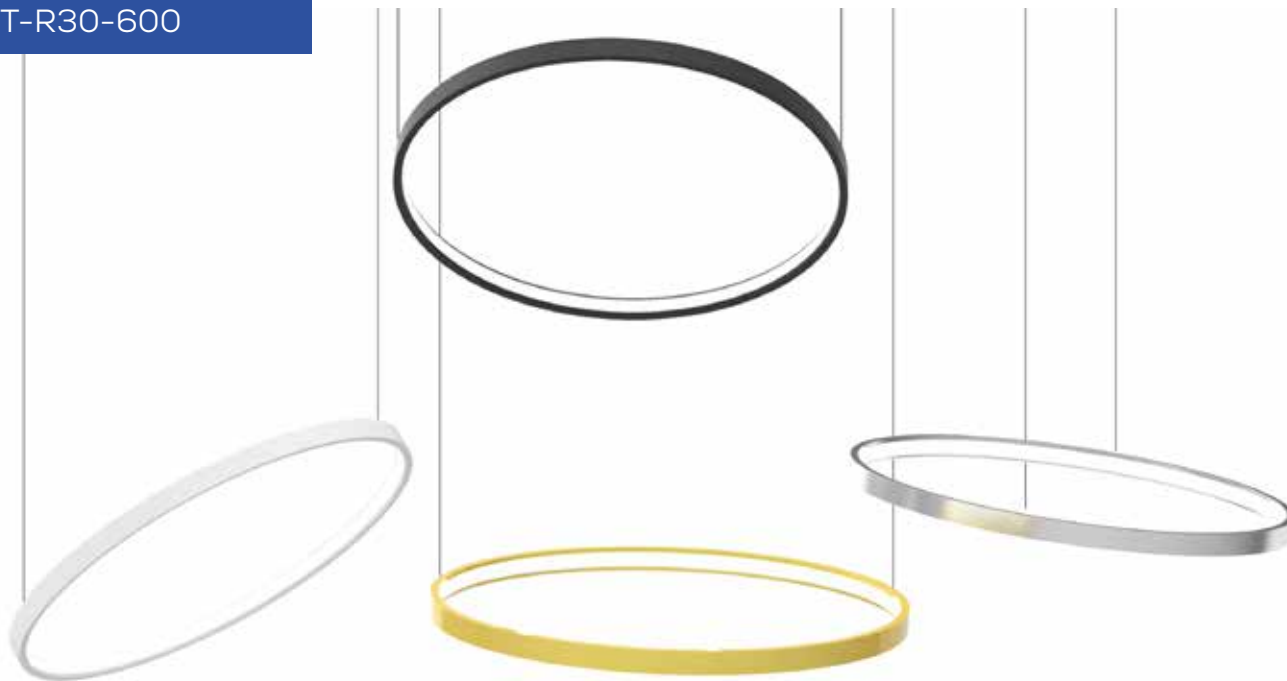


TT-R25-EXT

TITANIUM

TECHNOLOGY

TT-R30-600



Size 12mm x 30mm x Ø 600mm
 $1/2" \times 1^{3/16}" \times 23^{5/8}"$

Diameter Ø 600mm
 $23^{5/8}"$

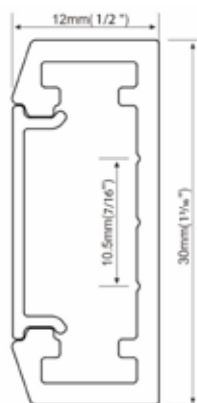
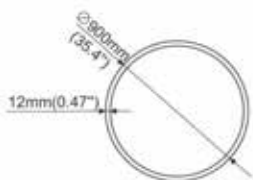
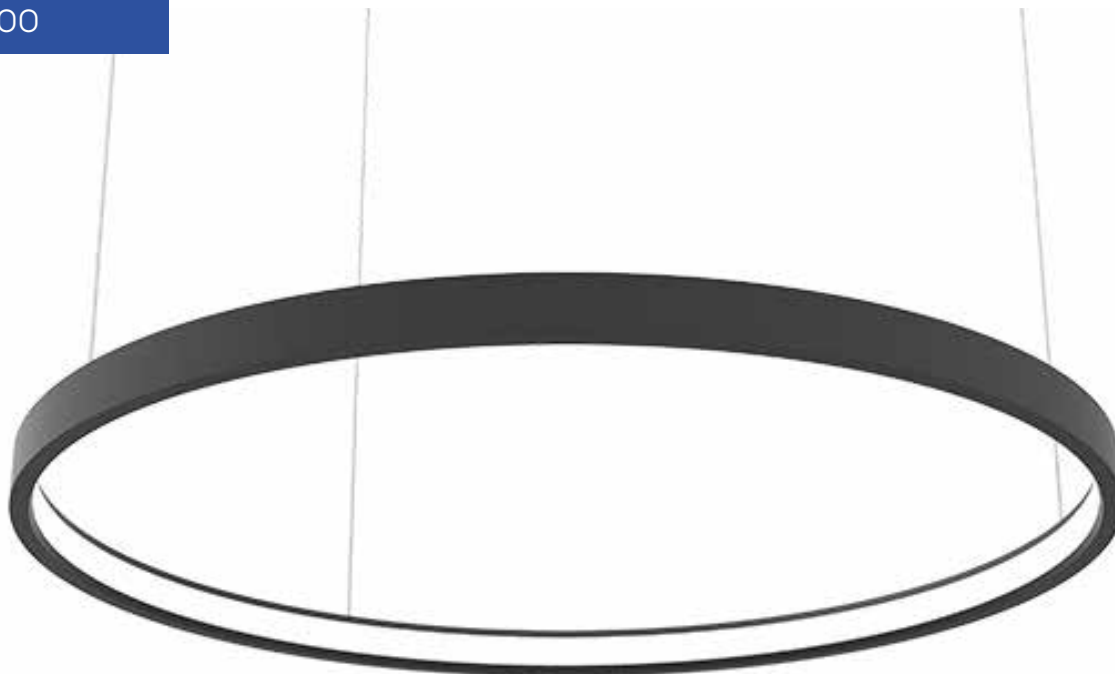
Internal width 10,5mm
 $7/16"$

Accessories



TT-R30-SUSP

TT-R30-900



Size	12mm x 30mm x Ø 900mm 1/2" x 1 3/16" x 35 7/16"
Diameter	Ø 900mm 35 7/16"
Internal width	10,5mm 7/16"

Accessories

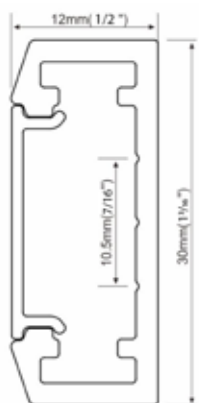
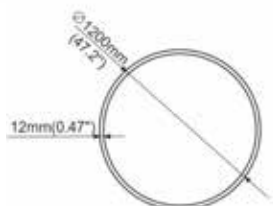
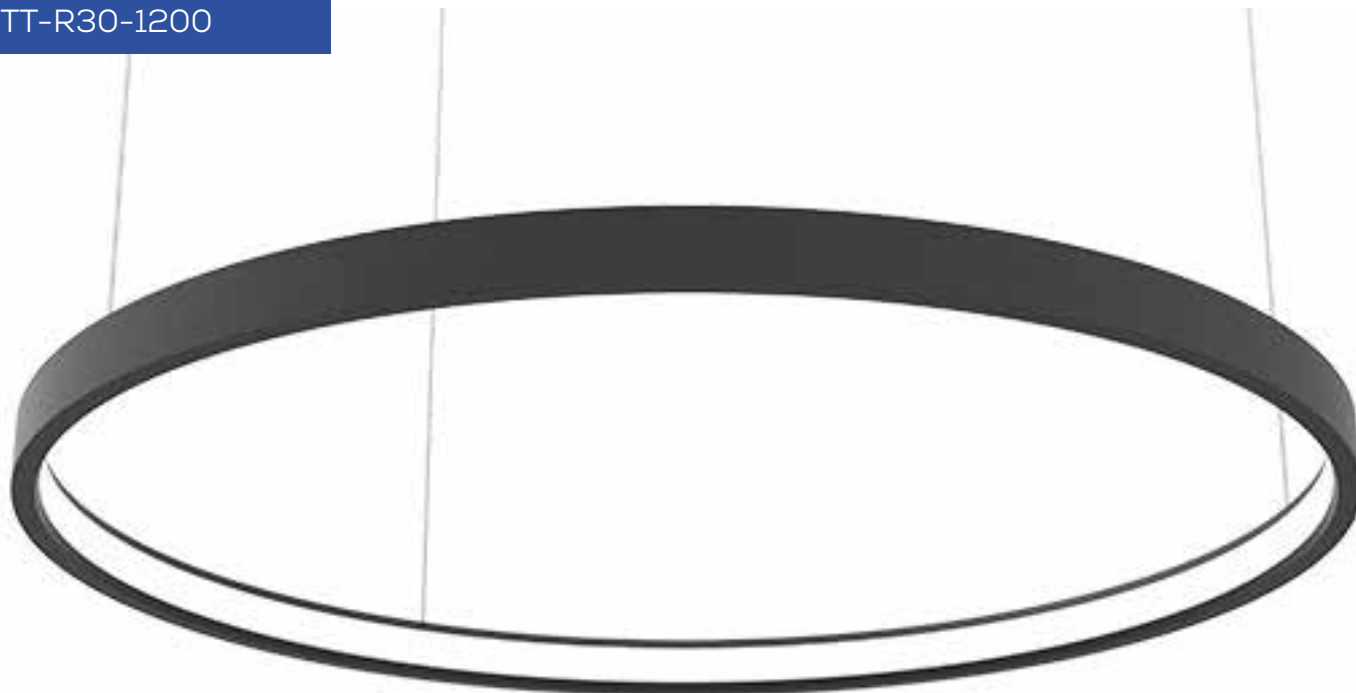


TT-R30-SUSP

TITANIUM

TECHNOLOGY

TT-R30-1200



Size 12mm x 30mm x Ø 1200mm
1/2" x 1 3/16" x 47 1/4"

Diameter Ø 1200mm
47 1/4"

Internal width 10,5mm
7/16"

Accessories

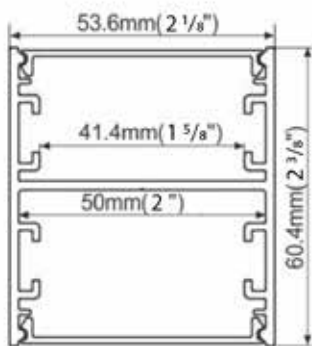
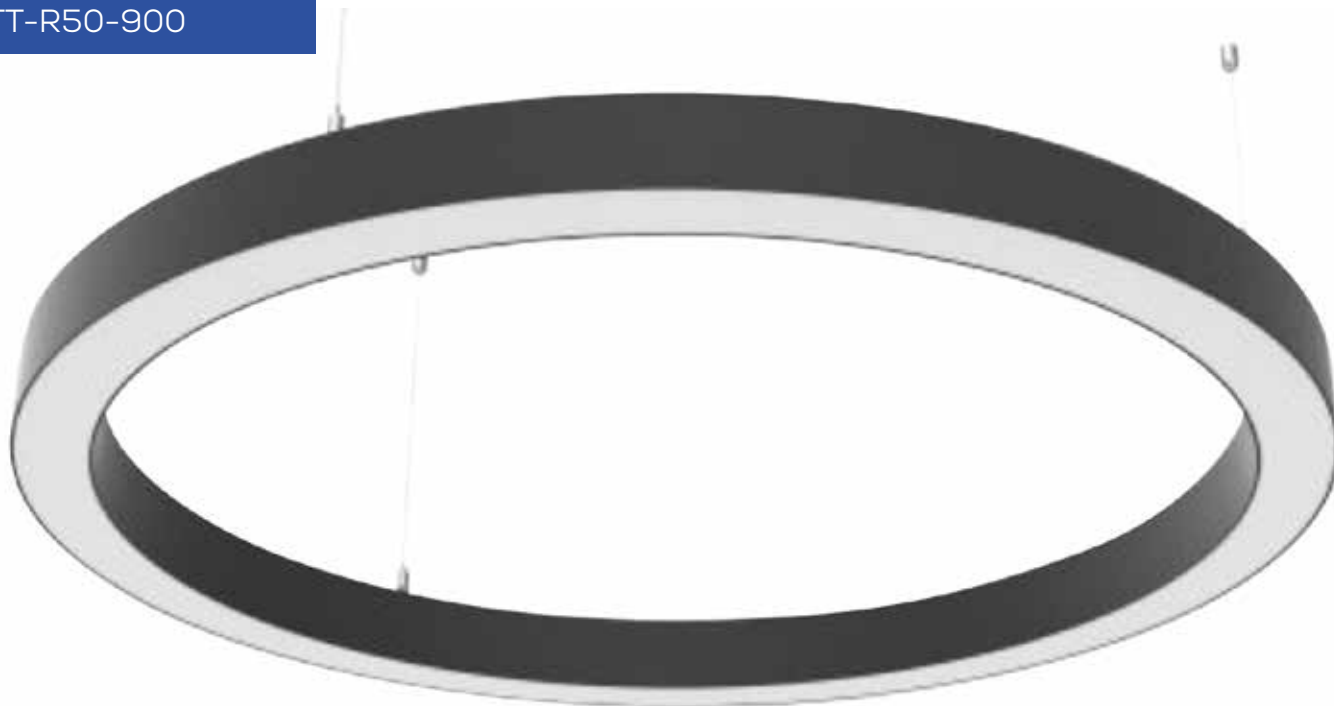


TT-R30-SUSP

TITANIUM

TECHNOLOGY

TT-R50-900



Size	53,6mm x 60,4mm x Ø 900mm 2 ¹ / ₈ " x 2 ³ / ₈ " x 35 ⁷ / ₁₆ "
Diameter	Ø 900mm 35 ⁷ / ₁₆ "
Internal width	41,1mm 1 ⁵ / ₈ "

Accessories



TT-R50-LED



TT-R50-SUSP



TT-R50-EXT

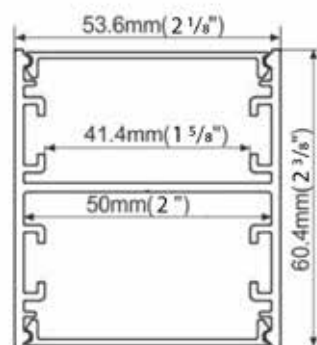
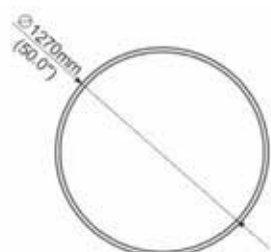


TT-R50-CLIP

TITANIUM

TECHNOLOGY

TT-R50-1270



Size	53,6mm x 60,4mm x Ø 1270mm 2 ¹ / ₈ " x 2 ³ / ₈ " x 50"
Diameter	Ø 1270mm 50"
Internal width	41,1mm 1 ⁵ / ₈ "

Accessories



TT-R50-LED



TT-R50-SUSP



TT-R50-EXT

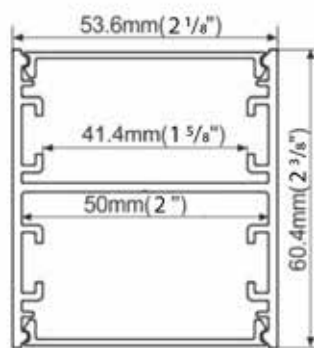
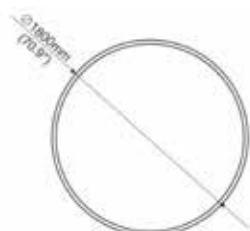
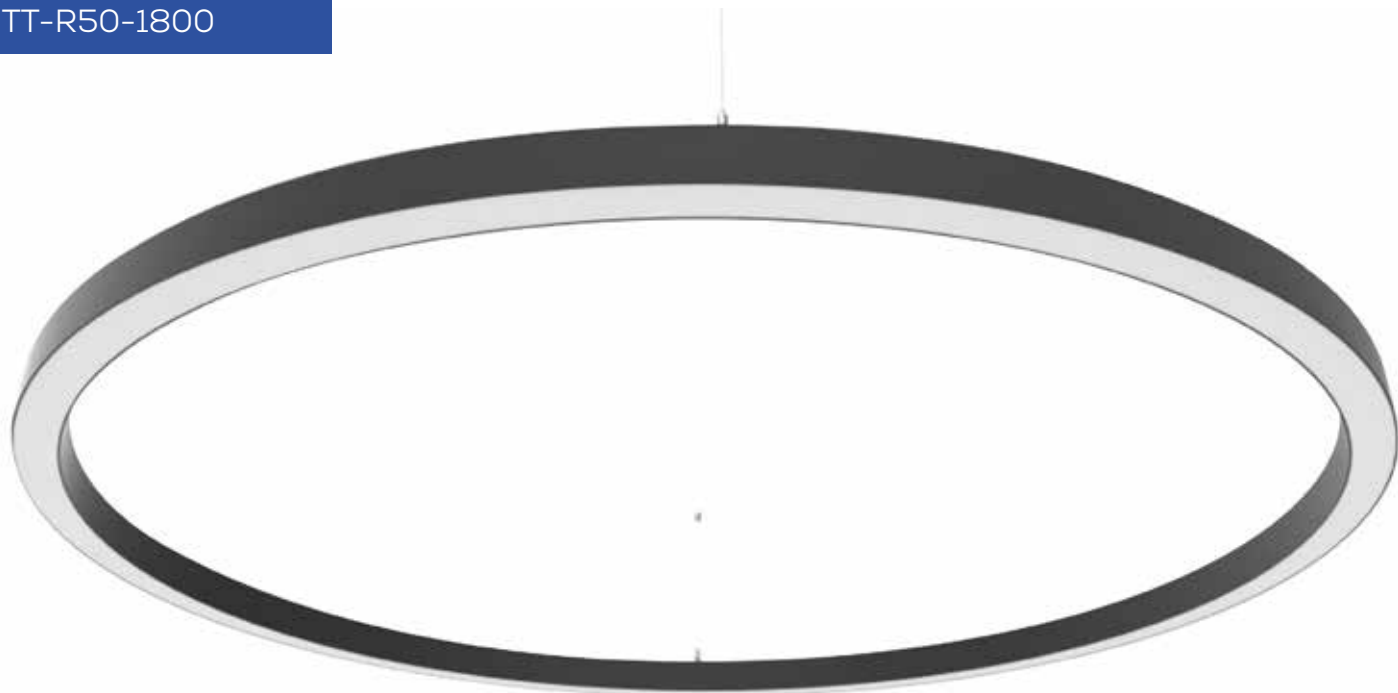


TT-R50-CLIP

TITANIUM

TECHNOLOGY

TT-R50-1800



Size	53,6mm x 60,4mm x Ø 1800mm 2 ¹ / ₈ " x 2 ³ / ₈ " x 70 ⁷ / ₈ "
Diameter	Ø 1800mm 70 ⁷ / ₈ "
Internal width	41,1mm 1 ⁵ / ₈ "

Accessories



TT-R50-LED



TT-R50-SUSP



TT-R50-EXT

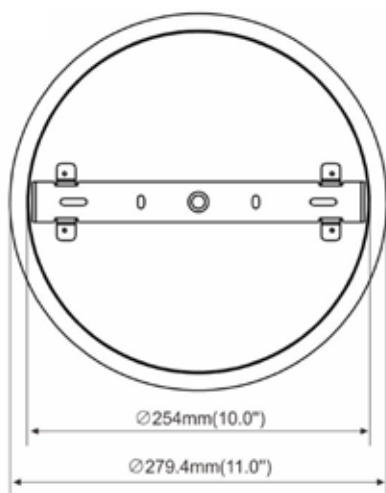
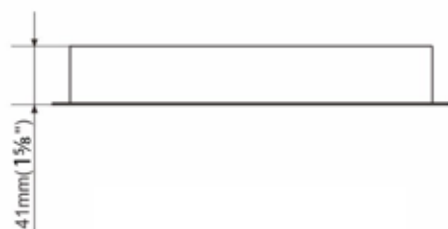


TT-R50-CLIP

TITANIUM

TECHNOLOGY

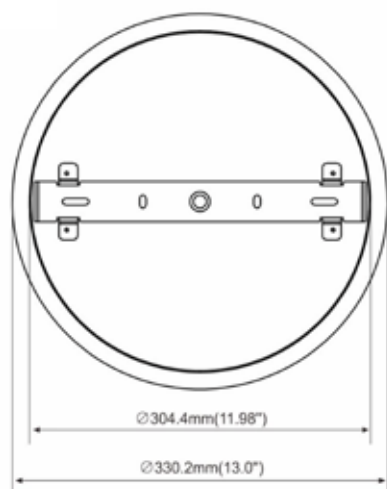
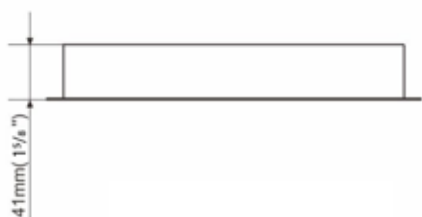
TT-CANOPY-01



Size	41mm x \varnothing 279,4mm 1 ⁵ / ₈ " x 11"
------	---

Diameter	\varnothing 279,4mm 11"
----------	------------------------------

Internal width	254mm 10"
----------------	--------------



Size	41mm x Ø 330,2mm 1 5/8" x 13"
Diameter	Ø 330,2mm 13"
Internal width	Ø 304,4mm 12"

BLACK SHADOW SERIES



Credit photo: Cuisines Simard



TT-55-3000-BK Page 79

Power (W/m)	Luminous flux (lm/feet)	CRI	CCT (Kelvin)	Length (inch)
5,9 ~ 34	38 ~ 600	90	2700 ~ 6000	1 ~ 118



TT-56-3000-BK Page 80

Power (W/m)	Luminous flux (lm/feet)	CRI	CCT (Kelvin)	Length (inch)
5,9 ~ 34	38 ~ 600	90	2700 ~ 6000	1 ~ 118



TT-57-3000-BK Page 81

Power (W/m)	Luminous flux (lm/feet)	CRI	CCT (Kelvin)	Length (inch)
5,9 ~ 34	38 ~ 600	90	2700 ~ 6000	1 ~ 118



TT-58-3000-BK Page 82

Power (W/m)	Luminous flux (lm/feet)	CRI	CCT (Kelvin)	Length (inch)
5,9 ~ 34	38 ~ 600	90	2700 ~ 6000	1 ~ 118



TT-59-3000-BK Page 83

Power (W/m)	Luminous flux (lm/feet)	CRI	CCT (Kelvin)	Length (inch)
5,9 ~ 34	38 ~ 600	90	2700 ~ 6000	1 ~ 118



TT-60-3000-BK Page 84

Power (W/m)	Luminous flux (lm/feet)	CRI	CCT (Kelvin)	Length (inch)
5,9 ~ 34	38 ~ 600	90	2700 ~ 6000	1 ~ 118



TT-61-3000-BK Page 85

Power (W/m)	Luminous flux (lm/feet)	CRI	CCT (Kelvin)	Length (inch)
5,9 ~ 34	38 ~ 600	90	2700 ~ 6000	1 ~ 118



TT-62-3000-BK Page 86

Power (W/m)	Luminous flux (lm/feet)	CRI	CCT (Kelvin)	Length (inch)
5,9 ~ 34	38 ~ 600	90	2700 ~ 6000	1 ~ 118



TT-63-3000-BK Page 87

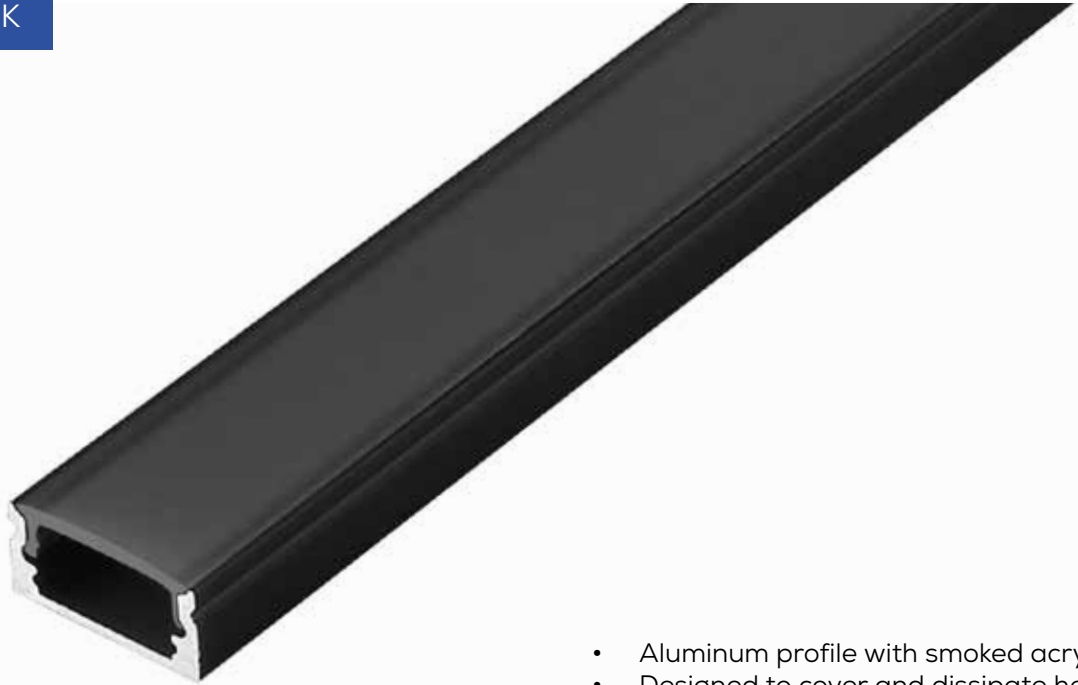
Power (W/m)	Luminous flux (lm/feet)	CRI	CCT (Kelvin)	Length (inch)
5,9 ~ 34	38 ~ 600	90	2700 ~ 6000	1 ~ 118



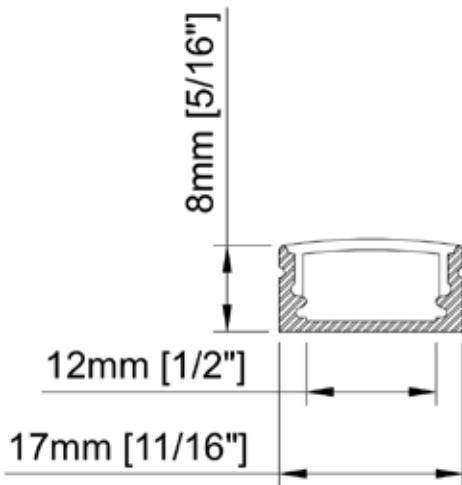
TITANIUM

TECHNOLOGY

TT-55-3000-O-BK



- Aluminum profile with smoked acrylic.
- Designed to cover and dissipate heat of the LED strips.
- Available in lengths 3000 mm (118¹/₈").



Size	17mm x 8mm x 3000mm 1 ¹ / ₁₆ " x 5/ ₁₆ " x 118 ¹ / ₈ "
Lenght	3000mm 118 ¹ / ₈ "
Internal width	12mm 1/2"
Cover	Smoked Matte opal PMMA Clear PMMA PC difuser
Finish	BK-Black

Accessories



TT-55-CLIP



TT-55-END

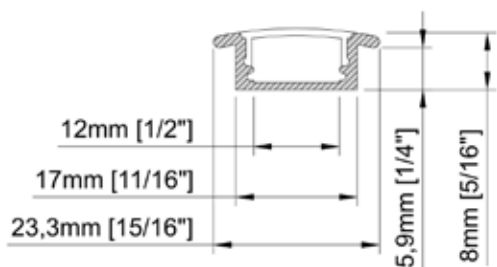
TITANIUM

TECHNOLOGY

TT-56-3000-O-BK



- Aluminum profile with smoked acrylic.
- Designed to cover and dissipate heat of the LED strips.
- Available in lengths 3000 mm (118¹/₈").



Size 23,3mm x 8mm x 3000mm
¹⁵/₁₆" x ⁵/₁₆" x 118¹/₈"

Lenght 3000mm
118¹/₈"

Internal width 12mm
¹/₂"

Cover Smoked
Matte opal PMMA
Clear PMMA
PC difuser

Finish BK-Black

Accessories

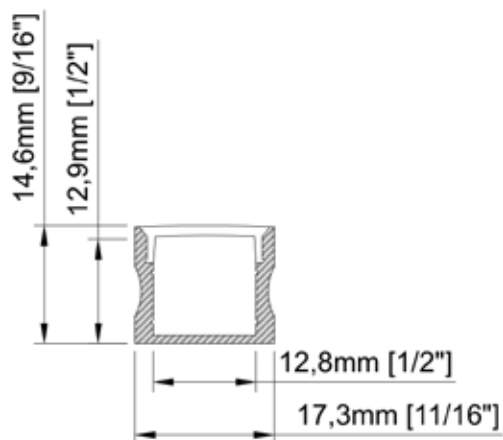


TT-56-CLIP

TT-57-3000-O-BK



- Aluminum profile with smoked acrylic.
- Designed to cover and dissipate heat of the LED strips.
- Available in lengths 3000 mm (118¹/₈").



Size	17mm x 14,6mm x 3000mm 1 ¹ / ₁₆ " x 9 ⁹ / ₁₆ " x 118 ¹ / ₈ "
Lenght	3000mm 118 ¹ / ₈ "
Internal width	12,8mm 1/2"
Cover	Smoked Matte opal PMMA Clear PMMA PC difuser
Finish	BK-Black

Accessories



TT-57-CLIP

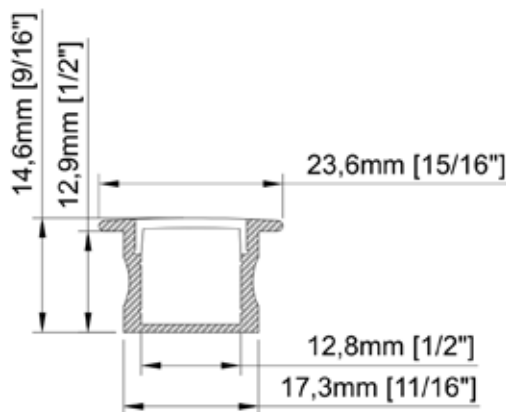


TT-57-END

TT-58-3000-O-BK



- Aluminum profile with smoked acrylic.
- Designed to cover and dissipate heat of the LED strips.
- Available in lengths 3000 mm (118¹/₈").



Size	23,6mm x 14,6mm x 3000mm $1\frac{5}{16}'' \times \frac{9}{16}'' \times 118\frac{1}{8}''$
Lenght	3000mm $118\frac{1}{8}''$
Internal width	12,8mm $\frac{1}{2}''$
Cover	Smoked Matte opal PMMA Clear PMMA PC difuser
Finish	BK-Black

Accessories



TT-58-END

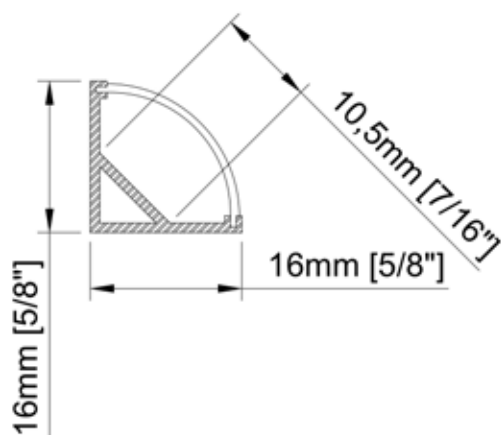
TITANIUM

TECHNOLOGY

TT-59-3000-O-BK



- Aluminum profile with smoked acrylic.
- Designed to cover and dissipate heat of the LED strips.
- Available in lengths 3000 mm (118¹/₈").



Size	16mm x 16mm x 3000mm 5/8" x 5/8" x 118 ¹ / ₈ "
Lenght	3000mm 118 ¹ / ₈ "
Internal width	10,5mm 7/16"
Cover	Smoked Matte opal PMMA Clear PMMA PC difuser
Finish	BK-Black

Accessories



TT-59-CLIP

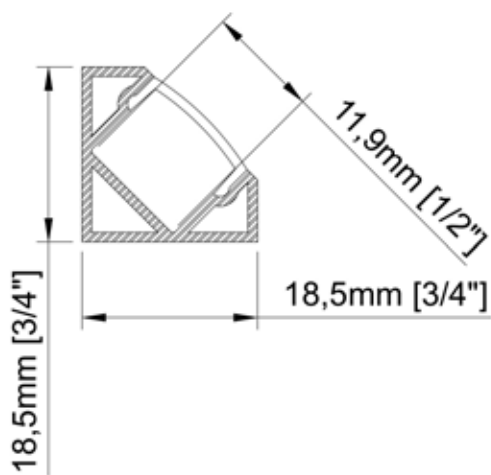


TT-59-END

TT-60-3000-O-BK



- Aluminum profile with smoked acrylic.
- Designed to cover and dissipate heat of the LED strips.
- Available in lengths 3000 mm (118¹/₈").



Size	18,5mm x 18,5mm x 3000mm 3/4" x 3/4" x 118 ¹ / ₈ "
Lenght	3000mm 118 ¹ / ₈ "
Internal width	11,9mm 1/2"
Cover	Smoked Matte opal PMMA Clear PMMA PC difuser
Finish	BK-Black

Accessories



TT-60-CLIP

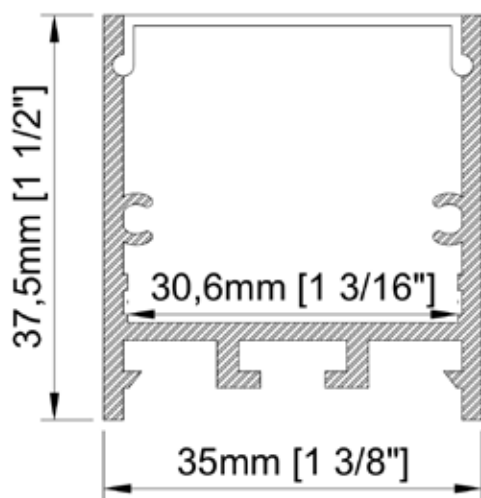


TT-60-END

TT-61-3000-O-BK



- Aluminum profile with smoked acrylic.
- Designed to cover and dissipate heat of the LED strips.
- Available in lengths 3000 mm (118¹/₈").



Size	35mm x 37,5mm x 3000mm 1 ³ / ₈ " x 1 ¹ / ₂ " x 118 ¹ / ₈ "
Lenght	3000mm 118 ¹ / ₈ "
Internal width	30,6mm 1 ³ / ₁₆ "
Cover	Smoked PC diffused
Finish	BK-Black

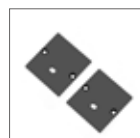
Accessories



TT-61-CLIP



TT-61-SUSP

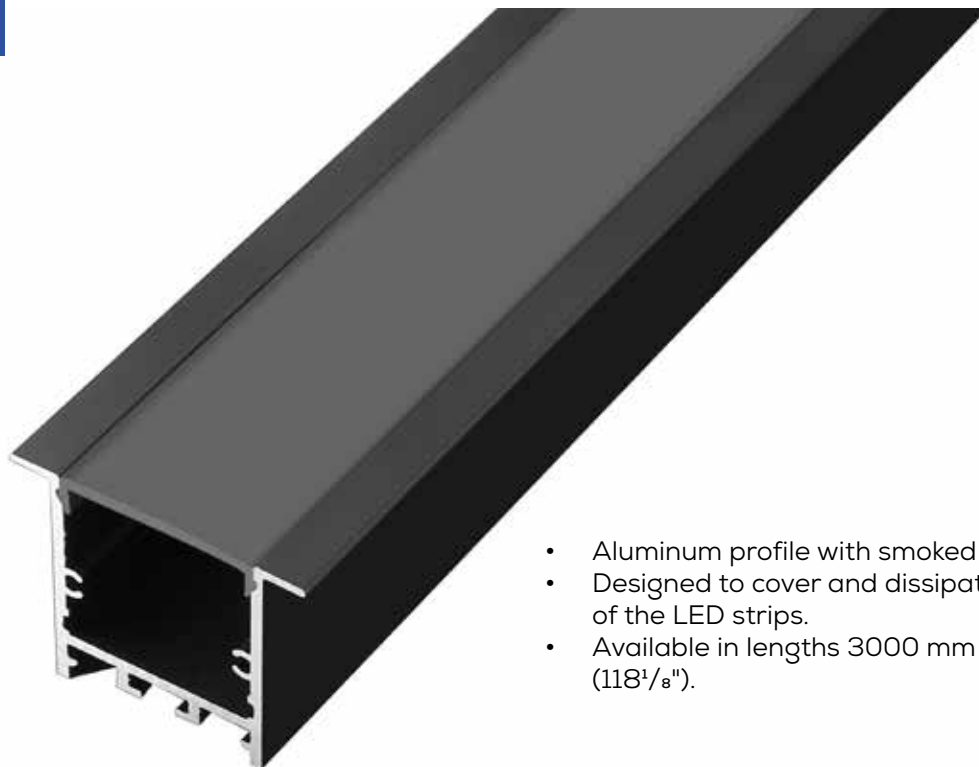


TT-61-END

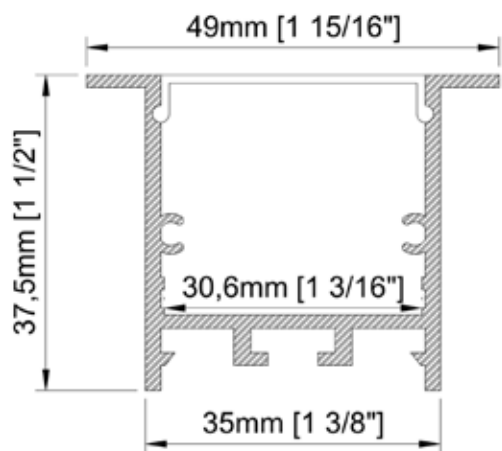
TITANIUM

TECHNOLOGY

TT-62-3000-O-BK



- Aluminum profile with smoked acrylic.
- Designed to cover and dissipate heat of the LED strips.
- Available in lengths 3000 mm (118¹/₈").



Size	49mm x 37,5mm x 3000mm 1 ¹⁵ / ₁₆ " x 1 ¹ / ₂ " x 118 ¹ / ₈ "
Lenght	3000mm 118 ¹ / ₈ "
Internal width	30,6mm 1 ³ / ₁₆ "
Cover	Smoked PC diffused
Finish	BK-Black

Accessories



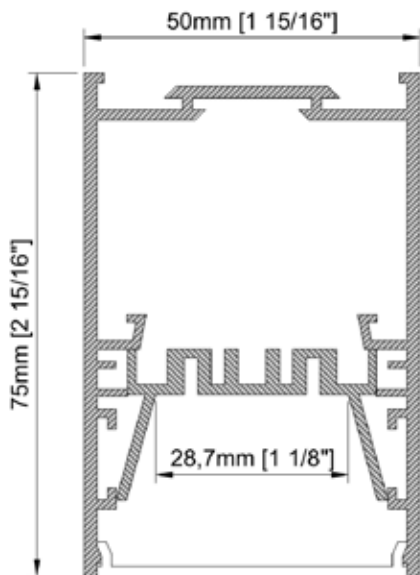
TT-62-SNAP



TT-62-END

TT-63-3000-O-BK

- Aluminum profile with smoked acrylic.
- Designed to cover and dissipate heat of the LED strips.
- Available in lengths 3000 mm (118¹/₈").



Size	50mm x 75mm x 3000mm 1 ¹⁵ / ₁₆ " x 2 ¹⁵ / ₁₆ " x 118 ¹ / ₈ "
Lenght	3000mm 118 ¹ / ₈ "
Internal width	28,7mm 1 ¹ / ₈ "
Cover	Smoked PC diffused
Finish	BK-Black

Accessories



TT-63-CLIP



TT-63-SUSP



TT-63-SNAP

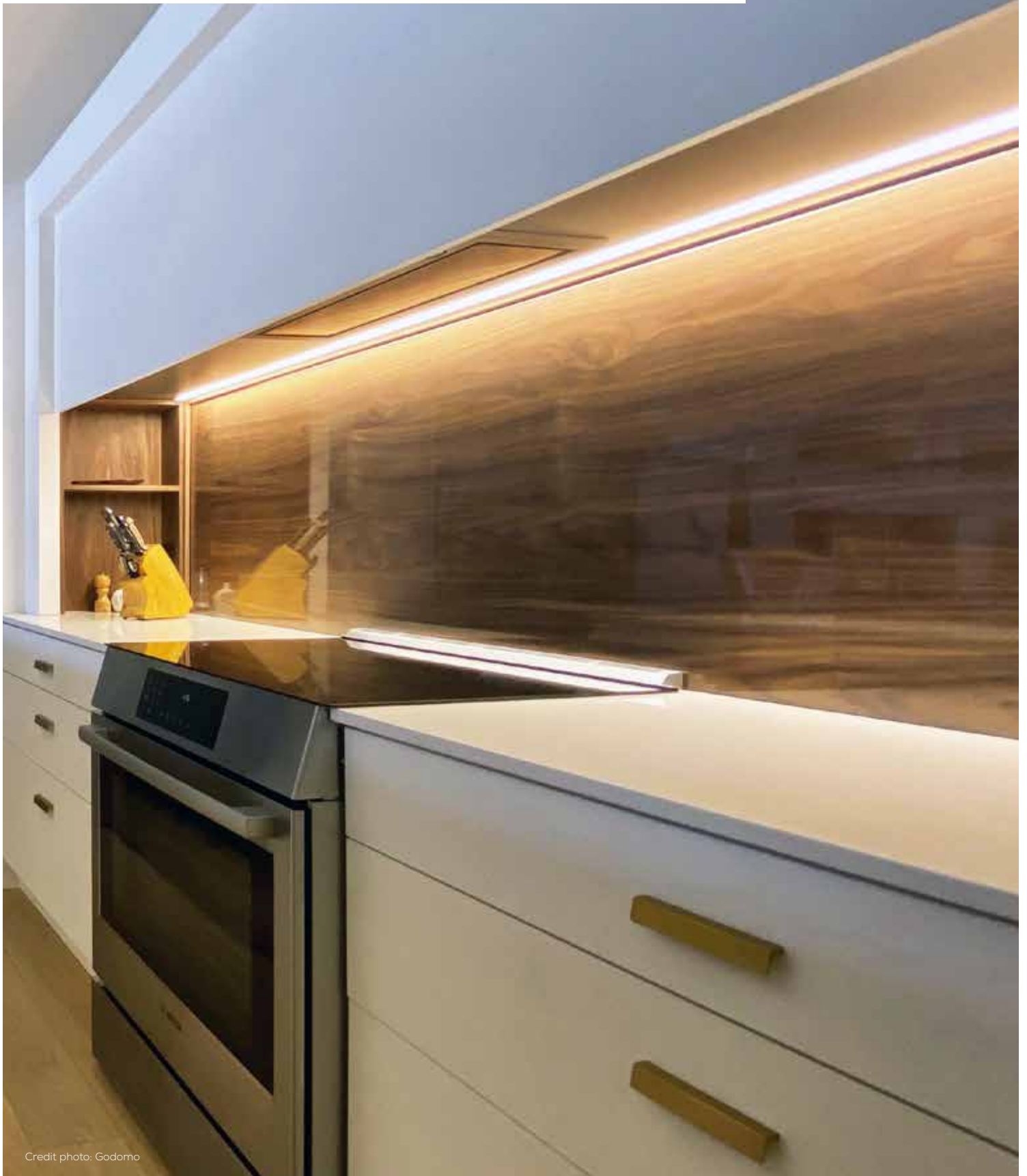


TT-63-CABLE



TT-63-END

TRIM-LESS MUD-IN



Credit photo: Godomo



Power (W/m)	Luminous flux (lm/feet)	CRI	CCT (Kelvin)	Length (inch)
5,9 ~ 34	38 ~ 600	90	2700 ~ 6000	1 ~ 118

TT-26-3000 Page 91



Power (W/m)	Luminous flux (lm/feet)	CRI	CCT (Kelvin)	Length (inch)
5,9 ~ 34	38 ~ 600	90	2700 ~ 6000	1 ~ 118

TT-27-3000 Page 92



Power (W/m)	Luminous flux (lm/feet)	CRI	CCT (Kelvin)	Length (inch)
5,9 ~ 34	38 ~ 600	90	2700 ~ 6000	1 ~ 118

TT-28-3000 Page 93



Power (W/m)	Luminous flux (lm/feet)	CRI	CCT (Kelvin)	Length (inch)
5,9 ~ 34	38 ~ 600	90	2700 ~ 6000	1 ~ 118

TT-29-3000 Page 94



Power (W/m)	Luminous flux (lm/feet)	CRI	CCT (Kelvin)	Length (inch)
5,9 ~ 34	38 ~ 600	90	2700 ~ 6000	1 ~ 118

TT-33-2000 Page 95



Power (W/m)	Luminous flux (lm/feet)	CRI	CCT (Kelvin)	Length (inch)
5,9 ~ 34	38 ~ 600	90	2700 ~ 6000	1 ~ 118

TT-34-2000 Page 96



Power (W/m)	Luminous flux (lm/feet)	CRI	CCT (Kelvin)	Length (inch)
5,9 ~ 34	38 ~ 600	90	2700 ~ 6000	1 ~ 118

TT-36-2000 Page 97



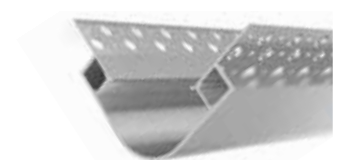
Power (W/m)	Luminous flux (lm/feet)	CRI	CCT (Kelvin)	Length (inch)
5,9 ~ 34	38 ~ 600	90	2700 ~ 6000	1 ~ 118

TT-41-2000 Page 98

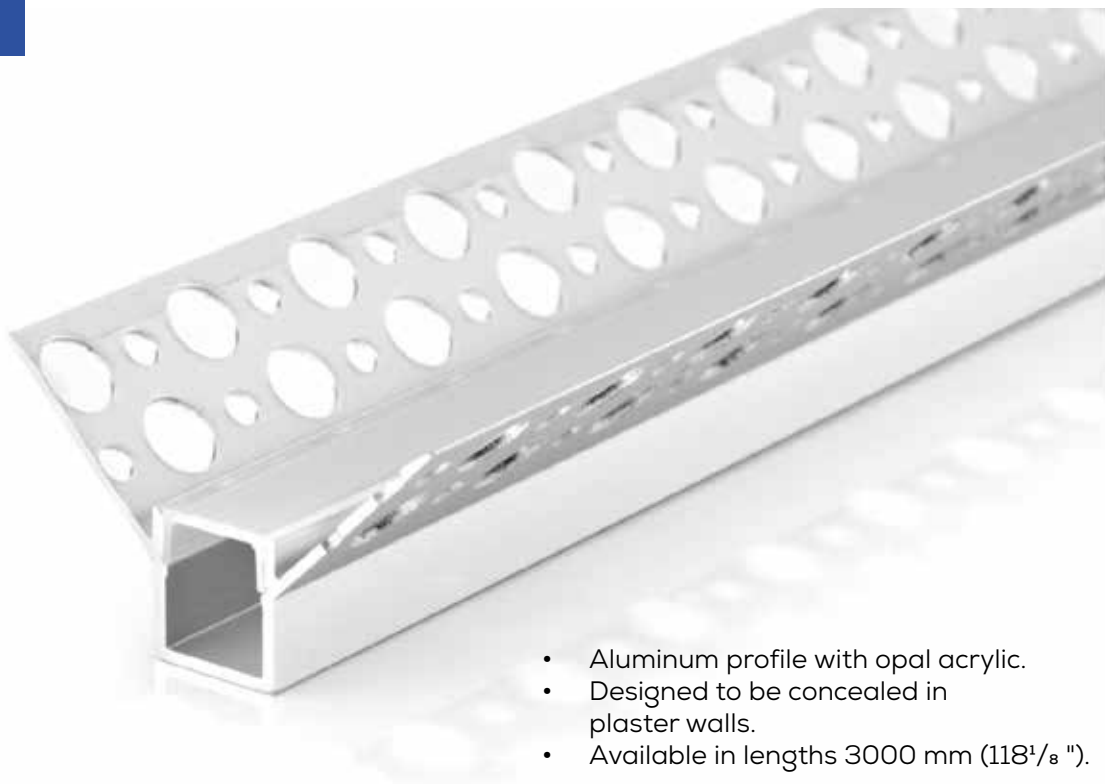


Power (W/m)	Luminous flux (lm/feet)	CRI	CCT (Kelvin)	Length (inch)
5,9 ~ 34	38 ~ 600	90	2700 ~ 6000	1 ~ 118

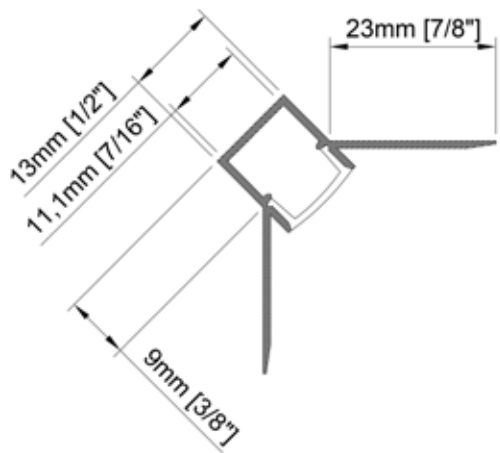
TT-72-2000 Page 99



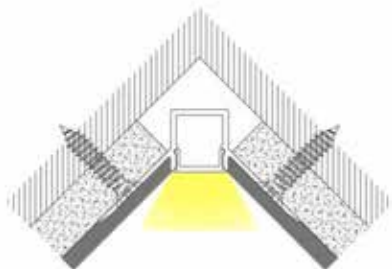
TT-26-3000-O



- Aluminum profile with opal acrylic.
- Designed to be concealed in plaster walls.
- Available in lengths 3000 mm (118¹/₈ ").



Size	13mm x 14mm x 3000mm ³ / ₈ " x ⁹ / ₁₆ " x 118 ¹ / ₈ "
Lenght	3000 mm 118 ¹ / ₈ "
Internal width	11,1mm ⁷ / ₁₆ "
Cover	PC diffused



Accessories

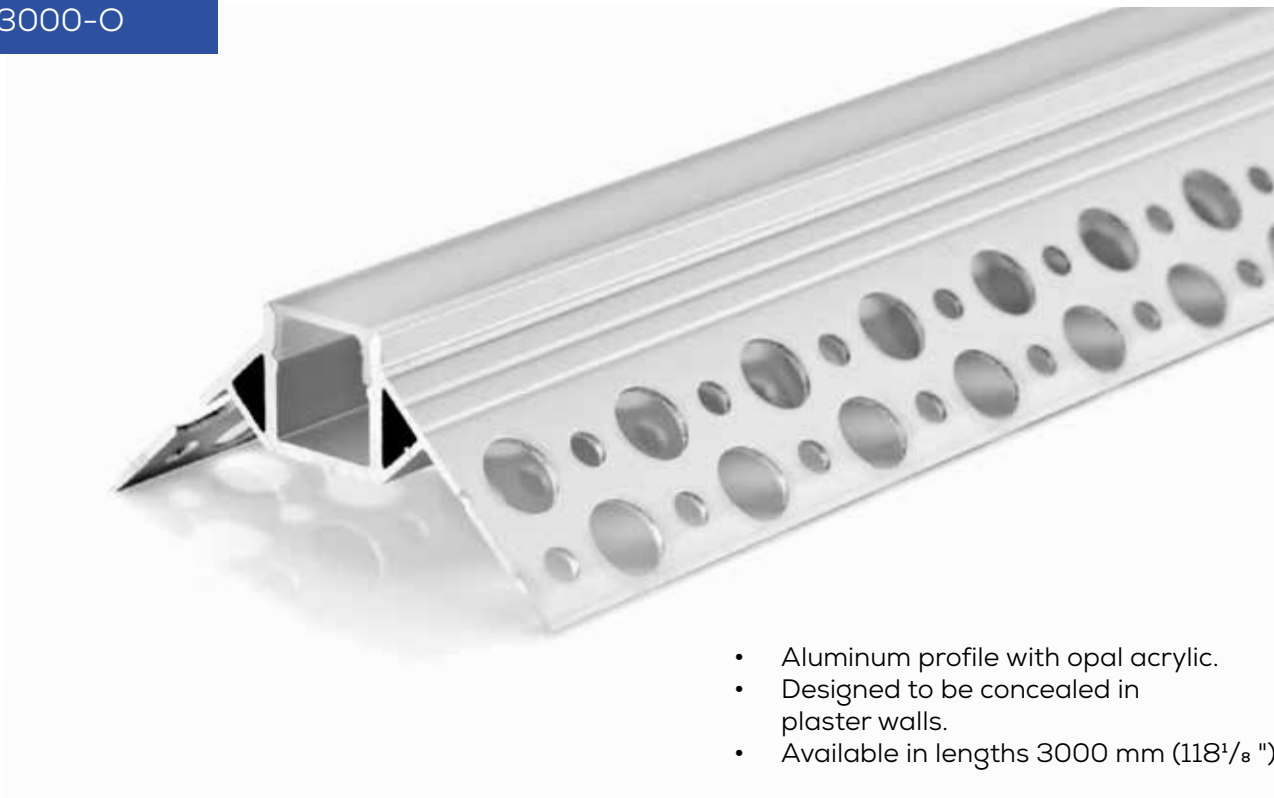


TT-26-END

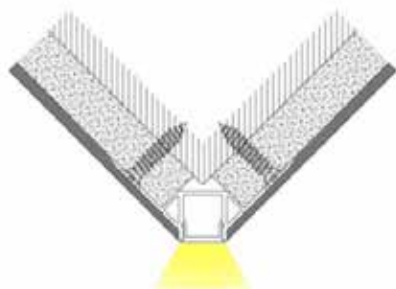
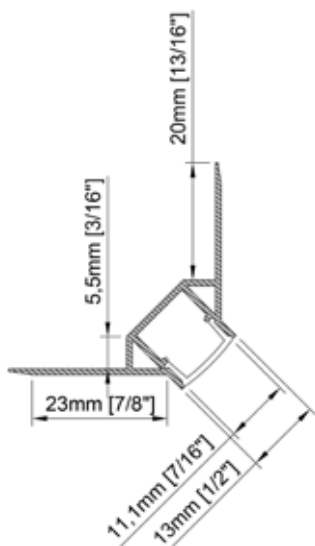
TITANIUM

TECHNOLOGY

TT-27-3000-O



- Aluminum profile with opal acrylic.
- Designed to be concealed in plaster walls.
- Available in lengths 3000 mm (118¹/₈ ").



Size	13mm x 14mm x 3000mm $\frac{3}{8}$ " x $\frac{9}{16}$ " x 118 ¹ / ₈ "
Length	3000 mm 118 ¹ / ₈ "
Internal width	11,1mm $\frac{7}{16}$ "
Cover	PC diffused

Accessories



TT-27-END

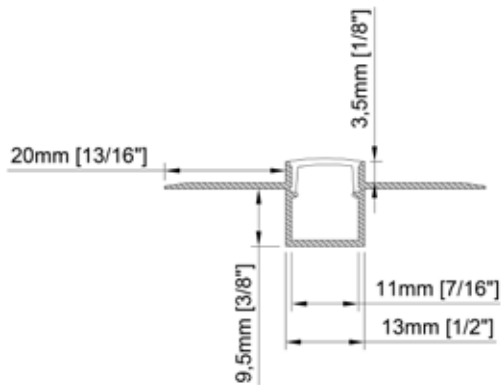
TITANIUM

TECHNOLOGY

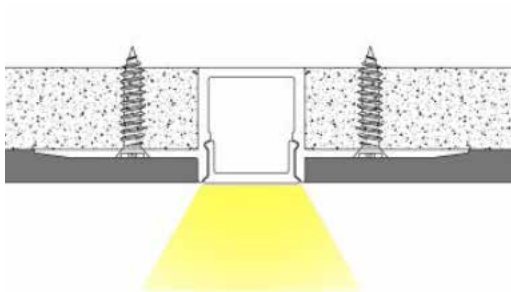
TT-28-3000-O



- Aluminum profile with opal acrylic.
- Designed to be concealed in plaster walls.
- Available in lengths 3000 mm (118¹/₈ ").



Size	13mm x 14mm x 3000mm ³ / ₈ " x ⁹ / ₁₆ " x 118 ¹ / ₈ "
Lenght	3000 mm 118 ¹ / ₈ "
Internal width	11,1mm ⁷ / ₁₆ "
Cover	PC diffused



Accessories

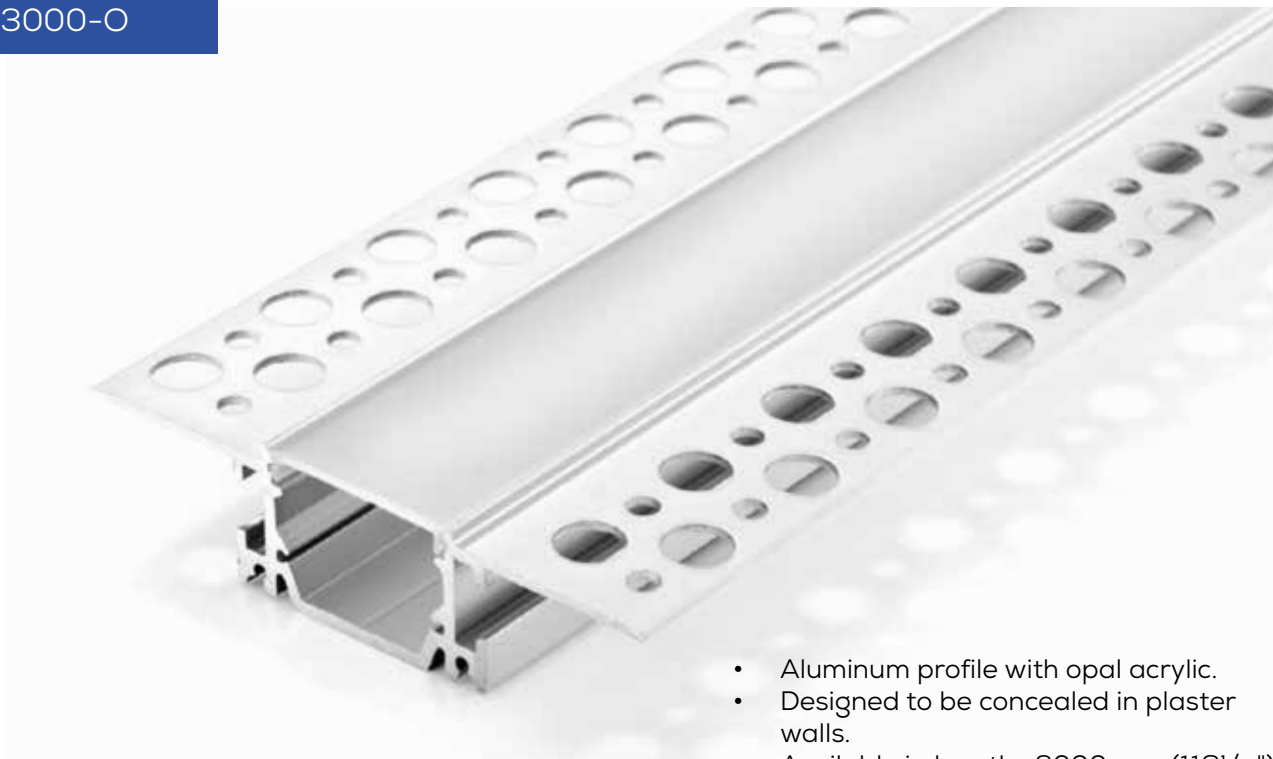


TT-28-END

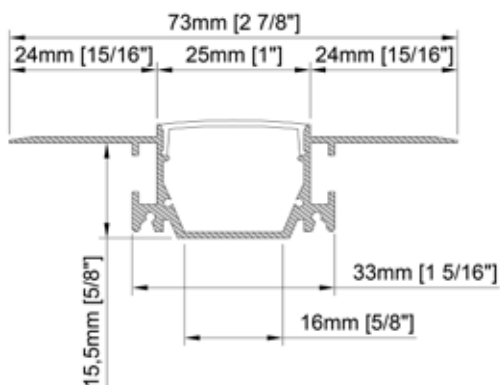
TITANIUM

TECHNOLOGY

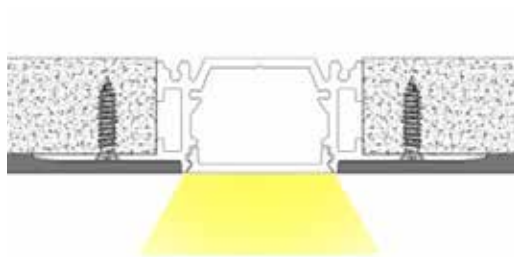
TT-29-3000-O



- Aluminum profile with opal acrylic.
- Designed to be concealed in plaster walls.
- Available in lengths 3000 mm (118¹/₈ ").



Size	25mm x 18,5mm x 3000mm $\frac{3}{8}'' \times \frac{3}{4}'' \times 118\frac{1}{8}''$
Lenght	3000 mm 118 ¹ / ₈ ''
Internal width	16mm $\frac{5}{8}''$
Cover	PC diffused

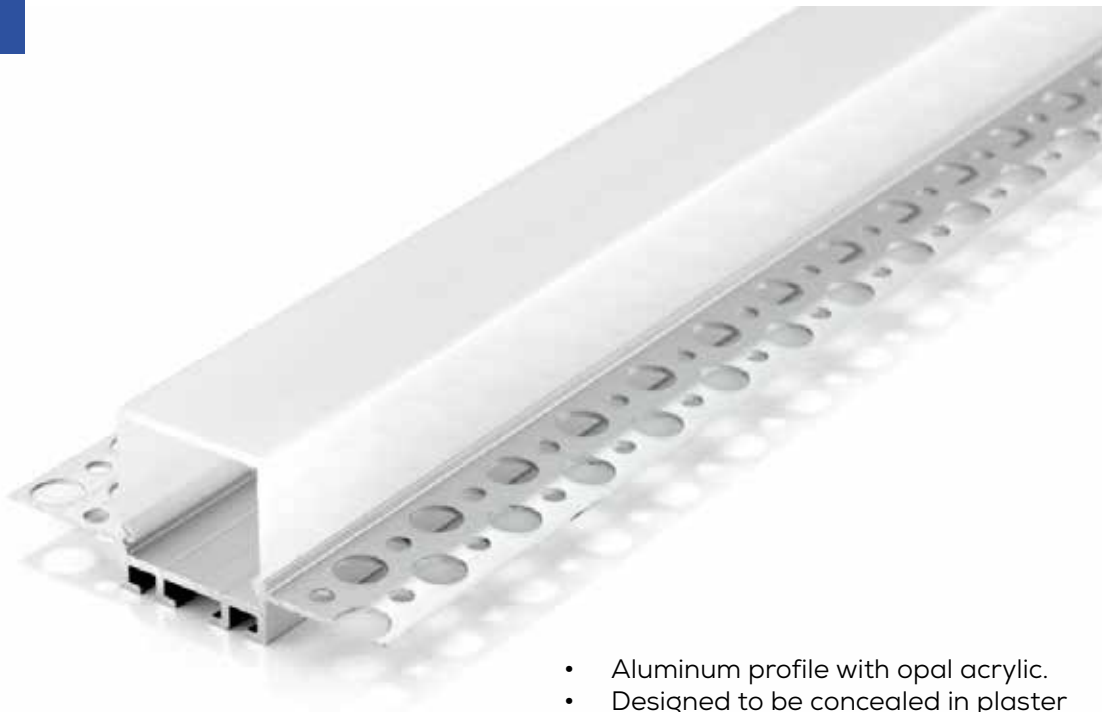


Accessories

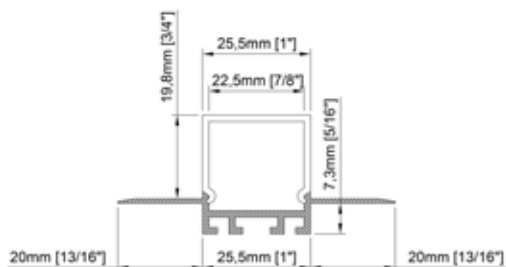


TT-29-END

TT-33-2000-O



- Aluminum profile with opal acrylic.
- Designed to be concealed in plaster walls.
- Available in lengths 2000 mm (78³/₄ ").



Size	25,5mm x 28mm x 2000mm 1" x 1 ¹ / ₈ " x 78 ³ / ₄ "
Lenght	2000mm 78 ³ / ₄ "
Internal width	22,5mm 7/8"
Cover	PC diffused

Accessories

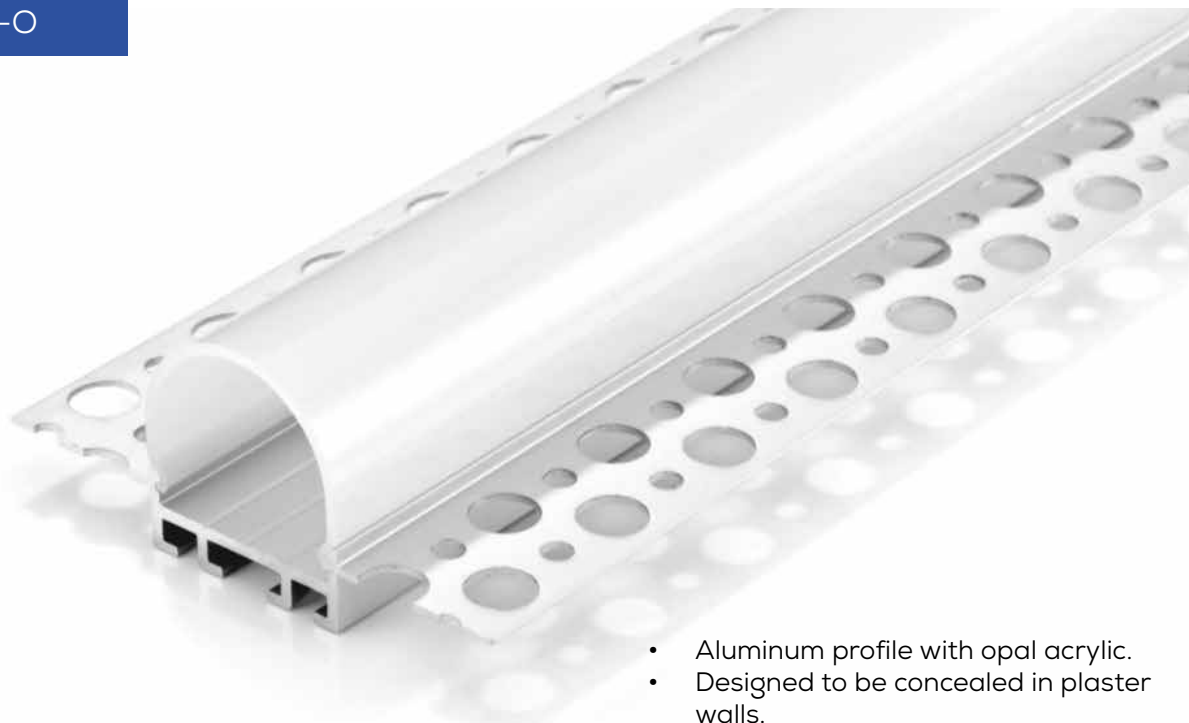


TT-33-END

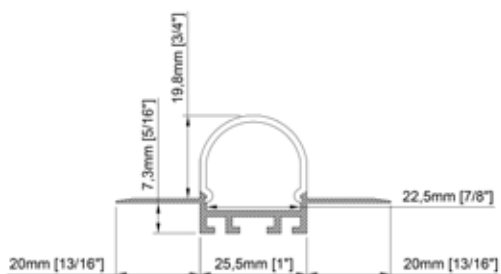
TITANIUM

TECHNOLOGY

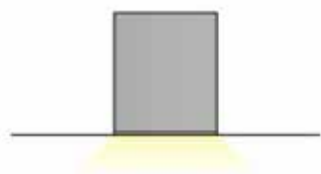
TT-34-2000-O



- Aluminum profile with opal acrylic.
- Designed to be concealed in plaster walls.
- Available in lengths 2000 mm (78³/₄ ").



Size	25,5mm x 28mm x 2000mm 1" x 1 ¹ / ₈ " x 78 ³ / ₄ "
Lenght	2000mm 78 ³ / ₄ "
Internal width	22,5mm 7/ ₈ "
Cover	PC diffused



Accessories

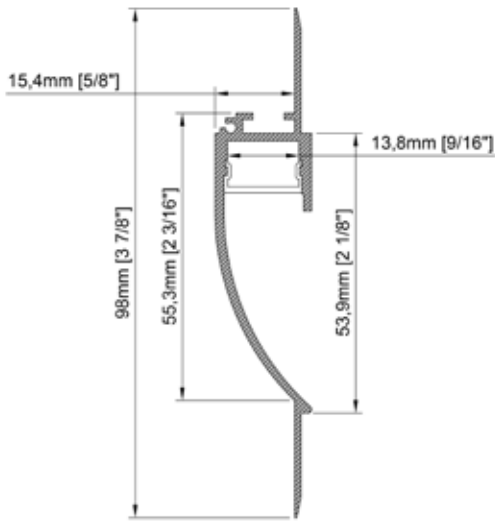


TT-34-END

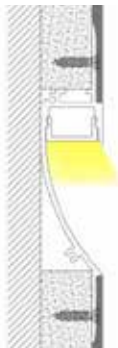
TT-36-2000-O



- Aluminum profile with opal acrylic.
- Designed to be concealed in plaster walls.
- Available in lengths 2000 mm (78³/₄ ").



Size	98mm x 15mm x 2000mm 3 ⁷ / ₈ " x 5/8" x 78 ³ / ₄ "
Lenght	2000mm 78 ³ / ₄ "
Internal width	13,8mm 9/16"
Cover	PC diffused
Finish	White



Accessories



TT-36-END

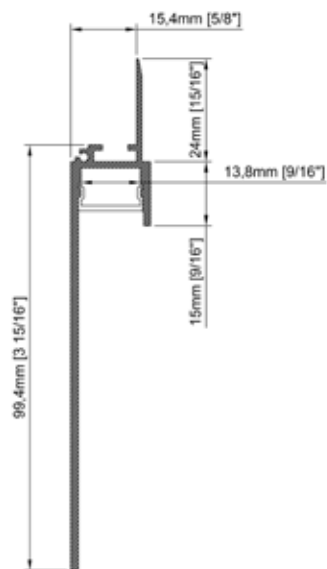
TITANIUM

TECHNOLOGY

TT-41-2000-O



- Aluminum profile with opal acrylic.
- Designed to cover and dissipate heat the LED strips.
- Available in lengths 3000 mm (78³/₄").



Size	99,4mm x 15,4mm x 2000mm 3 ¹⁵ / ₁₆ " x 5 ⁵ / ₈ " x 78 ³ / ₄ "
Lenght	2000mm 78 ³ / ₄ "
Internal width	13,8mm 9 ⁹ / ₁₆ "
Cover	PC diffused
Finish	White

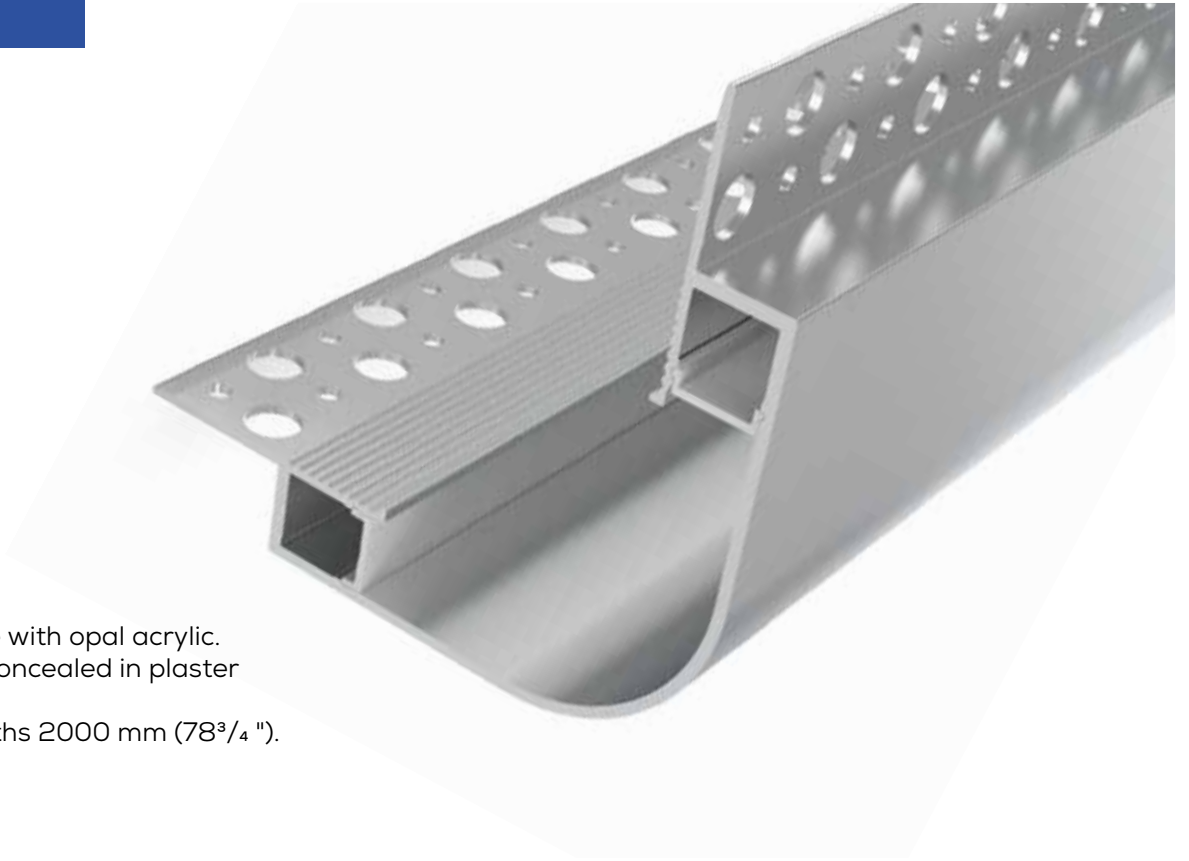


Accessories

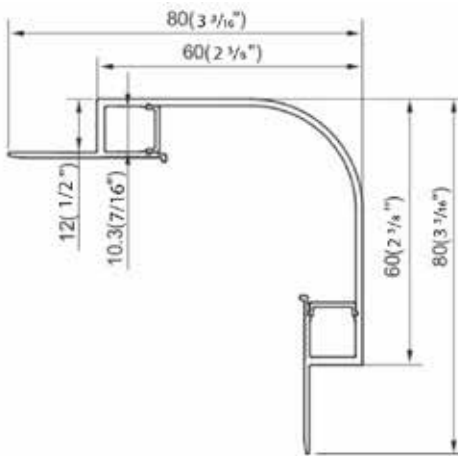


TT-41-END

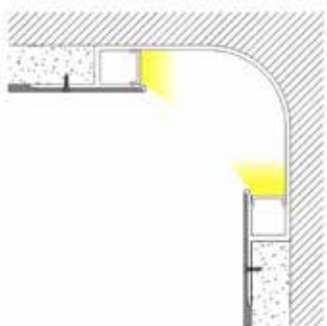
TT-72-2000-0



- Aluminum profile with opal acrylic.
- Designed to be concealed in plaster walls.
- Available in lengths 2000 mm (78³/₄ ").



Size	80mm x 80mm x 2000mm 3 ³ / ₁₆ " x 3 ³ / ₁₆ " x 78 ³ / ₄ "
Lenght	2000mm 78 ³ / ₄ "
Internal width	10,3mm X 2 7/16"
Cover	PC diffused
Finish	White



Accessories



TT-72-END

TRIM-LESS TILES



Credit photo: Godomo

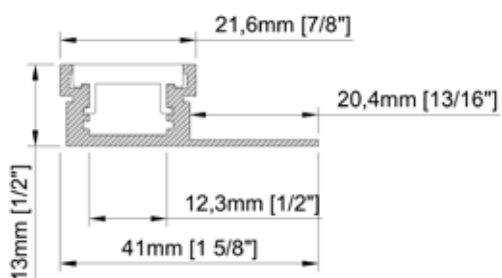
TITANIUM

TECHNOLOGY

TT-11-2000-O



- Aluminum profile with opal acrylic.
- Designed to cover and dissipate heat of the LED strips.
- Available in lengths 2000 mm (78³/₄").

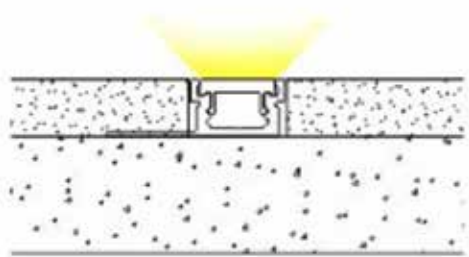


Size 41mm x 13mm x 2000mm
1⁵/₈" x 1¹/₂" x 78³/₄"

Lenght 2000mm
78³/₄"

Internal width 12,3mm
1¹/₂"

Cover PC diffused



Accessories



TT-11-END

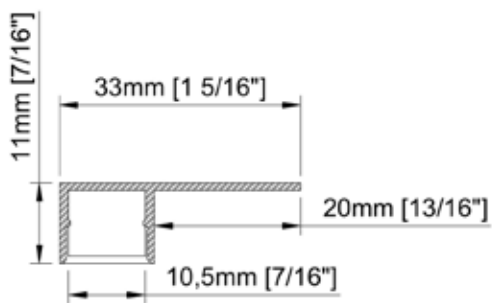
TITANIUM

TECHNOLOGY

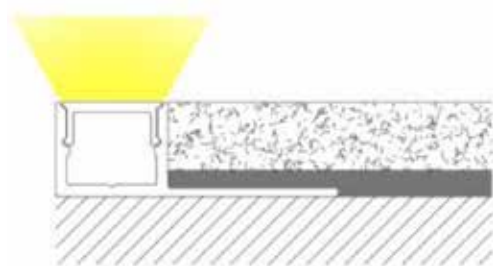
TT-43-2000-O



- Aluminum profile with opal acrylic.
- Designed to conceal between ceramic wall tiles.
- Available in lengths 2000 mm (78³/₄ ").



Size	33mm x 11mm x 2000mm 1 ⁵ / ₁₆ " x 7/ ₁₆ " x 78 ³ / ₄ "
Lenght	2000mm 78 ³ / ₄ "
Internal width	10,5mm 7/ ₁₆ "
Cover	PC diffused



Accessories



TT-43-END

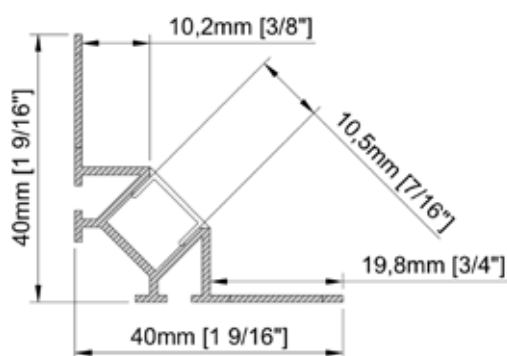
TITANIUM

TECHNOLOGY

TT-44-2000-O



- Aluminum profile with opal acrylic.
- Designed to conceal between ceramic wall tiles.
- Available in lengths 2000 mm (78³/₄ ").

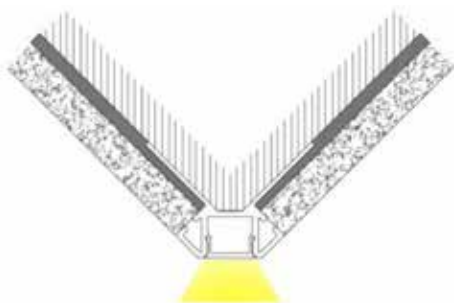


Size 40mm x 40mm x 2000mm
1⁹/₁₆" x 1⁹/₁₆" x 78³/₄"

Lenght 2000mm
78³/₄"

Internal width 10,5mm
7/₁₆"

Cover PC diffused



Accessories

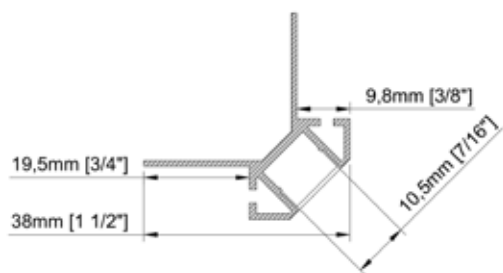


TT-44-END

TT-45-2000-O



- Aluminum profile with opal acrylic.
- Designed to conceal between ceramic wall tiles.
- Available in lengths 2000 mm (78³/₄ ").



Size	38mm x 38mm x 2000mm 1 ¹ / ₂ " x 1 ¹ / ₂ " x 78 ³ / ₄ "
Lenght	2000mm 78 ³ / ₄ "
Internal width	10,5mm 7 ⁷ / ₁₆ "
Cover	PC diffused



Accessories



TT-45-END

BOTTOM WALL

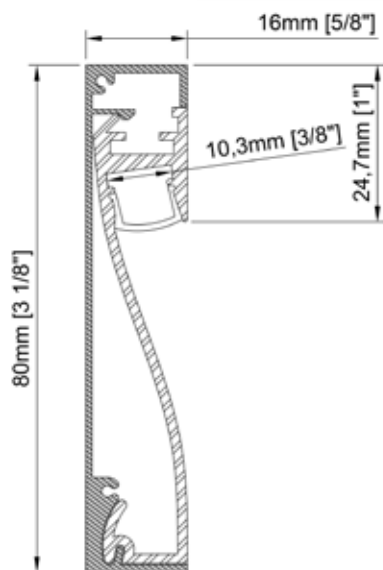


Credit photo: Cuisines Simard

TT-30-2000-O



- Aluminum profile with opal acrylic.
- Designed to cover and dissipate heat of the LED strips.
- Available in lengths 2000 mm (78³/₄ ").



Size	80mm x 16mm x 2000mm 3 ¹ / ₈ " x 5 ⁵ / ₈ " x 78 ³ / ₄ "
Length	2000mm 78 ³ / ₄ "
Internal width	10,3mm 3 ³ / ₈ "
Cover	PC diffused

Accessories

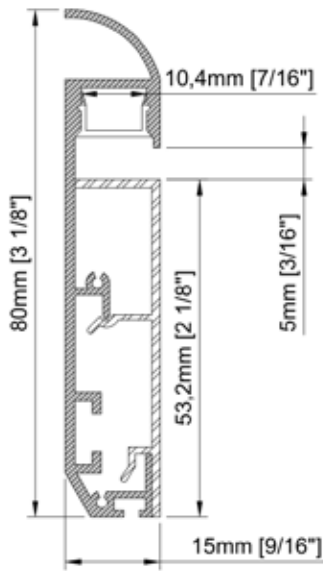


TT-30-END

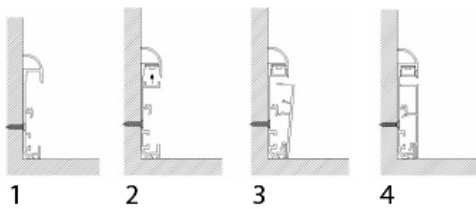
TT-51-2000-O



- Aluminum profile with opal acrylic.
- Designed to cover and dissipate heat of the LED strips.
- Available in lengths 2000 mm (78³/₄").



Size	80mm x 15mm x 2000mm 3 ¹ / ₈ " x 9/16" x 78 ³ / ₄ "
Length	2000mm 78 ³ / ₄ "
Internal width	10,4mm 7/16"
Cover	PC diffused



Accessories

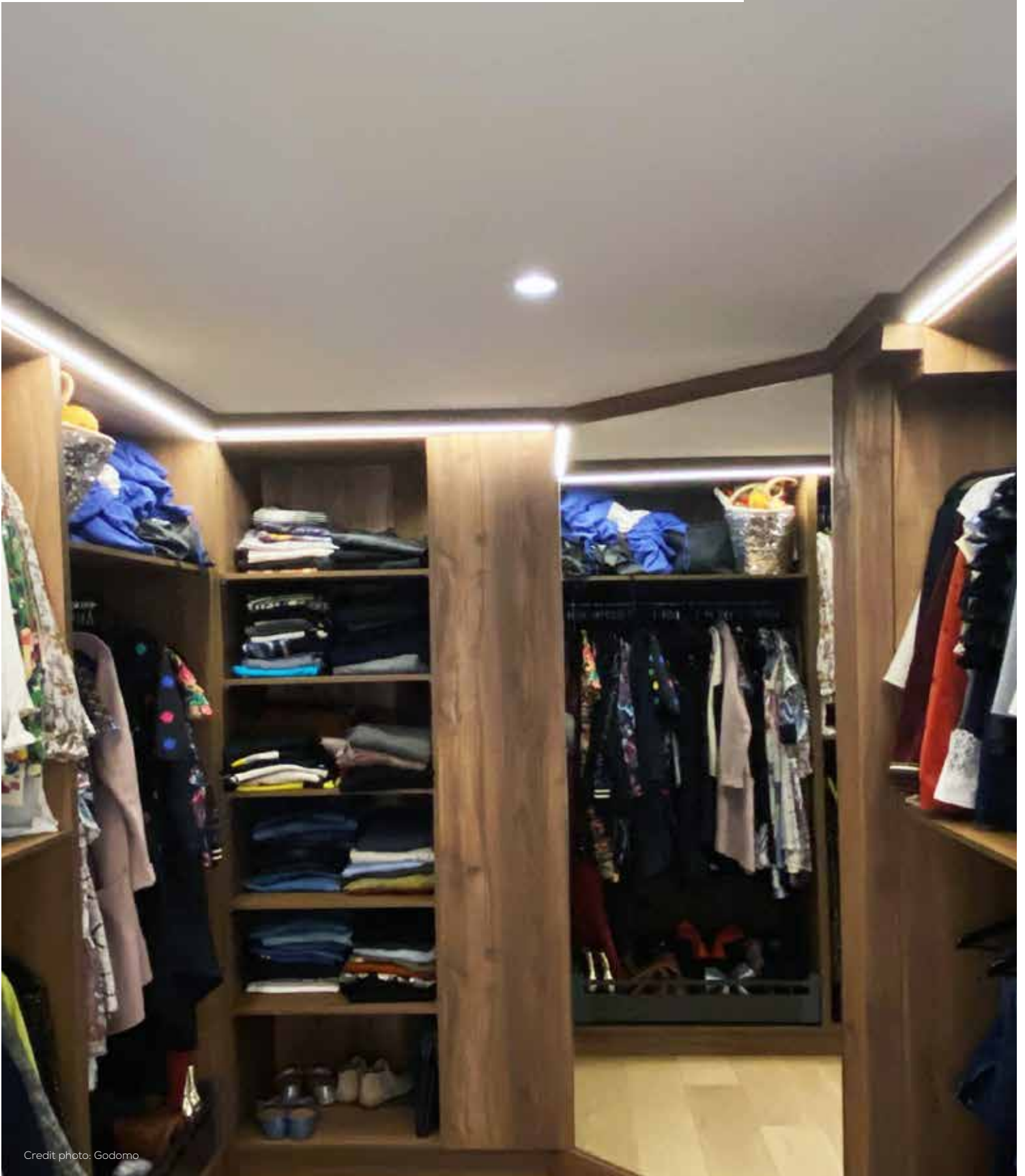


TT-51-END



TT-51-EXT

CLOSET

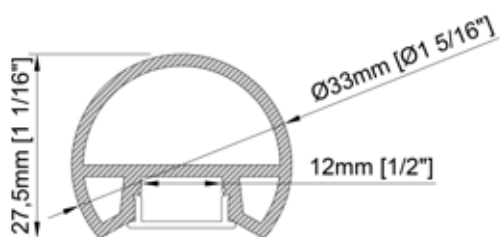


Credit photo: Godomo

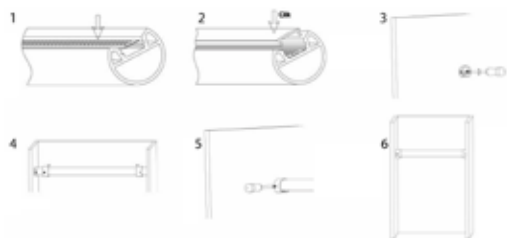
TT-35-2000-O



- Aluminum profile with opal acrylic.
- Designed for wardrobes.
- Available in lengths 2000 mm (78³/₄ ").



Size	27,5mm x 33mm x 2000mm 1 ¹ / ₁₆ " x 1 ⁵ / ₁₆ " x 78 ³ / ₄ "
Lenght	2000mm 78 ³ / ₄ "
Internal width	12mm 1/2"
Cover	PC diffused



Accessories



TT-35-END

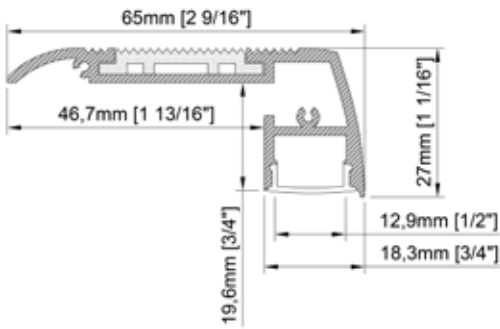


STAIRS

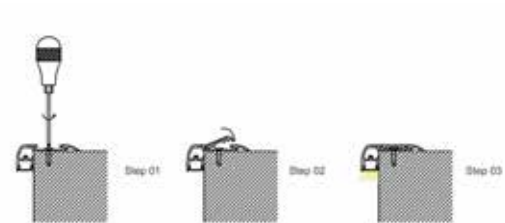


TT-42-2000-O

- Aluminum profile with opal acrylic.
- Designed for stairs with non-slip rubber band.
- Available in lengths 2000 mm (78³/₄ ").



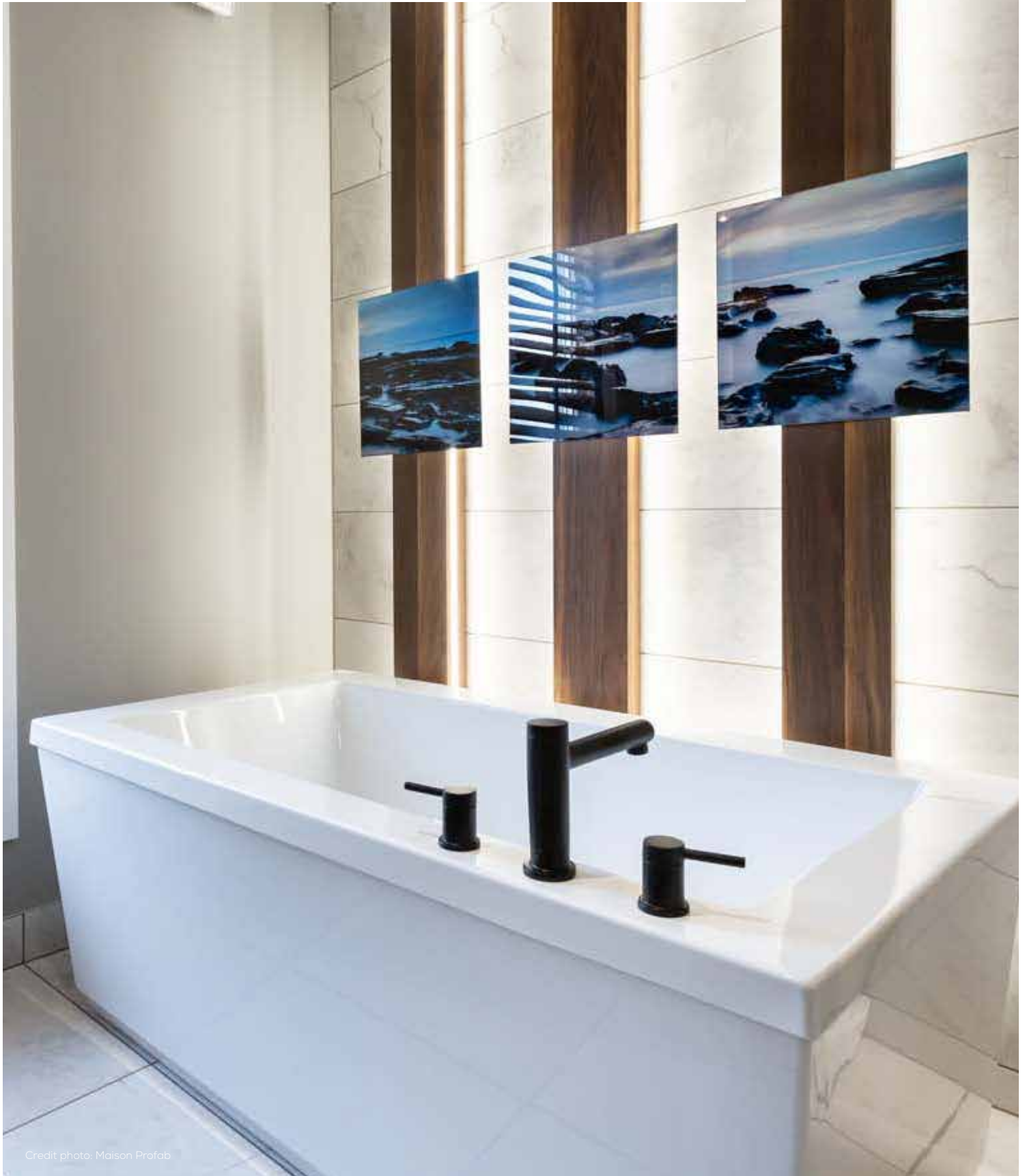
Size	65mm x 27mm x 2000mm 2 ⁹ / ₁₆ " x 1 ¹ / ₁₆ " x 78 ³ / ₄ "
Lenght	2000mm 78 ³ / ₄ "
Internal width	12,9mm 1/2"
Cover	PC diffused
Finish	Black



Accessories



TRIM-LESS CONCRETE

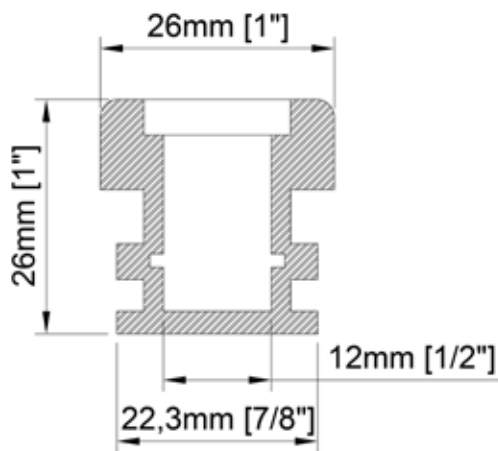


Credit photo: Maison Profab

TT-12-3000-O



- Aluminum profile with opal acrylic.
- Designed to cover and dissipate heat of the LED strips.
- Available in lengths 3000 mm (118").



Size	26mm x 26mm x 3000mm 1" x 1" x 118 ¹ / ₈ "
------	---

Lenght	3000mm 118 ¹ / ₈ "
--------	---

Internal width	12mm 1/2"
----------------	--------------

Cover	PC diffused
-------	-------------

Accessories



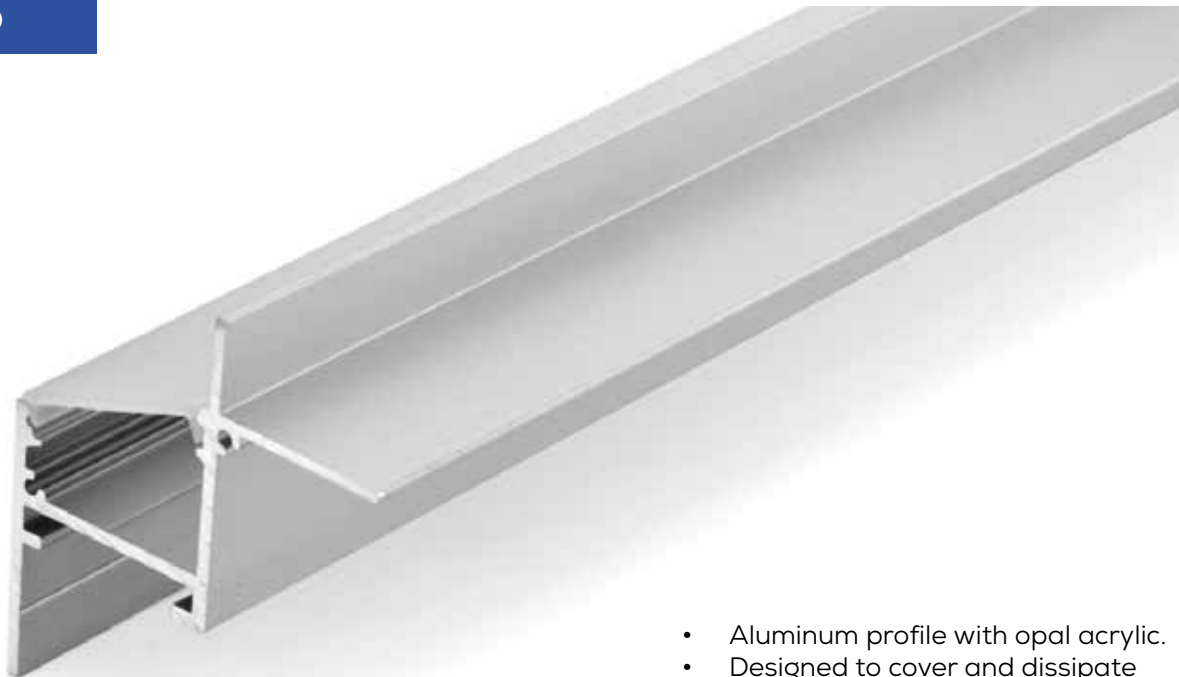
TT-12-END

SUSPENDED CEILING

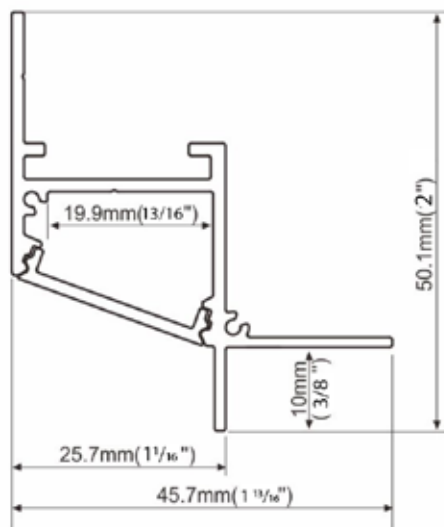


Credit photo: Godomo

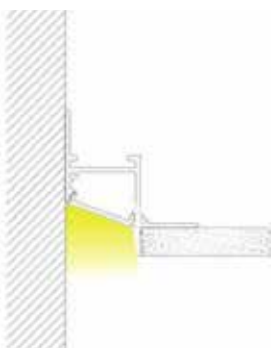
TT-67-2000-O



- Aluminum profile with opal acrylic.
- Designed to cover and dissipate heat of the LED strips.
- Available in lengths 2000 mm (78³/₄ ").



Size	45,7mm x 50,1mm x 2000mm 1 ¹³ / ₁₆ " x 2" x 78 ³ / ₄ "
Length	2000mm 78 ³ / ₄ "
Internal width	19,9mm 1 ³ / ₁₆ "
Cover	PC diffused

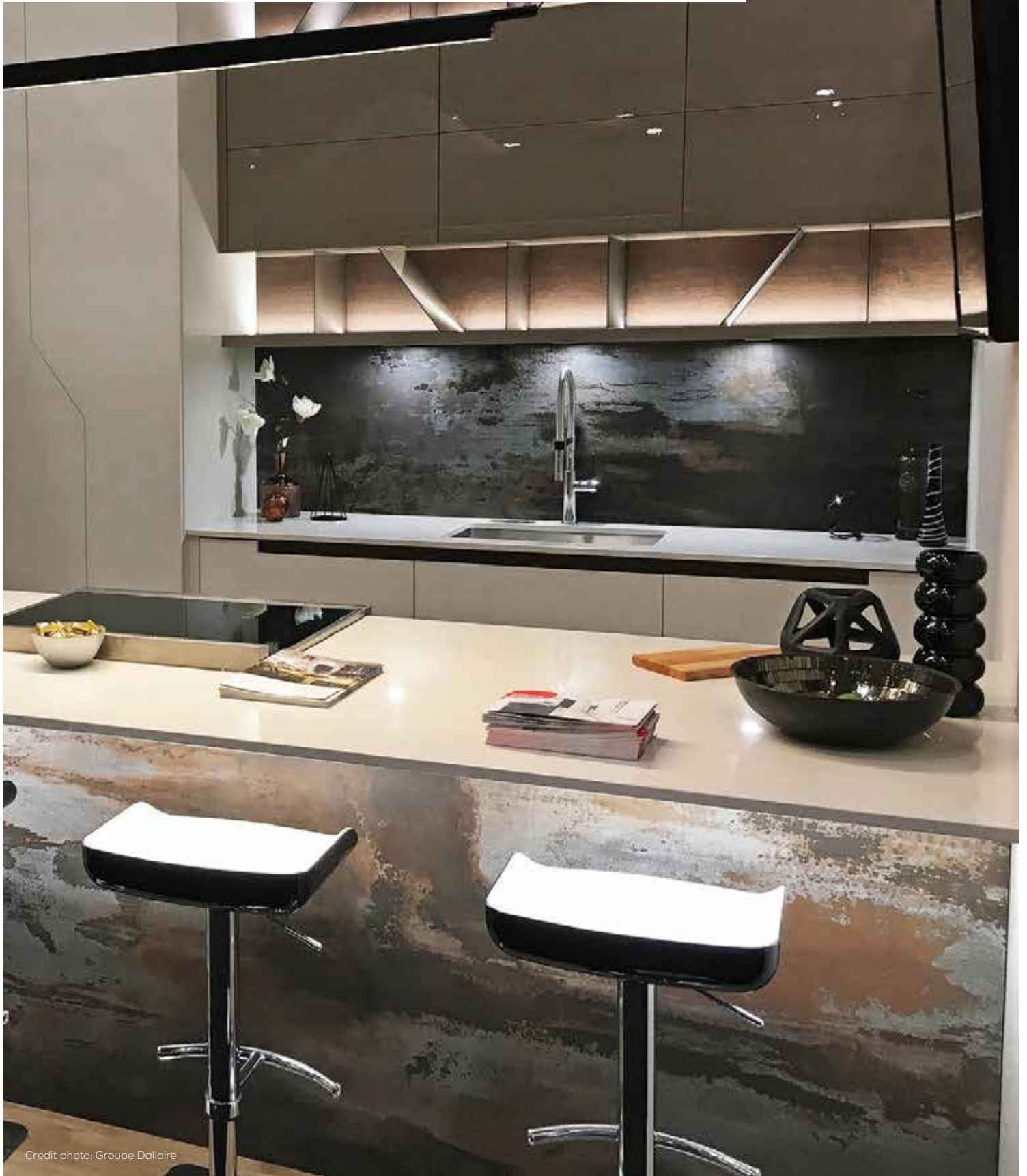


Accessories



TT-67-END

EDGE

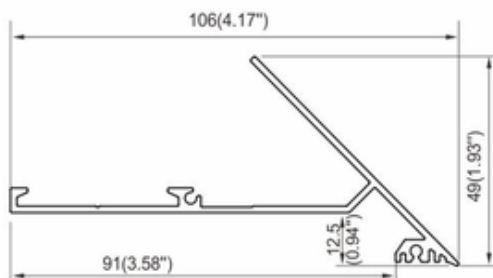
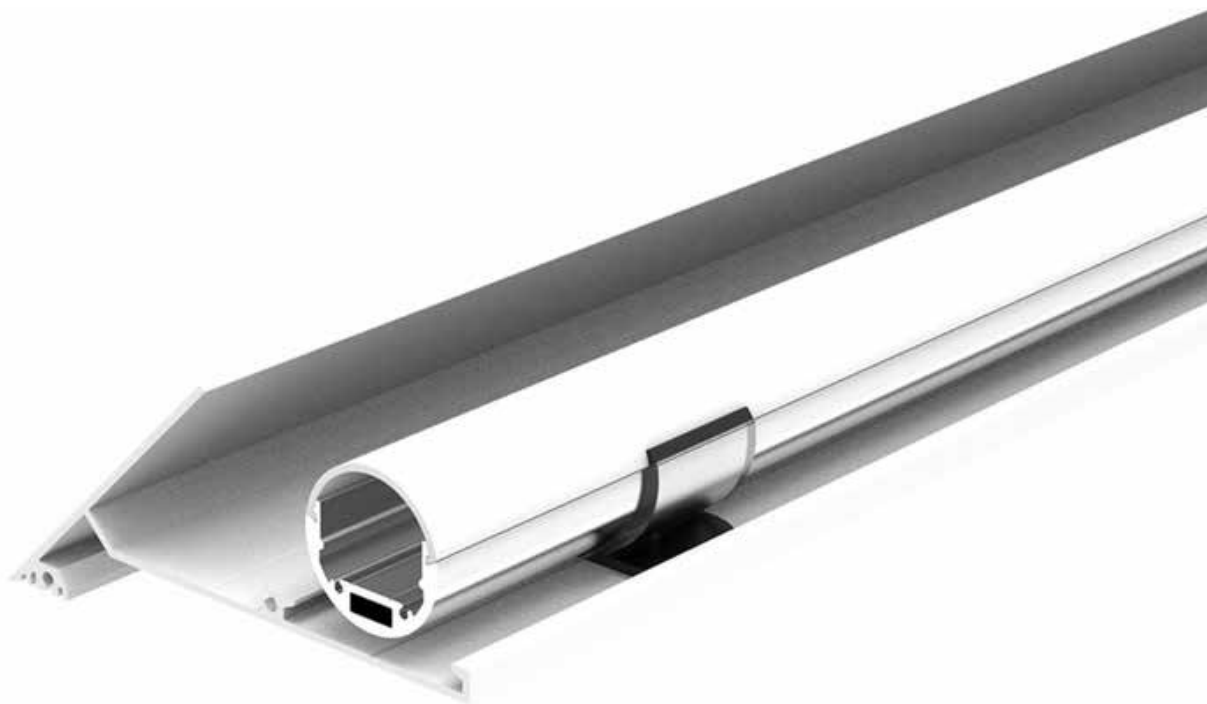


Credit photo: Groupe Dallaire

TITANIUM

TECHNOLOGY

TT-70-2000-O



Size 2000 mm x 91 mm x 49 mm
78³/₄" x 3¹/₂" x 1⁷/₈"

Lenght 2000 mm
78³/₄"

Internal width 13 mm
1/2"

Cover PC diffused



Accessories



TT-70-CLIP



TT-70-EXT

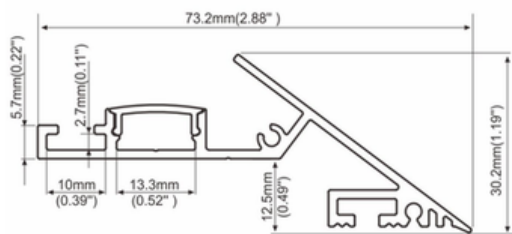


TT-70-L

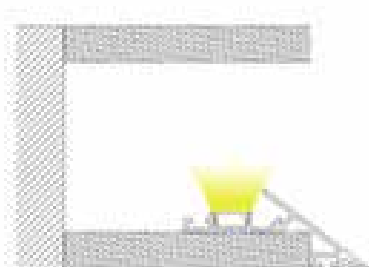


TT-70-END

TT-71-2000-O



Size	73,2mm x 30,2mm x 2000mm 2 ⁷ / ₈ " x 1 ³ / ₁₆ " x 78 ³ / ₄ "
Lenght	2000mm 78 ³ / ₄ "
Internal width	13,3mm 9 ⁹ / ₁₆ "
Cover	Semi-clear PMMA

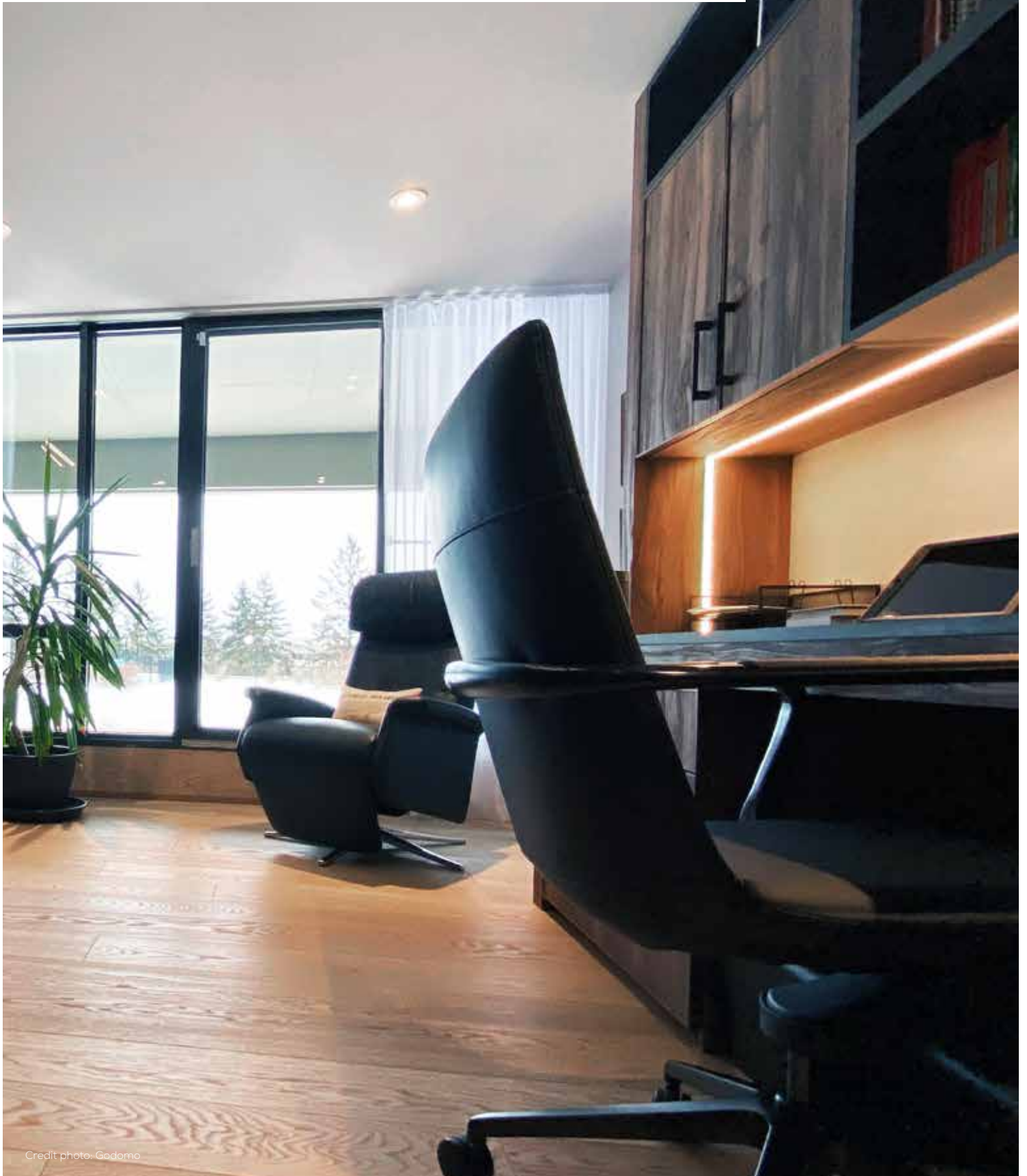


Accessories



TT-71-END

FLEX

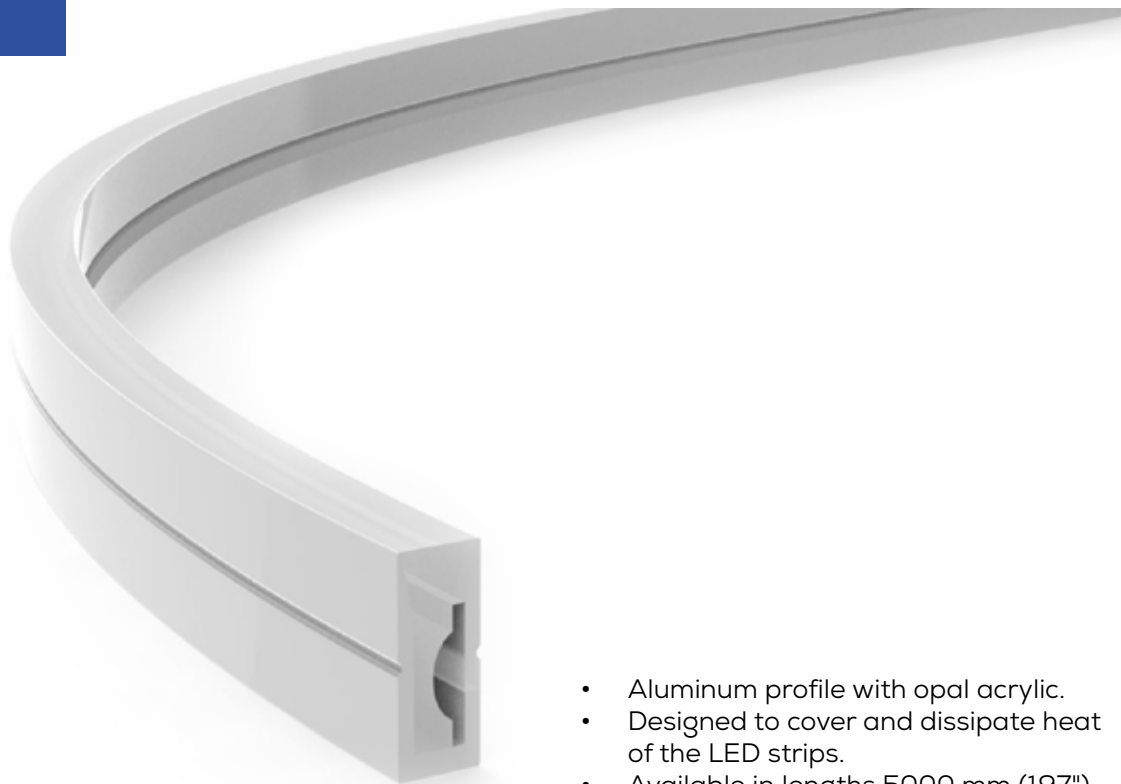


Credit photo: Godomo

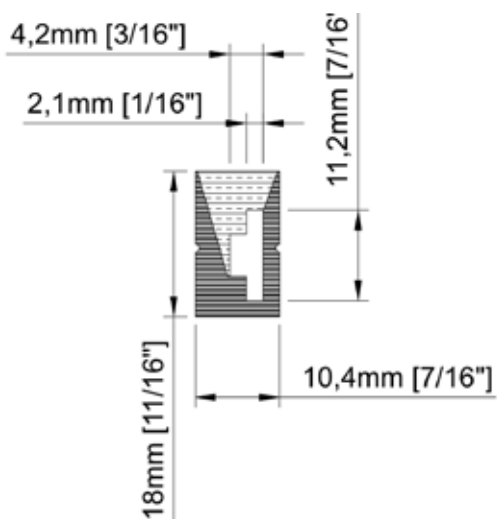
TITANIUM

TECHNOLOGY

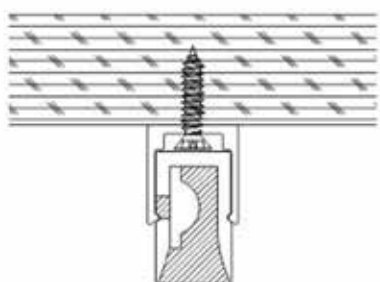
TT-FLEX-01



- Aluminum profile with opal acrylic.
- Designed to cover and dissipate heat of the LED strips.
- Available in lengths 5000 mm (197").



Size	10,4mm x 18mm x 5000mm 7/16" x 11/16" x 5000"
Lenght	5000mm 197"
Internal width	11,2mm 7/16"
Cover	White silicone



Accessories



TT-FLEX-01-CLIP



TT-FLEX-01-AC

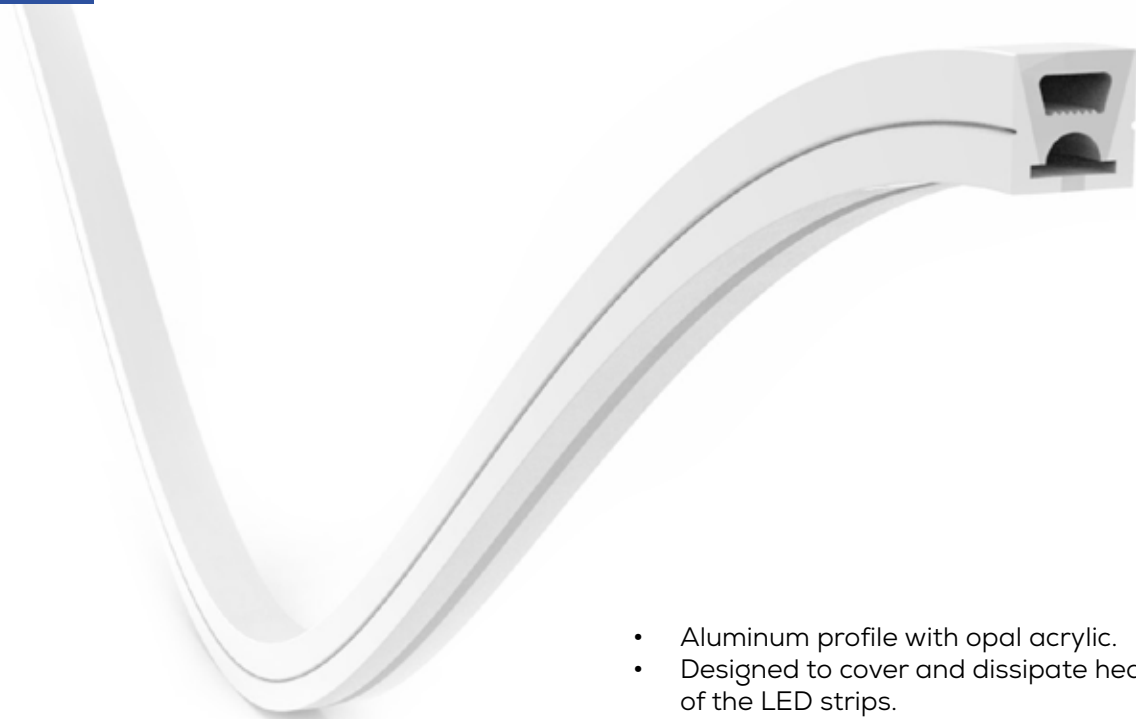


TT-FLEX-01-END

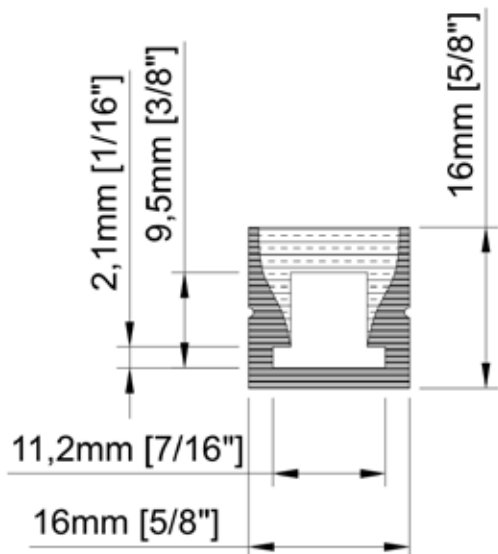
TITANIUM

TECHNOLOGY

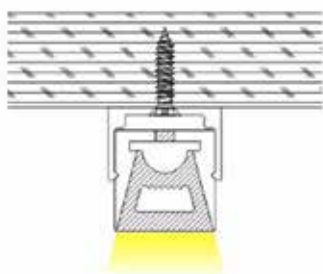
TT-FLEX-02



- Aluminum profile with opal acrylic.
- Designed to cover and dissipate heat of the LED strips.
- Available in lengths 5000 mm (197").



Size	16 mm x 16 mm x 5000 mm 5/8" x 5/8" x 197"
Lenght	5000mm 197"
Internal width	11,2mm 7/16"
Cover	White silicone



Accessories



TT-FLEX-02-CLIP



TT-FLEX-02-AC



TT-FLEX-02-END

LED ENGINES







Credit photo: Sommet V3



TT-335-L600 Page 131

Voltage		Luminous flux (lm/m)				Power		
12vDC	30K	40K	60K		7,88w /m	2,4w / feet	39,6w / roll	
24vDC	840	945	1050					



TT-2216-L1500 Page 132

Voltage		Luminous flux (lm/m)					Power		
24vDC	27K	30K	35K	40K	60K	34,12w /m	10,40w / feet	170,56w / roll	
	1399	1403	1438	1502	1649				



TT-2216-L1280 Page 133

Voltage		Luminous flux (lm/m)				Power		
24vDC		1800			23w /m	7w / feet	115w / roll	



TT-2835-L600 Page 134

Voltage		Luminous flux (lm/m)					Power		
12vDC	27K	30K	35K	40K	60K	16,4w /m	5w / feet	82w / roll	
24vDC	800	808	810	815	817				



TT-2835-L600-HP Page 135

Voltage		Luminous flux (lm/m)					Power		
12vDC	27K	30K	35K	40K	60K	20w /m	7,5w / feet	120w / roll	
24vDC	1704	1727	1801	1952	1964				



TT-2835-L1200 Page 136

Voltage		Luminous flux (lm/m)					Power		
24vDC	27K	30K	35K	40K	60K	30,4w /m	9,26w / feet	152w / roll	
	1493	1500	1507	1510	1512				



TT-3528-L300 Page 137

Voltage		Luminous flux (lm/m)					Power		
12vDC	27K	30K	35K	40K	60K	5,8w /m	1,77w / feet	29w / roll	
24vDC	125	147	148	149	154				



TT-3528-L600 Page 138

Voltage		Luminous flux (lm/m)					Power		
12vDC	27K	30K	35K	40K	60K	9,84w /m	3w / feet	49,2w / roll	
24vDC	383	391	399	402	405				



TT-3535-L600 Page 139

Voltage		Luminous flux (lm/m)					Power		
24vDC		-				24w /m	7,5w / feet	120w / roll	



TT-5050-L300-RGBW-4:1 Page 140

Voltage		Luminous flux (lm/m)					Power		
12vDC		-				18,27w /m	5,57w / feet	91,35w / roll	
24vDC									





TT-5050-L300-RGBCCT-5:1 Page 141

Voltage	Luminous flux (lm/m)	Power
12vDC	-	10,32w / m
24vDC	-	13,44w / m



TT-DIGITAL-DMX-05V Page 142

Voltage	Luminous flux (lm/m)	Power
5vDC	-	-



TT-DIGITAL-DMX-24V Page 143

Voltage	Luminous flux (lm/m)	Power
24vDC	-	-



TT-DIGITAL-STRIP-SPI Page 144

Voltage	Luminous flux (lm/m)	Power
5vDC	-	7,2w / m
		14,4w / m
		34w / m



PRODUCT BUILDER CODE

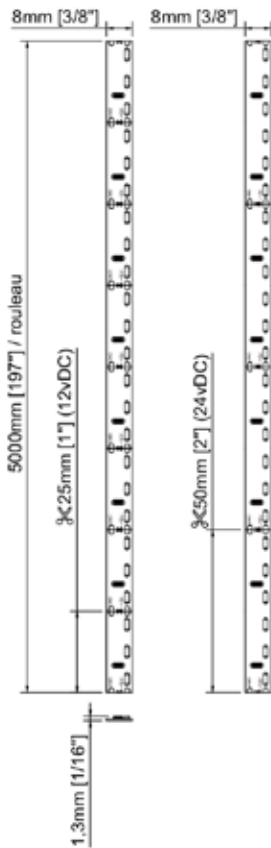
TT	PROFILE	LENGTH (inch)	LUMEN PACKAGE	COLOUR CCT	IP	VOLTAGE	LEAD IN (inch)	LEAD OUT (inch)	END CAP	CLIP	PSU
TT	-	-	-	-	-	-	-	-	-	-	-
			28/6 221 lm/feet 5W/feet	27 2700K 30 3000K	20 65	12 24	Hxxxx 12 inchs minimum DCxxxx 12 inchs minimum	empty No lead out Hxxxx 12 inchs minimum DCxxxx 12 inchs minimum	NE No end cap EC With end cap	NC No Clip xC x=QTE	n/a No psu P Plug-in CV Dimmable CV-BOX Dimmable with box CV67 IP67 psu 120V No dimmable 120v psu 347V No dimmable 347V PSU O10 0-10v PSU
			28/6 H 527 lm/feet 6,25W/feet *24v only	35 3500K 40 4000K 60 6000K							
			28/12 456 lm/feet 9W/feet *24v only	RE RED GR GREEN							
			35/3 45 lm/feet 1,5W/feet	BL BLUE AM AMBER							
			35/6 120 lm/feet 3W/feet	PK PINK *28/6 only							
			22/15 425 lm/feet 9W/feet *24v only	CB CYAN *28/6 only OR ORANGE *28/6 only							
			50/3 4,5W/feet	UV *28/6 only							
			DX/24 DIGITAL DMX *24v only	RGB *50/3, 28/6 or 35/6 only RGBWW *50/3 only RGBNW *50/3 only RGBCW *50/3 only RGBCCT *50/3 only							

For a custom color, add at the end of the manufacturer code number COLOR RAL K7. Contact your dealer about the additional cost to a special color.

TT-335-L600



- 5m roll of SMD335 LED Strip in 5 meter roll. Side emitting led



Voltage	12vDC	24vDC
LED/m	120 / m	
Power	7,88w / m	
	2,4w / feet	
	39.6w / roll	
Lumen	30K - 840 / m	
	40K - 945 / m	
	60K - 1050 / m	
Angle	120°	
Size	IP20	10mm x 1,3mm x 5000mm 3/8" x 1/16" x 196 7/8"
	IP65	10mm x 1,8mm x 5000mm 3/8" x 1/16" x 196 7/8"
Cut line	25 mm	50 mm
	1"	2"
Finish	White	
Dimmable	Yes	
LED Colour	27K - Warm white 2700K	
	30K - Warm white 3000K	
	35K - Neutral white 3500K	
	40K - Neutral white 4000K	
	60K -Cold white 6000K	
	R - Red	
	G - Green	
Working temp.	-40°C ~ 70°C	
	IP 20, 65	

TITANIUM

TECHNOLOGY

TT-2216-L1500



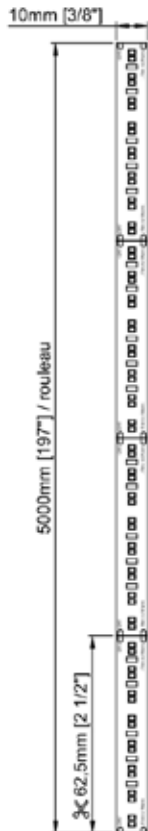
- Del SMD2216 tape in 5 meter roll.



Voltage	24vDC	
LED/m	300 / m	
Power	34,12w / m	
	10,40w / feet	
	170,56w / roll	
Amperage	1,34 / m	
	0,44 / feet	
	7,11 / roll	
Lumen	27K - 1399 lm	
	30K - 1403 lm	
	35K - 1438 lm	
	40K - 1502 lm	
	60K - 1649 lm	
CRI	90	
Angle	120°	
Size	IP20	10mm x 1,1mm x 5000mm $\frac{3}{8}'' \times \frac{1}{16}'' \times 196\frac{7}{8}''$
	IP65	10mm x 2,5mm x 5000mm $\frac{3}{8}'' \times \frac{1}{8}'' \times 196\frac{7}{8}''$
	IP67	13mm x 5mm x 5000mm $\frac{1}{2}'' \times \frac{3}{16}'' \times 196\frac{7}{8}''$
Cut line	20 mm $\frac{3}{4}''$	
Finish	White	
Dimmable	Yes	
LED Colour	27K - Warm white 2700K	
	30K - Warm white 3000K	
	35K - Neutral white 3500K	
	40K - Neutral white 4000K	
	60K - Cold white 6000K	
	R - Red	
	G - Green	
B - Blue		
A - Amber		
Working temp.	-40°C ~ 70°C	
IP	20, 65, 67	



- Del SMD2835 tape in 5 meter roll.
- The color temperature varies according to the intensity. 3000K at 100% dimmable at 1800K at 10%

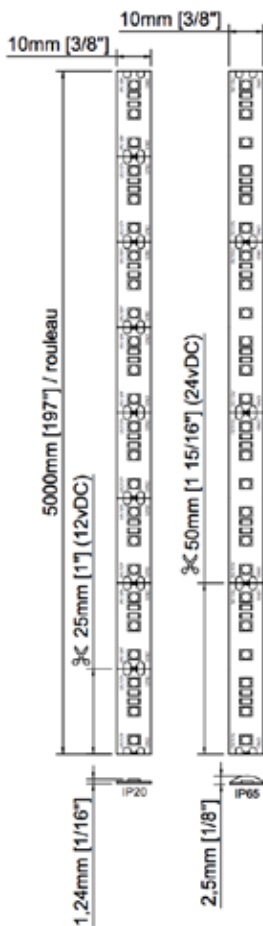


Voltage	24vDC
LED/m	256 LED/m
Power	23w / m 7w / feet 115w / roll
Amperage	1A / m 0,3A / feet 4,8A / roll
Lumen	1800 lm
CRI (RA)	90
Angle	120°
Size	10mm x 1,1mm x 5000mm $\frac{3}{8}'' \times \frac{1}{16}'' \times 196\frac{7}{8}''$
Cut line	62,5 mm 2 $\frac{1}{2}''$
Finish	White
Dimmable	Yes - PWM
LED Colour	DW - Warm white 3000K~1800K
Working temp.	-40°C ~ 70°C
IP	20 - 67

TITANIUM

TECHNOLOGY

TT-2835-L600

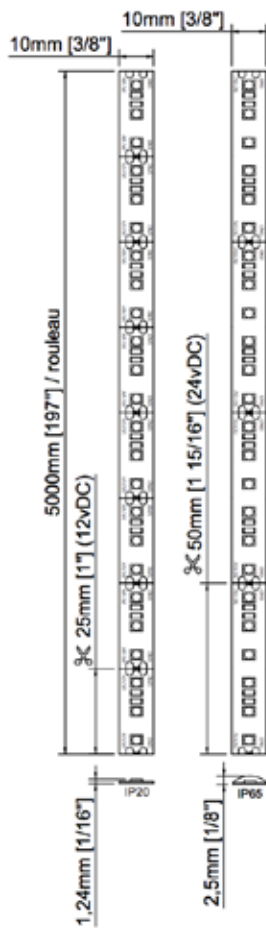


Voltage	12vDC	24vDC
LED/m	120 / m	
Power	16,4w / m 5w / feet 82w / roll	
Amperage	1,37A / m 0,42A / feet 6,84A / roll	0,69A / m 0,21A / feet 3,42A / roll
Lumen	27K - 800 / m 30K - 808 / m 35K - 810 / m 40K - 815 / m 60K - 817 / m	
CRI (RA)	90	
Angle	120°	
Size	IP20	10mm x 1,25mm x 5000mm $\frac{3}{8}$ " x $\frac{1}{16}$ " x 196 $\frac{7}{8}$ "
	IP65	10mm x 2,5mm x 5000mm $\frac{3}{8}$ " x $\frac{1}{8}$ " x 196 $\frac{7}{8}$ "
	IP67	13mm x 5mm x 5000mm $\frac{1}{2}$ " x $\frac{3}{16}$ " x 196 $\frac{7}{8}$ "
Cut line	25 mm 1"	50 mm 2"
Finish	White	
Dimmable	Yes	
LED Colour	27K - Warm white 2700K 30K - Warm white 3000K 35K - Neutral white 3500K 40K - Neutral white 4000K 60K - Cold white 6000K R - Red G - Green B - Blue CB - Crystal Blue A - Amber O - Orange P - Pink UV - UV 395~400nm RGB - Color mixing 3:1	
Working temp.	-40°C ~ 70°C	
IP	20, 65, 67	

TITANIUM

TECHNOLOGY

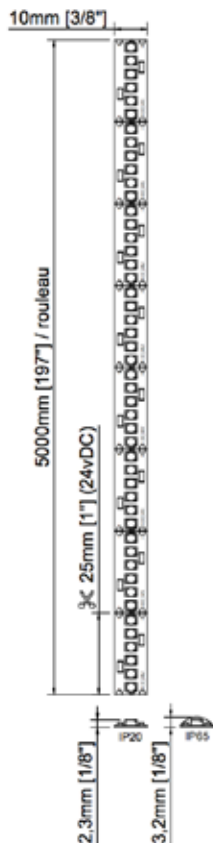
TT-2835-L600-HP



Voltage	12vDC	24vDC
LED/m	120 / m	
Power	20w / m 7,5w / feet 120w / roll	
Amperage	1,27A / m 0,43A / feet 6,5A / roll	0,64A / m 0,22A / feet 3,25A / roll
Lumen	27K - 1704 lm 30K - 1727 lm 35K - 1801 lm 40K - 1952 lm 60K -1964 lm	
CRI (RA)	90	
Angle	120°	
Size	IP20	10mm x 1,25mm x 5000mm $\frac{3}{8}'' \times \frac{1}{16}'' \times 196\frac{7}{8}''$
	IP67	13mm x 5mm x 5000mm $\frac{1}{2}'' \times \frac{3}{16}'' \times 196\frac{7}{8}''$
Cut line	25 mm 1"	50 mm 2"
Finish	White	
Dimmable	Yes	
LED Colour	27K - Warm white 2700K 30K - Warm white 3000K 35K - Neutral white 3500K 40K - Neutral white 4000K 60K -Cold white 6000K	
Working temp.	-40°C ~ 70°C	
IP	20, 67	



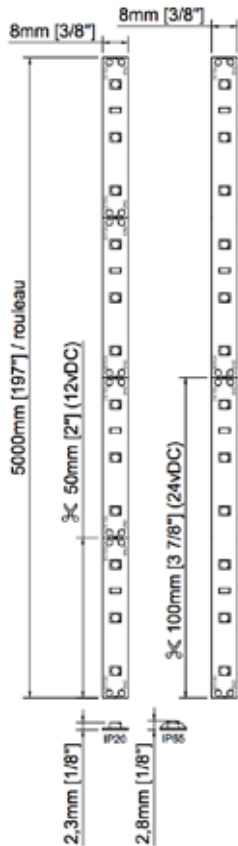
- 5m roll of SMD2835 LED Strip in 5 meter roll.



Voltage	24vDC	
LED/m	240 / m	
Power	30,4 w / m 9,26 w / feet 152 w / roll	
Amperage	1,27 A / m 0,39 A / feet 6,34 A / roll	
Lumen	27K - 1493 lm 30K - 1500 lm 35K - 1507 lm 40K - 1510 lm 60K - 1512 lm	
Angle	120°	
Size	IP20	10mm x 2,3mm x 5000mm $\frac{3}{8}$ " x $\frac{1}{8}$ " x 196 $\frac{7}{8}$ "
	IP65	10mm x 3,2mm x 5000mm $\frac{3}{8}$ " x $\frac{1}{8}$ " x 196 $\frac{7}{8}$ "
	IP67	13mm x 5mm x 5000mm $\frac{1}{2}$ " x $\frac{3}{16}$ " x 196 $\frac{7}{8}$ "
Cut line	25 mm 1"	
Finish	White	
Dimmable	Yes	
LED Colour	27K - Warm white 2700K 30K - Warm white 3000K 35K - Neutral white 3500K 40K - Neutral white 4000K 60K - Cold white 6000K R - Red G - Green B - Blue A - Amber	
Working temp.	-40°C ~ 70°C	
IP	20, 65, 67	



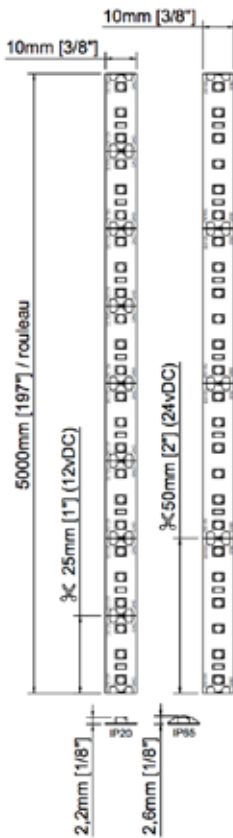
- 5m roll of SMD3528 LED Strip in 5 meter roll.



Voltage	12vDC	24vDC
LED/m	60 / m	
Power	5,8w / m 1,77w / feet 29w / roll	
Amperage	0,49A / m 0,15A / feet 2,42A / roll	0,25A / m 0,07A / feet 1,21A / roll
Lumen	27K - 125 lm 30K - 147 lm 35K - 148 lm 40K - 149 lm 60K - 154 lm	
CRI (RA)	90	
Angle	120°	
Size	IP20	10mm x 2,3mm x 5000mm 3/8" x 1/8" x 196 7/8"
	IP65	10mm x 2,8mm x 5000mm 3/8" x 1/8" x 196 7/8"
	IP67	13mm x 5mm x 5000mm 1/2" x 3/16" x 196 7/8"
Cut line	50 mm 2"	100 mm 4"
Finish	White	
Dimmable	Yes	
LED Colour	27K - Warm white 2700K 30K - Warm white 3000K 35K - Neutral white 3500K 40K - Neutral white 4000K 60K - Cold white 6000K R - Red G - Green B - Blue A - Amber	
Working temp.	-40°C ~ 70°C	
IP	20, 65, 67	



- 5m roll of SMD3528 LED Strip in 5 meter roll.



Voltage	12vDC	24vDC
LED/m	120 / m	
Power	9,84w / m 3w / feet 49,2w / roll	
Amperage	0,82A / m 0,25A / feet 4,1A / roll	0,41A / m 0,13A / feet 2,05A / roll
Lumen	27K - 383 lm 30K - 391 lm 35K - 399 lm 40K - 402 lm 60K - 405 lm	
CRI (RA)	90	
Angle	120°	
Size	IP20	10mm x 2,2mm x 5000mm $\frac{3}{8}$ " x $\frac{1}{8}$ " x 196 $\frac{7}{8}$ "
	IP65	10mm x 2,6mm x 5000mm $\frac{3}{8}$ " x $\frac{1}{8}$ " x 196 $\frac{7}{8}$ "
	IP67	13mm x 5mm x 5000mm $\frac{1}{2}$ " x $\frac{3}{16}$ " x 196 $\frac{7}{8}$ "
Cut line	25 mm 1"	50 mm 2"
Finish	White	
Dimmable	Yes	
LED Colour	27K - Warm white 2700K 30K - Warm white 3000K 35K - Neutral white 3500K 40K - Neutral white 4000K 60K - Cold white 6000K R - Red G - Green B - Blue A - Amber RGB - Color mixing 3:1	
Working temp.	-40°C ~ 70°C	
IP	20, 65, 67	



- 5m roll of SMD3535 LED Strip in 5 meter roll.

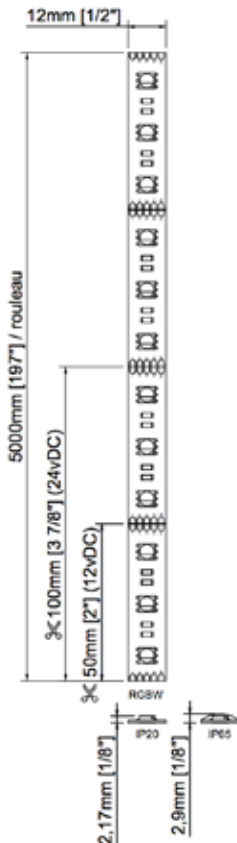


Voltage	24vDC
LED/m	120 / m
Power	24w / m
	7,5w / feet 120w / roll
Amperage	1A / m
	0,32A / feet 5A / roll
Angle	120°
Size	12mm x 3,4mm x 5000mm 1/2" x 1/8" x 1967/8"
Cut line	50 mm 2"
Finish	White
Dimmable	Yes
LED Colour	RGB - Color mixing 3:1
Working temp.	-40°C ~ 70°C
IP	20

TT-5050-L300-RGBW 4:1



- 4 in 1 SMD5050 LED Strip.



Voltage	12vDC	24vDC
LED/m	60 / m	
Power	18,27w / m	
	5,57w / pied feet 91,35w / roll	
Amperage	1,53A / m	0,77A / m
	0,47A / feet 7,62A / roll	0,23A / feet 3,81A / roll
Angle	120°	
Size	IP20	12mm x 2,17mm x 5000mm 1/2" x 1/8" x 1967/8"
	IP65	12mm x 2,9mm x 5000mm 1/2" x 1/8" x 1967/8"
	IP67	13mm x 5mm x 5000mm 1/2" x 3/16" x 1967/8"
Cut line	50 mm 2"	100 mm 4"
	Finish	White
Dimmable	Yes	
LED Colour	RGBA - RGB + Amer 4:1 RGB30K - RGB + Warm white 3000K 4:1 RGB40K - RGB + Neutral white 4000K 4:1 RGB60K - RGB + Cold white 6000K 4:1	
Working temp.	-40°C ~ 70°C	
IP	20, 65, 67	



- 5m roll of SMD3535 LED Strip in 5 meter roll.

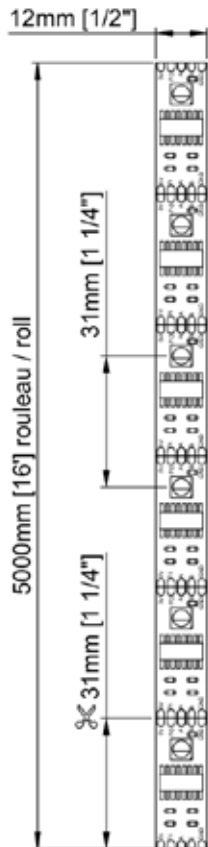


Voltage	12vDC	24vDC
LED/m	60 / m	
Power	10,32w / m	13,44w / m
	3,24w / feet	4,08w / feet
	51,36 / roll	66,24 / roll
Amperage	0,86A / m	0,56A / m
	0,27A / feet	0,17A / feet
	4,28A / roll	2,76A / roll
Angle	120°	
Size	IP20	12mm x 2,04mm x 5000mm 1/2" x 1/8" x 1967/8"
	IP65	12mm x 2,8mm x 5000mm 1/2" x 1/8" x 1967/8"
	IP67	13mm x 5mm x 5000mm 1/2" x 3/16" x 1967/8"
Cut line	99,5 mm 37/8"	
Finish	White	
Dimmable	Yes	
LED Colour	RGBCCT - RGB + Warm white 3000K + Cold white 6000K	
Working temp.	-40°C ~ 70°C	
IP	20, 65, 67	

TT-DIGITAL-DMX-05V



- Digital tape with DMX control directly on the ribbon.
- No additional controller required
- The ribbon can be addressed using an addressing module.



Voltage	5vDC	
LED/m	32 / m	
Power	w / m w / feet w / roll	
Amperage	A / m A / feet A / roll	
LED / pixel	1 LED / pixel	
Pixel / m	32 pixels / m	
Length / DMX universe	4 m (158") / DMX (RGBW) 5,3 m (209") / DMX (RGB)	
Angle	120°	
Size	IP20	12mm x 2,3mm x 5000mm 1/2" x 1/8" x 196 7/8"
	IP67	16mm x 5mm x 5000mm 5/8" x 3/16" x 196 7/8"
Cut line	31 mm 1 1/4"	
Finish	Black	
Dimmable	Yes	
LED Colour	RGB30K - RGB + Warm white 3000K 4:1 RGB40K - RGB + Neutral white 4000K 4:1 RGB60K - RGB + Cold white 6000K 4:1 RGB - Color mixing 3:1	
Working temp.	-40°C ~ 70°C	
IP	20, 67	

Accessories

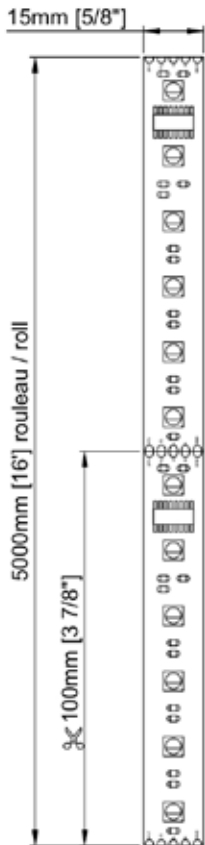


TT-DIGITAL-DMX
-WRITER

TT-DIGITAL-DMX-24V



- Digital tape with DMX control directly on the ribbon.
- No additional controller required
- The ribbon can be addressed using an addressing module.



Voltage	24vDC	
LED/m	60 / m	
Power	w / m w / pied feet w / roll	
Amperage	A / m A / pied feet A / rouleau roll	
LED / pixel	6 LED / pixel	
Pixel / m	10 pixels / m	
Length / DMX universe	12,8 m (504") / DMX (RGBW) 17 m (670") / DMX (RGB)	
Angle	120°	
Size	IP20	15mm x 2,3mm x 5000mm 5/8" x 1/8" x 1967/8"
	IP67	16mm x 5mm x 5000mm 5/8" x 3/16" x 1967/8"
Cut line	100 mm 4"	
Finish	Noir / Black	
Dimmable	Oui / Yes	
LED Colour	RGB30K - RGB + Warm white 3000K 4:1 RGB40K - RGB + Neutral white 4000K 4:1 RGB60K - RGB + Cold white 6000K 4:1 RGB - Color mixing 3:1	
Working temp.	-40°C ~ 70°C	
IP	20, 67	

Accessories



TT-DIGITAL-DMX
-WRITER

TT-DIGITAL-STRIP-SPI



- SMD5050 LED tape in 5 meter roll. Digital LED controlled one by one via ArtNet / DMX.

Voltage	5vDC	
LED/m	30, 60, 144	
Power	30/m	7,2w / m 2,25w / feet
	60/m	14,4w / m 4,5w /feet
	144/m	34w / m 10,8 w /feet
Angle	120°	
Size	IP20	12mm x 2,17mm x 5000mm $\frac{3}{8}$ " x $\frac{1}{8}$ " x 196 $\frac{7}{8}$ "
	IP67	12mm x 2,8mm x 5000mm $\frac{3}{8}$ " x $\frac{1}{8}$ " x 196 $\frac{7}{8}$ "
Cut line	30/m	33mm 1 $\frac{5}{16}$ "
	60/m	17mm $\frac{11}{16}$ "
	144/m	7mm $\frac{5}{16}$ "
Finish	White	
Working temp.	-40°C ~ 70°C	
IP	20, 67	

Accessories

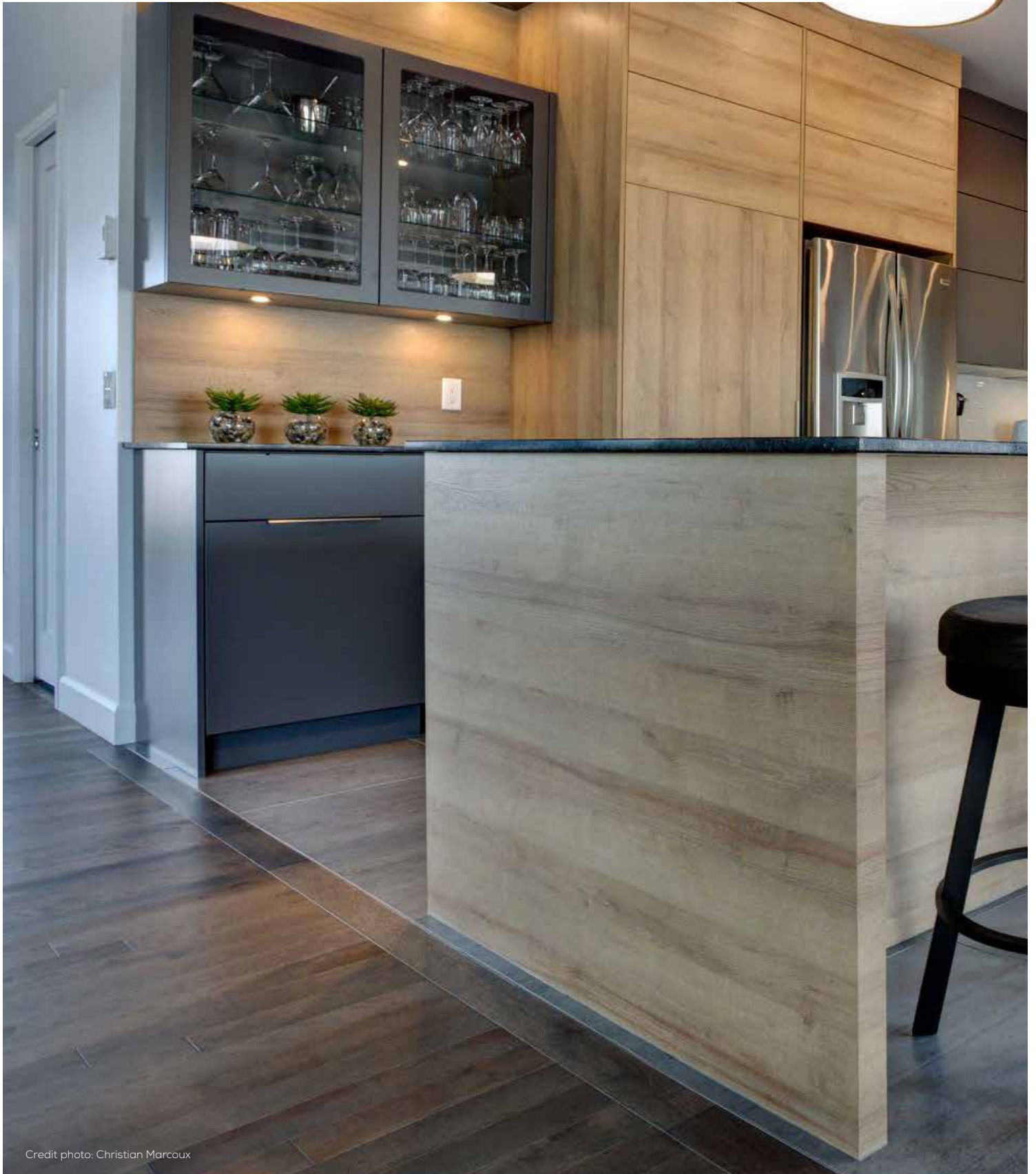


TT-DIGITAL-DMX-SPI

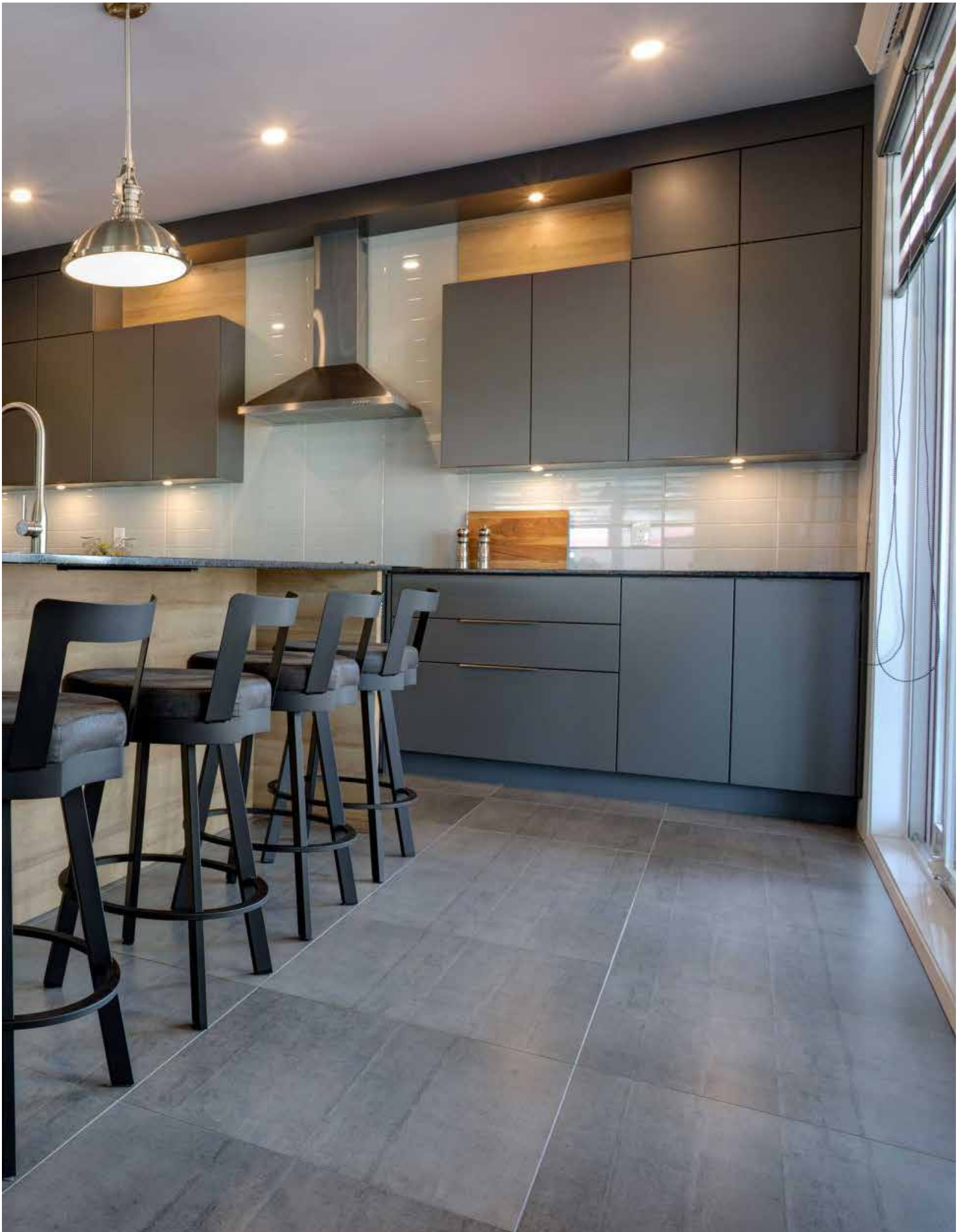


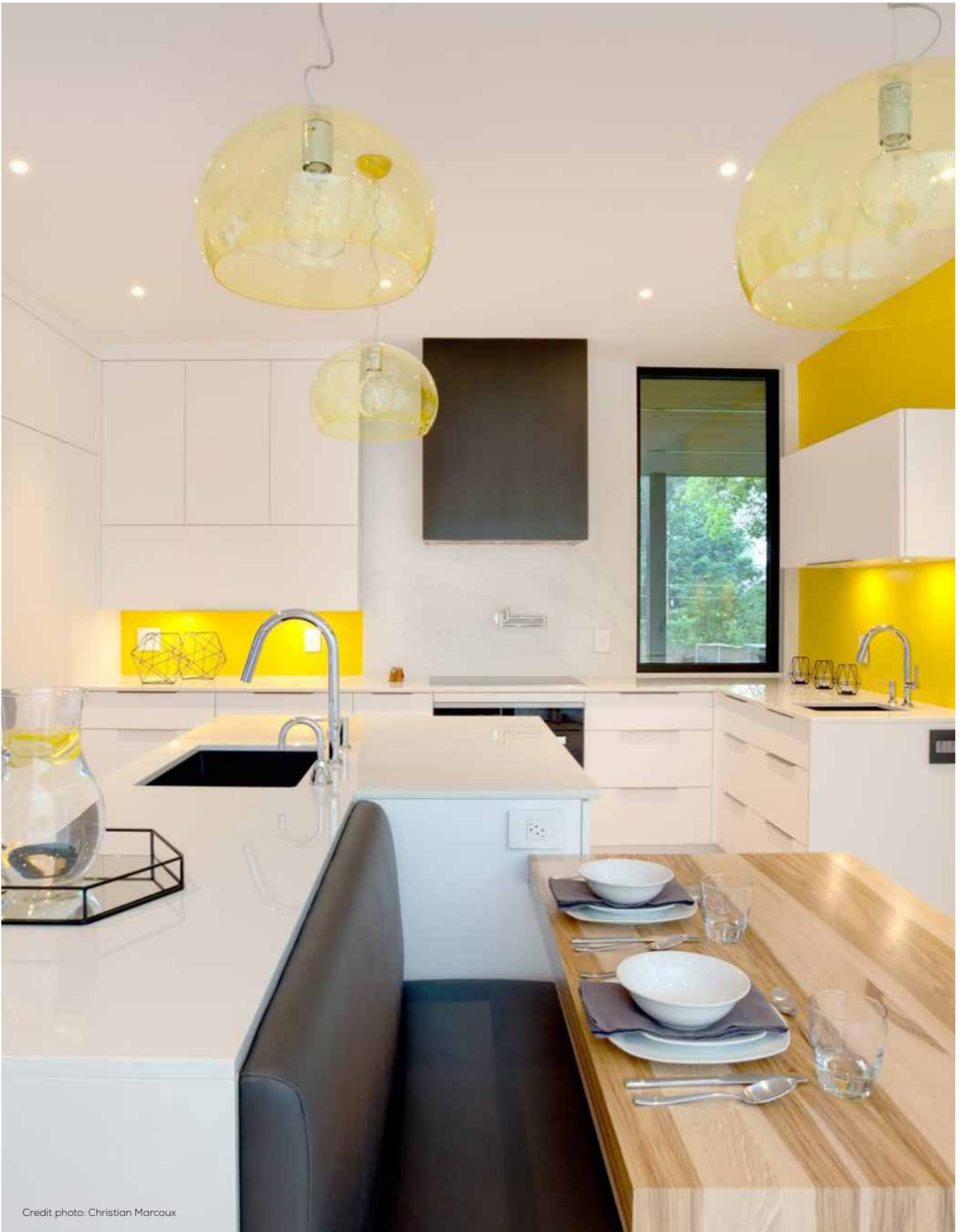
TT-DIGITAL-U8

CABINETS AND MILLWORK



Credit photo: Christian Marcoux





Credit photo: Christian Marcoux



TT-PUCK-2W Page 150

Voltage (vDC)	Power (W/m)	Luminous flux (lm/m)			Cut hole (mm)
12	2	-			63



TT-PUCK-3W Page 151

Voltage (vDC)	Power (W/m)	Luminous flux (lm/m)			Cut hole (mm)
12	3	30K 230	40K 240	60K 260	63



TT-PUCK-3W-S Page 152

Voltage (vDC)	Power (W/m)	Luminous flux (lm/m)			Cut hole (mm)
12	3	30K 230	40K 240	60K 260	63



TT-PUCK-400-V3 Page 153

Voltage (vDC)	Power (W/m)	Luminous flux (lm/m)			Cut hole (mm)
12	3	30K 330	40K 350	60K 360	63



TT-PUCK-2.2W Page 154

Voltage (vDC)	Power (W/m)	Luminous flux (lm/m)	Cut hole (mm)
12	2.2	175	56



TT-CAB Page 155

Voltage (vDC)	Power (W/m)	Luminous flux (lm/m)	Cut hole (mm)
12	3,6 5,4 7,8	3,6w - 260 ~ 280 5,4w - 400 ~ 420 7,8w - 580 ~ 600	-



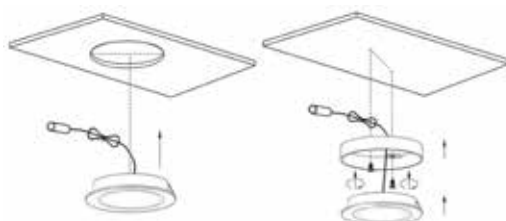
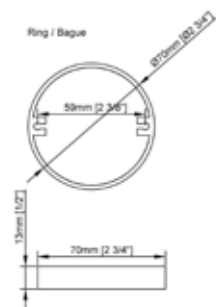
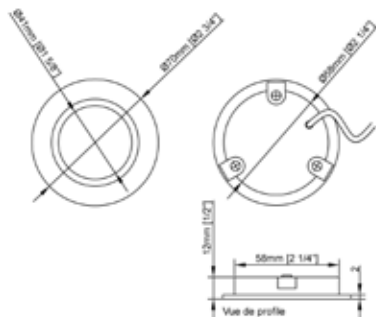
TITANIUM

TECHNOLOGY

TT-PUCK-2W



- Puck for kitchen cabinets.

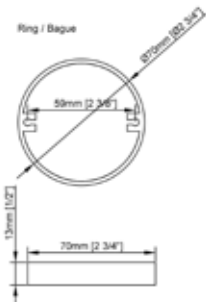
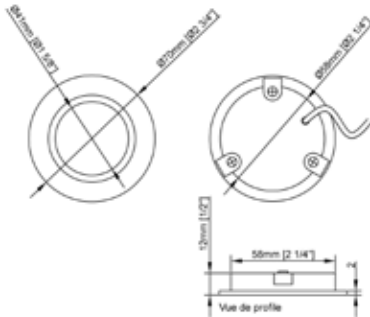


Voltage	12vDC
Power	2w
Amperage	0,16A
Angle	120°
Size	Ø70mm x 13mm Ø2 ³ / ₄ " x 1/2"
Cut hole	63 mm 2 ¹ / ₂ "
Finish	W - White BK - Black C - Silver
Dimmable	Yes
LED Colour	RGB30K - RGB + Warm white 3000K RGB40K - RGB + Neutral white 4000K RGB60K - RGB + Cold white 6000K
IP	20

TT-PUCK-3W



- Puck for kitchen cabinets.



Voltage	12vDC
Power	3w
Amperage	0,25A
Angle	120°
CRI	90
Lumen	230 (30K) 240 (40K) 260 (60K)
Size	Ø70mm x 13mm Ø2 ³ / ₄ " x 1/2"
Cut hole	63 mm 2 ¹ / ₂ "
Finish	W - White BK - Black C - Silver BR - Nickel Brush
Dimmable	Yes
Couleur DEL / LED Colour	27K - Warm white 2700K 30K - Warm white 3000K 40K - Neutral white 4000K 60K - Cold white 6000K
IP	20

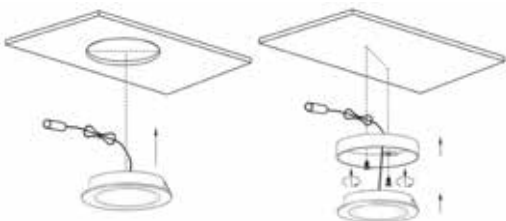
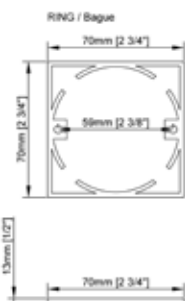
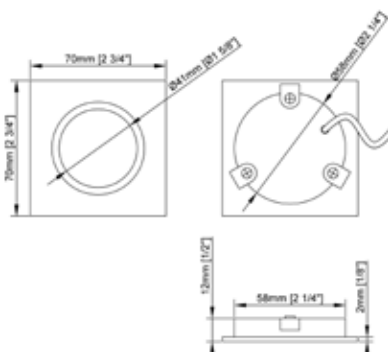
TITANIUM

TECHNOLOGY

TT-PUCK-3W-S



- Square puck for kitchen cabinets.

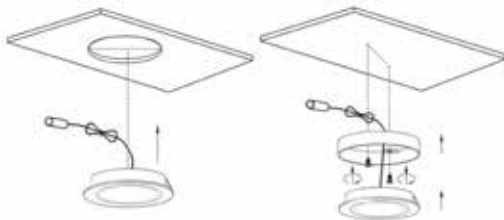
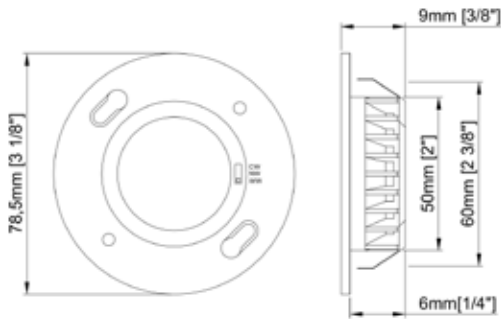


Voltage	12vDC
Power	3w
Amperage	0,25A
Angle	120°
Lumen	230 (30K) 240 (40K) 260 (60K)
Shape	S - Square
Size	Ø70mm x 13mm Ø2 3/4" x 1/2"
Cut hole	63 mm 2 1/2"
Finish	W - White BK - Black C - Silver BR - Nickel Brush
Dimmable	Yes
LED Colour	27K - Warm white 2700K 30K - Warm white 3000K 40K - Neutral white 4000K 60K - Cold white 6000K
IP	20

TT-PUCK-400-V3



- Puck for kitchen cabinets.



Voltage	12vDC
Power	3w
Amperage	0,25A
Angle	120°
Lumen	330 (30K) 350 (40K) 360 (60K)
CRI	90
Size	Ø78,5mm x 9mm Ø3 1/8" x 3/8"
Cut hole	63 mm 2 1/2"
Finish	W - White BK - Black C - Silver BR - Nickel Brush OR - Gold
Dimmable	Yes
LED Colour	CCT - Warm white 3000K Neutral white 4000K Cold white 6000K
IP	20

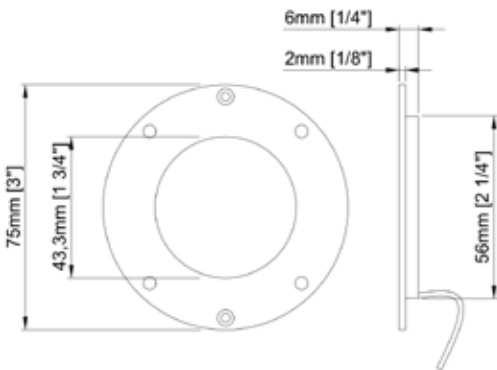
Accessories



TT-PUCK-2.2W



- Thin puck for kitchen cabinets.
- Three choice of finishing rings.



Voltage	12vDC
Power	2,2w
Amperage	0,183A
Angle	110°
Lumen	175 lm
CRI	90
Size	175 lm
Cut hole	56 mm 2 1/4"
Dimmable	Yes
LED Colour	27K - Blanc chaud 2700K / Warm white 7000K 30K - Blanc chaud 3000K / Warm white 3000K 40K - Blanc neutre 4000K / Neutral white 4000K 50K - Blanc froid 5000K / Cold white 5000K
IP	20

Accessories

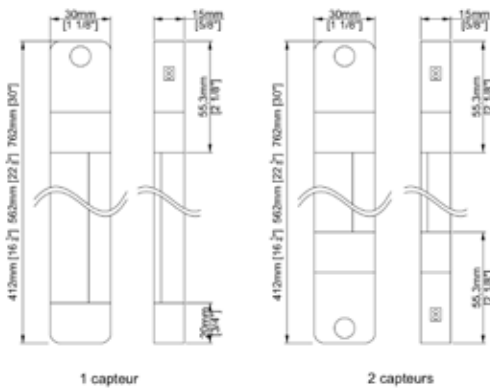


TT-CAB



- Wardrobe and drawer unit lighting.
- The sensor can be installed in or out according to the direction of the desired light.
- Available in three different lengths and two LED colors.

Voltage	12vDC		
Power	3,6W	5,4W	7,8W
Amperage	0,3A	0,45A	0,65A
Lumens	260~280	400~420	580~600
Length (L)	412mm	562mm	762mm
	16 ¹ / ₄ "	22 ¹ / ₈ "	30"
Size	L x 30mm x 15mm		
	L x 1 ³ / ₁₆ " x 9/ ₁₆ "		
Finish	Silver		
Dimmable	No		
LED Colour	30K - Warm white 2800~3300K		
	40K - Neutral white 4000~4500K		
IP	20		



TT-ACC-IR-01



- Recessed IR detector.
- 12 ~ 24vDC 30w-60w.
- Output input connector 2.1mm.
- Cut hole 10mm ($\frac{3}{8}$ ").

TT-ACC-IR-02



- Surface mount IR detector.
- 12 ~ 24vDC 30w-60w.
- Output input connector 2.1mm.

TT-ACC-IR-05



- Double recessed IR detector.
- 12 ~ 24vDC 30w-60w.
- Output input connector 2.1mm.
- Cut hole 10mm ($\frac{3}{8}$ ").

TT-ACC-IR-06



- Double surface mount IR detector.
- 12 ~ 24vDC 30w-60w.
- Output input connector 2.1mm.

TT-ACC-IR-11



- Recessed IR detector.
- Fade in Fade out.
- 12 ~ 24vDC 36w-72w..
- Output input connector 2.1mm.
- Cut hole 8mm

TT-ACC-IR-12



- Surface mount IR detector.
- Fade in Fade out.
- 12 ~ 24vDC 36w-72w.
- Output input connector 2.1mm.

TT-ACC-IR-15



- Double recessed IR detector.
- 12 ~ 24vDC 36w-72w.
- Output input connector 2.1mm.
- Cut hole 8mm.

TT-ACC-IR-16



- Double surface mount IR detector.
- Fade in Fade out.
- 12 ~ 24vDC 36w-72w.
- Output input connector 2.1mm.

TT-U-13



- Touch dimmer.
- 12 ~ 24vDC 30w-60w.
- Output input connector 2.1mm.
- Cut hole 14mm (1/2")

TT-U-14



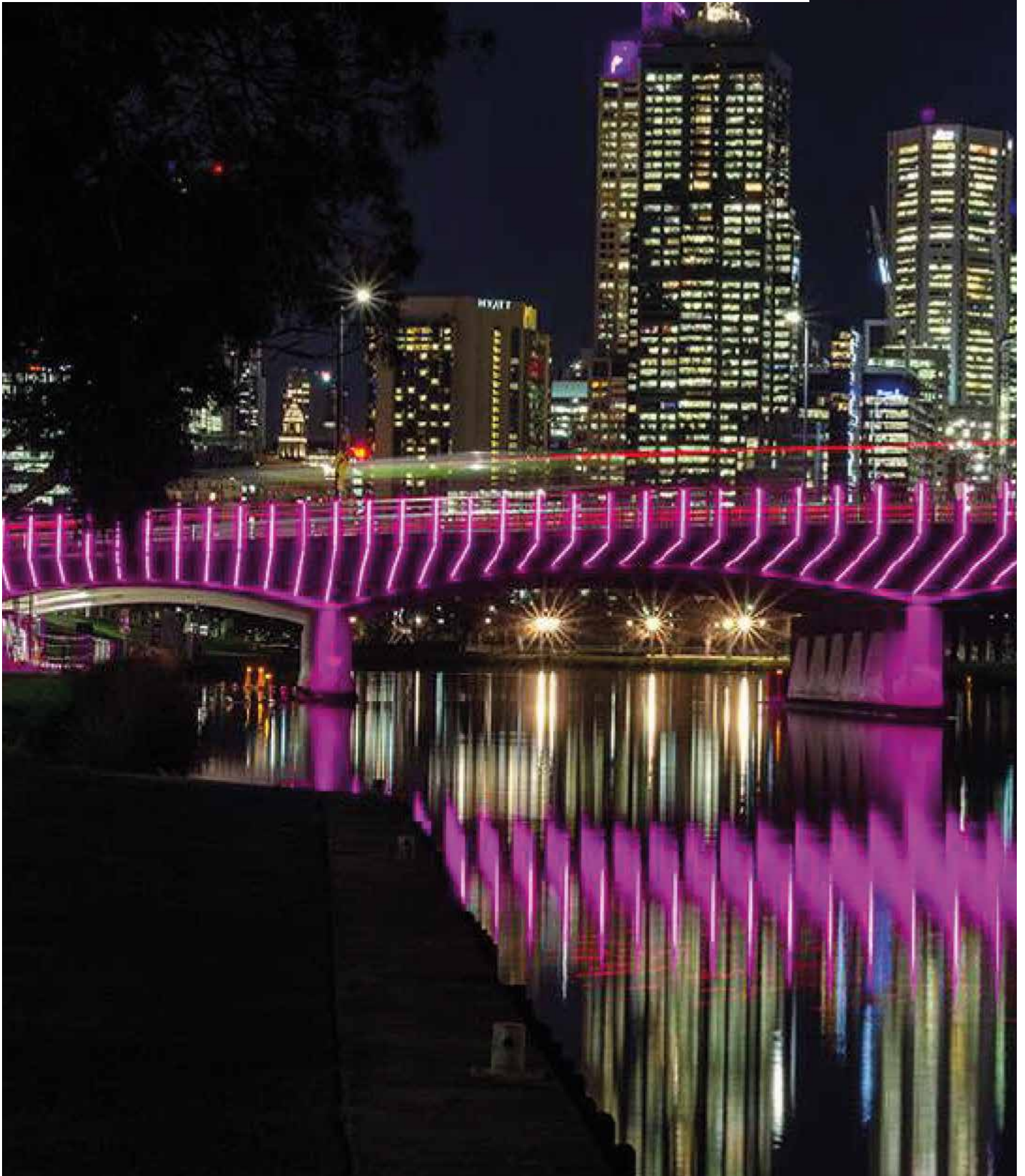
- Touch switch.
- 12 ~ 24vDC 36w-72w.
- Output input connector 2.1mm.
- Pass on the surface of wood board
- 32mm max. (1⁵/₁₆".)

TT-ACC-MOV-01

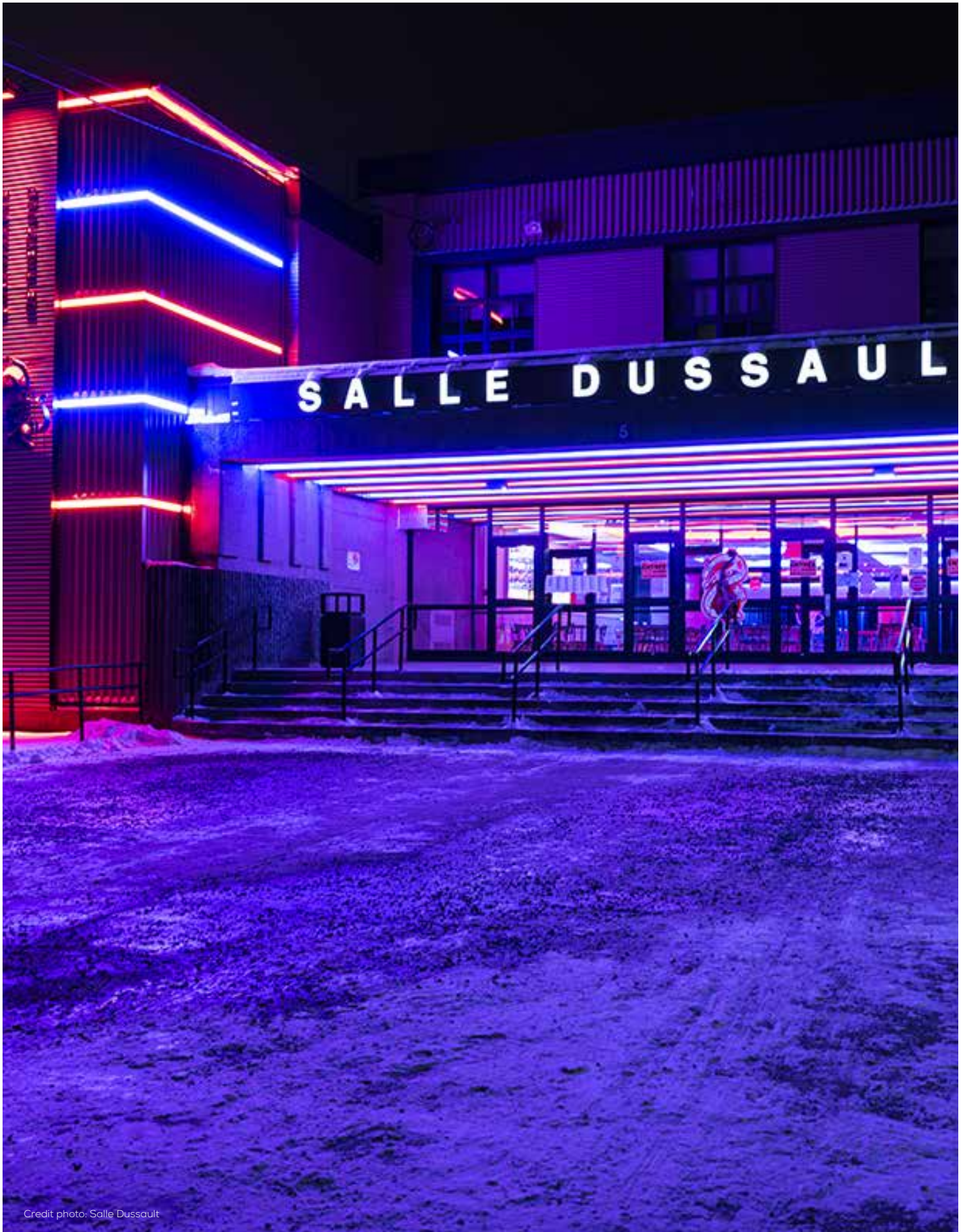


- Recessed motion detector.
- 12 ~ 24vDC 30w-60w.
- Output input connector 2.1mm.
- Cut hole 16mm (5/8").

ARCHITECTURAL







Credit photo: Salle Dussault



Voltage (vDC)	Power (W/m)	Angle beam (°)	Control
24	6	15	Whites - Triac RGBW - DMX

TT-FL02-6W Page 163



Voltage (vDC)	Power (W/m)	Angle beam (°)	Control
24	18	One color - 8,15,30,45 RGBW - 12,24,36	Whites - Triac RGBW - DMX

TT-FL02-18W Page 164



Voltage (vDC)	Power (W/m)	Angle beam (°)	Control
24	24	One color - 8,15,30,45 RGBW - 12,24,36	Whites - Triac RGBW - DMX

TT-FL02-24W Page 165



Voltage (vDC)	Power (W/m)	Angle beam (°)	Control
120	36	One color - 8,15,30,45 RGBW - 12,24,36	Whites - Triac RGBW - DMX

TT-FL02-36W Page 166



Voltage (vDC)	Power (W/m)	Angle beam (°)	Control
120	60	One color - 8,15,30,45 RGBW - 12,24,36	Whites - Triac RGBW - DMX

TT-FL05-60W Page 167



Voltage (vDC)	Power (W/m)	Angle beam (°)	Control
120	65	8, 15, 25, 45, 60, 10 x 30°	Whites - Triac RGBW - DMX

TT-FL02-65W Page 168



Voltage (vDC)	Power (W/m)	Angle beam (°)	Control
120	100	One color - 8,15,30,45 RGBW - 12,24,36	Whites - Triac RGBW - DMX

TT-FL07-100W Page 169



Voltage (vDC)	Power (W/m)	Angle beam (°)	Control
120	192	One color - 8 RGBW - 15, 10 x 30°	Whites - Triac RGBW - DMX

TT-FL02-192W Page 170



Voltage (vDC)	Power (W/m)	Angle beam (°)	Control
120	35	120	Triac

TT-FL04-35W Page 171





TT-FL04-24W Page 172

Voltage (VDC)	Power (W/m)	Angle beam (°)	Control
24	24	15, 30	DMX



TT-FLO4-12W Page 173

Voltage (VDC)	Power (W/m)	Angle beam (°)	Control
24	12	15, 30	DMX



TT-FL10-150W Page 174

Voltage (VDC)	Power (W/m)	Angle beam (°)	Control
100 ~ 277	150	One color - 8, 30, 40, 60 RGBW - 25	Whites - Triac RGBW - DMX



TT-UGD-001-6W Page 175

Voltage (VDC)	Power (W/m)	Angle beam (°)	Control
24	6	15	Triac



TT-UGD-001-3W Page 176

Voltage (VDC)	Power (W/m)	Angle beam (°)	Control
24	3	15	Triac



TT-STEP Page 177

Voltage (VDC)	Power (W/m)	Angle beam (°)	Control
12	0,7 0,8 RGB	-	Whites - Triac RGBW - PMW



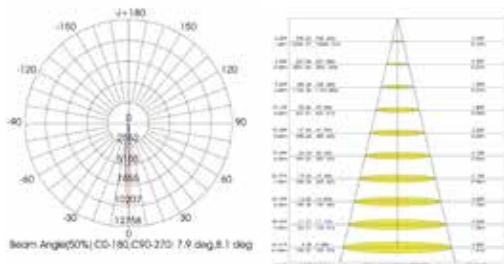
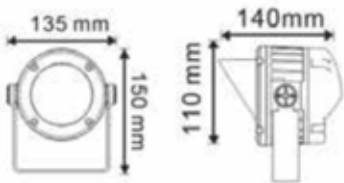
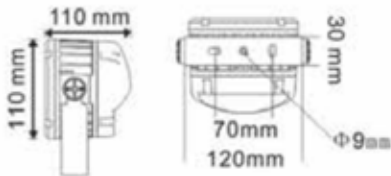
TITANIUM

TECHNOLOGY

TT-FL02-6W



- Architectural projector with fixed or variable colors. Controlled by DMX signal (RGBW) or by triac (one color).

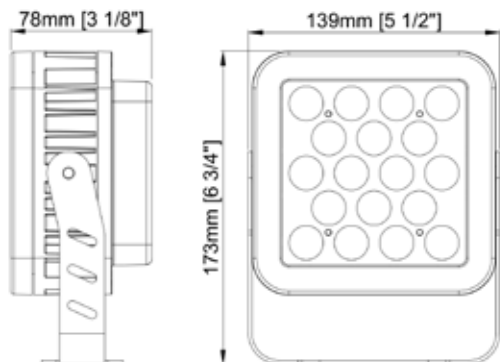


Voltage	24vDc
Power	6w
Amperage	0,25A
Angle	15°
Size	100 x 110 x 150mm 3 ¹⁵ / ₁₆ " x 4 ⁵ / ₁₆ " x 5 ¹⁵ / ₁₆ "
Finish	BK - Black WH - White GR - Grey
Dimmable	Yes
LED Colour	RGB30K - RGB + Warm white 3000K 4:1 RGB40K - RGB + Neutral white 4000K 4:1 RGB60K - RGB + Cold white 6000K 4:1 30K - Warm white 3000K 40K - Neutral white 4000K 60K - Cold white 6000K
IP	66
Operating temperature	-30°C ~ 45°C

TT-FL02-18W



- Architectural projector with fixed or variable colors. Controlled by DMX signal (RGBW) or by triac (one color).



Voltage	24vDC	
Power	18w	
Amperage	0,75A	
Angle	one colour	8°, 15°, 30°, 45°
	RGBW	12°, 24°, 36°
Size	173 x 139 x 78 mm 6 ³ / ₄ " x 5 ¹ / ₂ " x 3 ¹ / ₈ "	
Finish	BK - Black WH - White GR - Grey	
Dimmable	Yes	
LED Colour	RGB30K - RGB + Warm white 3000K 4:1 RGB40K - RGB + Neutral white 4000K 4:1 RGB60K - RGB + Cold white 6000K 4:1 30K - Warm white 3000K 40K - Neutral white 4000K 60K - Cold white 6000K	
IP	65	
Weight	1,94 Kg	
Operating temperature	-40°C ~ 50°C	

TITANIUM

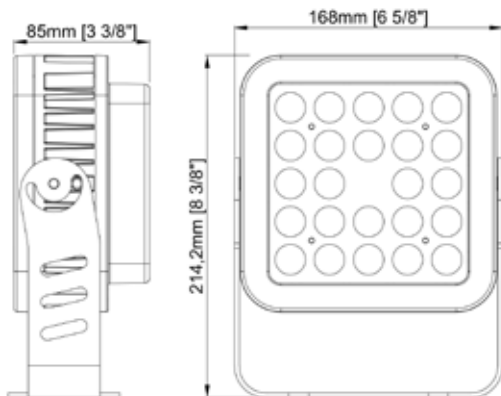
TECHNOLOGY

TT-FL02-24W



- Architectural projector with fixed or variable colors. Controlled by DMX signal (RGBW) or by triac (one color).

Voltage	24vDC	
Power	24w	
Amperage	1A	
Angle	one colour	8°, 15°, 30°, 45°
	RGBW	12°, 24°, 36°
Size	214 x 168 x 85 mm 8 ³ / ₈ " x 6 ⁵ / ₈ " x 3 ³ / ₈ "	
Finish	BK - Black WH - White GR - Grey	
Dimmable	Yes	
LED Colour	RGB30K - RGB + Warm white 3000K 4:1 RGB40K - RGB + Neutral white 4000K 4:1 RGB60K - RGB + Cold white 6000K 4:1 30K - Warm white 3000K 40K - Neutral white 4000K 60K - Cold white 6000K	
IP	65	
Operating temperature	-40°C ~ 50°C	



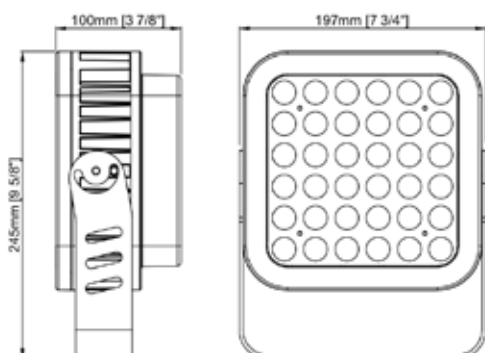
TITANIUM

TECHNOLOGY

TT-FL02-36W



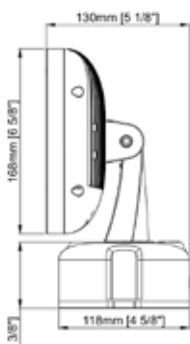
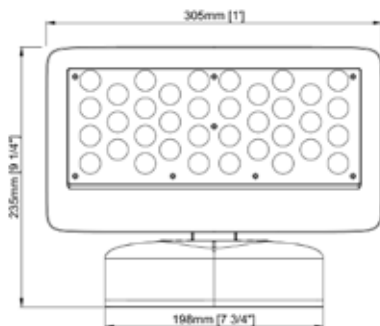
- Architectural projector with fixed or variable colors. Controlled by DMX signal (RGBW) or by triac (one color).



Voltage	120vAC	
Power	36w	
Amperage	0,3A	
Angle	one colour	8°, 15°, 30°, 45°
	RGBW	12°, 24°, 36°
Size	245 x 197 x 100 mm 9 ⁵ / ₈ " x 7 ³ / ₄ " x 3 ⁷ / ₈ "	
Finish	BK - Black WH - White GR - Grey	
Dimmable	Yes	
LED Colour	RGB30K - RGB + Warm white 3000K 4:1 RGB40K - RGB + Neutral white 4000K 4:1 RGB60K - RGB + Cold white 6000K 4:1 30K - Warm white 3000K 40K - Neutral white 4000K 60K - Cold white 6000K	
IP	65	
Operating temperature	-40°C ~ 50°C	



- Architectural projector with fixed or variable colors. Controlled by DMX signal (RGBW) or by triac (one color).

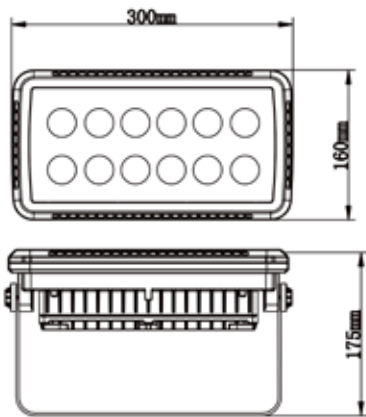


Voltage	120vAC	
Power	60w	
Amperage	0,5A	
Angle	one colour	8°, 15°, 30°, 45°
	RGBW	12°, 24°, 36°
Size	235x 305 x 130 mm 9 1/4" x 1" x 5 1/8"	
Finish	BK - Black WH - White GR - Grey	
Dimmable	Yes	
LED Colour	RGB30K - RGB + Warm white 3000K 4:1 RGB40K - RGB + Neutral white 4000K 4:1 RGB60K - RGB + Cold white 6000K 4:1 30K - Warm white 3000K 40K - Neutral white 4000K 60K - Cold white 6000K	
IP	65	
Operating temperature	-40°C ~ 50°C	

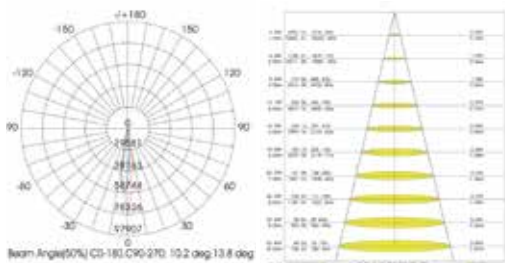
TT-FL02-65W



- Architectural projector with fixed or variable colors. Controlled by DMX signal (RGBW) or by triac (one color).



Voltage	120vDc
Power	65w
Amperage	0,83A
Angle	8°, 15°, 25°, 45°, 60°, 10 x 30°
Size	300 x 160 x 175 mm 15" x 9 ¹ / ₈ " x 4 ³ / ₄ "
Finish	BK - Black WH - White GR - Grey
Dimmable	Yes
LED Colour	RGB30K - RGB + Warm white 3000K 4:1 RGB40K - RGB + Neutral white 4000K 4:1 RGB60K - RGB + Cold white 6000K 4:1 27K - Warm white 2700K 30K - Warm white 3000K 40K - Neutral white 4000K 60K - Cold white 6000K
IP	66
Operating temperature	-30°C ~ 45°C



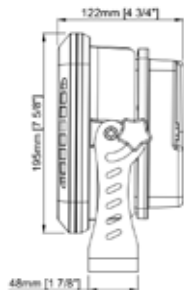
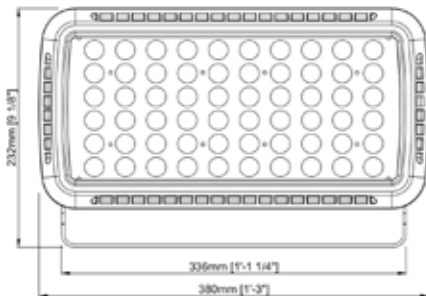
TITANIUM

TECHNOLOGY

TT-FL07-100W



- Architectural projector with fixed or variable colors. Controlled by DMX signal (RGBW) or by triac (one color).

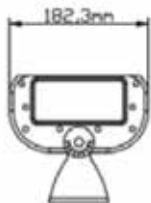
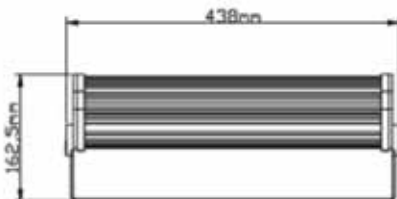


Voltage	120vAC	
Power	100w	
Amperage	0,83A	
Angle	one colour	8°, 15°, 30°, 45°
	RGBW	12°, 24°, 36°
Size	380x 232 x 122 mm 15" x 9 ¹ / ₈ " x 4 ³ / ₄ "	
Finish	BK - Black WH - White GR - Grey	
Dimmable	Yes	
LED Colour	RGB30K - RGB + Warm white 3000K 4:1 RGB40K - RGB + Neutral white 4000K 4:1 RGB60K - RGB + Cold white 6000K 4:1 30K - Warm white 3000K 40K - Neutral white 4000K 60K - Cold white 6000K	
IP	65	
Operating temperature	-40°C ~ 50°C	

TT-FL02-192W

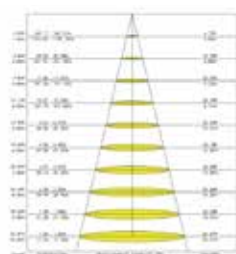
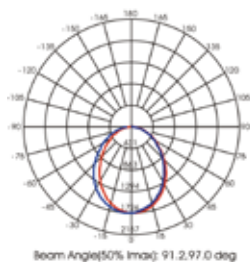


- Architectural projector with fixed or variable colors. Controlled by DMX signal (RGBW) or by triac (one color).



Voltage	120vDc	
Power	192w	
Amperage	1,6A	
Angle	one colour	8°
	RGBW	15°, 10 x 30°
Size	438 x 182 x 163mm 17 ¹ / ₄ " x 7 ⁵ / ₁₆ " x 6 ⁷ / ₁₆ "	
Finish	BK - Black WH - White GR - Grey	
Dimmable	30K, 40K, 60K	Yes via Triac
	RGBW	Yes via DMX
LED Colour	RGB30K - RGB + Warm white 3000K 4:1 RGB40K - RGB + Neutral white 4000K 4:1 RGB60K - RGB + Cold white 6000K 4:1 30K - Warm white 3000K 40K - Neutral white 4000K 60K - Cold white 6000K	
IP	65	
Operating temperature	-30°C ~ 45°C	

TT-FL04-35W



Voltage	120vDc
Power	35w
Amperage	0,3A
Angle	120°
Size	55 x 86.4 x 1200mm 2 ³ / ₁₆ " x 3 ⁷ / ₁₆ " x 47 ¹ / ₄ "
Finish	WH - White
Dimmable	Yes by Triac
LED Colour	30K - Warm white 3000K 40K - Neutral white 4000K 50K - Neutral white 5000K
IP	65
Operating temperature	-30°C ~ 45°C

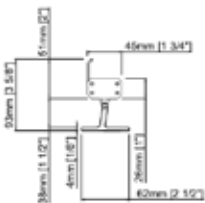


TT-FL04-24W



- RGBW quad bar.
- Twelve channels DMX.
- Waterproof connector

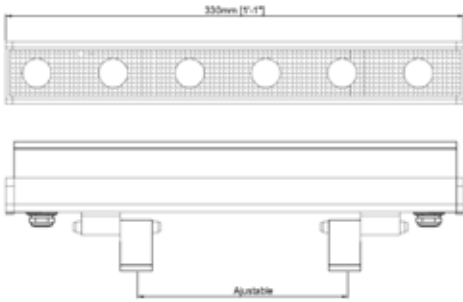
Voltage	24vDC
Power	24w
Amperage	1A
Angle	15°, 30°
Size	1000mm x 45mm x 75mm 39 ³ / ₈ " x 1 ³ / ₄ " x 3"
Finish	Black
Control	DMX (12 channels)
LED Colour	RGB30K - RGB + Warm white 3000K RGB40K - RGB + Neutral white 4000K RGB60K - RGB + Cold white 5000K
IP	65



TT-FL04-12W



- RGBW quad bar.
- Four channels DMX.
- Waterproof connector

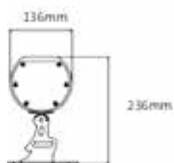
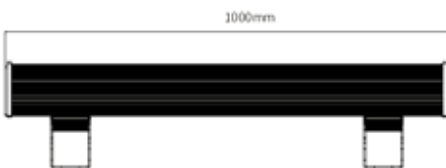


Voltage	24vDC
Power	12w
Amperage	0,5A
Angle	15°, 30°
Size	330mm x 45mm x 75mm 13" x 1 3/4" x 3"
Finish	Black
Control	DMX (4 channels)
LED Colour	RGB30K - RGB + Warm white 3000K RGB40K - RGB + Neutral white 4000K RGB60K - RGB + Cold white 5000K
IP	65

TT-FL10-150W



- Tough strong design, IP66 wallwasher light, fashion and beautiful appearance, with the design of increasing heat dissipation to fully ensure the stability and long lifespan of led fixtures. The light body adopts #6063 aluminium alloy molding, surface with anodizing treatment, lampshade adopts imported tempered glass, has excellent rainwater clean ability.

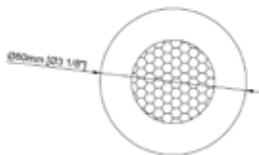


Voltage	100~277vAC	
Power	150w	
Amperage	1,25A	
Angle	one colour	8°, 30°, 40°, 60°
	RGBW	25°
Size	1000x 236 x 136 mm 39" x 9 ¹ / ₄ " x 5 ³ / ₈ "	
Finish	BK - Black WH - White GR - Grey	
Dimmable	30K, 40K, 60K	No
	RGBW	Yes via DMX
LED Colour	RGB30K - RGB + Warm white 3000K 4:1 RGB40K - RGB + Neutral white 4000K 4:1 RGB60K - RGB + Cold white 6000K 4:1 30K - Warm white 3000K 40K - Neutral white 4000K 60K - Cold white 5700K	
IP	66	
Operating temperature	-40°C ~ 50°C	

TT-UGD-001-6W



- IP67 light, water resistant, for indoor use, outdoor and humid place.



Voltage	24vDC
Power	6w
Amperage	0,25A
Angle	15°
Size	Ø80 mm x 63 mm Ø3 1/8" x 2 1/2"
Cut hole	56 mm 2 1/4"
Finish	Nickel brush
Dimmable	Yes
LED Colour	30K - Warm white 3000K 40K - Neutral white 4000K 60K - Cold white 5 0000K
IP	67
Operating temperature	-40°C ~ 50°C

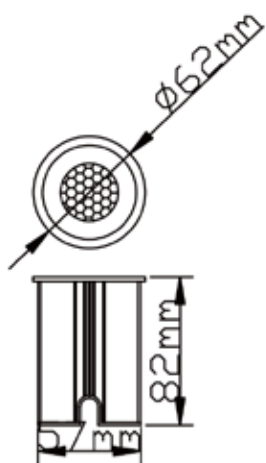
TITANIUM

TECHNOLOGY

TT-UGD-001-3W



- IP67 light, water resistant, for indoor use, outdoor and humid place.

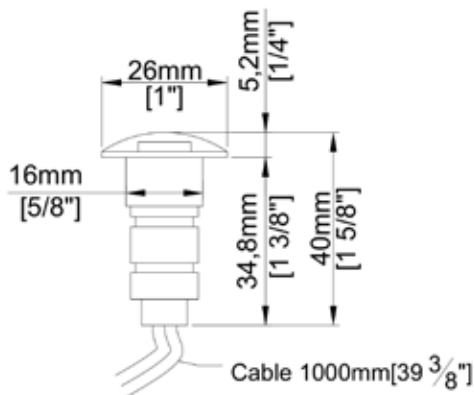


Voltage	24vDC
Power	3w
Amperage	0,125A
Angle	15°
Size	Ø62 X 82mm Ø2 ⁷ / ₁₆ " x 3 ¹ / ₄ "
Cut hole	56 mm 2 ¹ / ₄ "
Finish	Nickel brush
Dimmable	Yes
LED Colour	27K - Warm white 2700K 30K - Warm white 3000K 40K - Neutral white 4000K 60K - Cold white 5 0000K
IP	67
Operating temperature	-30°C ~ 45°C

TT-STEP

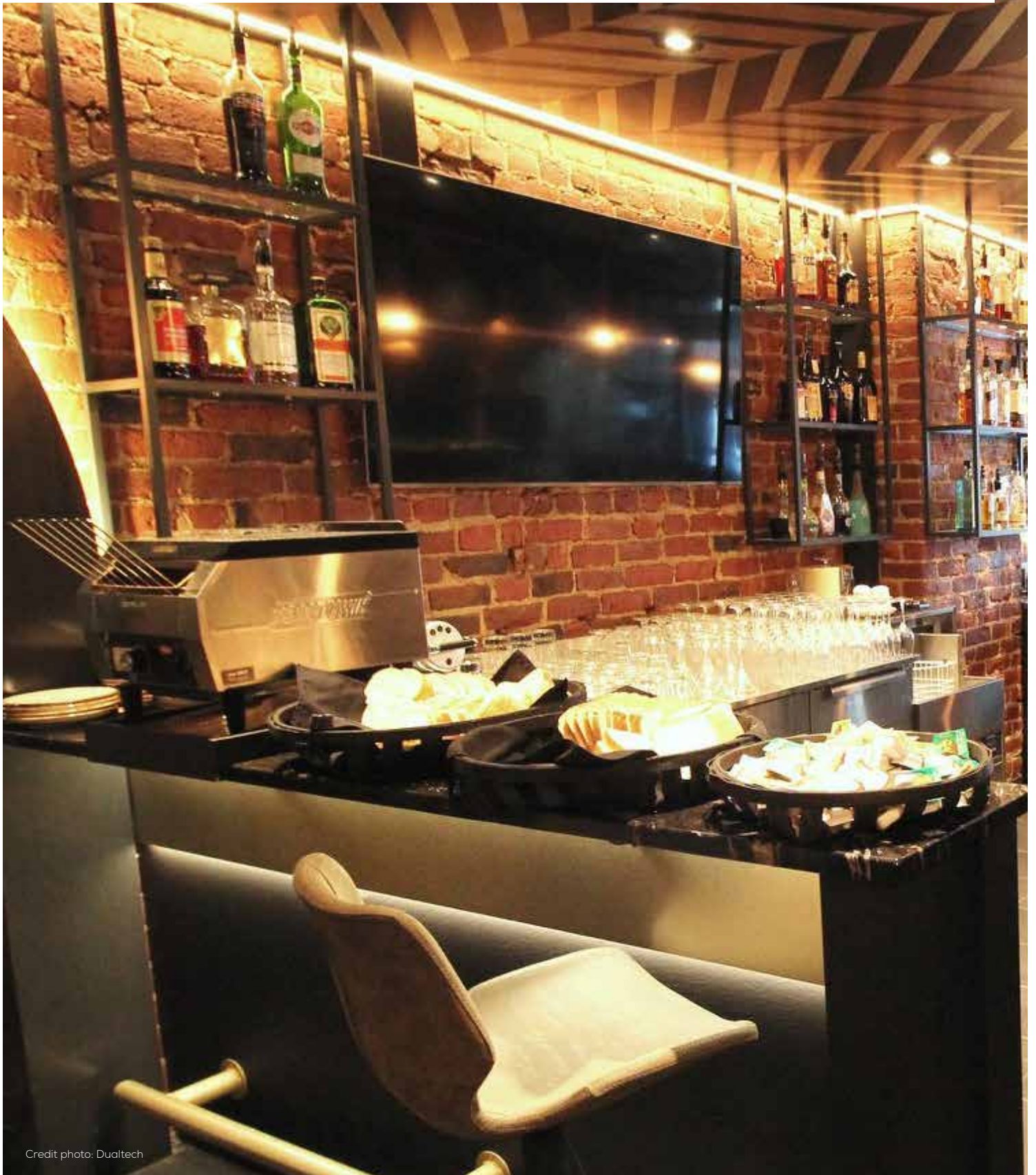


- IP65 light, water resistant, for indoor use, outdoor and humid place.
- Ideal for stairs.

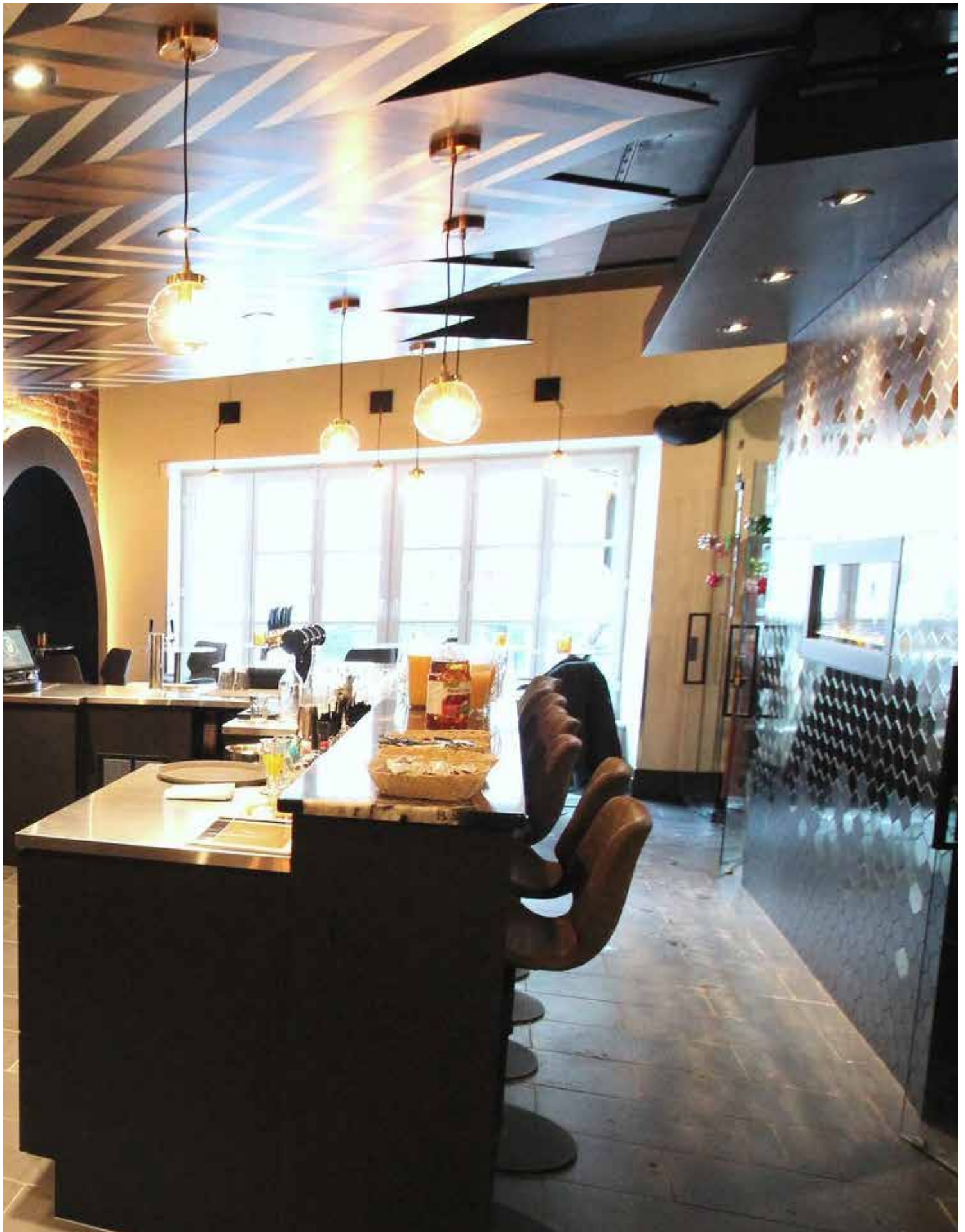


Voltage	12vDC
Power	0,7W RGB 0.8W
Amperage	0,06A
Lumen	17 lm (30K) 20 lm (40K) 22 lm (50K)
Size	Ø26mm x 40mm Ø1" x 1 5/8"
Cut hole	16mm 5/8"
Finish	SA - Silver
Dimmable	Yes
LED Colour	30K - Warm white 3000K 40K - Neutral white 4000K 50K - Cold white 5000K RGB - Color mixing 3:1
IP	65

RECESSED SPOTLIGHT



Credit photo: Dualtech





Credit photo: Armoire Passion

TT-DOWN-007-3W Page 182



Voltage (vDC)	Power (W/m)	Luminous flux			Cut hole (mm)	Dimmable
12	3	30K 150	40K 165	60K 180	45	Yes



TT-DOWN-008-3W Page 183



Voltage (vDC)	Power (W/m)	Luminous flux			Cut hole (mm)	Dimmable
12	3	30K 150	40K 165	60K 180	50	Yes



TT-DOWN-016 Page 184



Voltage (vDC)	Power (W/m)	Luminous flux (L/W)	Cut hole (mm)	Dimmable
120, 12	12	72	86	Yes with app



TT-P120D-9W-120W Page 185



Voltage (vDC)	Power (W/m)	Luminous flux	Cut hole (mm)	Dimmable
120	9	800 ~ 850	102	Yes



TT-P120D-9W-12W Page 186



Voltage (vDC)	Power (W/m)	Luminous flux	Cut hole (mm)	Dimmable
12	9	800 ~ 850	102	Yes



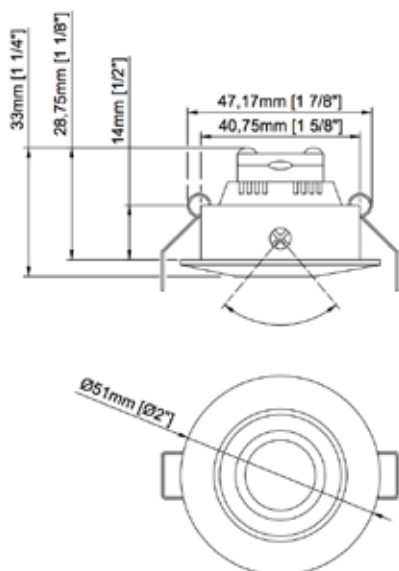
TITANIUM

TECHNOLOGY

TT-DOWN-007-3W



- Recessed spotlight with adjustable beam.



Voltage	12vDC
Power	3w
Amperage	0,25A
Angle	15°, 30°, 45°, 60°
Lumen	150 (30K) 165 (40K) 180 (60K)
Size	Ø51 mm x 32 mm Ø2" x 1 1/4"
Cut hole	45 mm 1 3/4"
Finish	WH - White C - Silver BK - Black
Dimmable	Yes
LED Colour	30K - Warm white 2800~3200K 40K - Neutral white 4000~4500K 60K - Cold white 6000~6500K
IP	44

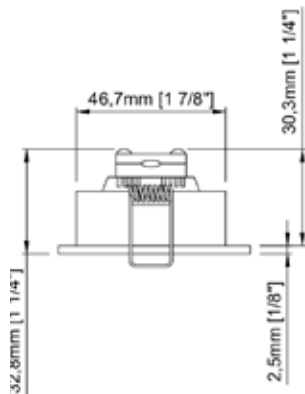
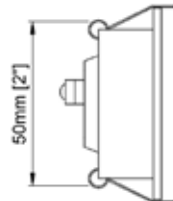
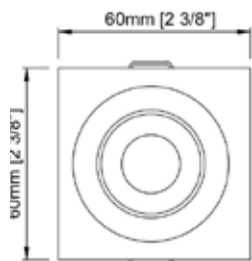
TITANIUM

TECHNOLOGY

TT-DOWN-008-3W



- Recessed spotlight with adjustable beam.



Voltage	12vDC
Power	3w
Amperage	0,25A
Angle	15°, 30°, 45°, 60°
Lumen	150 (30K) 165 (40K) 180 (60K)
Size	60 mm x 60 mm x 32 mm 2 ³ / ₈ " x 2 ³ / ₈ " x 1 ¹ / ₄ "
Cut hole	50 mm 2"
Finish	WH - White C - Brush aluminum BK - Black
Dimmable	Yes
LED Colour	30K - Warm white 2800~3200K 40K - Neutral white 4000~4500K 60K - Cold white 6000~6500K
IP	44

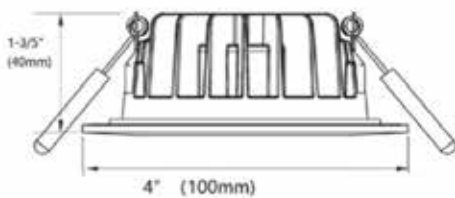
TITANIUM

TECHNOLOGY

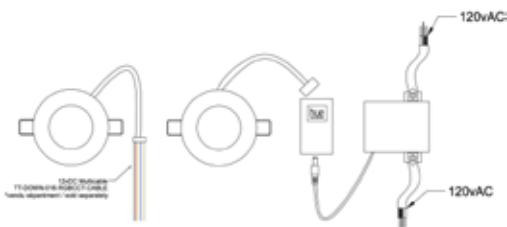
TT-DOWN-016



- This light fixture features a RGB +Tunable white COB that communicated through Hue/ Echo Plus hub
- Suitable for damp location.
- 120vAC junction box include.



Voltage	120vAC, 12vDC
Power	12W
Amperage	1A
Angle	60°
Lumen	72lm/w
Size	Ø100mm x 40mm Ø4" x 1 ⁵ / ₈ "
Cut hole	86mm 3 ³ / ₈ "
Finish	WH - White BR - Brush nickel BK - Black
Dimmable	Yes with app
LED Colour	RGB CCT - RGB + Warm white 2700K + Cold white 5000K
IP	44



Accessories



PHILIPS HUE BRIDGE V2



TT-DOWN-016-RGBCCT-CABLE

TITANIUM

TECHNOLOGY

TT-P120D-9W-120V

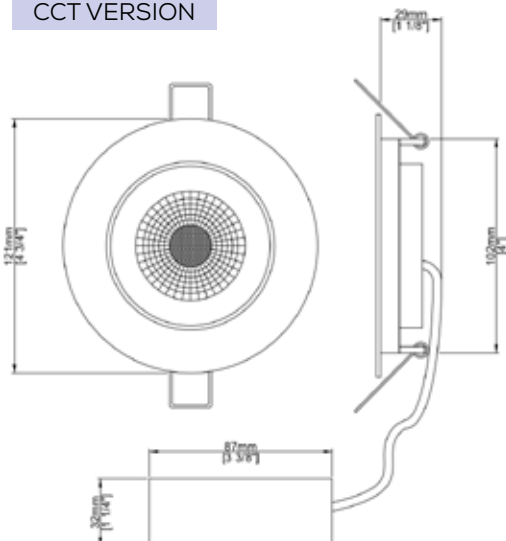


- Recessed with 120vAC junction box.
- Ideal for suspended ceilings and restricted place in clearance..
- Adjustable beam.
- Color temperature selector for the CCT version.
- Color temperature dimmable according to intensity for DW version (100% -3000K to 10% -2000K)

Voltage	120vAC
Power	9W
Amperage	0,06A
Angle	40°
Lumen	800~850
CRI	90
Size	Ø121 mm x 30mm Ø 4 ³ / ₄ " x 1 ¹ / ₈ "
Cut hole	102mm 4"
Finish	WH - White BR - Brush nickel BK - Black
Dimmable	Yes
LED Colour	27K - Warm white 2700K 30K - Warm white 3000K 40K - Neutral white 4000K 50K -Cold white 5000K CCT -White 3000K-4000K-5000K DIM -Dim to warm 3000K~2000K
IP	44



CCT VERSION



TITANIUM

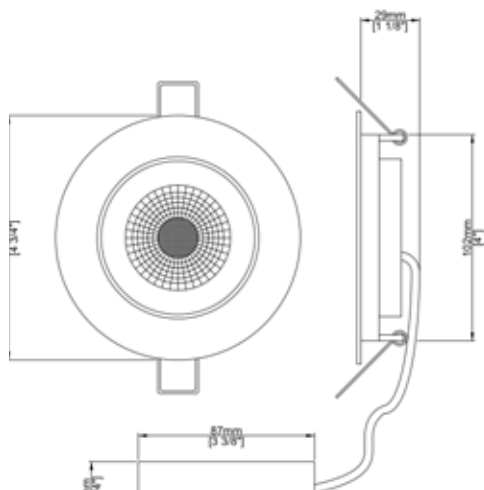
TECHNOLOGY

TT-P120D-9W-12V



- Ideal for suspended ceilings and restricted place in clearance..
- Adjustable beam.

Voltage	12vDC
Power	9W
Amperage	0,75A
Angle	40°
Lumen	800~850
Size	Ø121 mm x 30mm Ø 4 ³ / ₄ " x 1 ¹ / ₈ "
Cut hole	102mm 4"
Finish	WH - Blanc / White BR - Nickel brossé / Brush nickel BK - Noir / Black
Dimmable	Yes
LED Colour	27K - Blanc chaud / Warm white 2700K 30K - Blanc chaud / Warm white 3000K 40K - Blanc neuZtre / Neutral white 4000K 50K -Blanc froid / Cold white 5000K
IP	44



TRACK LIGHTING SYSTEM







TT-TRK-TRACK Page 197

Voltage (vDC)	Power (W/m)	Luminous flux (lm/m)	Angle beam (°)
24	-	-	-



TT-TRK-TRACK-PL Page 198

Voltage (vDC)	Power (W/m)	Luminous flux (lm/m)	Angle beam (°)
24	-	-	-



TT-TRK-1X1 Page 199

Voltage (vDC)	Power (W/m)	Luminous flux (lm/m)	Angle beam (°)
24	2	120	34



TT-TRK-3X1 Page 200

Voltage (vDC)	Power (W/m)	Luminous flux (lm/m)	Angle beam (°)
24	4	380	34



TT-TRK-6X1 Page 201

Voltage (vDC)	Power (W/m)	Luminous flux (lm/m)	Angle beam (°)
24	8	790	34



TT-TRK-12X1 Page 202

Voltage (vDC)	Power (W/m)	Luminous flux (lm/m)	Angle beam (°)
24	16	1550	34



TT-TRK-3X1D Page 203

Voltage (vDC)	Power (W/m)	Luminous flux (lm/m)	Angle beam (°)
24	4	380	34



TT-TRK-6X1D Page 204

Voltage (vDC)	Power (W/m)	Luminous flux (lm/m)	Angle beam (°)
24	8	790	34



TT-TRK-12X1D Page 205

Voltage (vDC)	Power (W/m)	Luminous flux (lm/m)	Angle beam (°)
24	16	1550	34





TT-TRK-322 Page 206

Voltage (vDC)	Power (W/m)	Luminous flux (lm/m)	Angle beam (°)
24	13	980	120



TT-TRK-640 Page 207

Voltage (vDC)	Power (W/m)	Luminous flux (lm/m)	Angle beam (°)
24	26	1900	120



TT-TRK-958 Page 208

Voltage (vDC)	Power (W/m)	Luminous flux (lm/m)	Angle beam (°)
24	39	2850	120



TT-TRK-84D Page 209

Voltage (vDC)	Power (W/m)	Luminous flux (lm/m)	Angle beam (°)
24	4	280	120



TT-TRK-164D Page 210

Voltage (vDC)	Power (W/m)	Luminous flux (lm/m)	Angle beam (°)
24	8	500	120



TT-TRK-323D Page 211

Voltage (vDC)	Power (W/m)	Luminous flux (lm/m)	Angle beam (°)
24	16	980	120



TT-TRK-BALL Page 212

Voltage (vDC)	Power (W/m)	Luminous flux (lm/m)	Angle beam (°)
24	5	290	360



TT-TRK-15 Page 213

Voltage (vDC)	Power (W/m)	Luminous flux (lm/m)	Angle beam (°)
24	8	380	120



TT-TRK-30 Page 214

Voltage (vDC)	Power (W/m)	Luminous flux (lm/m)	Angle beam (°)
24	16	880	120





Voltage (vDC)	Power (W/m)	Luminous flux (lm/m)	Angle beam (°)
24	5	440	40

TT-TRK-5W-1 Page 215



Voltage (vDC)	Power (W/m)	Luminous flux (lm/m)	Angle beam (°)
24	2 x 5W	880	40

TT-TRK-5W-2 Page 216



Voltage (vDC)	Power (W/m)	Luminous flux (lm/m)	Angle beam (°)
24	8	405	20

TT-TRK-8W-1 Page 217



Voltage (vDC)	Power (W/m)	Luminous flux (lm/m)	Angle beam (°)
24	10	780	24

TT-TRK-10W-1 Page 218



Voltage (vDC)	Power (W/m)	Luminous flux (lm/m)	Angle beam (°)
24	15	905	20

TT-TRK-15W-1 Page 219



Voltage (vDC)	Power (W/m)	Luminous flux (lm/m)	Angle beam (°)
24	20	1450	24

TT-TRK-20W-1 Page 220



Voltage (vDC)	Power (W/m)	Luminous flux (lm/m)	Angle beam (°)
24	10	780	200

TT-TRK-10W-1Z Page 221



Voltage (vDC)	Power (W/m)	Luminous flux (lm/m)	Angle beam (°)
24	12	650	Diffuse

TT-TRK-120C Page 222



Voltage (vDC)	Power (W/m)	Luminous flux (lm/m)	Angle beam (°)
24	12	650	Diffuse

TT-TRK-164C Page 223





TT-TRK-12X1W-C Page 224

Voltage (vDC)	Power (W/m)	Luminous flux (lm/m)	Angle beam (°)
24	12	1150	34



TT-TRK-18X1W-C Page 225

Voltage (vDC)	Power (W/m)	Luminous flux (lm/m)	Angle beam (°)
24	18	1750	34



TT-TRK-SUSP-BALL Page 226

Voltage (vDC)	Power (W/m)	Luminous flux (lm/m)	Angle beam (°)
24	5	290	-



TT-TRK-SUSP-8W Page 227

Voltage (vDC)	Power (W/m)	Luminous flux (lm/m)	Angle beam (°)
24	8	405	24



TT-TRK-SUSP-5W Page 228

Voltage (vDC)	Power (W/m)	Luminous flux (lm/m)	Angle beam (°)
24	5	450	30



TT-TRK-SUSP-10W Page 229

Voltage (vDC)	Power (W/m)	Luminous flux (lm/m)	Angle beam (°)
24	10	780	36





TT-TRK-SUSP-CONE Page 230

Voltage (vDC)	Power (W/m)	Luminous flux (lm/m)	Angle beam (°)
24	10	480	Diffuse



TT-TRK-TRACK-R Page 231

Voltage (vDC)	Power (W/m)	Luminous flux (lm/m)	Angle beam (°)
24	200 max.	-	-



TT-TRK-TRACK-R1/2 Page 232

Voltage (vDC)	Power (W/m)	Luminous flux (lm/m)	Angle beam (°)
24	200 max.	-	-



TT-TRK-TRACK-R1/4 Page 233

Voltage (vDC)	Power (W/m)	Luminous flux (lm/m)	Angle beam (°)
24	200 max.	-	-



TT-TRK-8W-1R Page 234

Voltage (vDC)	Power (W/m)	Luminous flux (lm/m)	Angle beam (°)
24	8	405	30



TT-TRK-SUSP-10W-R Page 235

Voltage (vDC)	Power (W/m)	Luminous flux (lm/m)	Angle beam (°)
24	10	780	36



TT-TRK-15W-1R Page 236

Voltage (vDC)	Power (W/m)	Luminous flux (lm/m)	Angle beam (°)
24	15	905	30





TT-TRK-6X1R Page 237

Voltage (VDC)	Power (W/m)	Luminous flux (lm/m)	Angle beam (°)
24	8	790	34



TT-TRK-163R Page 238

Voltage (VDC)	Power (W/m)	Luminous flux (lm/m)	Angle beam (°)
24	8	500	Diffuse



TT-TRK-5W-1R Page 239

Voltage (VDC)	Power (W/m)	Luminous flux (lm/m)	Angle beam (°)
24	5	440	90



TT-TRK-10W-1R Page 240

Voltage (VDC)	Power (W/m)	Luminous flux (lm/m)	Angle beam (°)
24	10	780	24



TT-TRK-BALL-R Page 241

Voltage (VDC)	Power (W/m)	Luminous flux (lm/m)	Angle beam (°)
24	5	290	220



TT-TRK-TRACK



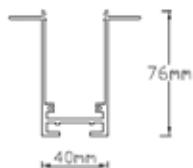
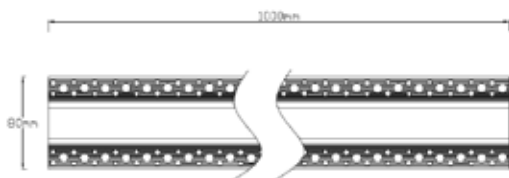
Voltage	24vDC	
Size	1000mm x 40mm x 76mm 39 ³ / ₈ " x 1 ¹ / ₂ " x 3"	3000mm x 40mm x 76mm 118 ¹ / ₄ " x 1 ¹ / ₂ " x 3"
Cut hole	40mm 1 ⁹ / ₁₆ "	
Finish	BK - Black W - White WOOD - Wood	
IP	20	



TITANIUM

TECHNOLOGY

TT-TRK-TRACK-PL



Voltage	24vDC
Size	1000mm x 40mm x 76mm 39 ³ / ₈ " x 1 ⁵ / ₈ " x 3"
Cut hole	40mm 1 ⁵ / ₈ "
Finish	WH - White BK- Black
IP	20

TITANIUM

TECHNOLOGY

TT-TRK-1X1



34mm



56mm

34mm

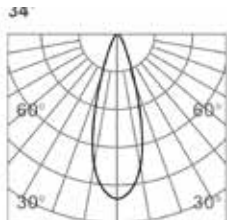


56mm

34mm



34mm



h(m)	E(lx)	Φ(m)
1	429	Φ0.71
2	107	Φ1.43
3	47	Φ2.15
4	26	Φ2.87
5	17	Φ3.59

Voltage 24vDC

Amperage 0,09A

Power LED 2,16W

Lumens 120 lm

CRI 90

Angle 34°

LED Color
 27K - Warm white 2700K
 30K - Warm white 3000K
 40K - Neutral white 4000K

Dimmable Yes

Size
 34 x 34 x 56 mm
 1⁵/₁₆" x 1⁵/₁₆" x 2³/₁₆"

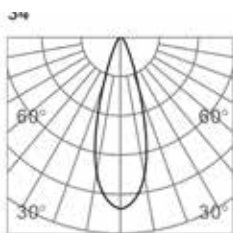
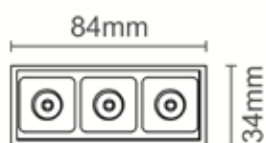
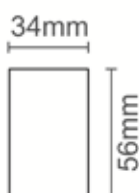
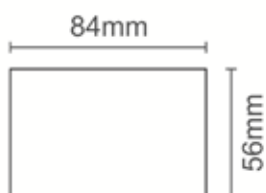
Finish
 BK - Black
 WH - White

IP 20

TITANIUM

TECHNOLOGY

TT-TRK-3X1



h(m)	E(lx)	Φ(m)
1	1238	Φ0.61
2	309	Φ1.22
3	137	Φ1.83
4	77	Φ2.44
5	49	Φ3.05

Voltage 24vDC

Amperage 0,19A

Power LED 4,56W

Lumens 380 lm

CRI 90

Angle 34°

LED Color
 27K - Warm white 2700K
 30K - Warm white 3000K
 40K - Neutral white 4000K
 50K - Cold white 5000K

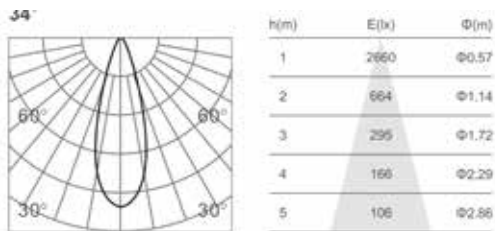
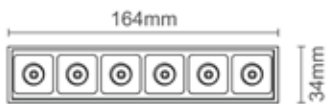
Dimmable Yes

Size 84 x 34 x 56 mm
 3¹/₄" x 1⁵/₁₆" x 2³/₁₆"

Finish BK - Black
 WH - White

IP 20

TT-TRK-6X1

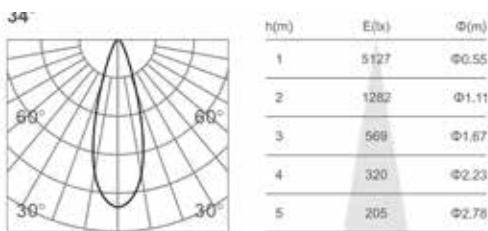
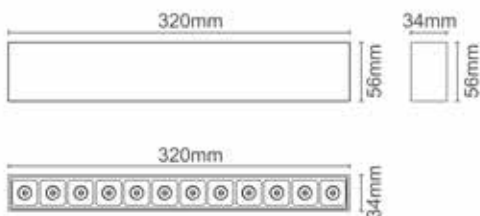


Voltage	24vDC
Amperage	0,36A
Power LED	8,64W
Lumens	790 lm
CRI	90
Angle	34°
LED Color	27K - Warm white 2700K 30K - Warm white 3000K 40K - Neutral white 4000K 50K - Cold white 5000K
Dimmable	Yes
Size	164 x 34 x 56 mm 6 ⁷ / ₁₆ x 1 ⁵ / ₁₆ x 2 ³ / ₁₆ "
Finish	BK - Black WH - White
IP	20

TITANIUM

TECHNOLOGY

TT-TRK-12X1



Voltage 24vDC

Amperage 0,72A

Power LED 17,28W

Lumens 1550 lm

CRI 90

Angle 34°

LED Color
27K - Warm white 2700K
30K - Warm white 3000K
40K - Neutral white 4000K
50K - Cold white 5000K

Dimmable Yes

Size 320 x 34 x 56 mm
 12¹/₂ x 1⁵/₁₆ x 2³/₁₆"

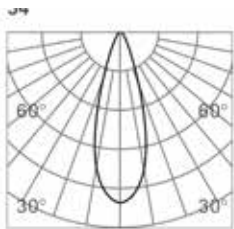
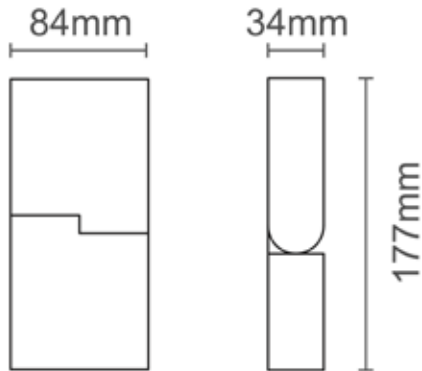
Finish **BK** - Black
WH - White

IP 20

TITANIUM

TECHNOLOGY

TT-TRK-3X1D



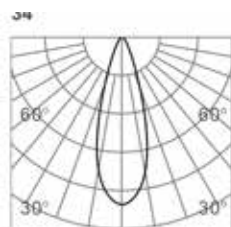
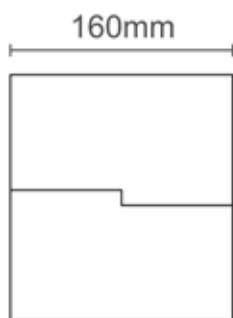
h(m)	E(lx)	Φ(m)
1	1236	Φ0.61
2	309	Φ1.22
3	137	Φ1.83
4	77	Φ2.44
5	49	Φ3.05

Voltage	24vDC
Amperage	0,19A
Power LED	4,56W
Lumens	380 lm
CRI	90
Angle	34°
LED Color	27K - Warm white 2700K 30K - Warm white 3000K 40K - Neutral white 4000K 50K - Cold white 5000K
Dimmable	Yes
Size	84 x 34 x 177 mm 3 1/4" x 1 5/16" x 7"
Finish	BK - Black WH - White
IP	20

TITANIUM

TECHNOLOGY

TT-TRK-6X1D



h(m)	E(lx)	Φ(m)
1	2860	Φ0.57
2	664	Φ1.14
3	295	Φ1.72
4	166	Φ2.29
5	106	Φ2.86

Voltage 24vDC

Amperage 0,36A

Power LED 8,64W

Lumens 790 lm

CRI 90

Angle 34°

LED Color
 27K - Warm white 2700K
 30K - Warm white 3000K
 40K - Neutral white 4000K
 50K - Cold white 5000K

Dimmable Yes

Size 160 x 34 x 177 mm
 6¹/₄" x 1³/₈" x 7"

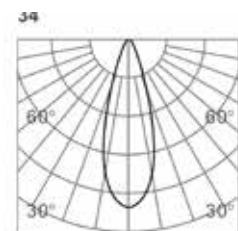
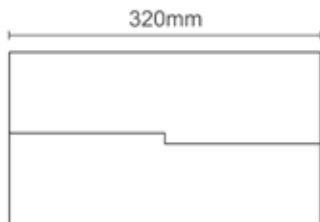
Finish BK - Black
 WH - White

IP 20

TITANIUM

TECHNOLOGY

TT-TRK-12X1D



h(m)	E(lx)	Φ(m)
1	5127	Φ0.55
2	1282	Φ1.11
3	569	Φ1.67
4	320	Φ2.23
5	205	Φ2.78

Voltage	24vDC
Amperage	0,72A
Power LED	17,28W
Lumens	1550 lm
CRI	90
Angle	34°
LED Color	27K - Warm white 2700K 30K - Warm white 3000K 40K - Neutral white 4000K 50K - Cold white 5000K
Dimmable	Yes
Size	320 x 34 x 177 mm 12 ¹ / ₂ " x 1 ⁵ / ₁₆ " x 7"
Finish	BK - Black WH - White
IP	20

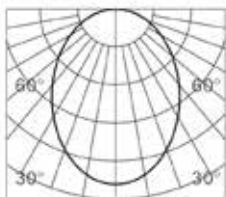
TITANIUM

TECHNOLOGY

TT-TRK-322



Diffuse



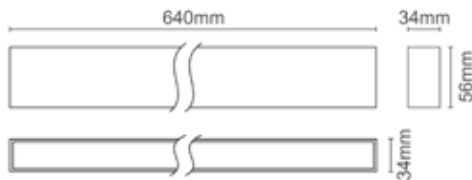
h(m)	E(lx)	Φ(m)
1	420	Φ2.51
2	106	Φ5.02
3	47	Φ7.53
4	26	Φ10.04
5	17	Φ12.55

Voltage	24vDC
Amperage	0,7A
Power LED	16,8W
Lumens	980 lm
CRI	90
Angle	120°
LED Color	27K - Warm white 2700K 30K - Warm white 3000K 40K - Neutral white 4000K 50K - Cold white 5000K
Dimmable	Yes
Size	320 x 34 x 56 mm 12 ⁵ / ₈ " x 1 ⁵ / ₁₆ " x 2 ³ / ₁₆ "
Finish	BK - Black WH - White
IP	20

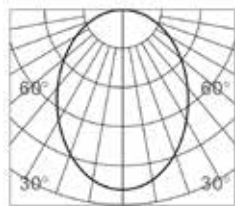
TITANIUM

TECHNOLOGY

TT-TRK-640



Diffuse



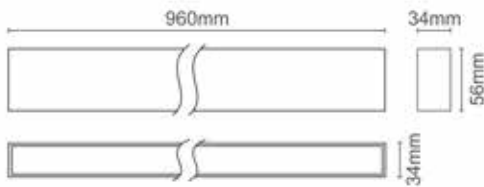
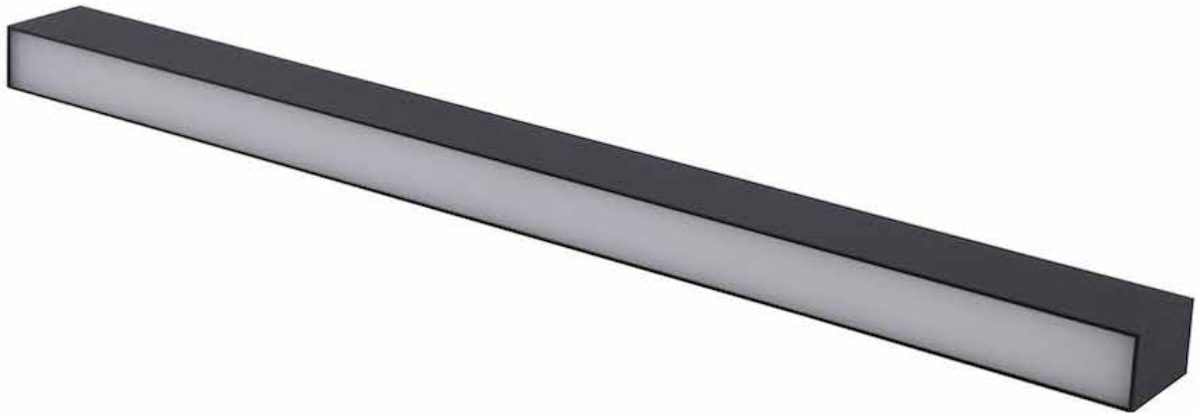
h(m)	E(lx)	Φ(m)
1	479	Φ2.65
2	119	Φ5.30
3	53	Φ7.95
4	29	Φ10.60
5	19	Φ13.25

Voltage	24vDC
Amperage	1,08A
Power LED	26W
Lumens	1900 lm
CRI	90
Angle	120°
LED Color	27K - Warm white 2700K 30K - Warm white 3000K 40K - Neutral white 4000K 50K - Cold white 5000K
Dimmable	Yes
Size	640 x 34 x 56 mm 25 ¹ / ₄ " x 1 ⁵ / ₁₆ " x 2 ³ / ₁₆ "
Finish	BK - Black WH - White
IP	20

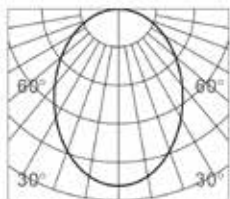
TITANIUM

TECHNOLOGY

TT-TRK-958



Diffuse



h(m)	E(lx)	Φ(m)
1	889	Φ2.23
2	222	Φ4.46
3	98	Φ6.69
4	56	Φ8.92
5	35	Φ11.15

Voltage 24vDC

Amperage 1,625A

Power LED 39W

Lumens 2850 lm

CRI 90

Angle 120°

LED Color
27K - Warm white 2700K
30K - Warm white 3000K
40K - Neutral white 4000K
50K - Cold white 5000K

Dimmable Yes

Size 960 x 34 x 56 mm
 37⁵/₁₆" x 1⁵/₁₆" x 2³/₁₆"

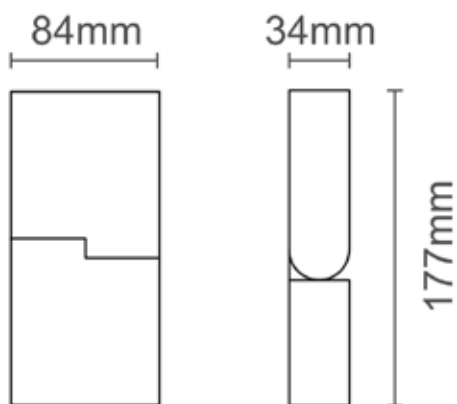
Finish **BK** - Black
WH - White

IP 20

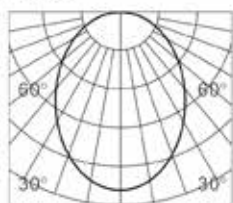
TITANIUM

TECHNOLOGY

TT-TRK-84D



Diffuse



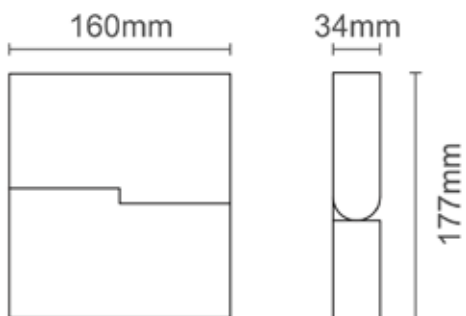
h(m)	E(lx)	Φ(m)
1	105.5	Φ2.60
2	26.3	Φ5.20
3	11.7	Φ7.80
4	6.5	Φ10.40
5	4.2	Φ13.00

Voltage	24vDC
Amperage	0,18A
Power LED	4,32W
Lumens	280 lm
CRI	90
Angle	120°
LED Color	27K - Warm white 2700K 30K - Warm white 3000K 40K - Neutral white 4000K 50K - Cold white 5000K
Dimmable	Yes
Size	84 x 34 x 177 mm 3 ¹ / ₄ " x 1 ⁵ / ₁₆ " x 6 ¹⁵ / ₁₆ "
Finish	BK - Black WH - White
IP	20

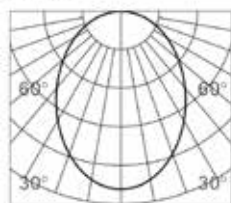
TITANIUM

TECHNOLOGY

TT-TRK-164D



Diffuse



h(m)	E(lx)	Φ(m)
1	296	Φ2.59
2	59	Φ5.19
3	26	Φ7.79
4	14	Φ10.39
5	9	Φ12.99

Voltage 24vDC

Amperage 0,36A

Power LED 8,64W

Lumens 500 lm

CRI 90

Angle 120°

LED Color
27K - Warm white 2700K
30K - Warm white 3000K
40K - Neutral white 4000K
50K - Cold white 5000K

Dimmable Yes

Size 160 x 34 x 177 mm
 6⁵/₁₆" x 1⁵/₁₆" x 6¹⁵/₁₆"

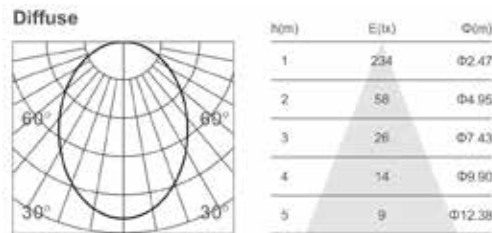
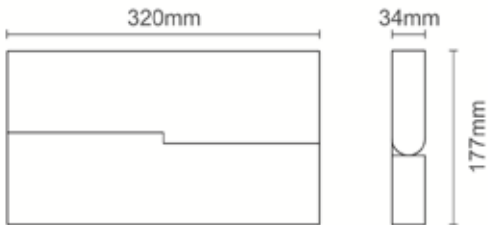
Finish **BK** - Black
WH - White

IP 20

TITANIUM

TECHNOLOGY

TT-TRK-323D

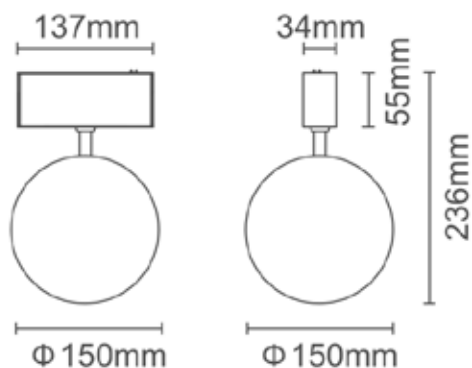


Voltage	24vDC
Amperage	0,7A
Power LED	16,8W
Lumens	980 lm
CRI	90
Angle	120°
LED Color	27K - Warm white 2700K 30K - Warm white 3000K 40K - Neutral white 4000K 50K -Cold white 5000K
Dimmable	Yes
Size	320 x 34 x 177 mm 12 ⁵ / ₈ " x 1 ⁵ / ₁₆ " x 6 ¹⁵ / ₁₆ "
Finish	BK - Black WH - White
IP	20

TITANIUM

TECHNOLOGY

TT-TRK-BALL



Diffuse



h(m)	E(lx)	Φ(m)
1	24	Φ2
2	6	Φ4
3	2	Φ6
4	1	Φ8
5	0.9	Φ10

Voltage 24vDC

Amperage 0,30A

Power LED 7,2W

Lumens 290 lm

CRI 90

Angle 360°

LED Color
27K - Warm white 2700K
30K - Warm white 3000K
40K - Neutral white 4000K
50K - Cold white 5000K

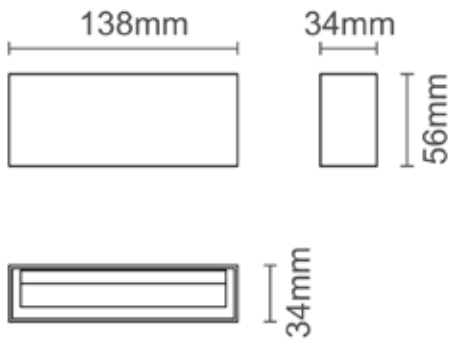
Dimmable Yes

Size 137 x 34 x 55 mm Ø140mm
 5³/₈ " x 1⁵/₁₆ " x 2³/₁₆ " Ø5¹/₂ "

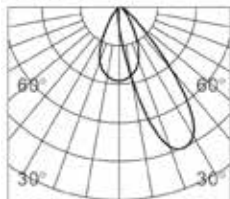
Finish **BK** - Black
WH - White

IP 20

TT-TRK-15



Wallwasher



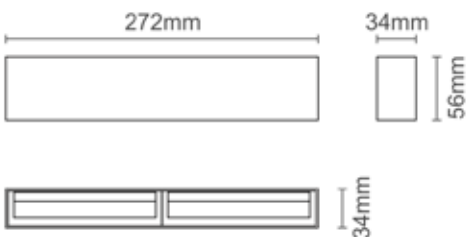
h(m)	E(lx)	Φ(m)
1	137	Φ0.97
2	34	Φ1.94
3	15	Φ2.91
4	8	Φ3.88
5	5	Φ4.85

Voltage	24vDC
Amperage	0,29A
Power LED	6,96W
Lumens	380 lm
CRI	90
Angle	120°
LED Color	27K - Warm white 2700K 30K - Warm white 3000K 40K - Neutral white 4000K 50K - Cold white 5000K
Dimmable	Yes
Size	138 x 34 x 56 mm 5 ⁷ / ₁₆ " x 1 ⁵ / ₁₆ " x 2 ³ / ₁₆ "
Finish	BK - Black WH - White
IP	20

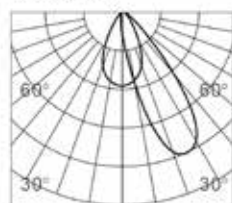
TITANIUM

TECHNOLOGY

TT-TRK-30



Wallwasher



h(m)	E(lx)	Φ(m)
1	344	Φ0.90
2	86	Φ1.80
3	38	Φ2.70
4	21	Φ3.59
5	13	Φ4.49

Voltage 24vDC

Amperage 0,58A

Power LED 13,92W

Lumens 880 lm

CRI 90

Angle 120°

LED Color
27K - Warm white 2700K
30K - Warm white 3000K
40K - Neutral white 4000K
50K - Cold white 5000K

Dimmable Yes

Size 272 x 34 x 56 mm
 10¹¹/₁₆ " x 1⁵/₁₆ " x 2³/₁₆ "

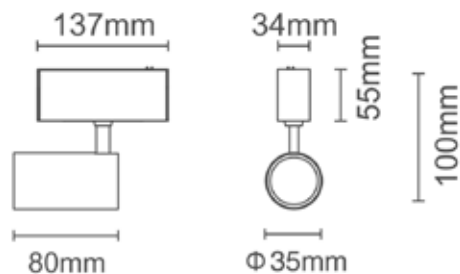
Finish **BK** - Black
WH - White

IP 20

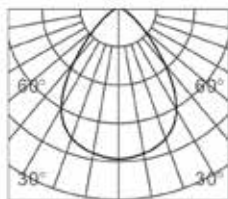
TITANIUM

TECHNOLOGY

TT-TRK-5W-1



40°



h(m)	E(lx)	Φ(m)
2	278	Φ0.96
3	124	Φ1.44
3.5	91	Φ1.66
4	69	Φ1.92
5	44	Φ2.40

Voltage 24vDC

Amperage 0,24A

Power LED 5,76W

Lumens 440 lm

CRI 90

Angle 40°

LED Color
 27K - Warm white 2700K
 30K - Warm white 3000K
 40K - Neutral white 4000K
 50K - Cold white 5000K

Dimmable Yes

Size
 Ø35 x 80 mm
 Ø1³/₈" x 3¹/₈"

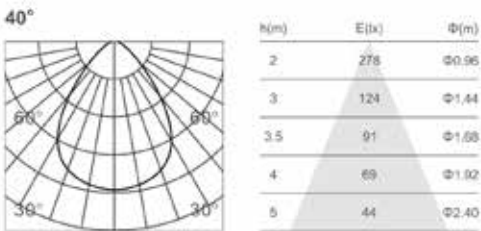
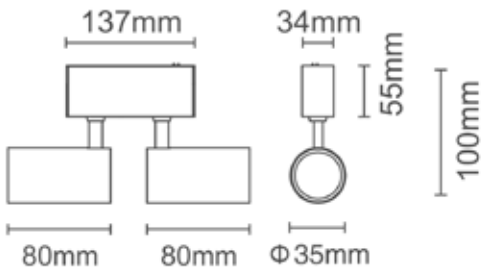
Finish
 BK - Black
 WH - White

IP 20

TITANIUM

TECHNOLOGY

TT-TRK-5W-2



Voltage 24vDC

Amperage 0,48A

Power LED 11,52W

Lumens 880 lm

CRI 90

Angle 40°

LED Color
 27K - Warm white 2700K
 30K - Warm white 3000K
 40K - Neutral white 4000K
 50K - Cold white 5000K

Dimmable Yes

Size
 2 x Ø35 x 80 mm
 2 x Ø1³/₈" x 3¹/₈"

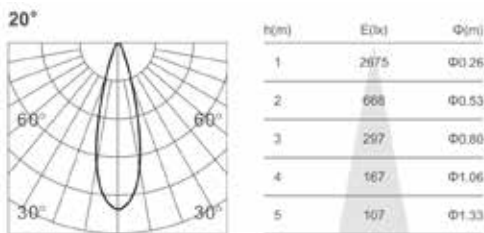
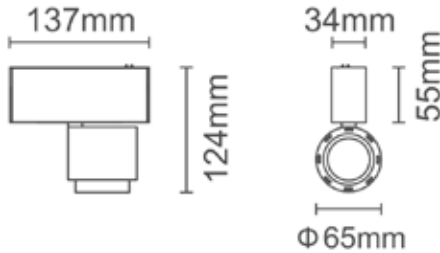
Finish
 BK - Black
 WH - White

IP 20

TITANIUM

TECHNOLOGY

TT-TRK-8W-1

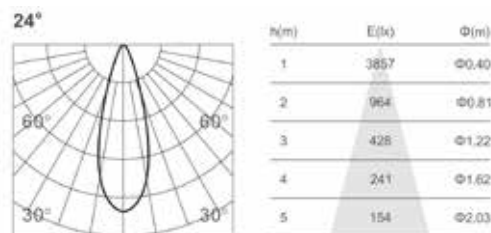
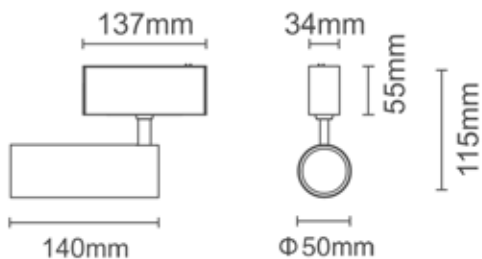


Voltage	24vDC
Amperage	0,36A
Power LED	8,64W
Lumens	405 lm
CRI	90
Angle	20°
LED Color	27K - Warm white 2700K 30K - Warm white 3000K 40K - Neutral white 4000K 50K - Cold white 5000K
Dimmable	Yes
Size	Ø65 mm Ø2 1/2"
Finish	BK - Black WH - White
IP	20

TITANIUM

TECHNOLOGY

TT-TRK-10W-1



Voltage 24vDC

Amperage 0,44A

Power LED 10,56W

Lumens 780 lm

CRI 90

Angle 24°

LED Color
 27K - Warm white 2700K
 30K - Warm white 3000K
 40K - Neutral white 4000K
 50K - Cold white 5000K

Dimmable Yes

Size
 Ø50 x 140 mm
 Ø2" x 5½"

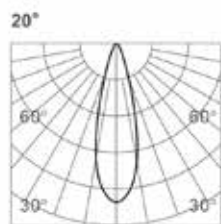
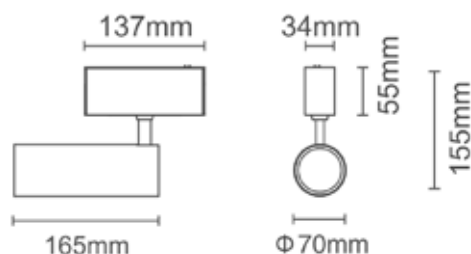
Finish
 BK - Black
 WH - White

IP 20

TITANIUM

TECHNOLOGY

TT-TRK-15W-1



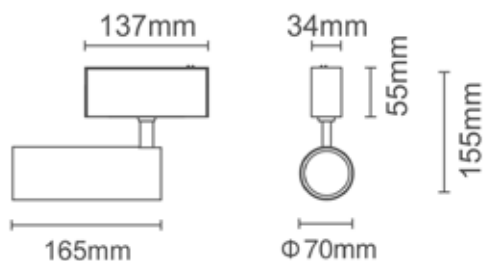
h(m)	E(lx)	Φ(m)
1	4847	Ø 0.30
2	1212	Ø 0.60
3	538	Ø 0.90
4	302	Ø 1.20
5	193	Ø 1.51

Voltage	24vDC
Amperage	0,68A
Power LED	16,32W
Lumens	905 lm
CRI	90
Angle	20°
LED Color	27K - Warm white 2700K 30K - Warm white 3000K 40K - Neutral white 4000K 50K - Cold white 5000K
Dimmable	Yes
Size	Ø92 mm Ø3 ⁵ / ₈ "
Finish	BK - Black WH - White
IP	20

TITANIUM

TECHNOLOGY

TT-TRK-20W-1



Voltage 24vDC

Amperage 0,9A

Power LED 21,6W

Lumens 1450 lm

CRI 90

Angle 24°

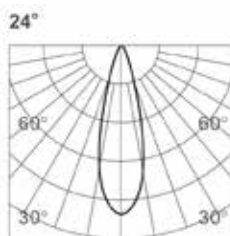
LED Color
 27K - Warm white 2700K
 30K - Warm white 3000K
 40K - Neutral white 4000K
 50K - Cold white 5000K

Dimmable Yes

Size
 Ø70 x 165 mm
 Ø2³/₄" x 6¹/₂"

Finish
 BK - Black
 WH - White

IP 20

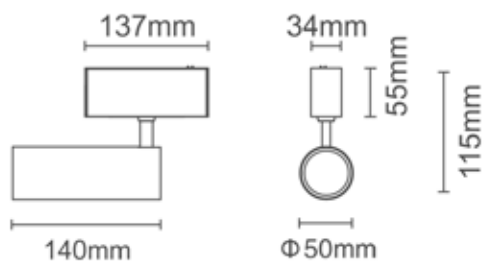


h(m)	E(lx)	Φ(m)
1	5787	Φ0.47
2	1447	Φ0.55
3	643	Φ1.42
4	361	Φ1.50
5	231	Φ2.37

TITANIUM

TECHNOLOGY

TT-TRK-10W-1Z

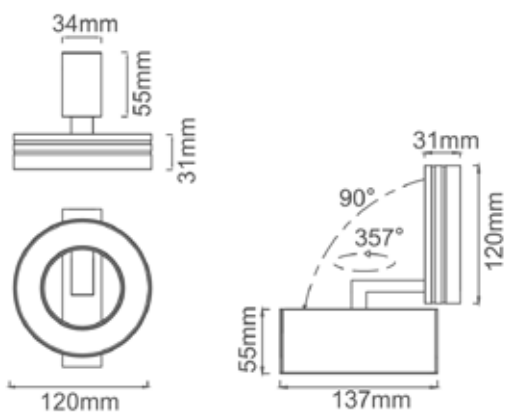
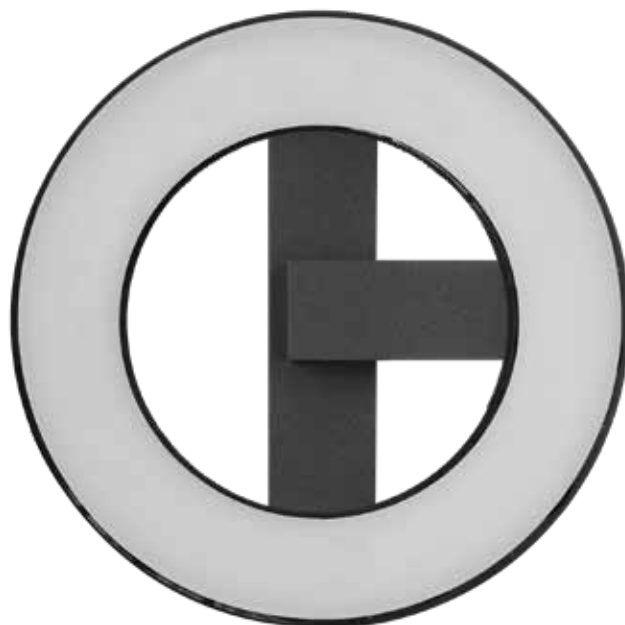


Voltage	24vDC
Amperage	0,43A
Power LED	10,32W
Lumens	780 lm
CRI	90
Angle	10° to 50°
LED Color	27K - Warm white 2700K 30K - Warm white 3000K 40K - Neutral white 4000K 50K - Cold white 5000K
Dimmable	Yes
Size	Ø50 x 140 mm Ø2" x 5 1/2"
Finish	BK - Black WH - White
IP	20

TITANIUM

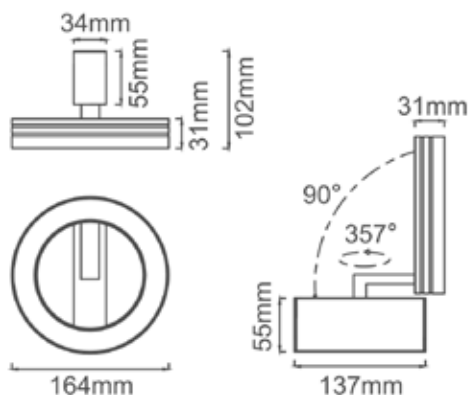
TECHNOLOGY

TT-TRK-120C



Voltage	24vDC
Amperage	0,5A
Power LED	12W
Lumens	650 lm
CRI	90
Angle	Diffuse
LED Color	27K - Warm white 2700K 30K - Warm white 3000K 40K - Neutral white 4000K 50K -Cold white 5000K
Dimmable	Yes
Size	137 mm x 34 mm x 56 mm x Ø120 mm 5 ³ / ₈ " x 1 ³ / ₈ " x 2 ³ / ₁₆ " x Ø4 ³ / ₄ "
Finish	BK - Black WH - White
IP	20

TT-TRK-164C

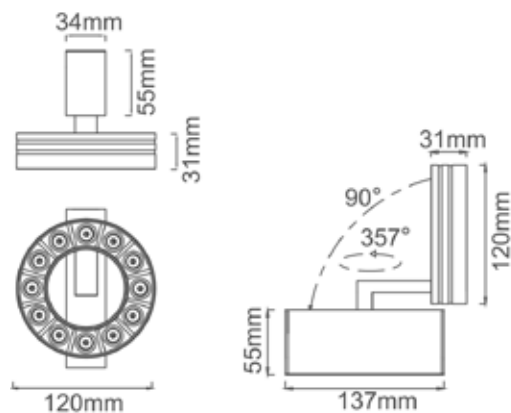


Voltage	24vDC
Amperage	0,75A
Power LED	18W
Lumens	650 lm
CRI	90
Angle	Diffuse
LED Color	27K - Warm white 2700K 30K - Warm white 3000K 40K - Neutral white 4000K 50K -Cold white 5000K
Dimmable	Yes
Size	137 mm x 34 mm x 55 mm x Ø164 mm 5 ³ / ₈ " x 1 ³ / ₈ " x 2 ³ / ₁₆ " x Ø6 ⁷ / ₁₆ "
Finish	BK - Black WH - White
IP	20

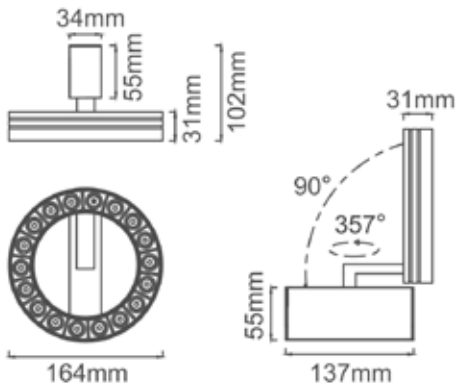
TITANIUM

TECHNOLOGY

TT-TRK-12X1W-C



Voltage	24vDC
Amperage	0,52A
Power LED	12,48W
Lumens	1150 lm
CRI	90
Angle	34°
LED Color	27K - Warm white 2700K 30K - Warm white 3000K 40K - Neutral white 4000K 50K - Cold white 5000K
Dimmable	Yes
Size	137 mm x 34 mm x 55 mm x Ø120 mm 5 ³ / ₈ " x 1 ³ / ₈ " x 2 ³ / ₁₆ " x Ø4 ³ / ₄ "
Finish	BK - Black WH - White
IP	20



Voltage 24vDC

Amperage 0,75A

Power LED 18W

Lumens 1750 lm

CRI 90

Angle 34°

LED Color
 27K - Warm white 2700K
 30K - Warm white 3000K
 40K - Neutral white 4000K
 50K - Cold white 5000K

Dimmable Yes

Size 137 mm x 34 mm x 55 mm x Ø164 mm
 5³/₈" x 1³/₈" x 2³/₁₆" x Ø6⁷/₁₆"

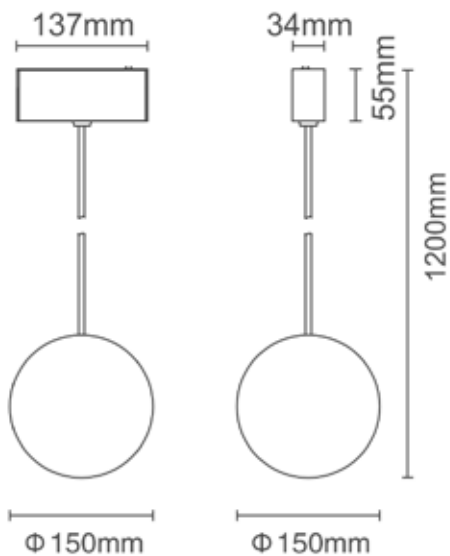
Finish
 BK - Black
 WH - White

IP 20

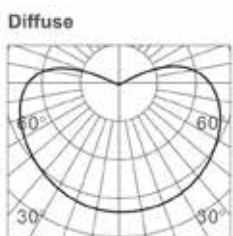
TITANIUM

TECHNOLOGY

TT-TRK-SUSP-BALL



Voltage	24vDC
Amperage	0,30A
Power LED	7,2W
Lumens	290 lm
CRI	90
LED Color	27K - Warm white 2700K 30K - Warm white 3000K 40K - Neutral white 4000K 50K - Cold white 5000K
Dimmable	Yes
Size	137 x 34 x 55 mm Ø1200mm 5 ³ / ₈ " x 1 ⁵ / ₁₆ " x 2 ³ / ₁₆ " x Ø47 ¹ / ₄ "
Finish	BK - Black WH - White
IP	20

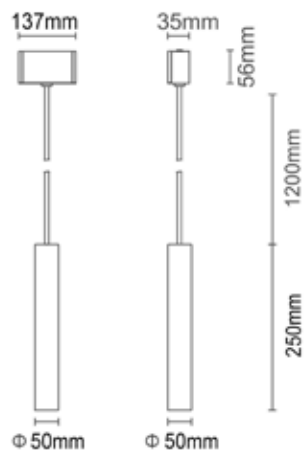


h(m)	E(x)	Φ(m)
1	24	Φ2
2	6	Φ4
3	2	Φ6
4	1	Φ8
5	0.9	Φ10

TITANIUM

TECHNOLOGY

TT-TRK-SUSP-8W

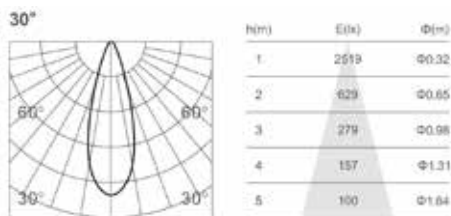
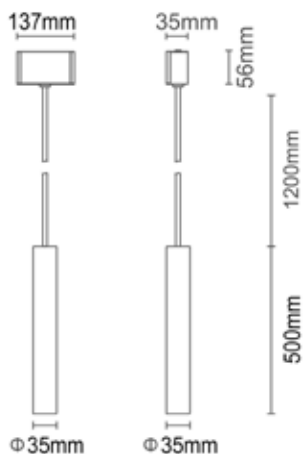


Voltage	24vDC
Amperage	0,33A
Power LED	8W
Lumens	405 lm
CRI	90
Angle	24°
LED Color	27K - Warm white 2700K 30K - Warm white 3000K 40K - Neutral white 4000K 50K - Cold white 5000K
Dimmable	Yes
Size	Ø50 x 250 mm Ø2" x 9 7/8"
Finish	BK - Black WH - White
IP	20

TITANIUM

TECHNOLOGY

TT-TRK-SUSP-5W



Voltage 24vDC

Amperage 0,29A

Power LED 6,96W

Lumens 450 lm

CRI 90

Angle 30°

LED Color
 27K - Warm white 2700K
 30K - Warm white 3000K
 40K - Neutral white 4000K
 50K - Cold white 5000K

Dimmable Yes

Size
 Ø35 mm x 500mm
 Ø3⁵/₈" x 19¹¹/₁₆"

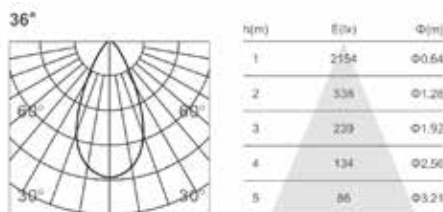
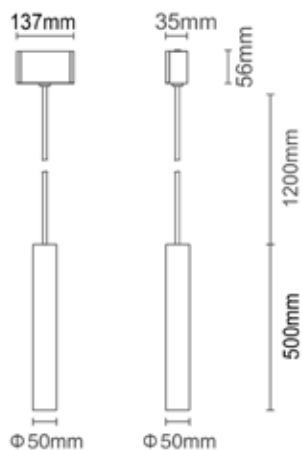
Finish
 BK - Black
 WH - White

IP 44

TITANIUM

TECHNOLOGY

TT-TRK-SUSP-10W

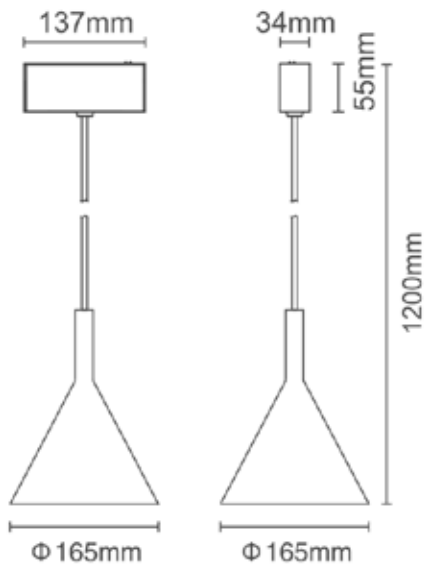


Voltage	24vDC
Amperage	0,46A
Power LED	11,04W
Lumens	780 lm
CRI	90
Angle	36°
LED Color	27K - Warm white 2700K 30K - Warm white 3000K 40K - Neutral white 4000K 50K - Cold white 5000K
Dimmable	Yes
Size	Ø50 x 500 mm Ø2" x 19 ¹¹ / ₁₆ "
Finish	BK - Black WH - White
IP	20

TITANIUM

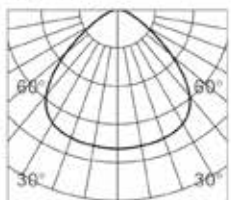
TECHNOLOGY

TT-TRK-SUSP-CONE



Voltage	24vDC
Amperage	0,43A
Power LED	10,32W
Lumens	480 lm
CRI	90
Angle	Diffuse
LED Color	27K - Warm white 2700K 30K - Warm white 3000K 40K - Neutral white 4000K 50K - Cold white 5000K
Dimmable	Yes
Size	137 x 34 x 55 x 1200mm 5 ³ / ₈ " x 1 ⁵ / ₁₆ " x 2 ³ / ₁₆ " x 47 ¹ / ₄ "
Finish	BK - Black WH - White
IP	20

Diffuse

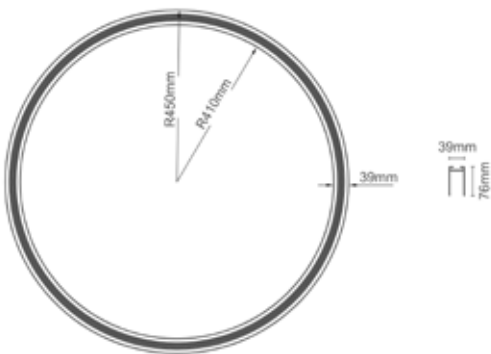


h(m)	E(lx)	Φ(m)
1	500	Φ1,20
2	125	Φ2,40
3	55,6	Φ3,60
4	31,2	Φ4,80
5	20	Φ6,00

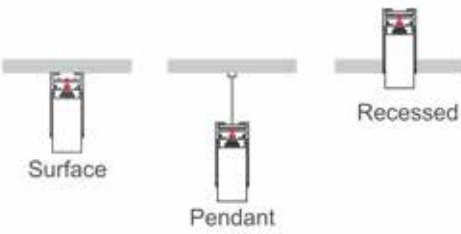
TITANIUM

TECHNOLOGY

TT-TRK-TRACK-R



Voltage	24vDC
Size	900mm x 39mm x 76mm 35 ³ / ₈ " x 1 ¹ / ₂ " x 3"
Power	200w max.
Finish	BK - Black W - White
IP	20



Accessories

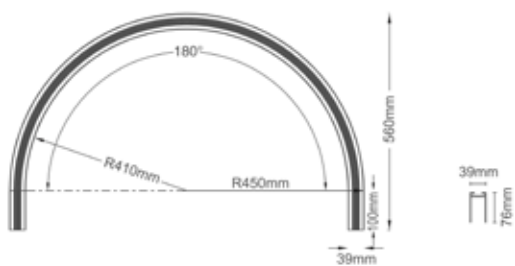


TT-TRACK-SUSP

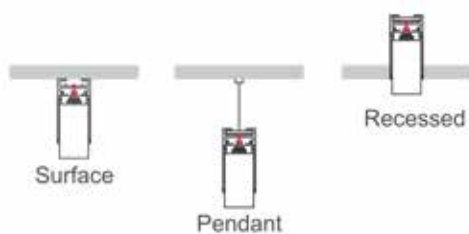
TITANIUM

TECHNOLOGY

TT-TRK-TRACK-R1/2



Voltage	24vDC
Size	906mm x 39mm x 76mm 35 ⁵ / ₈ " x 1 ¹ / ₂ " x 3"
Power	200w max.
Cut hole	40mm 1 ⁹ / ₁₆ "
Finish	BK - Black W - White
IP	20



Accessories

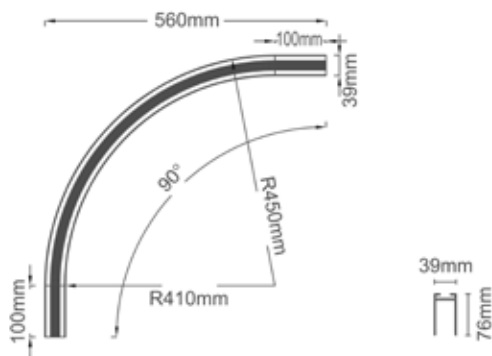


TT-TRACK-SUSP

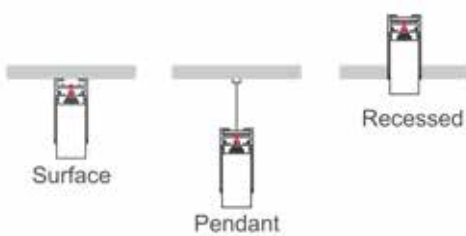
TITANIUM

TECHNOLOGY

TT-TRK-TRACK-R1/4



Voltage	24vDC
Size	560mm x 39mm x 76mm 22" x 1 1/2" x 3"
Power	200w max.
Finish	BK - Black W - White
IP	20

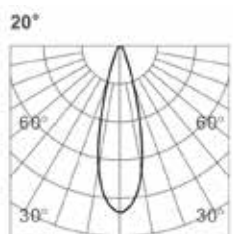
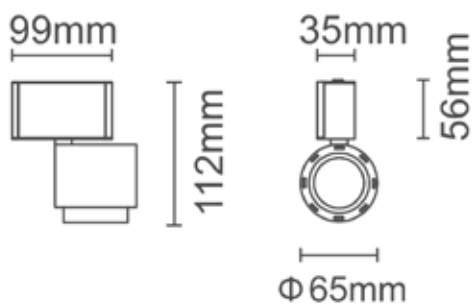


Accessories



TT-TRACK-SUSP

TT-TRK-8W-1R



h(m)	E(lx)	Φ(m)
1	2675	Φ0.26
2	668	Φ0.53
3	297	Φ0.80
4	167	Φ1.06
5	107	Φ1.33

Voltage 24vDC

Amperage 0,36A

Power LED 8,64W

Lumens 405 lm

CRI 90

Angle 30°

LED Color
27K - Warm white 2700K
30K - Warm white 3000K
40K - Neutral white 4000K

Size
 137 x 125 x 34 mm
 5³/₈" x 4⁷/₈" x 1³/₈"

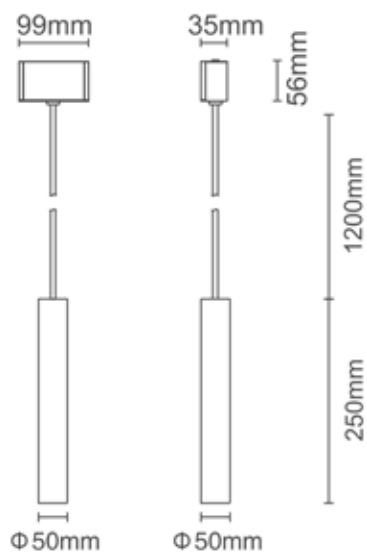
Finish
 BK - Black
 WH - White

IP 20

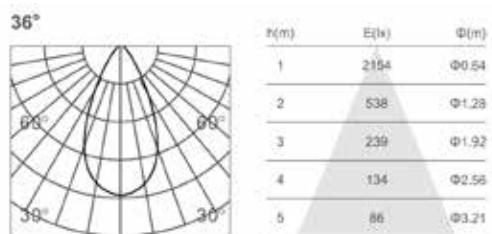
TITANIUM

TECHNOLOGY

TT-TRK-SUSP-10W-R



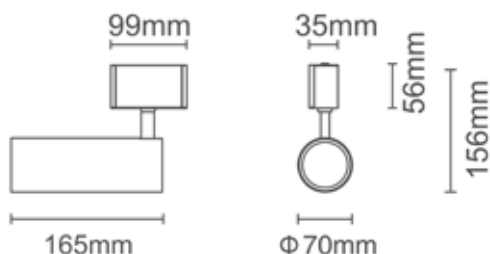
Voltage	24vDC
Amperage	0,46A
Power LED	11,04W
Lumens	780 lm
CRI	90
Angle	36°
LED Color	27K - Warm white 2700K 30K - Warm white 3000K 40K - Neutral white 4000K
Size	99 x 38 x 1450 mm 3 7/8" x 1 3/8" x 57 1/8"
Finish	BK - Black WH - White
IP	20



TITANIUM

TECHNOLOGY

TT-TRK-15W-1R



Voltage 24vDC

Amperage 0,68A

Power LED 16,32W

Lumens 905 lm

CRI 90

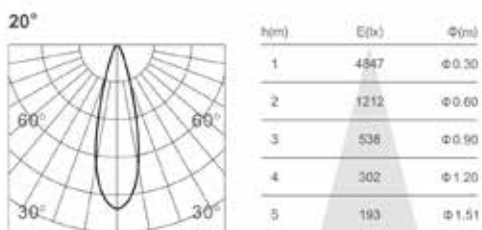
Angle 30°

LED Color
27K - Warm white 2700K
30K - Warm white 3000K
40K - Neutral white 4000K

Size
 99 x 35 x 156 mm
 3⁷/₈" x 1³/₈" x 6¹/₈"

Finish
 BK - Black
 WH - White

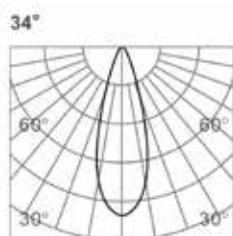
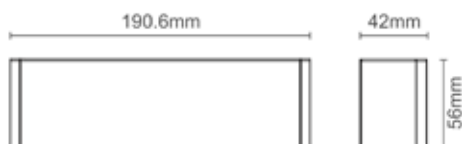
IP 20



TITANIUM

TECHNOLOGY

TT-TRK-6X1R



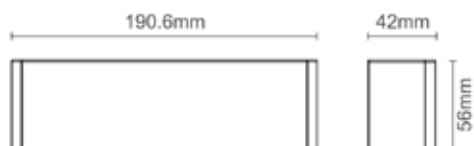
h(m)	E(lx)	Φ(m)
1	2900	Φ0.53
2	700	Φ1.07
3	311	Φ1.60
4	175	Φ2.14
5	112	Φ2.67

Voltage	24vDC
Amperage	0,36A
Power LED	8,64W
Lumens	790 lm
CRI	90
Angle	34°
LED Color	27K - Warm white 2700K 30K - Warm white 3000K 40K - Neutral white 4000K
Dimmable	Yes
Size	190 mm x 42 mm x 56 mm 7 ¹ / ₂ " x 1 ⁵ / ₁₆ " x 2 ³ / ₁₆ "
Finish	BK - Black WH - White
IP	20

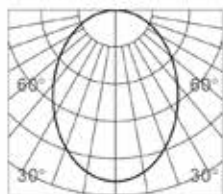
TITANIUM

TECHNOLOGY

TT-TRK-163R



Diffuse



h(m)	E(lx)	Φ(m)
1	119	Φ2.56
2	29	Φ5.12
3	13	Φ7.68
4	7	Φ10.24
5	4	Φ12.81

Voltage 24vDC

Amperage 0,36A

Power LED 8,64W

Lumens 500 lm

CRI 90

Angle Diffuse

LED Color
27K - Warm white 2700K
30K - Warm white 3000K
40K - Neutral white 4000K

Dimmable Yes

Size 190 mm x 42 mm x 56 mm
 7¹/₂" x 1⁵/₁₆" x 2³/₁₆"

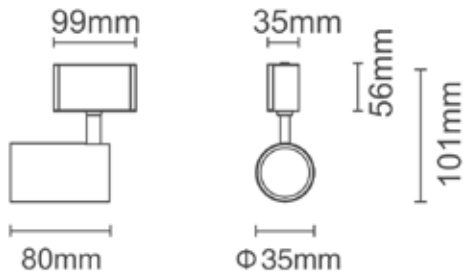
Finish
BK - Black
WH - White

IP 20

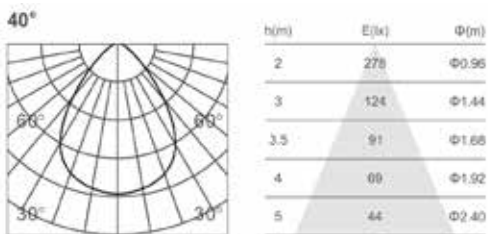
TITANIUM

TECHNOLOGY

TT-TRK-5W-1R



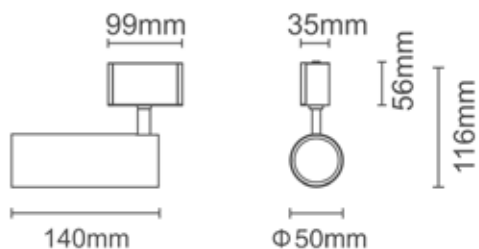
Voltage	24vDC
Amperage	0,24A
Power LED	5,76W
Lumens	440 lm
CRI	90
LED Color	27K - Warm white 2700K 30K - Warm white 3000K 40K - Neutral white 4000K
Dimmable	Yes
Size	99 mm x 35 mm x 101 3 ⁷ / ₈ " x 1 ³ / ₈ " x 4"
Finish	BK - Black WH - White
IP	20



TITANIUM

TECHNOLOGY

TT-TRK-10W-1R



Voltage 24vDC

Amperage 0,44A

Power LED 10,56W

Lumens 780 lm

CRI 90

Angle 24°

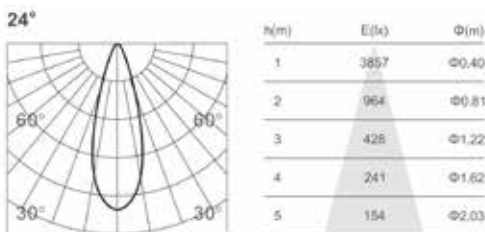
LED Color
 27K - Warm white 2700K
 30K - Warm white 3000K
 40K - Neutral white 4000K

Dimmable Yes

Size 99 mm x 35 mm x 116
 3⁷/₈" x 1³/₈" x 3⁹/₁₆"

Finish
 BK - Black
 WH - White

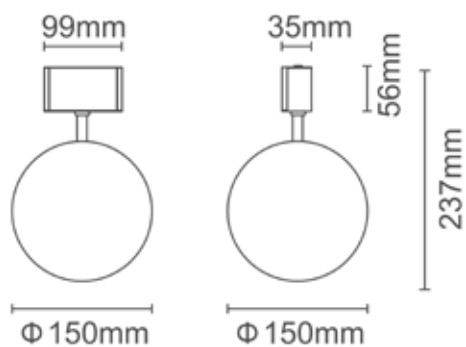
IP 20



TITANIUM

TECHNOLOGY

TT-TRK-BALL-R



Voltage	24vDC
Amperage	0,30A
Power LED	7,2W
Lumens	290 lm
CRI	90
Angle	220°
LED Color	27K - Warm white 2700K 30K - Warm white 3000K 40K - Neutral white 4000K
Size	99 x 35 x 237 mm 3 ⁷ / ₈ " x 1 ³ / ₈ " x 9 ³ / ₈ "
Finish	BK - Black WH - White
IP	20

Diffuse



h(m)	E(lx)	Φ(m)
1	24	Φ2
2	6	Φ4
3	2	Φ6
4	1	Φ8
5	0.9	Φ10

TT-TRK-L



- Corner

Finish	BK - Black
	W - White
	WOOD - Wood

TT-TRK-Lo



- Outside corner union

Finish	BK - Black
	W - White
	WOOD - Wood

TT-TRK-Li



- Union interior corner

Finish	BK - Black
	W - White
	WOOD - Wood

TT-TRK-T



- T Corner

Finish	BK - Black
	W - White
	WOOD - Wood

TT-TRK-X



- X Corner

Finish	BK - Black
	W - White
	WOOD - Wood

TT-TRK-V



- V Corner

Finish	BK - Black
	W - White
	WOOD - Wood

TT-TRK-L-PL



- Corner

Finish **BK** - Black
 W - White

TT-TRK-Lo-PL



- Outside corner union

Finish **BK** - Black
 W - White

TT-TRK-Li-PL



- Union interior corner

Finish **BK** - Black
 W - White

TT-TRK-T-PL



- T Corner

Finish **BK** - Black
 W - White



TT-TRK-END



- End cap.

Finish	BK - Black
	W - White
	WOOD - Wood

TT-TRK-CLIP



- Clip

Finish	BK - Black
	W - White

TT-TRK-COVER



- Blank cover

Finish	BK - Black
	W - White
	WOOD - Wood

TT-TRK-SUSP-A



- Suspension kit

Finish	BK - Black
	W - White

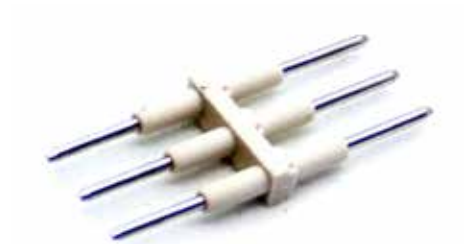
TT-TRK-SUSP-B



- Suspension kit with power cord.

Finish	BK - Black
	W - White

TT-TRK-O



- Pin for electrical conductor

TT-TRK-I



- Electrical conductor

Finish **BK - Black**

TT-TRK-EXT



- Junction bar

Finish **BK - Black**
 W - White
 WOOD - Wood

TT-TRK-CONNECT-PL



- Power junction.

Finish **BK - Black**
 W - White

TT-TRK-CONNECT

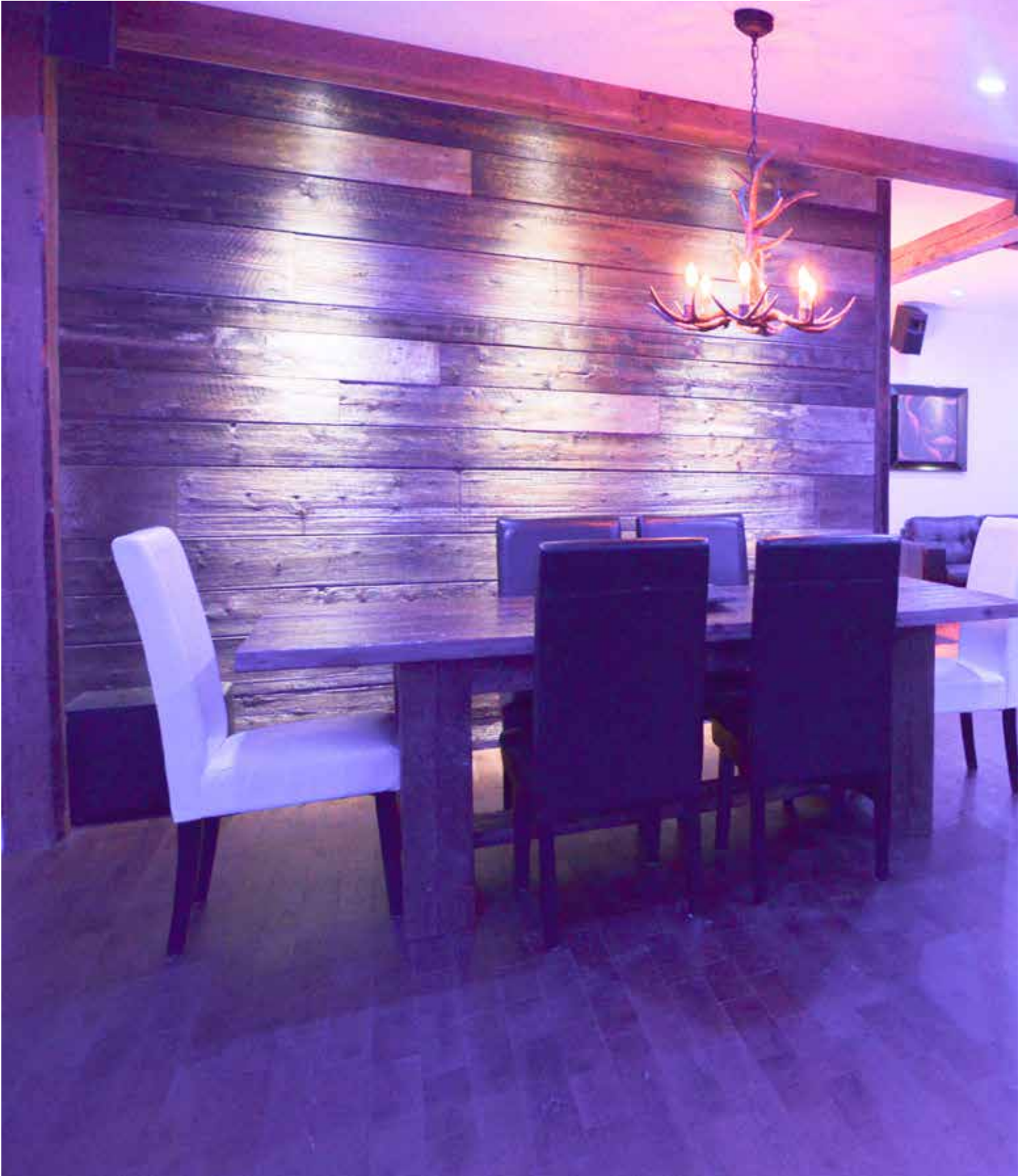


- Power junction.

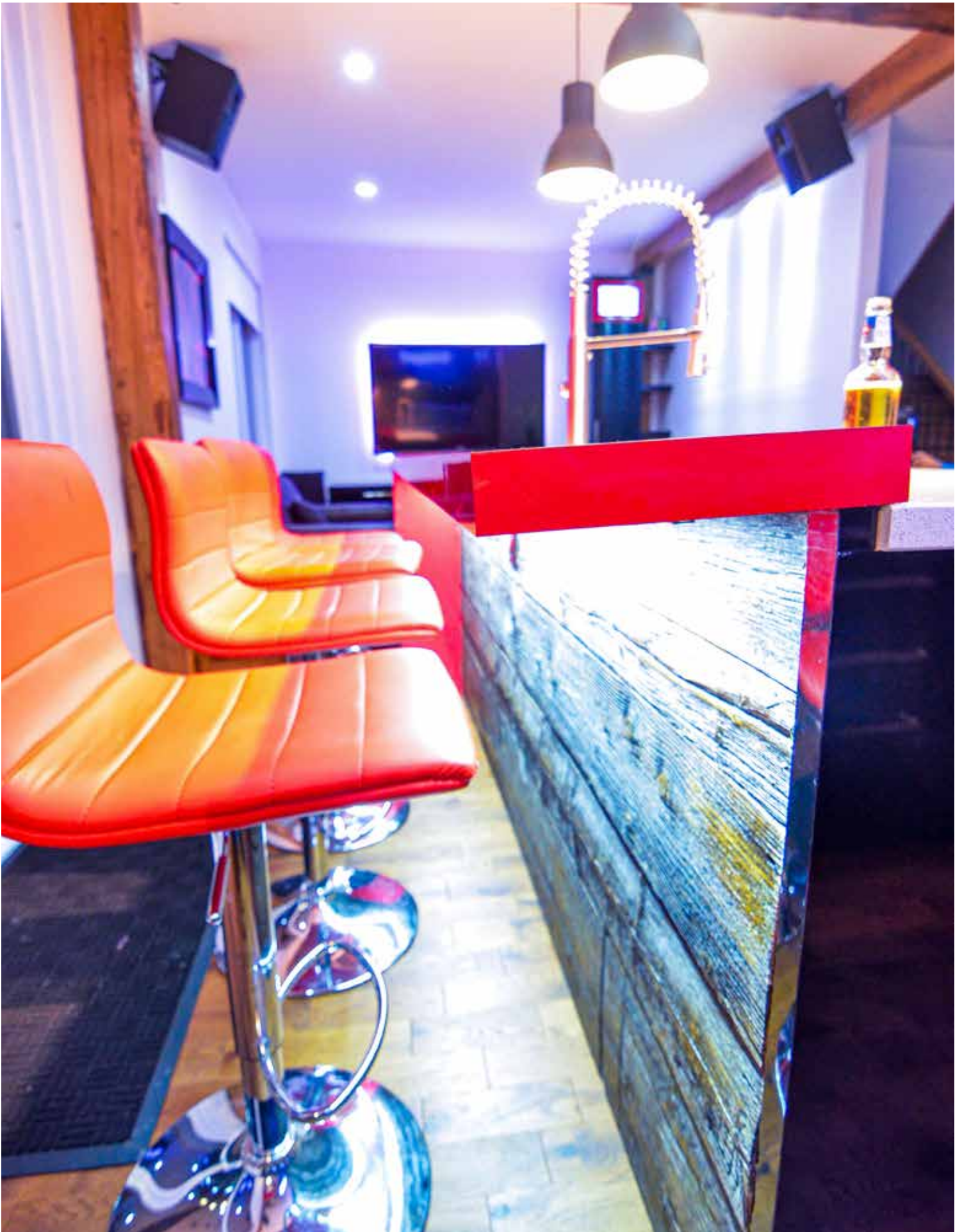
Finish **BK - Black**
 W - White
 WOOD - Wood



POWER SUPPLY







TT-DR-CV-012 Page 255

Voltage in (vDC)	Voltage out (vDC)	Amperage in	Amperage out	Power (W)	Dimmable
120	12	0,15A	1000mA	12	Yes 5% ~ 100% Triac
	24	0,13A	500mA		



TT-DR-CV-020 Page 256

Voltage in (vDC)	Voltage out (vDC)	Amperage in	Amperage out	Power (W)	Dimmable
120	12	0,24A	1600mA	19,2	Yes 5% ~ 100% Triac
	24	0,22A	830mA		



TT-DR-CV-030 Page 257

Voltage in (vDC)	Voltage out (vDC)	Amperage in	Amperage out	Power (W)	Dimmable
120	12	0,27A	2000mA	30	Yes 5% ~ 100% Triac
	24	0,35A	1250mA		



TT-DR-CV-040 Page 258

Voltage in (vDC)	Voltage out (vDC)	Amperage in	Amperage out	Power (W)	Dimmable
120	12	0,47A	3300mA	39,6	Yes 5% ~ 100% Triac
	24	0,47A	1700mA		



TT-DR-CV-060 Page 259

Voltage in (vDC)	Voltage out (vDC)	Amperage in	Amperage out	Power (W)	Dimmable
120	12	0,54A	4000mA	60	Yes 5% ~ 100% Triac
	24	0,7A	2500mA		



TT-DR-CV-080 Page 260

Voltage in (vDC)	Voltage out (vDC)	Amperage in	Amperage out	Power (W)	Dimmable
120	12	1,1A	6000mA	72	Yes 5% ~ 100% Triac
	24	1A	3300mA		



TT-DR-CVR-020 Page 261

Voltage in (vDC)	Voltage out (vDC)	Amperage in	Amperage out	Power (W)	Dimmable
120	12	0,24A	1600mA	19,2	Yes 5% ~ 100% Triac
	24	0,22A	830mA		



TT-DR-CVR-030 Page 262

Voltage in (vDC)	Voltage out (vDC)	Amperage in	Amperage out	Power (W)	Dimmable
120	12	0,27A	2000mA	30	Yes 5% ~ 100% Triac
	24	0,35A	1250mA		



TT-DR-CVR-040 Page 263

Voltage in (vDC)	Voltage out (vDC)	Amperage in	Amperage out	Power (W)	Dimmable
120	12	0,47A	3300mA	39,6	Yes 5% ~ 100% Triac
	24	0,47A	1700mA		



TT-DR-CVR-060 Page 264

Voltage in (vDC)	Voltage out (vDC)	Amperage in	Amperage out	Power (W)	Dimmable
120	12	0,54A	4000mA	60	Yes 5% ~ 100% Triac
	24	0,7A	2500mA		



TT-DR-CV-025-BOX Page 265

Voltage in (vDC)	Voltage out (vDC)	Amperage in	Amperage out	Power (W)	Dimmable
120	12	0,9A	2,1A	25	Yes 5% ~ 100% Triac Foward phase, Magnetic low voltage
	24	0,9A	1,05A		



TT-DR-CV-050-BOX Page 266

Voltage in (vDC)	Voltage out (vDC)	Amperage in	Amperage out	Power (W)	Dimmable
120	12	1,6A	4,16A	50	Yes 5% ~ 100% Triac Foward phase, Magnetic low voltage
	24	1,6A	2,1A		



TT-DR-CV-096-BOX Page 267

Voltage in (vDC)	Voltage out (vDC)	Amperage in	Amperage out	10,4 mm	Power (W)	Dimmable
120	12	1,7A	8,33A	96	Yes 5% ~ 100% Triac - ELV - MLV Foward and reverse phase	
	24 Class 2	1,6A	4A			



TT-DR-CV-200-BOX Page 268

Voltage in (vDC)	Voltage out (vDC)	Amperage in	Amperage out	Power (W)	Dimmable
120	12	3,2A	16,6A	200	Yes 5% ~ 100% Triac Foward phase, Magnetic low voltage
	24	3,2A	8,3A		



TT-DR-CV-384-24V-BOX-5IN1 Page 269

Voltage in (vDC)	Voltage out (vDC)	Amperage in	17,538 mm	Power (W)	Dimmable
120	24	4,8A	4 x 4A	4 x 96 Class 2	Yes 5% ~ 100% Triac - 0-10V - Potentiometer - 10V PWM



TT-DR-CV-384-24V-BOX Page 270

Voltage in (vDC)	Voltage out (vDC)	Amperage in	Amperage out	Power (W)	Dimmable
120	24	4,8A	4 x 4A	4 x 96 Class 2	Yes 5% ~ 100% Triac - ELV - MLV Foward and reverse phase



TT-DR-CVB-012 Page 271

Voltage in (vDC)	Voltage out (vDC)	Amperage in	Amperage out	Power (W)	Dimmable
120	12	0,15A	1000mA	12	Yes 5% ~ 100% Triac
	24	0,13A	500mA		



TT-DR-CVB-020 Page 272

Voltage in (vDC)	Voltage out (vDC)	Amperage in	Amperage out	Power (W)	Dimmable
120	12	0,24A	1600mA	19,2	Yes 5% ~ 100% Triac
	24	0,22A	830mA		



TT-DR-CVB-030 Page 273

Voltage in (vDC)	Voltage out (vDC)	Amperage in	Amperage out	Power (W)	Dimmable
120	12	0,27A	2000mA	30	Yes 5% ~ 100% Triac
	24	0,35A	1250mA		



TT-DR-CVB-040 Page 274

Voltage in (vDC)	Voltage out (vDC)	Amperage in	Amperage out	Power (W)	Dimmable
120	12	0,47A	3300mA	39,6	Yes 5% ~ 100% Triac
	24	0,47A	1700mA		



TT-DR-CVB-060 Page 275

Voltage in (vDC)	Voltage out (vDC)	Amperage in	Amperage out	Power (W)	Dimmable
120	12	0,54A	4000mA	60	Yes 5% ~ 100% Triac
	24	0,7A	2500mA		



TT-DR-CVB-080 Page 276

Voltage in (vDC)	Voltage out (vDC)	Amperage in	Amperage out	Power (W)	Dimmable
120	12	1,1A	6000mA	72	Yes 5% ~ 100% Triac
	24	1A	3400mA		



TT-DR-CVB-100 Page 277

Voltage in (vDC)	Voltage out (vDC)	Amperage in	Amperage out	Power (W)	Dimmable
120	12	1,2A	8A	96	Yes 5% ~ 100% Triac
	24 Class 2	1,2A	4A		



TT-DR-CV67-012 Page 278

Voltage in (vDC)	Voltage out (vDC)	Amperage in	Amperage out	Power (W)	Dimmable
120	12	0,15A	1000mA	12	Yes 5% ~ 100% Triac
	24	0,13A	500mA		



TT-DR-CV67-020 Page 279

Voltage in (vDC)	Voltage out (vDC)	Amperage in	Amperage out	Power (W)	Dimmable
120	12	0,24A	1600mA	19,2	Yes 5% ~ 100% Triac
	24	0,22A	830mA		



TT-DR-CV67-030 Page 280

Voltage in (vDC)	Voltage out (vDC)	Amperage in	Amperage out	Power (W)	Dimmable
120	12	0,27A	2000mA	30	Yes 5% ~ 100% Triac
	24	0,35A	1250mA		



TT-DR-CV67-040 Page 281

Voltage in (vDC)	Voltage out (vDC)	Amperage in	Amperage out	Power (W)	Dimmable
120	12	0,47A	3300mA	39,6	Yes 5% ~ 100% Triac
	24	0,47A	1700mA		



TT-DR-CV67-060 Page 282

Voltage in (vDC)	Voltage out (vDC)	Amperage in	Amperage out	Power (W)	Dimmable
120	12	0,78A	4000mA	60	Yes 5% ~ 100% Triac
	24	0,68A	2500mA		



TT-DR-CV67-080 Page 283

Voltage in (vDC)	Voltage out (vDC)	Amperage in	Amperage out	Power (W)	Dimmable
120	12	1,1A	6000mA	72	Yes 5% ~ 100% Triac
	24	1A	3300mA		



TT-DR-CV67-100 Page 284

Voltage in (vDC)	Voltage out (vDC)	Amperage in	Amperage out	Power (W)	Dimmable
120	12	1,2A	8A	96	Yes 5% ~ 100% Triac
	24 Class 2	1,2A	4A		



TT-PSU-IP20-015W Page 285

Voltage in (vDC)	Voltage out (vDC)	Amperage in	Amperage out	Power (W)	Dimmable
85 ~ 264	12	0,35A	1,3A	15	No
	24	0,35A	0,7A		



TT-PSU-IP20-025W Page 286

Voltage in (vDC)	Voltage out (vDC)	Amperage in	Amperage out	Power (W)	Dimmable
85 ~ 264	12	0,55A	2,1A	25	No
	24	0,55A	1,1A		



TT-PSU-IP20-050W Page 287

Voltage in (vDC)	Voltage out (vDC)	Amperage in	Amperage out	Power (W)	Dimmable
85 ~ 264	12	0,95A	4,2A	50	No
	24	0,95A	2,2A		



TT-PSU-IP20-075W Page 288

Voltage in (vDC)	Voltage out (vDC)	Amperage in	Amperage out	Power (W)	Dimmable
85 ~ 264	12	1,4A	6A	75	No
	24	1,4A	3,2A		



TT-PSU-IP20-100W Page 289

Voltage in (vDC)	Voltage out (vDC)	Amperage in	Amperage out	Power (W)	Dimmable
85 ~ 264	12	1,4A	8,5A	100	No
	24	1,4A	4,5A		



TT-PSU-IP20-200W Page 290

Voltage in (vDC)	Voltage out (vDC)	Amperage in	Amperage out	Power (W)	Dimmable
85 ~ 264	12	4A	17A	200	No
	24	4A	8,8A		



TT-PSU-IP20-500W Page 291

Voltage in (vDC)	Voltage out (vDC)	Amperage in	Amperage out	Power (W)	Dimmable
85 ~ 264	12	4,85A	41,7A	500	No
	24	4,85A	20,9A		



TT-PSU-IP65-150W Page 292

Voltage in (vDC)	Voltage out (vDC)	Amperage in	Amperage out	Power (W)	Dimmable
347	24	0,5A	6,25A	150	No



TT-PSU-IP67-150W Page 293

Voltage in (vDC)	Voltage out (vDC)	Amperage in	Amperage out	Power (W)	Dimmable
90 ~ 132	12	3A	10A	150	No
	24	6,3A	10A		



TT-PSU-IP67-240W-120V/24V-B Page 294

Voltage in (vDC)	Voltage out (vDC)	Amperage in	Amperage out	Power (W)	Dimmable
100 ~ 240	24	4A	10A	240	0 - 10V



TT-PSU-IP20-012W Page 295

Voltage in (vDC)	Voltage out (vDC)	Amperage in	Amperage out	Power (W)	Dimmable
85 ~ 264	12 Class 2	0,2A	1A	12	No



TT-PSU-IP20-025W Page 296

Voltage in (vDC)	Voltage out (vDC)	Amperage in	Amperage out	Power (W)	Dimmable
85 ~ 264	12 Class 2	0,6A	2A	25	No



TT-PSU-IP20-036W Page 297

Voltage in (vDC)	Voltage out (vDC)	Amperage in	Amperage out	Power (W)	Dimmable
85 ~ 264	12 Class 2	2A	3A	36	No



TT-PSU-IP20-060W Page 298

Voltage in (vDC)	Voltage out (vDC)	Amperage in	Amperage out	Power (W)	Dimmable
85 ~ 264	12 Class 2	2A	5A	60	No



TT-PSU-IP20-096W Page 299

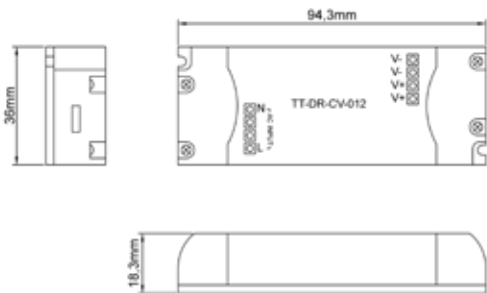
Voltage in (vDC)	Voltage out (vDC)	Amperage in	Amperage out	Power (W)	Dimmable
85 ~ 264	12	2A	8A	96	No



TT-DR-CV-012



- Transformers dimmable to the primary 120vAC.
- 9,6 watts maximum load.
- Triac dimmable from 5% to 100%
- Class 2



Voltage in	120vAC	
Voltage out	12vDC	24vDC
Amperage in	0,15A	0,13A
Amperage out	1000mA	500mA
Power	12w	
Size	94,3mm x 36mm x 18,3mm 3 ³ / ₄ " x 1 ³ / ₈ " x 3 ³ / ₄ "	
Dimmable	Yes 5% ~100% Triac	
IP	20	



- Transformers dimmable to the primary 120vAC.
- 16 watts maximum load.
- Triac dimmable from 5% to 100%
- Class 2



Voltage in	120vAC	
Voltage out	12vDC	24vDC
Amperage in	0,24A	0,22A
Amperage out	1600mA	830mA
Power	19,2w	
Size	107mm x 41mm x 22mm 4 1/4" x 1 5/8" x 7/8"	
Dimmable	Yes 5% ~100% Triac	
IP	20	



- Transformers dimmable to the primary 120vAC.
- 24 watts maximum load.
- Triac dimmable from 5% to 100%
- Class 2



Voltage in	120vAC	
Voltage out	12vDC	24vDC
Amperage in	0,27A	0,35A
Amperage out	2000mA	1250mA
Power	30w	
Size	133mm x 46,5mm x 24mm 5 1/4" x 1 7/8" x 1"	
Dimmable	Yes 5% ~100% Triac	
IP	20	

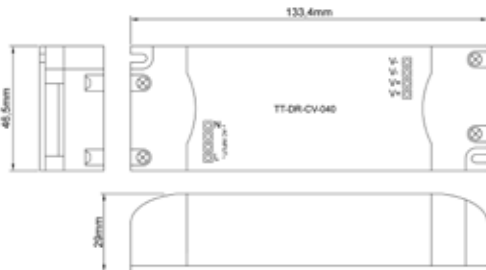
TITANIUM

TECHNOLOGY

TT-DR-CV-040



- Transformers dimmable to the primary 120vAC.
- 32 watts maximum load.
- Triac dimmable from 5% to 100%
- Class 2



Voltage in	120vAC	
Voltage out	12vDC	24vDC
Amperage in	0,47A	0,47A
Amperage out	3300mA	1700mA
Power	39,6w	
Size	133mm x 46,5mm x 29mm 5 1/4" x 1 7/8" x 1 1/8"	
Dimmable	Yes 5% ~100% Triac	
IP	20	



- Transformers dimmable to the primary 120vAC.
- 48 watts maximum load.
- Triac dimmable from 5% to 100%
- Class 2



Voltage in	120vAC	
Voltage out	12vDC	24vDC
Amperage in	0,54A	0,7A
Amperage out	4000mA	2500mA
Power	60w	
Dimmable	Yes 5% ~100% Triac	
IP	20	

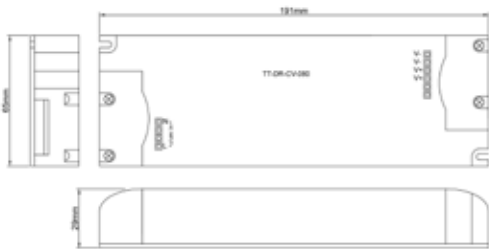
TITANIUM

TECHNOLOGY

TT-DR-CV-080



- Transformers dimmable to the primary 120vAC.
- 64 watts maximum load.
- Triac dimmable from 5% to 100%
- Class 2

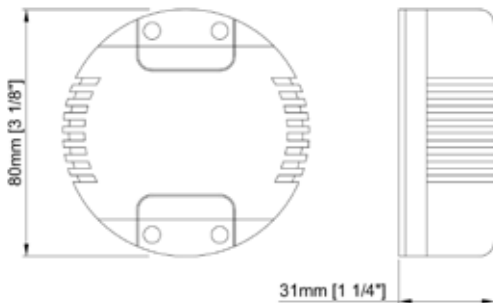


Voltage in	120vAC	
Voltage out	12vDC	24vDC
Amperage in	1,1A	1A
Amperage out	6000mA	3300mA
Power	72w	
Size	191mm x 65mm x 29mm 7 1/2" x 2 1/2" x 1 1/8"	
Dimmable	Yes 5% ~100% Triac	
IP	20	

TT-DR-CVR-020



- Transformers dimmable to the primary 120vAC.
- 16 watts maximum load.
- Triac dimmable from 5% to 100%
- Class 2



Voltage in	120vAC	
Voltage out	12vDC	24vDC
Amperage in	0,24A	0,22A
Amperage out	1600mA	830mA
Power	19,2w	
Size	Ø80mm x 31mm Ø3 1/8" x 1 1/4"	
Dimmable	Yes 5% ~100% Triac	
IP	20	

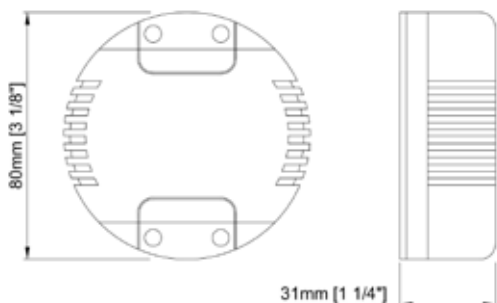
TITANIUM

TECHNOLOGY

TT-DR-CVR-030



- Transformers dimmable to the primary 120vAC.
- 24 watts maximum load.
- Triac dimmable from 5% to 100%
- Class 2

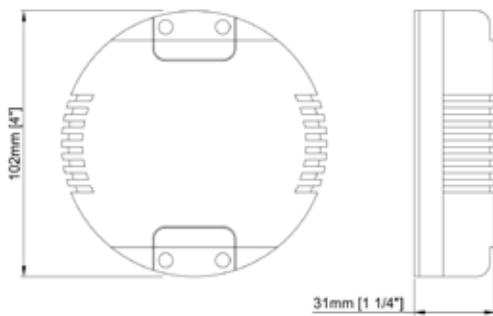


Voltage in	120vAC	
Voltage out	12vDC	24vDC
Amperage in	0,27A	0,35A
Amperage out	2000mA	1250mA
Power	30w	
Size	Ø80mm x 31mm Ø3 1/8" x 1 1/4"	
Dimmable	Yes 5% ~100% Triac	
IP	20	

TT-DR-CVR-040



- Transformers dimmable to the primary 120vAC.
- 32 watts maximum load.
- Triac dimmable from 5% to 100%
- Class 2

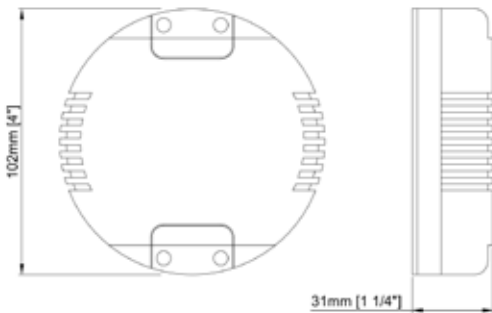


Voltage in	120vAC	
Voltage out	12vDC	24vDC
Amperage in	0,47A	0,47A
Amperage out	3300mA	1700mA
Power	39,6w	
Size	Ø102mm x 31mm Ø4" x 1 1/4"	
Dimmable	Yes 5% ~100% Triac	
IP	20	

TT-DR-CVR-060



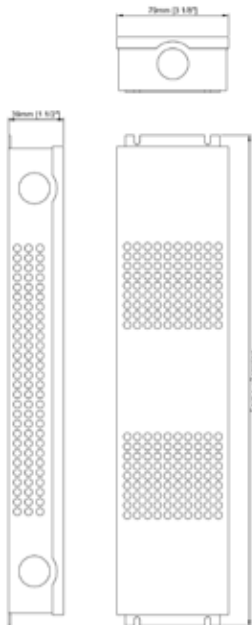
- Transformers dimmable to the primary 120vAC.
- 48 watts maximum load.
- Triac dimmable from 5% to 100%
- Class 2



Voltage in	120vAC	
Voltage out	12vDC	24vDC
Amperage in	0,54A	0,7A
Amperage out	4000mA	2500mA
Power	60w	
Size	Ø102mm x 31mm Ø4" x 1 1/4"	
Dimmable	Yes 5% ~100% Triac	
IP	20	



- Transformers dimmable to the primary 120vAC.
- 20 watts maximum load.
- Minimum load of 1 watts.
- Triac dimmable from 5% to 100%
- Class 2



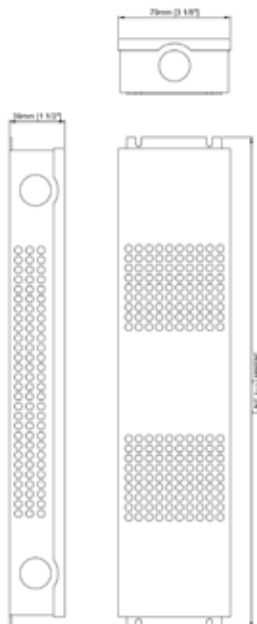
Voltage in	120vAC	
Voltage out	12vDC	24vDC
Amperage in	0,9 A	0,9 A
Amperage out	2,1A	1,05A
Power	25w	
Minimum load	1w	
Size	350 mm x 77 mm x 37 mm 13 ³ / ₄ " x 3" x 1 ⁷ / ₁₆ "	
Dimmable	Yes - Foward phase, magnetic low voltage 5% ~100% Triac	
IP	20	

TT-DR-CV-050-BOX



- Transformers dimmable to the primary 120vAC.
- 40 watts maximum load.
- Minimum load of 1 watts.
- Triac dimmable from 5% to 100%
- Class 2

Voltage in	120vAC	
Voltage out	12vDC	24vDC
Amperage in	1,6 A	1,6 A
Amperage out	4,16 A	2,1 A
Power	50w	
Minimum load	1w	
Size	350 mm x 77 mm x 37 mm 13 ³ / ₄ " x 3" x 1 ⁷ / ₁₆ "	
Dimmable	Yes - Foward phase, magnetic low voltage 5% ~100% Triac	
IP	20	

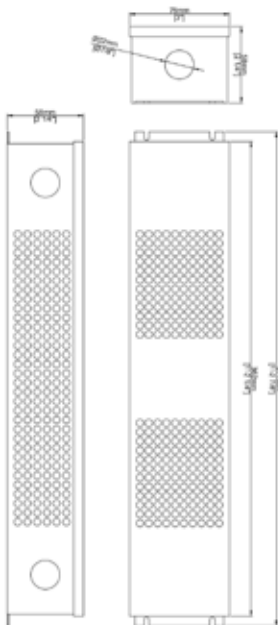


TT-DR-CV-096-BOX



- Transformers dimmable to the primary 120vAC.
- 80 watts maximum load.
- Minimum load of 1 watts.
- Triac dimmable from 5% to 100%
- Class 2

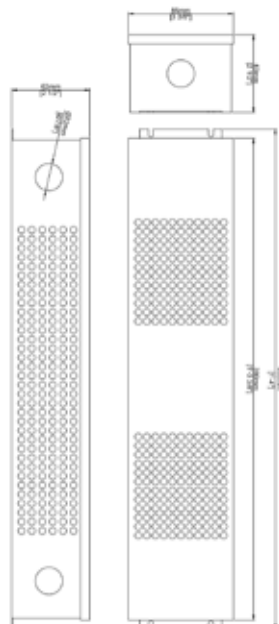
Voltage in	120vAC	
Voltage out	12vDC	24vDC Class 2
Amperage in	1,7A	1,6A
Amperage out	8,33A	4A
Power	100w	96w
Minimum load	1w	
Size	377mm x 76mm x 58mm 14 ⁷ / ₈ " x 3" x 2 ¹ / ₄ "	
Dimmable	Yes - Foward phase and reverse phase. 5% ~100% Triac - ELV - MLV	
IP	66	



TT-DR-CV-200-BOX



- Transformers dimmable to the primary 120vAC.
- 160 watts maximum load.
- Minimum load of 1 watts.
- Triac dimmable from 5% to 100%



Voltage in	120vAC	
Voltage out	12vDC	24vDC
Amperage in	3,2A	3,2A
Amperage out	16,6A	8,3A
Power	200w	
Minimum Load	1w	
Size	405mm x 85mm x 63mm 16" x 3 3/2" x 2 1/2"	
Dimmable	Yes - Foward phase, Magnetic low volage 5% ~100% Triac	
IP	66	

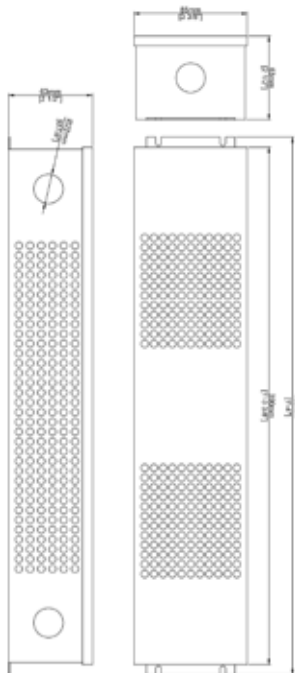
TITANIUM

TECHNOLOGY

TT-DR-CV-384-
24V-BOX- 5 IN 1



- Transformers dimmable to the primary 120vAC.
- 4 x out 96w.
- 5 in 1
- Class 2



Voltage in	120vAC
Voltage out	24vDC Class 2
Amperage in	4,8A
Amperage out	4 x 4A
Power	4 x 96w
Size	405mm x 85mm x 63mm 16" x 3 3/2" x 2 1/2"
Dimmable	Yes 5% ~100% Triac - 0-10V - Potentiometer - 10V PWM
IP	66
Dimming	Triac 0-10V Potentiometer 10V pwm Phase

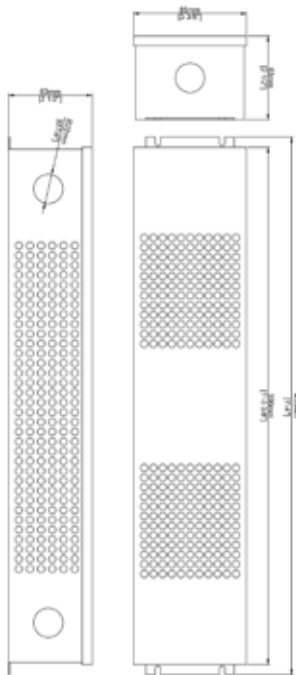
TITANIUM

TECHNOLOGY

TT-DR-CV-384-
24V-BOX



- Transformers dimmable to the primary 120vAC.
- 4 x out 96w.
- ELV dimming
- Class 2

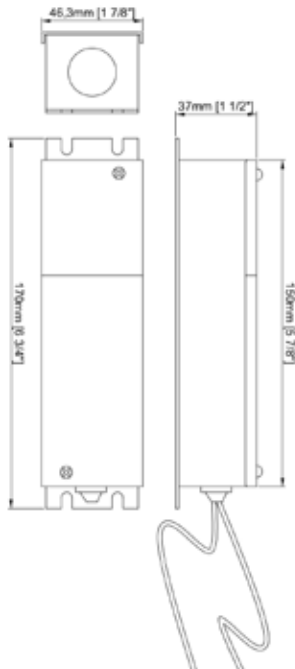


Voltage in	120vAC
Voltage out	24vDC Class 2
Amperage in	4,8A
Amperage out	4 x 4A
Power	4 x 96w
Size	405mm x 85mm x 63mm 16" x 3 3/2" x 2 1/2"
Dimmable	Yes - Foward phase and reverse phase. 5% ~100% Triac - ELV - MLV
IP	66
Dimming	Foward phase Reverse phase ELV MLV Triac

TT-DR-CVB-012



- Transformers dimmable to the primary 120vAC.
- 9,6 watts maximum load.
- Minimum load of 1 watts.
- Triac dimmable from 5% to 100%
- Class 2

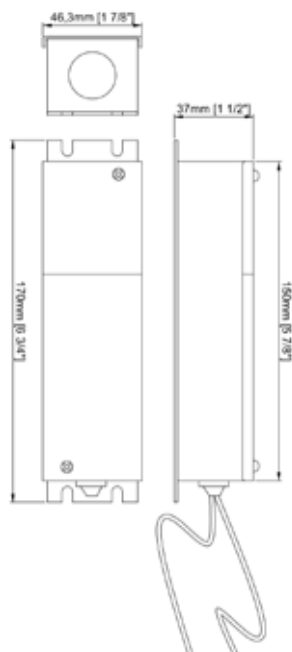


Voltage in	120vAC	
Voltage out	12vDC	24vDC
Amperage in	0,15A	0,13A
Amperage out	1000mA	500mA
Power	12w	
Size	170mm x 46,3mm x 37mm 6 ³ / ₄ " x 1 ⁷ / ₈ " x 1 ¹ / ₂ "	
Dimmable	Yes 5% ~100% Triac	
IP	65	



- Transformers dimmable to the primary 120vAC.
- 16 watts maximum load.
- Triac dimmable from 5% to 100%
- Class 2

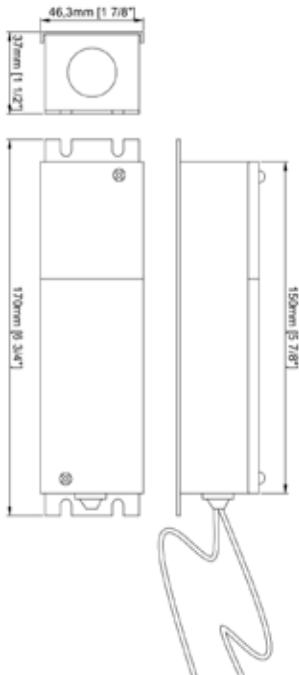
Voltage in	120vAC	
Voltage out	12vDC	24vDC
Amperage in	0,24A	0,22A
Amperage out	1600mA	830mA
Power	19,2w	
Size	170mm x 46,3mm x 37mm 6 ³ / ₄ " x 1 ⁷ / ₈ " x 1 ¹ / ₂ "	
Dimmable	Yes 5% ~100% Triac	
IP	65	



TT-DR-CVB-030



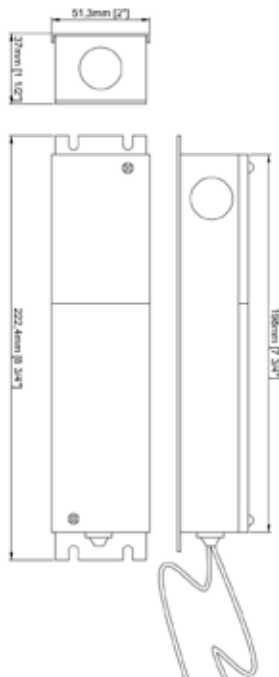
- Transformers dimmable to the primary 120vAC.
- 24 watts maximum load.
- Triac dimmable from 5% to 100%
- Class 2



Voltage in	120vAC	
Voltage out	12vDC	24vDC
Amperage in	0,27A	0,35A
Amperage out	2000mA	1250mA
Power	30w	
Size	170mm x 46,3mm x 37mm 6 ³ / ₄ " x 1 ⁷ / ₈ " x 1 ¹ / ₂ "	
Dimmable	Yes 5% ~100% Triac	
IP	65	



- Transformers dimmable to the primary 120vAC.
- 32 watts maximum load.
- Triac dimmable from 5% to 100%
- Class 2



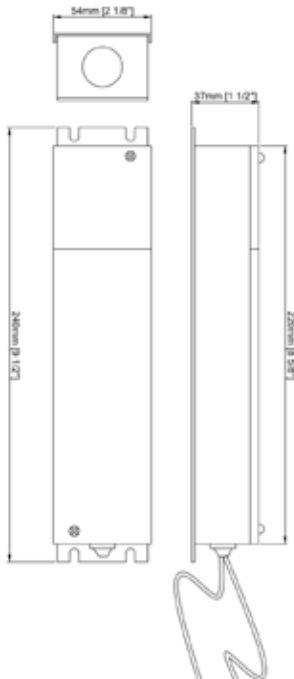
Voltage in	120vAC	
Voltage out	12vDC	24vDC
Amperage in	0,47A	0,47A
Amperage out	3300mA	1700mA
Power	39,6w	
Size	222,3mm x 51,3mm x 37mm 8 3/4" x 2" x 1 1/2"	
Dimmable	Yes 5% ~100% Triac	
IP	65	

TT-DR-CVB-060



- Transformers dimmable to the primary 120vAC.
- 48 watts maximum load.
- Triac dimmable from 5% to 100%
- Class 2

Voltage in	120vAC	
Voltage out	12vDC	24vDC
Amperage in	0,54A	0,7A
Amperage out	4000mA	2500mA
Power	60w	
Size	240mm x 54mm x 37mm 9 1/2" x 2 1/8" x 1 1/2"	
Dimmable	Yes 5% ~100% Triac	
IP	65	



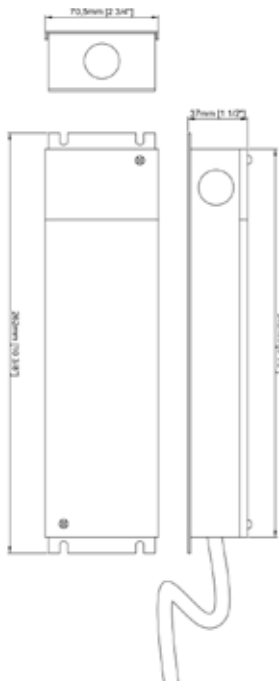
TITANIUM

TECHNOLOGY

TT-DR-CVB-080



- Transformers dimmable to the primary 120vAC.
- 64 watts maximum load.
- Triac dimmable from 5% to 100% Class 2

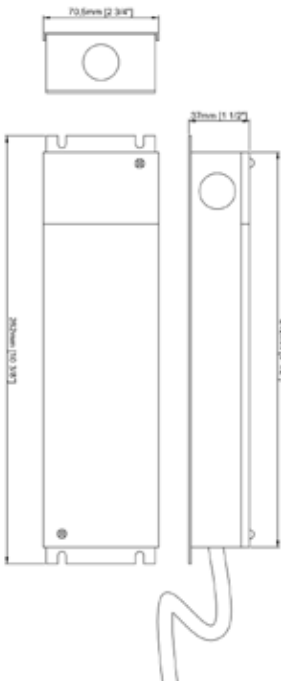


Voltage in	120vAC	
Voltage out	12vDC	24vDC Class 2
Amperage in	1,1A	1A
Amperage out	6000mA	3400mA
Power	72w	
Size	262mm x 70,5mm x 37mm 10 ³ / ₈ " x 2 ³ / ₄ " x 1 ¹ / ₂ "	
Dimmable	Yes 5% ~100% Triac	
IP	65	

TT-DR-CVB-100



- Transformers dimmable to the primary 120vAC.
- 77 watts maximum load.
- Triac dimmable from 5% to 100% Class 2



Voltage in	120vAC	
Voltage out	12vDC	24vDC Class 2
Amperage in	1,2A	1,2A
Amperage out	8A	4A
Power	96w	
Size	262mm x 70,5mm x 37mm 10 3/8" x 2 3/4" x 1 1/2"	
Dimmable	Yes 5% ~100% Triac	
IP	65	

TITANIUM

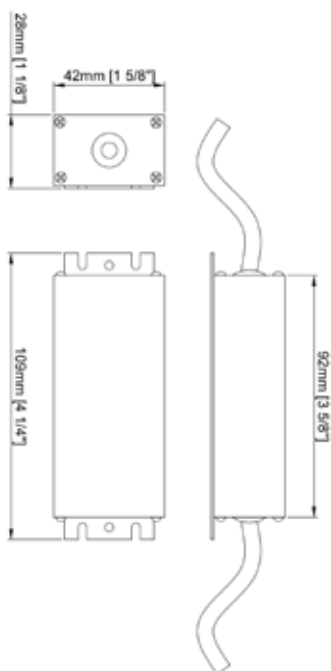
TECHNOLOGY

TT-DR-CV67-012



- Transformers dimmable to the primary 120vAC.
- 9,6 watts maximum load.
- Triac dimmable from 5% to 100%
- Class 2

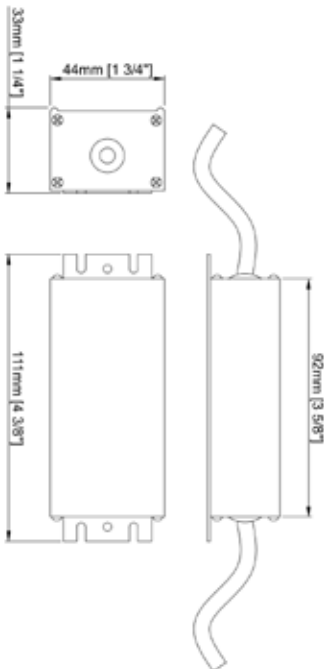
Voltage in	120vAC	
Voltage out	12vDC	24vDC
Amperage in	0,15A	0,13A
Amperage out	1000mA	500mA
Power	12w	
Size	109mm x 42mm x 28mm 4 1/4" x 1 5/8" x 1 1/8"	
Dimmable	Yes 5% ~100% Triac	
IP	67	





- Transformers dimmable to the primary 120vAC.
- 16 watts maximum load.
- Triac dimmable from 5% to 100%
- Class 2

Voltage in	120vAC	
Voltage out	12vDC	24vDC
Amperage in	0,24A	0,22A
Amperage out	1600mA	830mA
Power	19,2w	
Size	111mm x 44mm x 33mm 4 3/8" x 1 3/4" x 1 1/4"	
Dimmable	Yes 5% ~100% Triac	
IP	67	



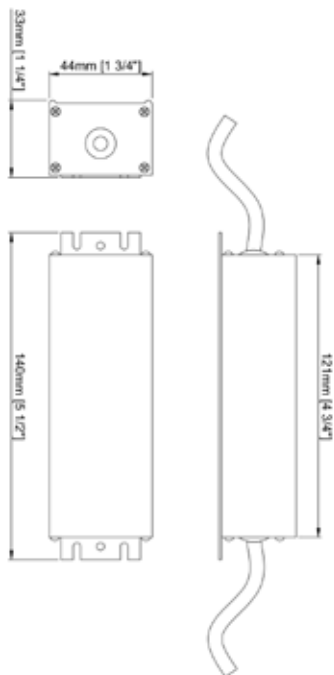
TITANIUM

TECHNOLOGY

TT-DR-CV67-030



- Transformers dimmable to the primary 120vAC.
- 24 watts maximum load.
- Triac dimmable from 5% to 100%
- Class 2

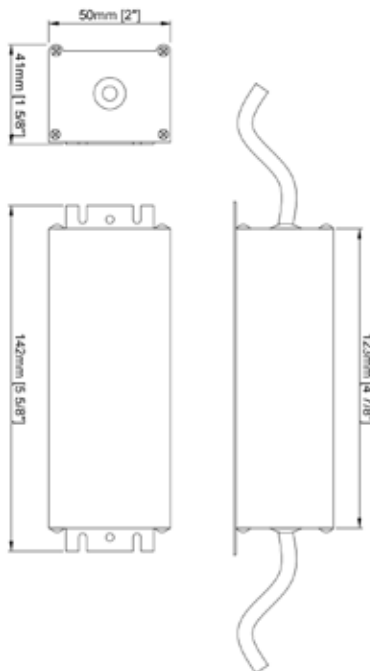


Voltage in	120vAC	
Voltage out	12vDC	24vDC
Amperage in	0,27A	0,35A
Amperage out	2000mA	1250mA
Power	30w	
Size	140mm x 44mm x 33mm 5 1/2" x 1 3/4" x 1 1/4"	
Dimmable	Yes 5% ~100% Triac	
IP	67	

TT-DR-CV67-040



- Transformers dimmable to the primary 120vAC.
- 32 watts maximum load.
- Triac dimmable from 5% to 100%
- Class 2



Voltage in	120vAC	
Voltage out	12vDC	24vDC
Amperage in	0,47A	0,47A
Amperage out	3300mA	1700mA
Power	40w	
Size	142mm x 50mm x 41mm 5 5/8" x 2" x 1 5/8"	
Dimmable	Yes 5% ~100% Triac	
IP	67	

TITANIUM

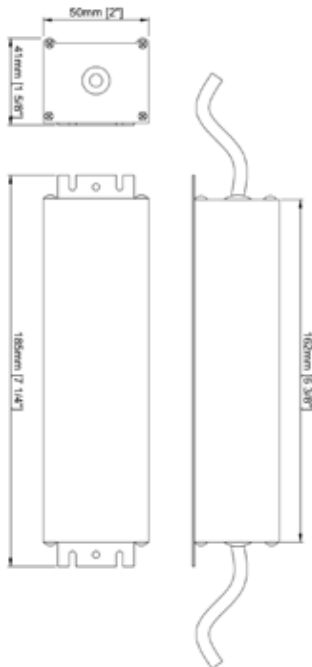
TECHNOLOGY

TT-DR-CV67-060



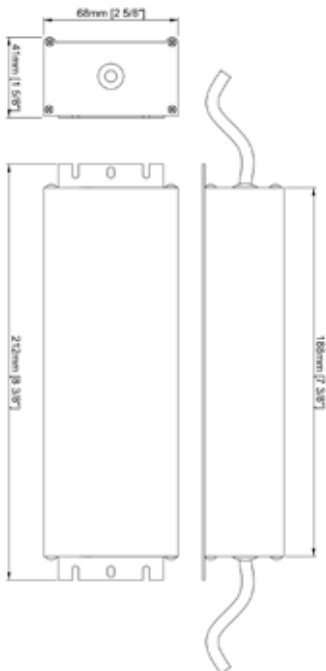
- Transformers dimmable to the primary 120vAC.
- 48 watts maximum load.
- Triac dimmable from 5% to 100%
- Class 2

Voltage in	120vAC	
Voltage out	12vDC	24vDC
Amperage in	0,78A	0,68A
Amperage out	4000mA	2500mA
Power	60w	
Size	185mm x 50mm x 41mm 7 1/4" x 2" x 1 5/8"	
Dimmable	Yes 5% ~100% Triac	
IP	67	





- Transformers dimmable to the primary 120vAC.
- 64 watts maximum load.
- Triac dimmable from 5% to 100%
- Class 2



Voltage in	120vAC	
Voltage out	12vDC	24vDC
Amperage in	1,1A	1A
Amperage out	6000mA	3300mA
Power	72w	
Size	212mm x 68mm x 41mm 8 ³ / ₈ " x 2 ⁵ / ₈ " x 1 ⁵ / ₈ "	
Dimmable	Yes 5% ~100% Triac	
IP	67	

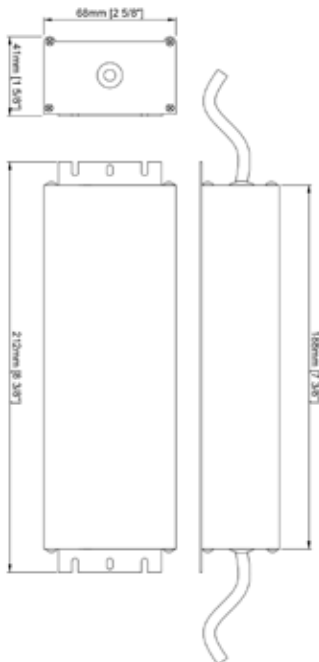
TITANIUM

TECHNOLOGY

TT-DR-CV67-100



- Transformers dimmable to the primary 120vAC.
- 77 watts maximum load.
- Triac dimmable from 5% to 100%
- Class 2



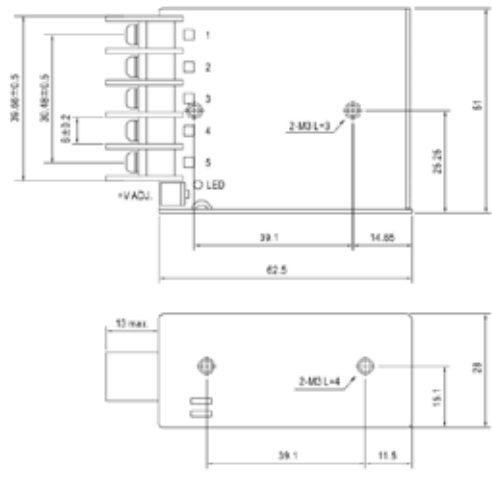
Voltage in	120vAC	
Voltage out	12vDC	24vDC
Amperage in	1,2A	1,2A
Amperage out	8A	4A
Power	96w	
Size	212mm x 68mm x 41mm 8 ³ / ₈ " x 2 ⁵ / ₈ " x 1 ⁵ / ₈ "	
Dimmable	Yes 5% ~100% Triac	
IP	67	

TT-PSU-IP20-015W



- 120 vAC transformer 15 watts.
- Protection against short circuit, over load, over voltage and over heating.
- Screw voltage adjustment +10% -10%.
- Cooling by free air convection.

Voltage in	85~264vAC	
Voltage out	12vDC	24vDC
Amperage in	0,35A	0,35A
Amperage out	1,3A	0,7A
Power	15w	
Size	63mm x 51mm x 28mm 2 1/2" x 2" x 1 1/8"	
Dimmable	No	
IP	20	



Accessories



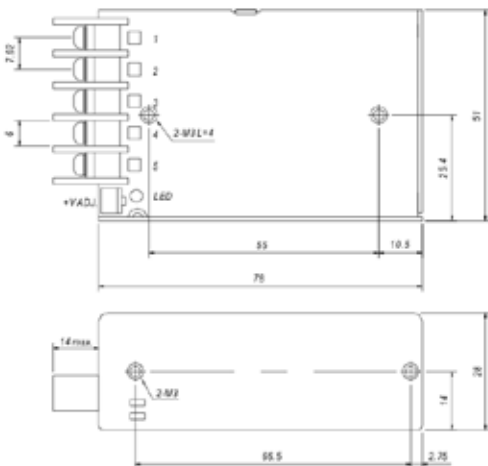
TT-BOX-05

TT-PSU-IP20-025W



- 120 VAC transformer 25 watts.
- Protection against short circuit, over load, over voltage and over heating.
- Screw voltage adjustment +10% -10%.
- Cooling by free air convection.

Voltage in	85~264vAC	
Voltage out	12vDC	24vDC
Amperage in	0,55A	0,55A
Amperage out	2,1A	1,1A
Power	25w	
Size	67mm x 51mm x 28mm 2 ⁵ / ₈ " x 2" x 1 ¹ / ₈ "	
Dimmable	No	
IP	20	



Accessories

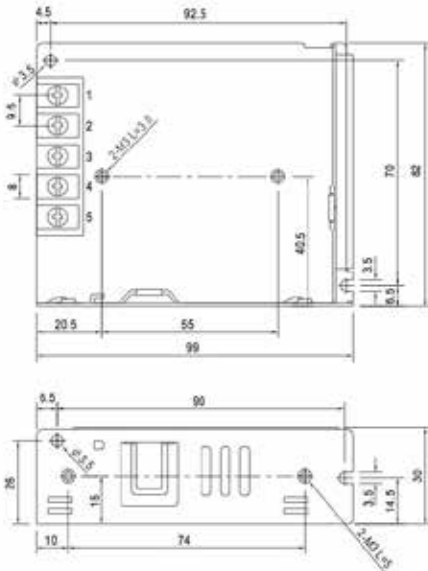


TT-BOX-05



- 120 VAC transformer 50 watts.
- Protection against short circuit, over load, over voltage and over heating.
- Screw voltage adjustment +10% -10%.
- Cooling by free air convection.

Voltage in	85~264vAC	
Voltage out	12vDC	24vDC
Amperage in	0,95A	0,95A
Amperage out	4,2A	2,2A
Power	50w	
Size	99mm x 82mm x 30mm 3 ⁷ / ₈ " x 3 ¹ / ₄ " x 1 ¹ / ₈ "	
Dimmable	No	
IP	20	



Accessories

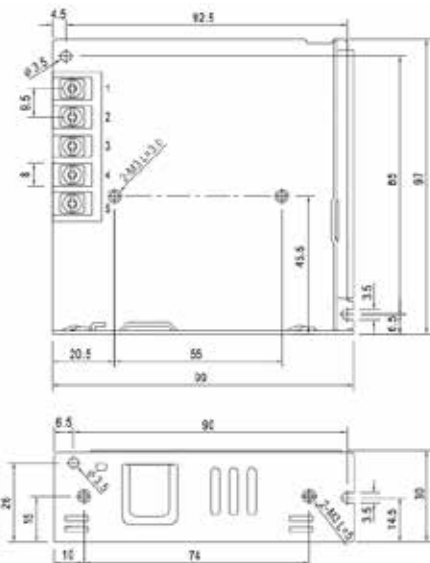


TT-BOX-05



- 120 VAC transformer 75 watts.
- Protection against short circuit, over load, over voltage and over heating.
- Screw voltage adjustment +10% -10%.
- Cooling by free air convection.

Voltage in	85~264vAC	
Voltage out	12vDC	24vDC
Amperage in	1,4A	1,4A
Amperage out	6A	3,2A
Power	75w	
Size	99mm x 97mm x 30mm 3 7/8" x 3 7/8" x 1 1/8"	
Dimmable	No	
IP	20	



Accessories



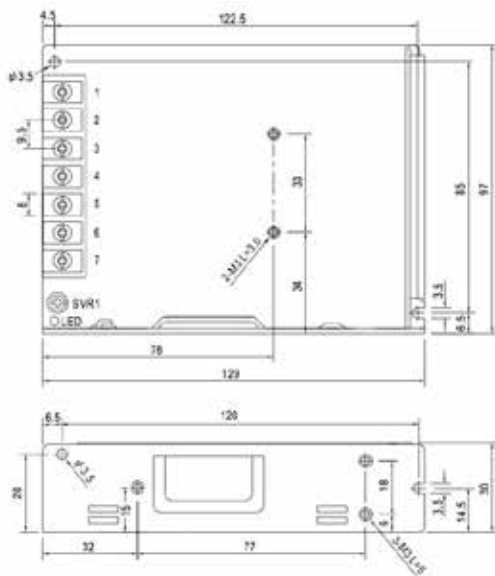
TT-BOX-05

TT-PSU-IP20-100W



- 120 VAC transformer 100w.
- Protection against short circuit, over load, over voltage and over heating.
- Screw voltage adjustment +10% -10%.
- Cooling by free air convection.

Voltage in	85~264vAC	
Voltage out	12vDC	24vDC
Amperage in	1,4A	1,4A
Amperage out	8,5A	4,5A
Power	100w	
Size	129mm x 97mm x 30mm 5 1/8" x 3 7/8" x 1 1/8"	
Dimmable	No	
IP	20	



Accessories



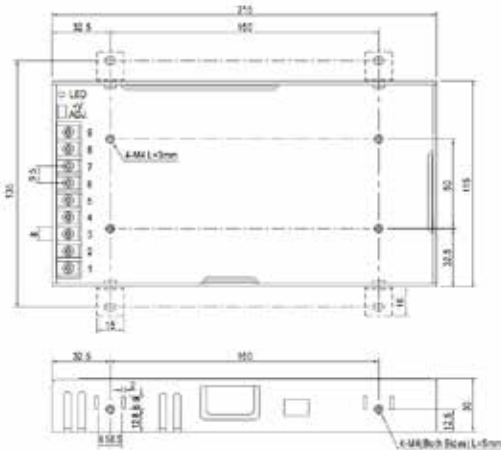
TT-BOX-05

TT-PSU-IP20-200W



- 120 VAC transformer 200 watts.
- Protection against short circuit, over load, over voltage and over heating.
- Screw voltage adjustment +10% -10%.
- Cooling by free air convection.

Voltage in	85~264vAC	
Voltage out	12vDC	24vDC
Amperage in	4A	4A
Amperage out	17A	8,8A
Power	200w	
Size	215mm x 115mm x 30mm 8 ¹ / ₂ " x 4 ¹ / ₂ " x 1 ¹ / ₈ "	
Dimmable	No	
IP	20	



Accessories

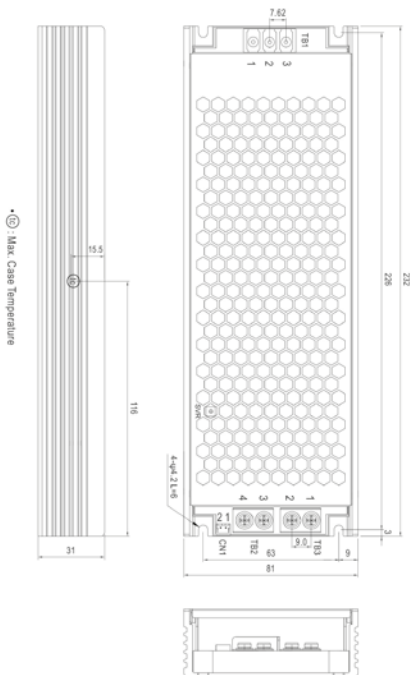


TT-BOX-05



- 120 VAC transformer 500 watts.
- Protection against short circuit, over load, over voltage and over heating.
- Screw voltage adjustment +10% -10%.
- Cooling by fan.

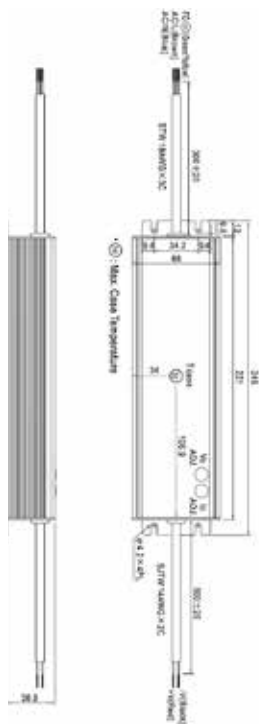
Voltage in	85~264vAC	
Voltage out	12vDC	24vDC
Amperage in	4,85A	4,85A
Amperage out	41,7A	20,9A
Power	500w	
Size	232mm x 81mm x 31mm 9 ¹ / ₈ " x 3 ¹ / ₄ " x 1 ¹ / ₄ "	
Dimmable	No	
IP	20	
Weight	0,905 Kg	



TT-PSU-IP65-150W



- 347 VAC transformer 150w.
- Protection against short circuit, over load, over voltage and over heating.
- Water resistant to IP65.
- Cooling by free air convection.

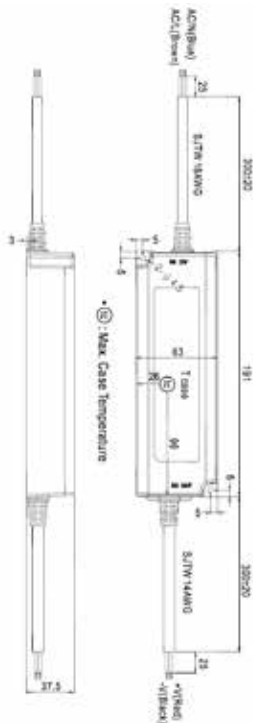


Voltage in	347vAC
Voltage out	24vDC
Amperage in	0.5A
Amperage out	6.25A
Power	150w
Size	245mm x 68mm x 39mm 9 ⁵ / ₈ " x 2 ⁵ / ₈ " x 1 ¹ / ₂ "
Dimmable	No
IP	65

TT-PSU-IP67-150W



- 120 VAC transformer 150w.
- Protection against short circuit, over load, over voltage and over heating.
- Water resistant to IP67.
- Cooling by free air convection.



Voltage in	90~132vAC	
Voltage out	12vDC	24vDC
Amperage in	3A	6,3A
Amperage out	10A	10A
Power	150w	
Size	191mm x 63mm x 38mm 7 1/2" x 2 1/2" x 1 1/2"	
Dimmable	No	
IP	67	

TITANIUM

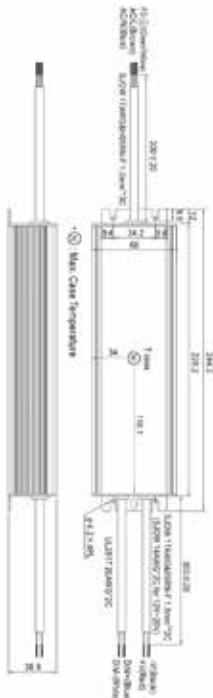
TECHNOLOGY

TT-PSU-IP67-
240W-120V/24V-B



- 120 VAC transformer 240w.
- 0-10V dimming
- Protection against short circuit, over load, over voltage and over heating.
- Water resistant to IP67.
- Cooling by free air convection.

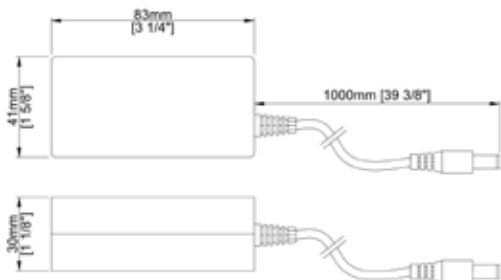
Voltage in	100~240vAC
Voltage out	24vDC
Amperage in	4A
Amperage out	10A
Power	240w
Size	244,2mm x 68mm x 38,8mm 9 ⁵ / ₈ " x 2 ⁵ / ₈ " x 1 ¹ / ₂ "
Dimmable	0 - 10V
IP	67





- Transformer 120vAC 12 watts.
- Protection against short-circuit, overload, over-voltage and overheating.
- Case made of material resistant to heat and fire.
- Class 2

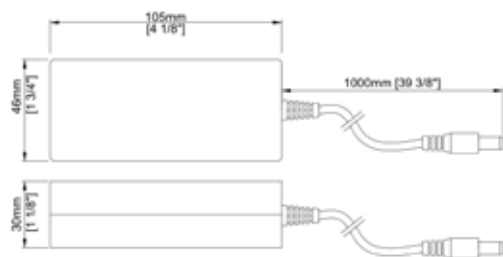
Voltage in	85~264vDC
Voltage out	12vDC
Amperage in	0,2A
Amperage out	1A
Power	12w
Size	83mm x 41mm x 30mm 3 ¹ / ₄ " x 1 ⁵ / ₈ " x 1 ¹ / ₈ "
Dimmable	No
IP	20





- Transformer 120vAC 25 watts.
- Protection against short-circuit, overload, over-voltage and overheating.
- Case made of material resistant to heat and fire.
- Class 2

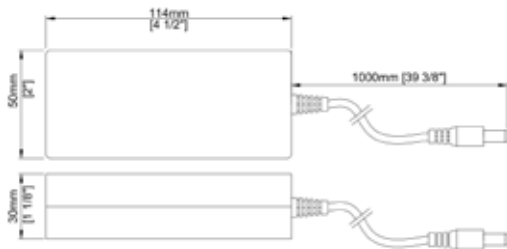
Voltage in	85~264vDC
Voltage out	12vDC
Amperage in	0,6 A
Amperage out	2 A
Power	25w
Size	105 mm x 46,5 mm x 30 mm 4 ¹ / ₈ " x 1 ⁷ / ₈ " x 1 ¹ / ₈ "
Dimmable	No
IP	20





- Transformer 120vAC 36 watts.
- Protection against short-circuit, overload, over-voltage and overheating.
- Case made of material resistant to heat and fire.
- Class 2

Voltage in	85~264vDC
Voltage out	12vDC
Amperage in	2A
Amperage out	3A
Power	36w
Size	114mm x 50mm x 30mm 4 1/2" x 2" x 1 1/8"
Dimmable	No
IP	20



TITANIUM

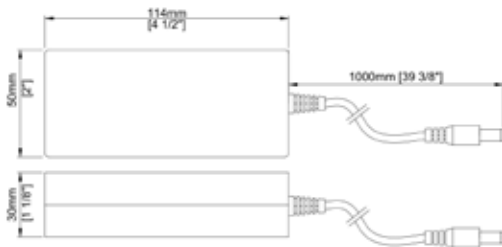
TECHNOLOGY

TT-PSU-IP20-060W



- Transformer 120vAC 60 watts.
- Protection against short-circuit, overload, over-voltage and overheating.
- Case made of material resistant to heat and fire.
- Class 2

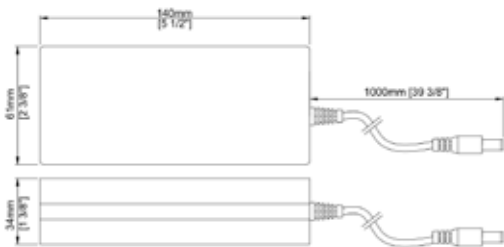
Voltage in	85~264vDC
Voltage out	12vDC
Amperage in	2A
Amperage out	5A
Power	60w
Size	114mm x 50mm x 30mm 4 ¹ / ₂ " x 2" x 1 ¹ / ₈ "
Dimmable	No
IP	20



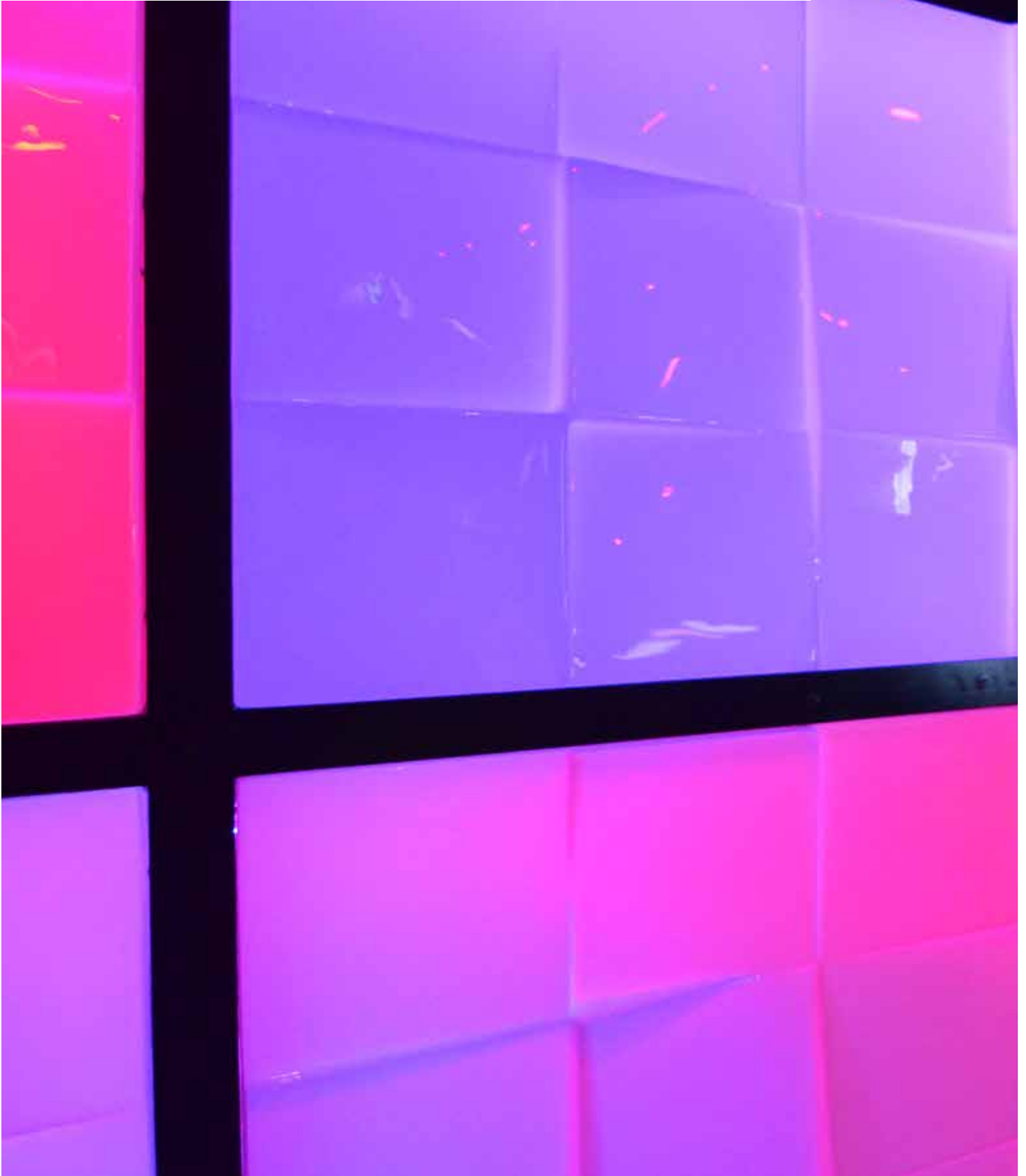


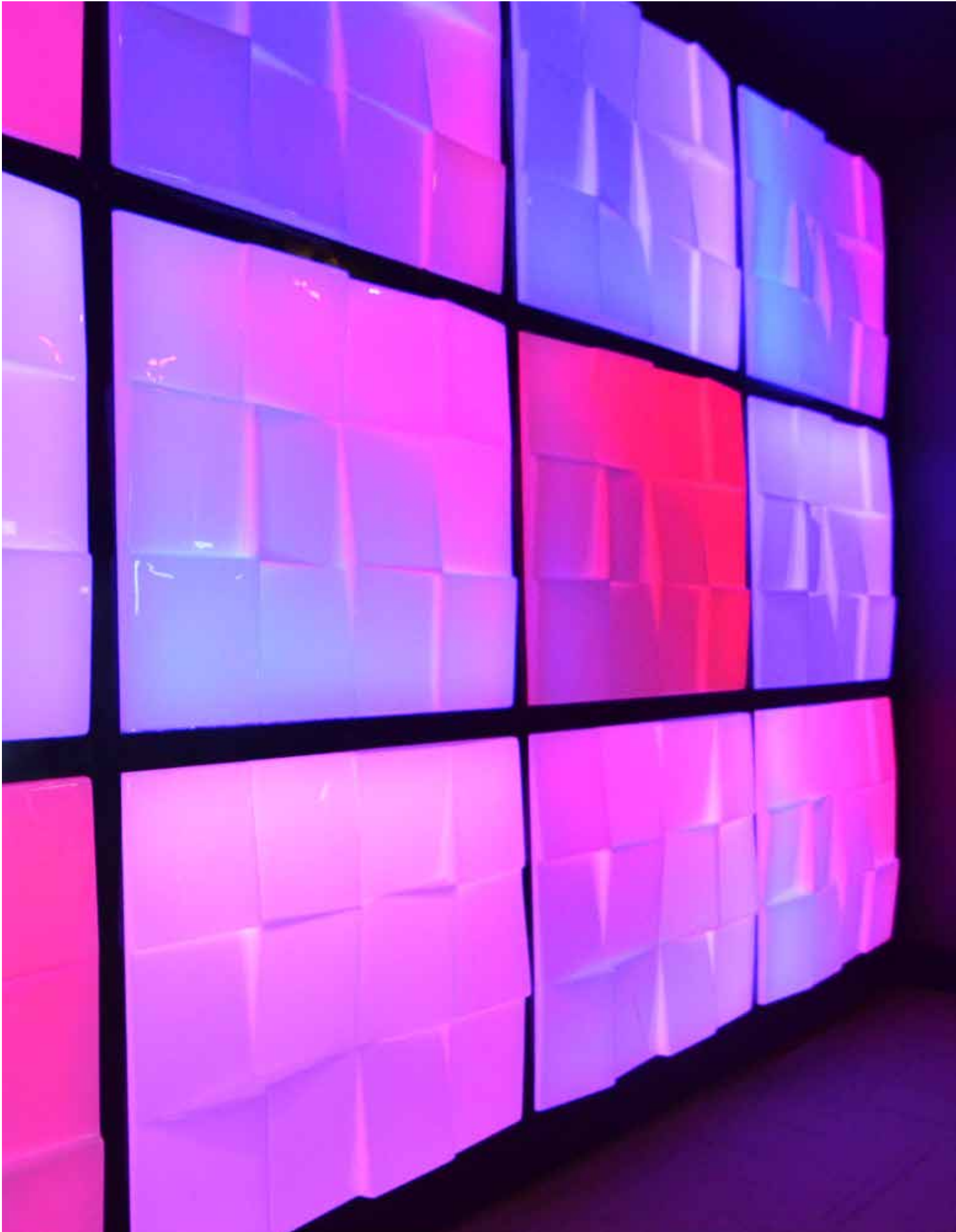
- Transformer 120vAC 96 watts.
- Protection against short-circuit, overload, overvoltage and overheating.
- Case made of material resistant to heat and fire.

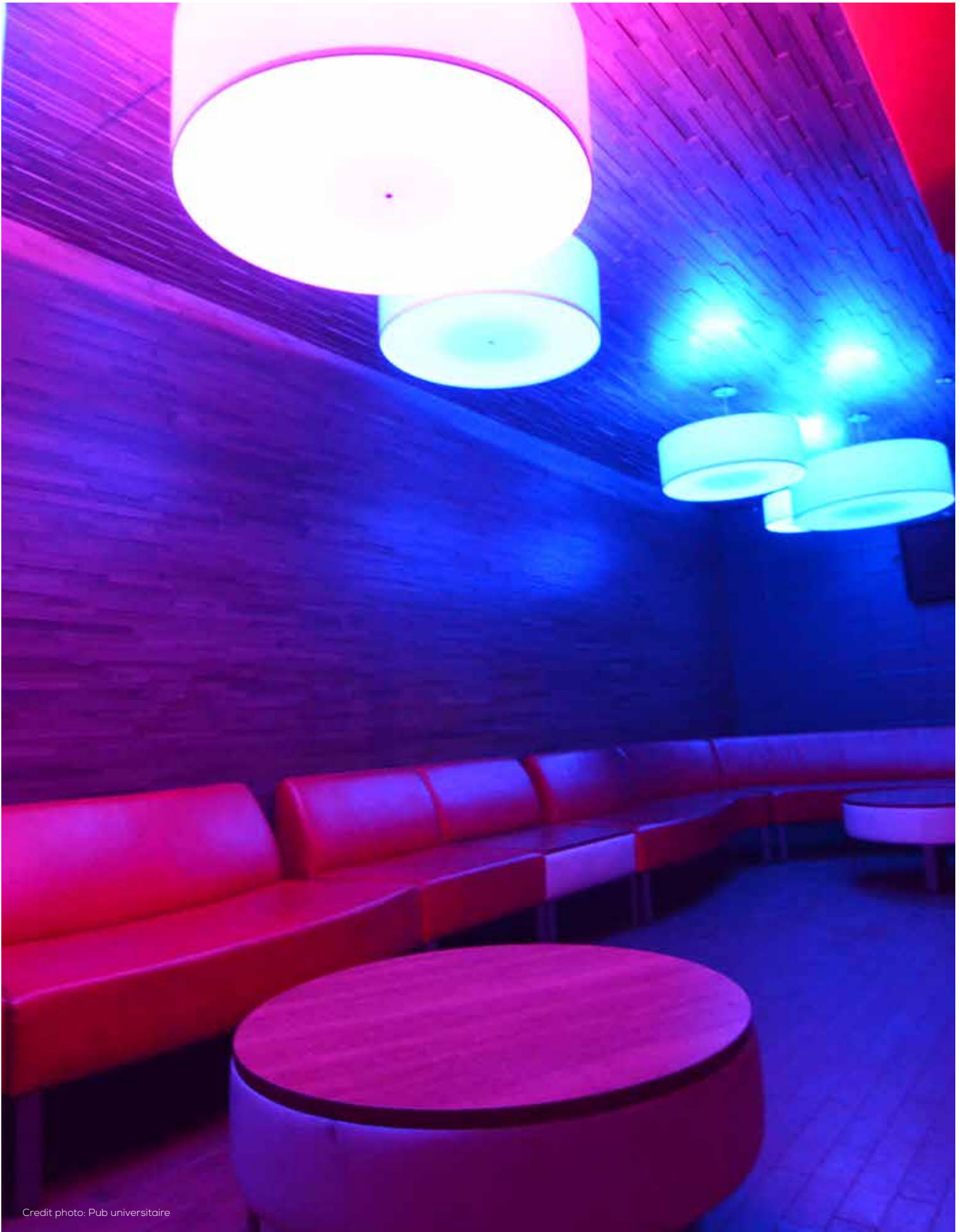
Voltage in	85~264vDC
Voltage out	12vDC
Amperage in	2A
Amperage out	8A
Power	96w
Size	140m x 61mm x 34mm 5 ¹ / ₂ " x 2 ³ / ₈ " x 1 ³ / ₈ "
Dimmable	No
IP	20



CONTROLS







Credit photo: Pub universitaire

TT-U-01 Page 307

Voltage (vDC)	Power (W)	Description
12, 24	100	PWM



TT-U-02 Page 308

Voltage (vDC)	Power (W)	Description
12, 24	100	PWM



TT-U-E4S Page 309

Voltage (vDC)	Power (W)	Description
12	36	Touch panel
24	72	



TT-U-E5S Page 310

Voltage (vDC)	Power (W)	Description
12	36	Touch panel
24	72	



TT-UB1 Page 311

Voltage (vDC)	Power (W)	Description
12, 24	-	Touch panel



TT-UB4 Page 312

Voltage (vDC)	Power (W)	Description
12, 24	-	Touch panel



TT-UB5 Page 313

Voltage (vDC)	Power (W)	Description
12, 24	-	Touch panel



TT-DX-01 Page 316

Voltage (vDC)	Power (W)	Description
100 ~ 240	-	Touch panel



TT-DX-05 Page 317

Voltage (vDC)	Power (W)	Description
100 ~ 240	-	Touch panel



TT-U-UX8 Page 318

Voltage (vDC)	Power (W)	Description
5	-	Touch panel



TT-U-M1 Page 319

Voltage (vDC)	Power (W)	Description
12	60	Remote
24	120	



TT-U-M1-MINI Page 320

Voltage (vDC)	Power (W)	Description
12	36	Remote
24	72	



TT-U-M3-MINI Page 321

Voltage (vDC)	Power (W)	Description
12	36	Remote
24	72	



TT-U-M4 Page 322

Voltage (vDC)	Power (W)	Description
12	60	Remote
24	120	



TT-U-M5-MINI Page 323

Voltage (vDC)	Power (W)	Description
12	36	Remote
24	72	



TT-U-M6 Page 324

Voltage (vDC)	Power (W)	Description
12	60	Remote
24	120	



TT-WIFI-104 Page 325

Voltage (vDC)	Power (W)	Description
12	48	Wifi
24	96	



TT-STICK-GU2 Page 326

Voltage (vDC)	Power (W)	Description
5 ~ 12	-	Touch panel



TT-STICK-GA2 Page 326

Voltage (vDC)	Power (W)	Description
5 ~ 12	-	Touch panel



TT-STICK-CW4 Page 326

Voltage (vDC)	Power (W)	Description
5 ~ 15	-	Touch panel



TT-STICK-DE3 Page 326

Voltage (vDC)	Power (W)	Description
5 ~ 6	-	Touch panel



TT-STICK-KE2 Page 326

Voltage (vDC)	Power (W)	Description
5 ~ 6	-	Touch panel



TT-SUITE3-BC Page 327

Voltage (vDC)	Power (W)	Description
5	-	Sunlite



TT-SUITE3-EC Page 327

Voltage (vDC)	Power (W)	Description
5	-	Sunlite



TT-SLESA-U11 Page 328

Voltage (vDC)	Power (W)	Description
5	-	Sunlite



TT-SLESA-U10 Page 328

Voltage (vDC)	Power (W)	Description
5	-	Sunlite



TT-SLESA-U9 Page 328

Voltage (vDC)	Power (W)	Description
5	-	Sunlite



TT-DX-R4-5A Page 329

Voltage (vDC)	Power (W)	Description
5	25	Remote
12	60	
24	120	



TT-DMX-4C Page 330

Voltage (vDC)	Power (W)	Description
5	30	DMX
12	72	
24	144	



TT-DMX-5C Page 331

Voltage (vDC)	Power (W)	Description
12	60	DMX
24	120	



TT-DMX-32C Page 332

Voltage (vDC)	Power (W)	Description
12	36	DMX
24	72	



TT-AMP-4-32 Page 333

Voltage (vDC)	Power (W)	Description
5	40	?
12	96	
24	192	



TT-AMP-5-50 Page 334

Voltage (vDC)	Power (W)	Description
5	50	?
12	120	
24	240	



TT-DMX-OPTO Page 335

Voltage (vDC)	Power (W)	Description
12	8	DMX
24		

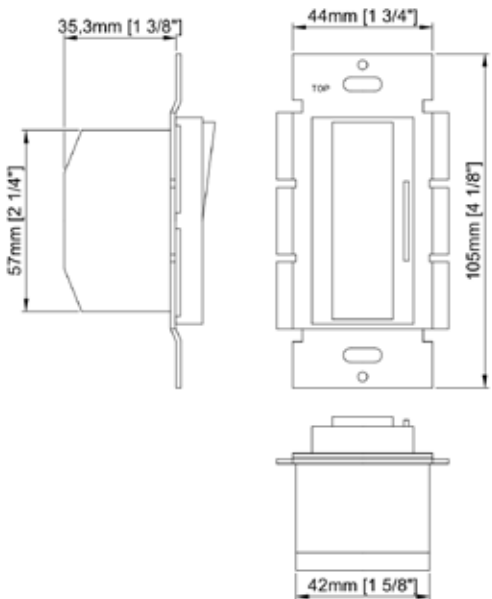


TT-U-01



- Decora style dimmer DC 1-way.
- Switch and slide dimmer.
- Maximum load of 96 watts.

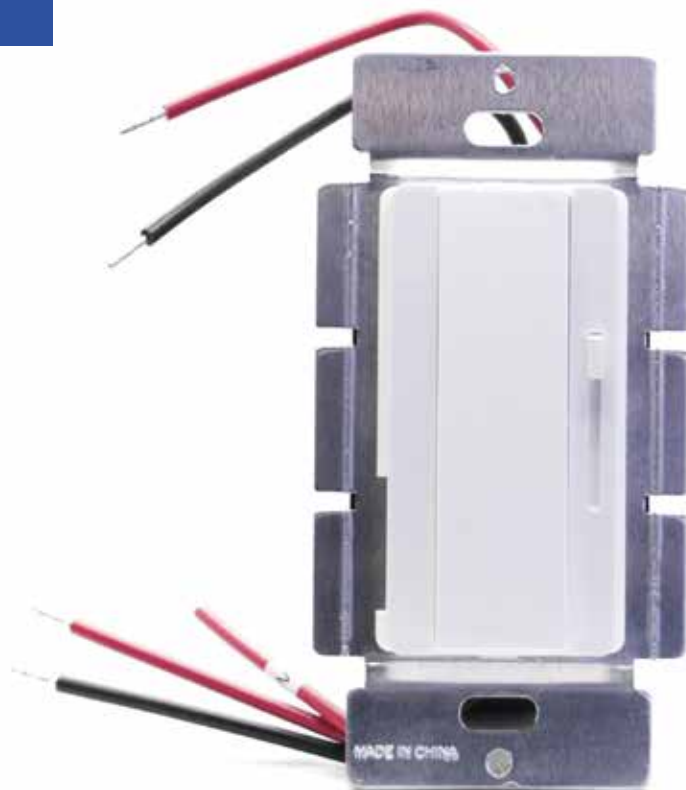
Voltage	12vDC	24vDC
Power	100w	
Amperage	8,33A	4,16A
Finish	White	
Dimmable	Yes 5%~100% - PMW	
Size	105mm x 44mm x 35mm 4 ¹ / ₈ " x 1 ³ / ₄ " x 1 ³ / ₈ "	
IP	20	



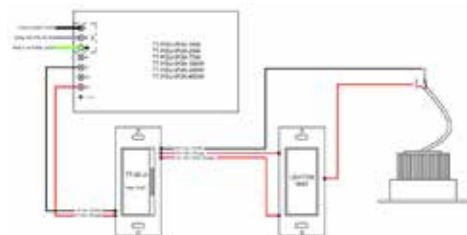
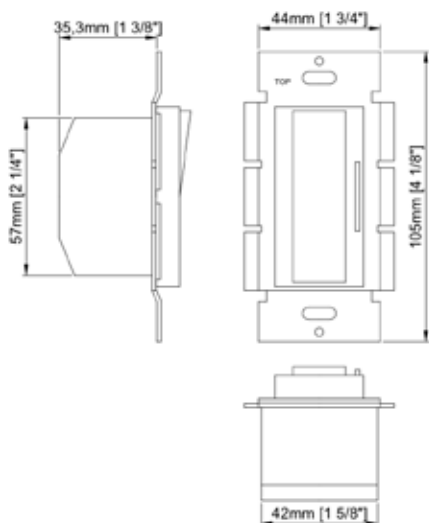
TITANIUM

TECHNOLOGY

TT-U-02



- Decora style dimmer DC 3-way.
- Switch and slide dimmer.
- Maximum load of 96 watts.



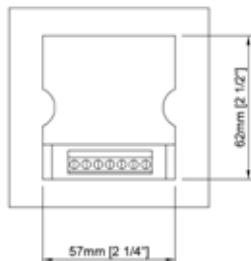
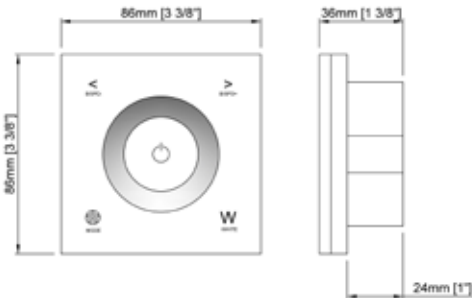
Voltage	12vDC	24vDC
Power	100w	
Amperage	8,33A	4,16A
Finish	White	
Dimmable	Yes 5%~100% - PWM	
Size	105mm x 44mm x 35mm 4 ¹ / ₈ " x 1 ³ / ₄ " x 1 ³ / ₈ "	
IP	20	

TT-U-E4S



- One RGBW zone touch panel Controller.
- Connects directly to 12vDC or 24vDC.
- 4A per channel, 16A maximum.
- Install to the wall with a Euro-
pean-style connection box T
T-BOX-03.

Voltage	12vDC	24vDC
Power per channel	36w	72w
Amperage per channel	3A	3A
Channel	4	
Finish	White	
Dimmable	Yes	
Size	86mm x 86mm x 36mm 3 ³ / ₈ " x 3 ³ / ₈ " x 1 ³ / ₈ "	
IP	20	



Accessories



TT-BOX-03

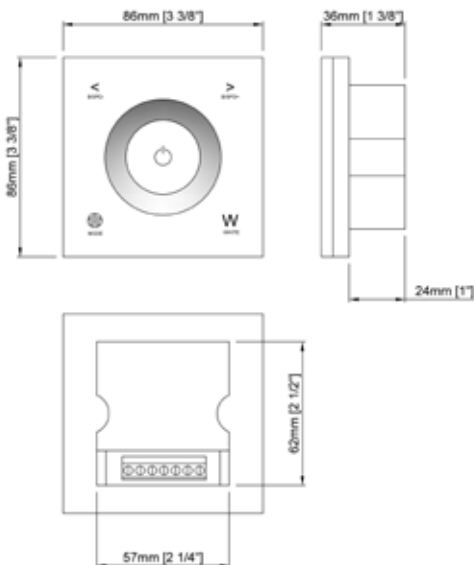


TT-Q4

TT-U-E5S



- One RGB+CCT zone touch panel Controller.
- Connects directly to 12vDC or 24vDC.
- 3A per channel, 12A maximum.
- Install to the wall with a Euro-pean-style connection box TT-BOX-03.



Voltage	12vDC	24vDC
Power per channel	36w	72w
Amperage per channel	3A	3A
Channel	5	
Finish	White	
Dimmable	Yes	
Size	86mm x 86mm x 36mm 3 ³ / ₈ " x 3 ³ / ₈ " x 1 ³ / ₈ "	
IP	20	

Accessories



TT-BOX-03



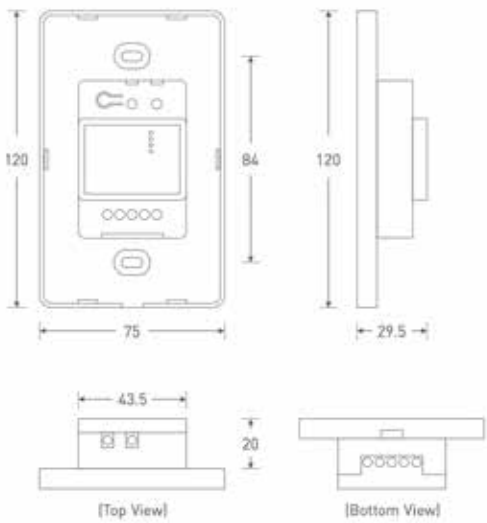
TT-Q5

TT-UB1



- Touch panel
- Control 1 color
- 4 Zones
- 4 Scene keys
- Control by app

Voltage	12vDC, 24vDC
Wireless protocol	Bluetooth 5.0 Sig Mesh
Output signal	DMX
Zones	4
Size	120 mm X 75 mm X 30 mm 4 ³ / ₄ " X 2 ¹⁵ / ₁₆ " X 1 ³ / ₁₆ "



TITANIUM

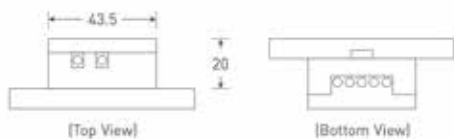
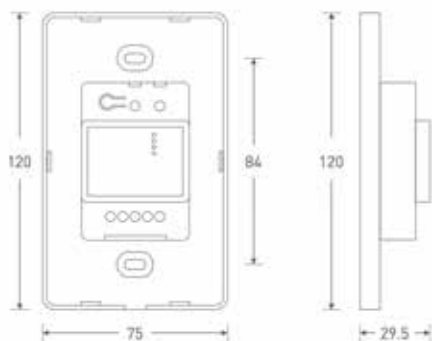
TECHNOLOGY

TT-UB4



- Touch panel
- Control RGBW
- 4 Zones
- 4 Scene keys
- Control by app

Voltage	12vDC, 24vDC
Wireless protocol	Bluetooth 5.0 Sig Mesh
Output signal	DMX
Zones	4
Size	120 mm X 75 mm X 30 mm 4 ³ / ₄ " X 2 ¹⁵ / ₁₆ " X 1 ³ / ₁₆ "



Accessories



TT-RC4

TITANIUM

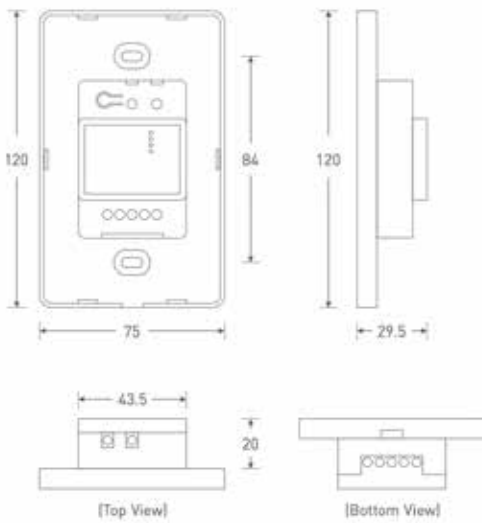
TECHNOLOGY

TT-UB5



- Touch panel
- Control RGCCT
- 4 Zones
- 4 Scene keys
- Control by app

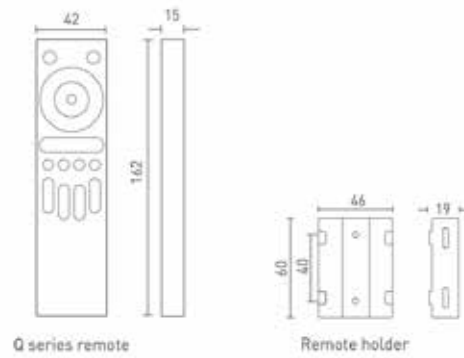
Voltage	12vDC, 24vDC
Wireless protocol	Bluetooth 5.0 Sig Mesh
Output signal	DMX
Zones	4
Size	120 mm X 75 mm X 30 mm 4 ³ / ₄ " X 2 ¹⁵ / ₁₆ " X 1 ³ / ₁₆ "



TT-Q4



- 4 zones control RGBW
- RF 2,4 GHz
- Work with TT-U-E4S



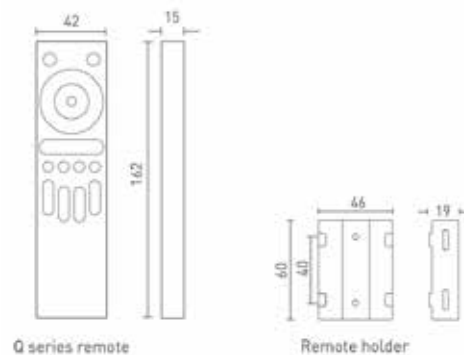
Accessories



TT-Q5



- 4 zones control RGB CCT
- RF 2,4 GHz
- Work with TT-U-E5S



Accessories



TT-RC4



- Control TT-UB4
- 4 zones
- Bluetooth led remote

Accessories



TT-UB4

TT-DX-01



- One white zone touch panel Controller.
- Connects directly to 120vAC.
- Transmits DMX512 and RF2,4 GHz signal.
- Install to the wall with a European-style connection box TT-BOX-03.

Voltage	100~240vAC
---------	------------

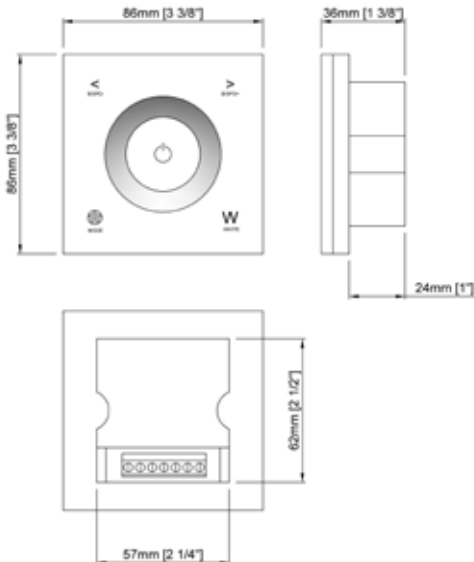
Signal output	RF 2,4Ghz DMX 512
---------------	----------------------

Channel	1
---------	---

Finish	White
--------	-------

Size	86mm x 86mm x 36mm 3 ³ / ₈ " x 3 ³ / ₈ " x 1 ³ / ₈ "
------	---

IP	20
----	----



Accessories



TT-BOX-03



TT-DX-R4-5A



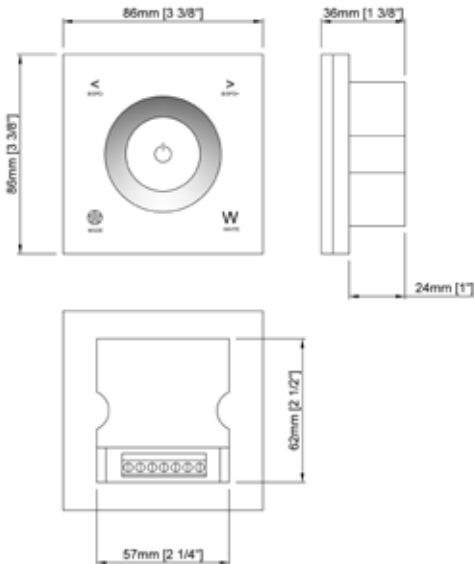
TT-DMX-4C

TT-DX-05



- Four white zones touch panel Controller.
- Connects directly to 120vAC.
- Transmits DMX512 and RF2,4 GHz signal.
- Install to the wall with a European-style connection box T T-BOX-03.

Voltage	100~240vAC
Signal output	RF 2,4Ghz DMX 512
Channel	4
Finish	White
Size	86mm x 86mm x 36mm 3 ³ / ₈ " x 3 ³ / ₈ " x 1 ³ / ₈ "
IP	20



Accessories



TT-BOX-03



TT-DX-R4-5A



TT-DMX-4C

TT-U-UX8



- Four RGBW zones touch panel Controller.
- Connects directly to 5vDC. Power supply 120vAC include
- Transmitting DMX and RF2,4 GHz signal.

Voltage	5vDC
---------	------

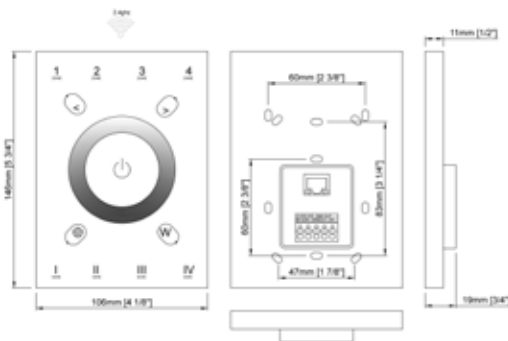
Signal output	RF 2,4Ghz DMX 512
---------------	----------------------

Channel	16
---------	----

Finish	White
--------	-------

Size	146mm x 106mm x 19mm 5 ³ / ₄ " x 4 ¹ / ₈ " x ³ / ₄ "
------	---

IP	20
----	----



Accessories



TT-DX-R4-5A



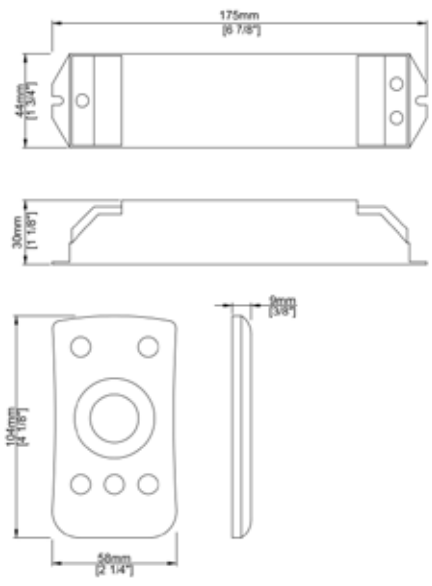
TT-DMX-4C

TT-U-M1



- The M series is a remote receiver set all-in-one.
- The remote can control four outputs channel of the receiver simultaneously.
- The set includes a wall bracket for remote control.

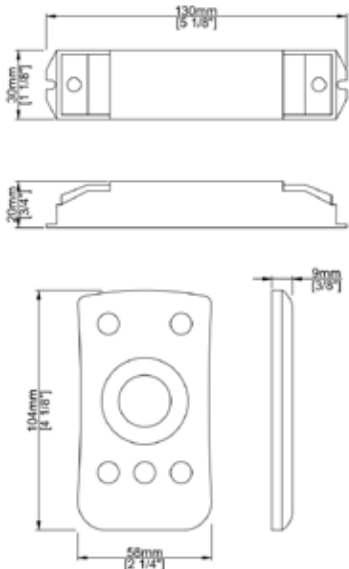
Voltage	12vDC	24vDC
Power per channel	60w	120w
Amperage per channel	5A	5A
Channel	4	
Finish	White	
Dimmable	Yes	
Size	Remote 104mm X 58mm X 9mm 4 ¹ / ₈ " x 2 ¹ / ₄ " x 3 ³ / ₈ " Receiver 175mm X 44mm X 30mm 6 ⁷ / ₈ " x 1 ³ / ₄ " x 1 ¹ / ₈ "	
IP	20	



TT-U-M1-MINI



- The M series is a remote receiver set all-in-one.
- The remote can control four outputs channel of the receiver simultaneously.
- The set includes a wall bracket for remote control.



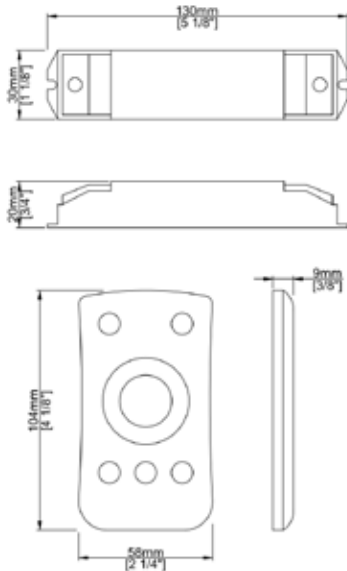
Voltage	12vDC	24vDC
Power per channel	36w	72w
Amperage per channel	3A	3A
Channel	3	
Finish	White	
Dimmable	Yes	
Size	Remote 104mm X 58mm X 9mm 4 ¹ / ₈ " x 2 ¹ / ₄ " x ³ / ₈ " Receiver 130mm X 30mm X 20mm 5 ¹ / ₈ " x 1 ¹ / ₈ " x ³ / ₄ "	
IP	20	

TT-U-M3-MINI



- The M series is a remote receiver set all-in-one.
- The three-channel remote can controls each receiver outputs independently in mode RGB.
- The set includes a wall bracket for remote control.

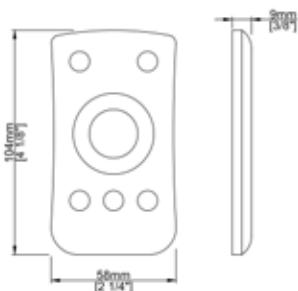
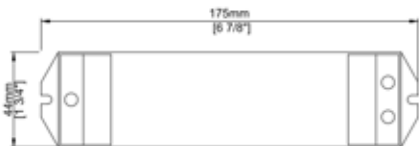
Voltage	12vDC	24vDC
Power per channel	36w	72w
Amperage per channel	3A	3A
Channel	3	
Finish	White	
Dimmable	Yes	
Size	Remote 104mm X 58mm X 9mm 4 ¹ / ₈ " x 2 ¹ / ₄ " x ³ / ₈ " Receiver 130mm X 30mm X 20mm 5 ¹ / ₈ " x 1 ¹ / ₈ " x ³ / ₄ "	
IP	20	





- The M series is a remote receiver set all-in-one.
- The four-channel remote can controls each receiver outputs independently in mode RGBW.
- The set includes a wall bracket for remote control.

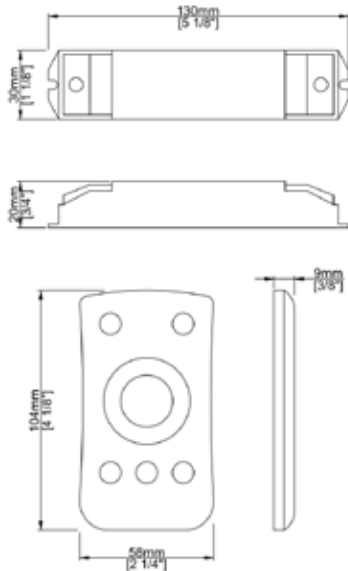
Voltage	12vDC	24vDC
Power per channel	60w	120w
Amperage per channel	5A	5A
Channel	4	
Finish	White	
Dimmable	Yes	
Size	Remote 104mm X 58mm X 9mm 4 ¹ / ₈ " x 2 ¹ / ₄ " x ³ / ₈ " Receiver 175mm X 44mm X 30mm 6 ⁷ / ₈ " x 1 ³ / ₄ " x 1 ¹ / ₈ "	
IP	20	



TT-U-M5-MINI



- The M series is a remote receiver set all-in-one.
- The three-channel remote can controls each receiver outputs independently in mode CCT.
- The set includes a wall bracket for remote control.



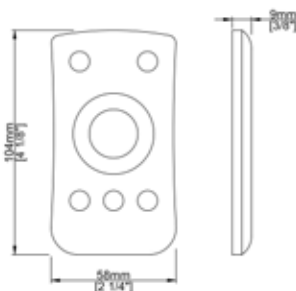
Voltage	12vDC	24vDC
Power per channel	36w	72w
Amperage per channel	3A	3A
Channel	2	
Finish	White	
Dimmable	Yes	
Size	Remote 104mm X 58mm X 9mm 4 ¹ / ₈ " x 2 ¹ / ₄ " x ³ / ₈ " Receiver 130mm X 30mm X 20mm 5 ¹ / ₈ " x 1 ¹ / ₈ " x ³ / ₄ "	
IP	20	

TT-U-M6



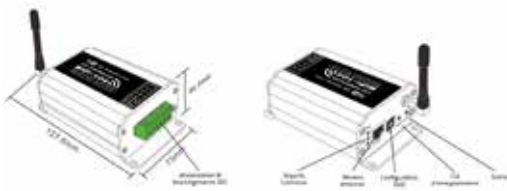
- The M series is a remote receiver set all-in-one.
- The four-channel remote can controls each receiver outputs independently in mode RGBW.
- The set includes a wall bracket for remote control.

Voltage	12vDC	24vDC
Power per channel	60w	120w
Amperage per channel	5A	5A
Channel	4	
Finish	White	
Dimmable	Yes	
Size	Remote 104mm X 58mm X 9mm 4 ¹ / ₈ " x 2 ¹ / ₄ " x ³ / ₈ " Receiver 175mm X 44mm X 30mm 6 ⁷ / ₈ " x 1 ³ / ₄ " x 1 ¹ / ₈ "	
IP	20	



TT-WIFI-104

- Lighting management system by iOS or Android.
- Compatible with Wi-Fi networks already in place.
- Communicate by RF2.4GHz receptor TT-R4-5A.
- Can control up to 12 zones through receptors.
- A network can count two-WIFI unit TT-104, for a total of 24 zones in the same network.



Voltage	12vDC	24vDC
Power per channel	48w	96w
Amperage per channel	4A	4A
Channel	4	
Finish	Silver	
Dimmable	Yes	
Size	73mm X 45mm X 128mm 2 7/8" x 1 3/4" x 5"	
IP	20	



Accessories



TT-DX-R4-5A

STICK CONTROLLER SERIES

- Wall touch lighting controller.
- Computer programming and operates in standalone mode thereafter.
- Can be controlled by mobile application.



Product code	TT-STICK-GU2	TT-STICK-GA2	TT-STICK-CW4	TT-STICK-DE3	TT-STICK-KE2
USB connection	•	•	•	•	•
Ethernet connection		•	•	•	•
DMX channels	128	512	1024	1024	1024
Easy Stand Alone 2 (PC/MAC)	•	•	•	•	•
Easy Stand Alone Pro	•	•	•	•	•
Stick Remote App			•	•	•
Arcolis app			•	•	•
Number of scenes	24	99	36	500	200
Number of zone	1	1	1	10	5
Stand alone memory	12K	79K	76K	microSD	microSD
Live control	Color and dimmer	Color and dimmer	Color and dimmer	Color, dimmer, speed	Color, dimmer, speed
Touch-sensitive buttons	3	4	12 + wheel	10 + wheel	12 + cursor
Port triggering	1	8	8	8	8
Clock triggering			100	100	40
RS232 triggering				•	•
Size	86 x 86 x 11 mm 3 ³ / ₈ " x 3 ³ / ₈ " x 3 ³ / ₈ "	86 x 110 x 11 mm 3 ³ / ₈ " x 3 ³ / ₈ " x 3 ³ / ₈ "	106 x 146 x 11 mm 4 ¹ / ₈ " x 5 ³ / ₄ " x 3 ³ / ₈ "	106 x 146 x 11 mm 4 ¹ / ₈ " x 5 ³ / ₄ " x 3 ³ / ₈ "	130 x 170 x 11 mm 5 ¹ / ₈ " x 6 ³ / ₄ " x 3 ³ / ₈ "
Power	5~12vDC 300mA	5~12vDC 300mA	5~15vDC 300mA	5~6vDC 300mA	5~6vDC 300mA

SUNLITE SUITE 3 SERIES

- Computer lighting control module.
- Can be controlled remotely by mobile application.



Product code	TT-SUITE3-BC	TT-SUITE3-EC
USB connection	•	•
Ethernet connection		
ArtNet connection	*option	*option
DMX channels	256	1024
Easy Stand Alone		
Easy Stand Alone 2	*option	
Sunliet Suite 3	Express	Full
Sunlite Suite 2	Express	Full
Easy Remote App		
Number of zone		
Stand alone memory	64K	100K
Buttons		3
Port triggering		8
Clock triggering		
MIDI triggering		
RDM	*option	*option
Size	88 x 50 x 38 mm 3 1/2" x 2" x 1 1/2"	79 x 92 x 43 mm 3 1/8" x 3 5/8" x 1 3/4"
Power	5vDC via USB-C	5vDC via USB-C

SLEA CONTROLLER SERIES

- Full range of standalone DMX interfaces.
- For architectural applications or installations
- Each DMX interface corresponds to a well-identified use and its association with one of the software of the range allows to control the lighting of places as diverse as houses, hotels, restaurants, offices, monuments, fountains, gardens ...



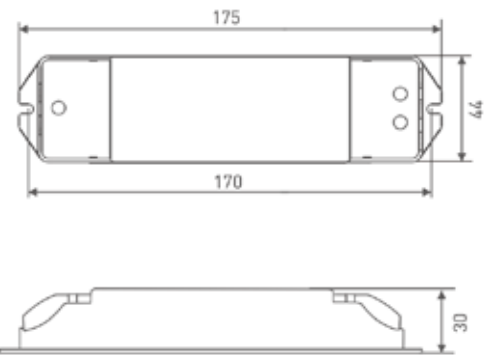
Product code	TT-SLESA-U11	TT-SLESA-U10	TT-SLESA-U9
USB connection	•	•	•
Ethernet connection	•		
WiFi connection		•	
DMX channels	1024	512	256
Easy Stand Alone		•	•
Easy Stand Alone 2	•	•	•
Easy Stand Alone Pro			
Easy Stand Alone Pro 2	•	•	•
Arcolis	•		
Number of scenes	99	99	20
Number of zone	5	1	1
Stand alone memory	microSD	100K	20K
Buttons		3	3
Port triggering	16	8	8
Clock triggering			
Infrared triggering			
Size	160 x 90 x 45 mm 6 ⁵ / ₁₆ " x 3 ⁹ / ₁₆ " x 1 ³ / ₄ "	79 x 92 x 43 mm 3 ¹ / ₈ " x 3 ⁵ / ₈ " x 1 ³ / ₄ "	79 x 92 x 43 mm 3 ¹ / ₈ " x 3 ⁵ / ₈ " x 1 ³ / ₄ "
Power	5vDC 300mA USB-C	5vDC 300mA USB-C	5vDC 300mA mini USB

TT-DX-R4-5A



- RF 2.4GHz receiver
- Dimming, CT, RGB, RGBW led light
- Support DX/UX series
- Support WiFi-104 gateway controlling

Voltage	5vDC	12vDC	24vDC
Power per channel	25w	60w	120w
Amperage per channel	5A	5A	5A
Channel	4		
Finish	White		
Dimmable	Yes		
Size	175mm X 44mm X 30mm 6 ⁷ / ₈ " x 1 ³ / ₄ " x 1 ¹ / ₈ "		
IP	20		

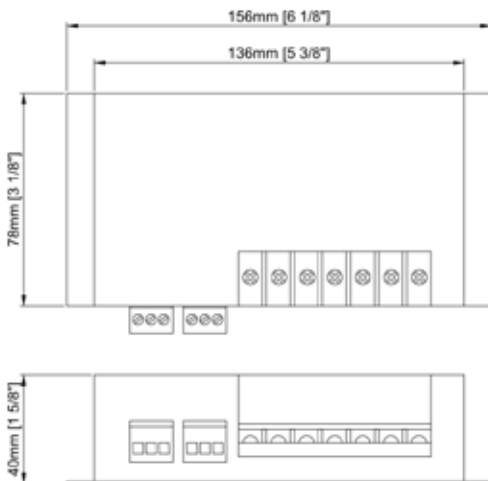


TT-DMX-4C



- LT-840-6A communication, achieves remote management of reading and writing DMX address (DMX master controller must recognize the RDM protocol). Equipped with DMX standard 3-pin XLR, RJ45, green terminal interface.
- Realize 0-100% dimming or different lighting effect; workable with single color, bi-color, RGB or RGBW LED lamps. With the standard RDM remote device management protocol, supports DMX512 signal bi-directional.

Voltage	5vDC	12vDC	24vDC
Power per channel	30w	72w	144w
Amperage per channel	6A	6A	6A
Channel	4		
Finish	Black		
Dimmable	Yes		
Size	156mm X 78mm X 40mm 6 ¹ / ₈ " x 3 ¹ / ₈ " x 1 ⁵ / ₈ "		
IP	20		

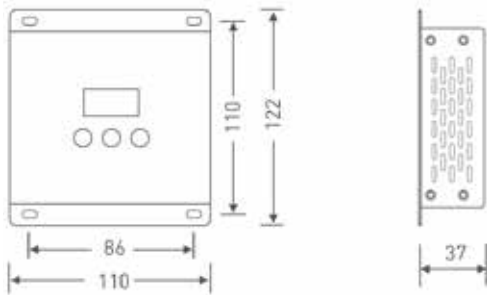


TT-DMX-5C



- Designed for Hi-power multiple channels application, 5 channels output, and Max. 5A current per channel, up to 600W output power.
- Five kinds of mode optional: single color, color temperature, RGB, RGBW or RGB CCT
- Support 2 kinds of DMX ports with signal isolation function: XLR-5 or RJ45.
- With RDM remote management protocol the operations can be completed via the RDM master console, such as parameters browsing & setting, DMX address setting,

Voltage	12vDC	24vDC
Power per channel	60W	120w
Amperage per channel	5A	5A
Maximum amperage	25A	
Channel	5	
Finish	Black	
Dimmable	Yes	
Size	110mm X 122mm X 37mm 4 ³ / ₈ " x 4 ³ / ₄ " x 1 ¹ / ₂ "	
IP	20	

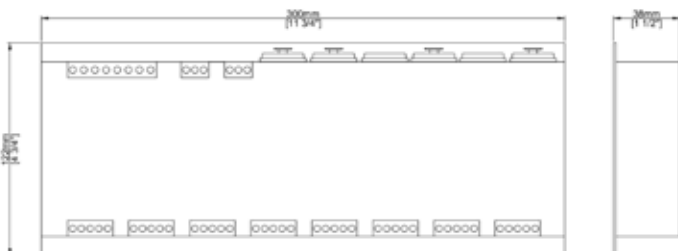


TT-DMX-32C



- Designed for Hi-power multiple channels application, 32 channels output, and Max. 3A current per channel, up to 2304W output power.
- 4 kinds of mode optional: single color, color temperature, RGB, RGBW
- Support 4 kinds of DMX ports with signal isolation function: XLR-3, XLR-5, RJ45 and green terminal (with signal amplifier function).
- With RDM remote management protocol the operations can be completed via the RDM master console, such as parameters browsing & setting, DMX address setting.

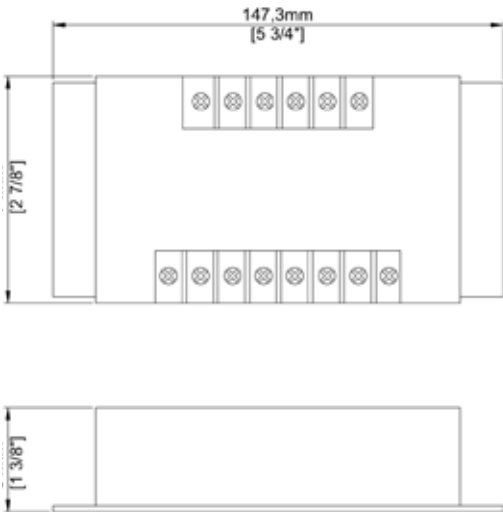
Voltage	12vDC	24vDC
Power per channel	36W	72W
Amperage per channel	3A	3A
Maximum amperage	96A	
Channel	32	
Finish	Black	
Dimmable	Yes	
Size	300mm X 122mm X 38mm 11 ³ / ₄ " x 4 ³ / ₄ " x 1 ¹ / ₂ "	
IP	20	



TT-AMP-4-32



- Amplifier four channels.
- Reproduces and amplifies an RGBW signal.
- 8A maximum each channel

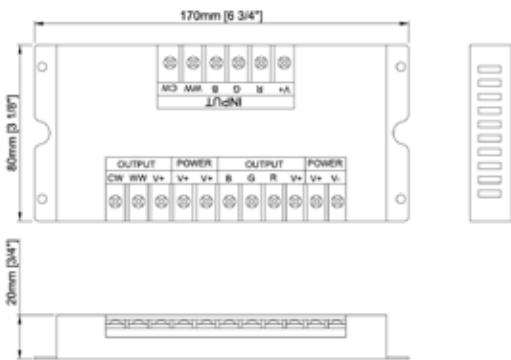


Voltage	5vDC	12vDC	24vDC
Power per channel	40w	96w	192w
Amperage per channel	8A	8A	8A
Channel	4		
Finish	Black		
Dimmable	Yes		
Size	147,3mm X 74mm X 34mm 5 ³ / ₄ " x 2 ⁷ / ₈ " x 1 ³ / ₈ "		
IP	20		



- Amplifier five channels.
- Reproduces and amplifies an RGB CCT signal.
- 10A maximum each channel

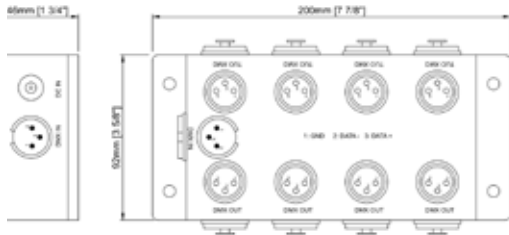
Voltage	5vDC	12vDC	24vDC
Power per channel	50w	120w	240w
Amperage per channel	10A	10A	10A
Channel	5		
Finish	Black		
Dimmable	Yes		
Size	170mm X 80mm X 20mm 6 ³ / ₄ " x 3 ¹ / ₈ " x ³ / ₄ "		
IP	20		



TT-DMX-OPTO

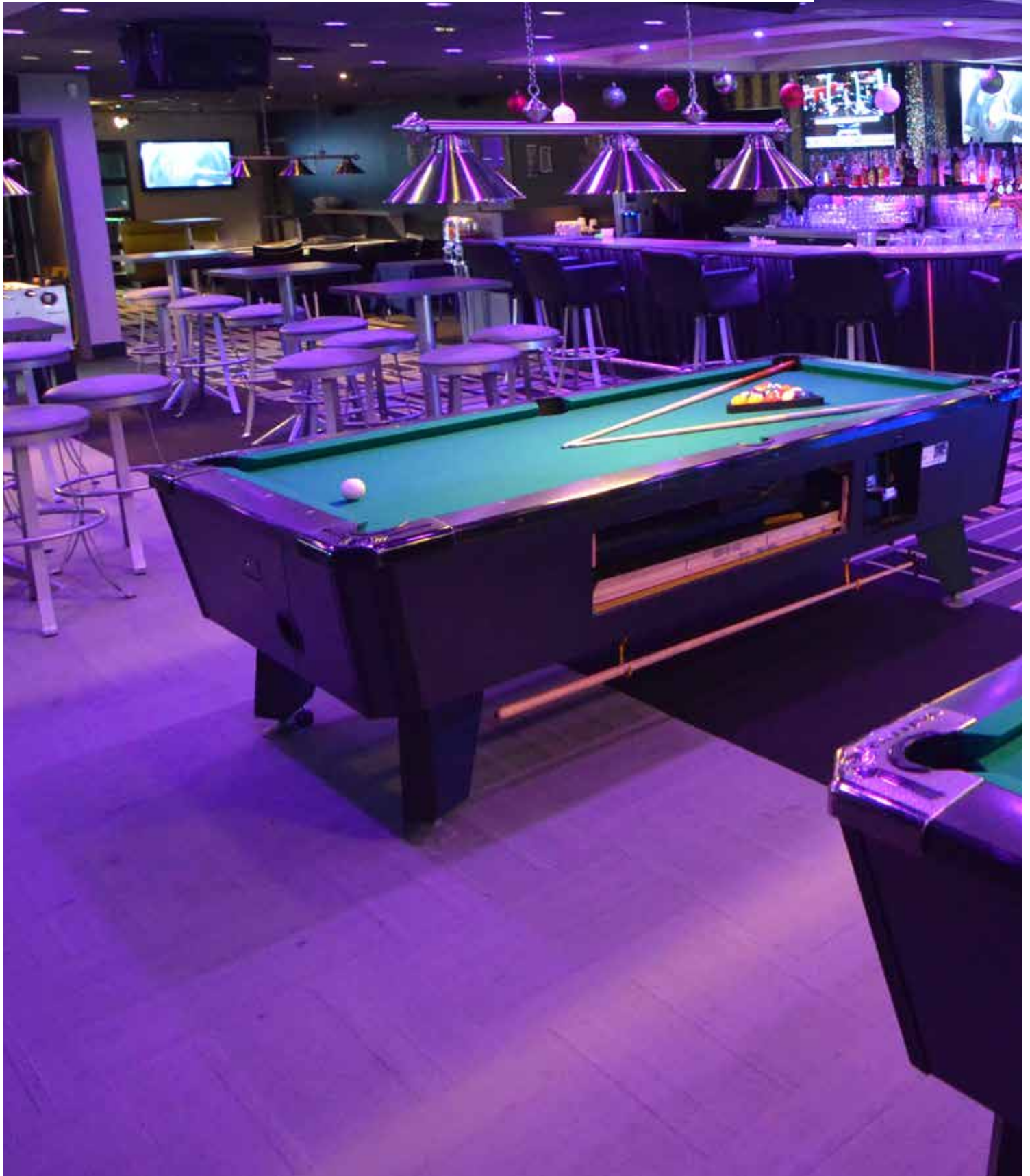


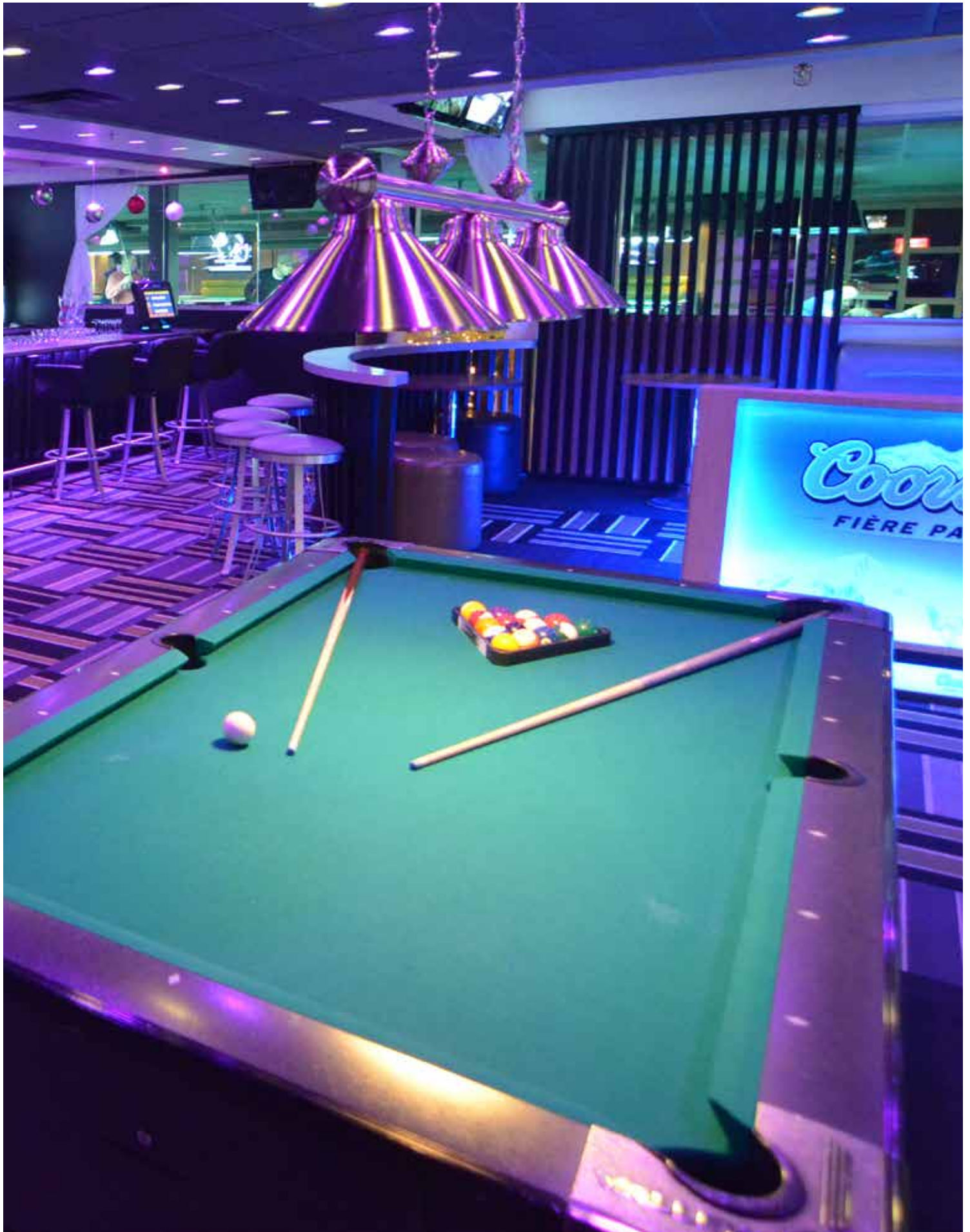
- DMX signal distribution.
- Eight amplified output.
- XLR connection with three pin.
- Power not included.

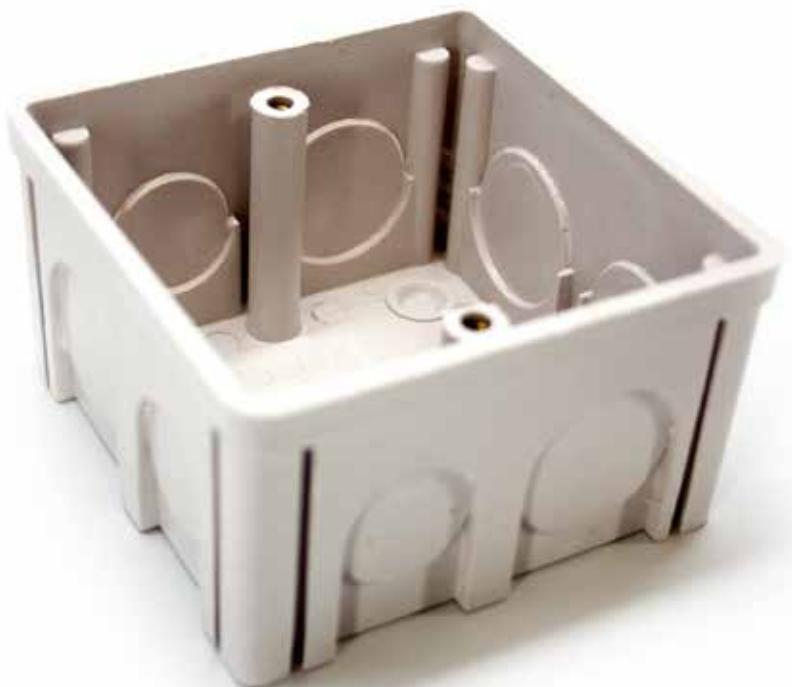


Voltage	12vDC / 24vDC
DMX output	8
Finish	White
Dimmable	No
Size	200mm X 92mm X 46mm 7 ⁷ / ₈ " x 3 ⁵ / ₈ " x 1 ³ / ₄ "
IP	20

ACCESSORIES

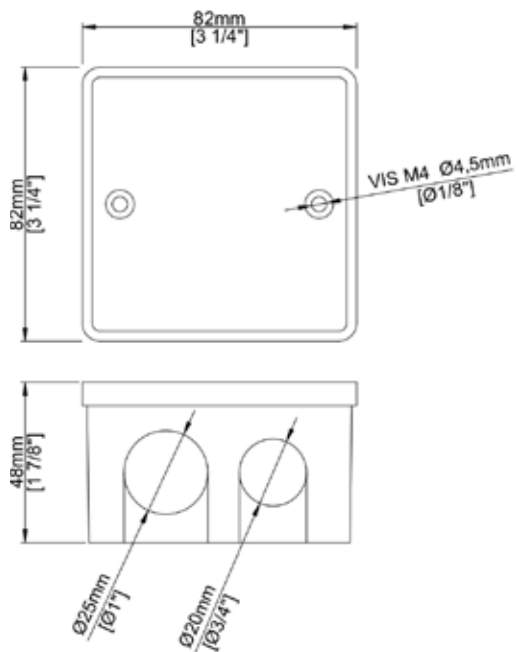






- PVC casing for controllers.
- Enables wall mounting for controllers:
TT-U-D4, TT-DX-1/4/5/8,
TT-U-E4S and TT-U-E5S.
- Requires two screws M4 x 50 format.

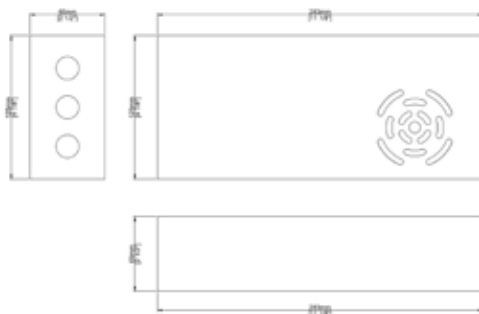
Material	Plastic
Finish	Beige
Size	82mm X 82mm X 48mm 3 ¹ / ₄ " x 3 ¹ / ₄ " x 1 ⁷ / ₈ "
Screw	2 x M4x50mm



TT-BOX-05



- Metal housing for transformer.
- Pre-punched for transformer mounting TT-PSU-IP20-025 / 050/075/100/200/350.
- Cut in the case to maximize ventilation.



Material	Steel
Finish	Black
Size	283mm X 125mm X 65mm 11 ¹ / ₈ " x 4 ⁷ / ₈ " x 2 ¹ / ₂ "
Screw	4 x M3x5mm

Accessories



TT-FIL-IEC

TT-ACC-IR-01



- Recessed IR detector.
- 12 ~ 24vDC 30w-60w.
- Output input connector 2.1mm.
- Cut hole 10mm ($\frac{3}{8}$ ").

TT-ACC-IR-02



- Surface mount IR detector.
- 12 ~ 24vDC 30w-60w.
- Output input connector 2.1mm.

TT-ACC-IR-05



- Double recessed IR detector.
- 12 ~ 24vDC 30w-60w.
- Output input connector 2.1mm.
- Cut hole 10mm ($\frac{3}{8}$ ").

TT-ACC-IR-06



- Double surface mount IR detector.
- 12 ~ 24vDC 30w-60w.
- Output input connector 2.1mm.

TT-ACC-IR-11



- Recessed IR detector.
- Fade in Fade out.
- 12 ~ 24vDC 36w-72w..
- Output input connector 2.1mm.
- Cut hole 8mm

TT-ACC-IR-12



- Surface mount IR detector.
- Fade in Fade out.
- 12 ~ 24vDC 36w-72w.
- Output input connector 2.1mm.

TT-ACC-IR-15



- Double recessed IR detector.
- 12 ~ 24vDC 36w-72w.
- Output input connector 2.1mm.
- Cut hole 8mm.

TT-ACC-IR-16



- Double surface mount IR detector.
- Fade in Fade out.
- 12 ~ 24vDC 36w-72w.
- Output input connector 2.1mm.

TT-U-13



- Touch dimmer.
- 12 ~ 24vDC 30w-60w.
- Output input connector 2.1mm.
- Cut hole 14mm (1/2")

TT-U-14



- Touch switch.
- 12 ~ 24vDC 36w-72w.
- Output input connector 2.1mm.
- Pass on the surface of wood board
- 32mm max. (1 5/16").

TT-ACC-MOV-01



- Recessed motion detector.
- 12 ~ 24vDC 30w-60w.
- Output input connector 2.1mm.
- Cut hole 16mm (5/8").

TT-ACC-CONNECT-SPLIT1X2



- Connecting one to two 2.1mm connectors AWG16

TT-ACC-CONNECT-SPLIT1X3



- Connecting one to three 2.1mm connectors AWG16

TT-ACC-CONNECT-SPLIT1X4



- Connecting one to four 2.1mm connectors AWG16

TT-ACC-CONNECT-SPLIT1X8



- Connecting one to eight 2.1mm connectors AWG16

TT-ACC-CONNECT-2.1-M



- Connect the terminal to 2.1mm male.

TT-ACC-CONNECT-2.1-F



- Connect the terminal to 2.1mm female.

TT-ACC-CONNECT-2.1-1M



- 1 meter cable with 2.1mm connect.. AWG16

TT-ACC-CONNECT-2.1-M2



- Cable section to male 2.1mm connector.

TT-ACC-CONNECT-2.1-F2



- Cable section to female 2.1mm connector.

ANNEXE



Credit photo: Godomo

LIMITED ONE (1) YEAR WARRANTY



Titanium Technology offers this limited warranty for one (1) year from the date of purchase of this Titanium Technology product (hereafter : the «Product»). A list of all the Titanium Technology products covered by this limited warranty is given at the end of this document.

This limited warranty is valid only for the Product and it may not be transferred.

The present limited warranty is not meant to exclude, restrict, limit or modify the legal warranty given by law to the purchaser of the Product.

This is a quality Product. It was made and selected with care. If the Product contains a manufacturing defect or if one or more parts of the Product is defective, the retailer commits to replace or repair, at its sole discretion, the defective part of parts without charge under the following cumulative conditions : 1) the purchaser must contact the retail store where the Product was purchased; 2) the purchaser must return the defective part of parts or the Product to the retailer; 3) the purchaser must provide the retailer the invoice as proof of purchase and date of purchase of the Product; 4) the purchaser must supply the Product identification information, including the serial number or the model number; and 5) the period of one (1) year covered by this limited warranty must not be expired. If the retailer decides to replace the defective part or parts, the replacement part or parts would be new or reconditioned, equivalent to new parts.

EXCLUSIONS AND LIMITATIONS OF THE LIMITED WARRANTY

This limited warranty is not applicable :

1. to consumable parts;
2. to normal wear;
3. when the Product is used for purposes other than those determined by the manufacturer;
4. when the Product is not installed by a qualified electrician when electrical work is required;
5. when the serial number or other identification information or the Product is erased or withdrawn;
6. to damages that are only aesthetic and do not affect the normal use of the Product, including scatches, bumps etc.;
7. to labour costs such as installation, de-installation or shipping of the Product which must be paid by the purchaser;
8. to service call costs, when the service call is made while the warranty is not valid;
9. when the damages, defects, faults or other problems arise from :
 - a. an abnormal use of the Product;
 - b. an inadequate maintenance of the Product;
 - c. a faulty installation of the Product or an installation that is not in accordance with the installation guide (if one is provided);
 - d. a modification, a repair or dismantling of the Product by a person not authorized by the retailer or the manufacturer;
 - e. the transportation by the purchaser, his employee, officer or representative;
 - f. a negligence by the purchaser, his employee, officer or representative;
 - g. an accident;
 - h. a case of force majeure (are considered force majeure : nature disasters, lightning, flood, fire etc.);
 - i. any event that is not caused by the Product itself.

In no circumstance can the manufacturer or retailer be held responsible for any extraordinary, special, indirect, accessory or consecutive damages resulting from the use of or the incapacity to use the Product. Their responsibility is limited to the sale price of the Product as indicated on the notice and paid by the purchaser at the time of purchase. It is understood that this is not meant to limit, restrict or exclude the protection given by the legal warranty.

FRENCH VERSION VS ENGLISH VERSION

In case of discrepancy between the French and the English versions of the text of this limited warranty, the French version shall prevail.

MODIFICATIONS

The present warranty text is subject to change at any time.

List of Titanium Technology products covered under this limited warranty :

- | | | |
|--------------------------|--------------|--------------------------|
| 1) Nicolaudie Controller | 4) TT-AMP-XX | 7) TT-PSU-IP20 / PLUG-IN |
| 2) LTECH Controller | 5) TT-CAB-XX | 8) TT-U-XX |
| 3) TT-ACC-XX | 6) TT-DMX-XX | 9) TT-WiFi |

Note : This product list may not be up to date. Please refer to the product itself (including the package or installation guide) to make sure it is covered by this limited warranty.

LIMITED TWO (2) YEARS WARRANTY

Titanium Technology offers this limited warranty for two (2) years from the date of purchase of this Titanium Technology product (hereafter : the «Product»). A list of all the Titanium Technology products covered by this limited warranty is given at the end of this document.



This limited warranty is valid only for the Product and it may not be transferred.

The present limited warranty is not meant to exclude, restrict, limit or modify the legal warranty given by law to the purchaser of the Product.

This is a quality Product. It was made and selected with care. If the Product contains a manufacturing defect or if one or more parts of the Product is defective, the retailer commits to replace or repair, at its sole discretion, the defective part of parts without charge under the following cumulative conditions : 1) the purchaser must contact the retail store where the Product was purchased; 2) the purchaser must return the defective part of parts or the Product to the retailer; 3) the purchaser must provide the retailer the invoice as proof of purchase and date of purchase of the Product; 4) the purchaser must supply the Product identification information, including the serial number or the model number; and 5) the period of two (2) years covered by this limited warranty must not be expired. If the retailer decides to replace the defective part or parts, the replacement part or parts would be new or reconditioned, equivalent to new parts.

EXCLUSIONS AND LIMITATIONS OF THE LIMITED WARRANTY

This limited warranty is not applicable :

1. to consumable parts;
2. to normal wear;
3. when the Product is used for purposes other than those determined by the manufacturer;
4. when the Product is not installed by a qualified electrician when electrical work is required;
5. when the serial number or other identification information or the Product is erased or withdrawn;
6. to damages that are only aesthetic and do not affect the normal use of the Product, including scatches, bumps etc.;
7. to labour costs such as installation, de-installation or shipping of the Product which must be paid by the purchaser;
8. to service call costs, when the service call is made while the warranty is not valid;
9. when the damages, defects, faults or other problems arise from :
 - a. an abnormal use of the Product;
 - b. an inadequate maintenance of the Product;
 - c. a faulty installation of the Product or an installation that is not in accordance with the installation guide (if one is provided);
 - d. a modification, a repair or dismantling of the Product by a person not authorized by the retailer or the manufacturer;
 - e. the transportation by the purchaser, his employee, officer or representative;
 - f. a negligence by the purchaser, his employee, officer or representative;
 - g. an accident;
 - h. a case of force majeure (are considered force majeure : nature disasters, lightning, flood, fire etc.);
 - i. any event that is not caused by the Product itself.

In no circumstance can the manufacturer or retailer be held responsible for any extraordinary, special, indirect, accessory or consecutive damages resulting from the use of or the incapacity to use the Product. Their responsibility is limited to the sale price of the Product as indicated on the notice and paid by the purchaser at the time of purchase. It is understood that this is not meant to limit, restrict or exclude the protection given by the legal warranty.

FRENCH VERSION VS ENGLISH VERSION

In case of discrepancy between the French and the English versions of the text of this limited warranty, the French version shall prevail.

MODIFICATIONS

The present warranty text is subject to change at any time.

List of Titanium Technology products covered under this limited warranty :

- | | | |
|------------------------------|--------------|-------------|
| 1) TT-LUS-XX | 3) TT-TRK-XX | 5)TT-UGD-XX |
| 2) TT-PSU-IP67-XX (MEANWELL) | 4)TT-STEP-XX | |

Note : This product list may not be up to date. Please refer to the product itself (including the package or installation guide) to make sure it is covered by this limited warranty.

LIMITED THREE (3) YEARS WARRANTY



Titanium Technology offers this limited warranty for three (3) years from the date of purchase of this Titanium Technology product (hereafter : the «Product»). A list of all the Titanium Technology products covered by this limited warranty is given at the end of this document.

This limited warranty is valid only for the Product and it may not be transferred.

The present limited warranty is not meant to exclude, restrict, limit or modify the legal warranty given by law to the purchaser of the Product.

This is a quality Product. It was made and selected with care. If the Product contains a manufacturing defect or if one or more parts of the Product is defective, the retailer commits to replace or repair, at its sole discretion, the defective part of parts without charge under the following cumulative conditions : 1) the purchaser must contact the retail store where the Product was purchased; 2) the purchaser must return the defective part of parts or the Product to the retailer; 3) the purchaser must provide the retailer the invoice as proof of purchase and date of purchase of the Product; 4) the purchaser must supply the Product identification information, including the serial number or the model number; and 5) the period of three (3) years covered by this limited warranty must not be expired. If the retailer decides to replace the defective part or parts, the replacement part or parts would be new or reconditioned, equivalent to new parts.

EXCLUSIONS AND LIMITATIONS OF THE LIMITED WARRANTY

This limited warranty is not applicable :

1. to consumable parts;
2. to normal wear;
3. when the Product is used for purposes other than those determined by the manufacturer;
4. when the Product is not installed by a qualified electrician when electrical work is required;
5. when the serial number or other identification information or the Product is erased or withdrawn;
6. to damages that are only aesthetic and do not affect the normal use of the Product, including scatches, bumps etc.;
7. to labour costs such as installation, de-installation or shipping of the Product which must be paid by the purchaser;
8. to service call costs, when the service call is made while the warranty is not valid;
9. when the damages, defects, faults or other problems arise from :
 - a. an abnormal use of the Product;
 - b. an inadequate maintenance of the Product;
 - c. a faulty installation of the Product or an installation that is not in accordance with the installation guide (if one is provided);
 - d. a modification, a repair or dismantling of the Product by a person not authorized by the retailer or the manufacturer;
 - e. the transportation by the purchaser, his employee, officer or representative;
 - f. a negligence by the purchaser, his employee, officer or representative;
 - g. an accident;
 - h. a case of force majeure (are considered force majeure : nature disasters, lightning, flood, fire etc.);
 - i. any event that is not caused by the Product itself.

In no circumstance can the manufacturer or retailer be held responsible for any extraordinary, special, indirect, accessory or consecutive damages resulting from the use of or the incapacity to use the Product. Their responsibility is limited to the sale price of the Product as indicated on the notice and paid by the purchaser at the time of purchase. It is understood that this is not meant to limit, restrict or exclude the protection given by the legal warranty.

FRENCH VERSION VS ENGLISH VERSION

In case of discrepancy between the French and the English versions of the text of this limited warranty, the French version shall prevail.

MODIFICATIONS

The present warranty text is subject to change at any time.

List of Titanium Technology products covered under this limited warranty :

- | | | |
|-----------------|-------------------|-------------------------------|
| 1) TT-2216-XX * | 6) TT-5630-XX * | 11) TT-FL-XX-XX |
| 2) TT-2835-XX * | 7) TT-DOWN-007-XX | 12) TT-PSU-IP20-XX (MEANWELL) |
| 3) TT-335-XX * | 8) TT-DOWN-008-XX | 13) TT-PUCK-2.2W-XX |
| 4) TT-3528-XX * | 9) TT-DOWN-016-XX | 14) TT-PUCK-3W-XX |
| 5) TT-5050-XX * | 10) TT-DR-CV-XX | 15) TT-PUCK-400-V3 |

* LED strips are only guaranteed if they are installed in our aluminum profiles and use our transformers.

Note : This product list may not be up to date. Please refer to the product itself (including the package or installation guide) to make sure it is covered by this limited warranty.

LIMITED FIVE (5) YEARS WARRANTY



Titanium Technology offers this limited warranty for five (5) years from the date of purchase of this Titanium Technology product (hereafter : the «Product»). A list of all the Titanium Technology products covered by this limited warranty is given at the end of this document.

This limited warranty is valid only for the Product and it may not be transferred.

The present limited warranty is not meant to exclude, restrict, limit or modify the legal warranty given by law to the purchaser of the Product.

This is a quality Product. It was made and selected with care. If the Product contains a manufacturing defect or if one or more parts of the Product is defective, the retailer commits to replace or repair, at its sole discretion, the defective part of parts without charge under the following cumulative conditions : 1) the purchaser must contact the retail store where the Product was purchased; 2) the purchaser must return the defective part of parts or the Product to the retailer; 3) the purchaser must provide the retailer the invoice as proof of purchase and date of purchase of the Product; 4) the purchaser must supply the Product identification information, including the serial number or the model number; and 5) the period of five (5) years covered by this limited warranty must not be expired. If the retailer decides to replace the defective part or parts, the replacement part or parts would be new or reconditioned, equivalent to new parts.

EXCLUSIONS AND LIMITATIONS OF THE LIMITED WARRANTY

This limited warranty is not applicable :

1. to consumable parts;
2. to normal wear;
3. when the Product is used for purposes other than those determined by the manufacturer;
4. when the Product is not installed by a qualified electrician when electrical work is required;
5. when the serial number or other identification information or the Product is erased or withdrawn;
6. to damages that are only aesthetic and do not affect the normal use of the Product, including scatches, bumps etc.;
7. to labour costs such as installation, de-installation or shipping of the Product which must be paid by the purchaser;
8. to service call costs, when the service call is made while the warranty is not valid;
9. when the damages, defects, faults or other problems arise from :
 - a. an abnormal use of the Product;
 - b. an inadequate maintenance of the Product;
 - c. a faulty installation of the Product or an installation that is not in accordance with the installation guide (if one is provided);
 - d. a modification, a repair or dismantling of the Product by a person not authorized by the retailer or the manufacturer;
 - e. the transportation by the purchaser, his employee, officer or representative;
 - f. a negligence by the purchaser, his employee, officer or representative;
 - g. an accident;
 - h. a case of force majeure (are considered force majeure : nature disasters, lightning, flood, fire etc.);
 - i. any event that is not caused by the Product itself.

In no circumstance can the manufacturer or retailer be held responsible for any extraordinary, special, indirect, accessory or consecutive damages resulting from the use of or the incapacity to use the Product. Their responsibility is limited to the sale price of the Product as indicated on the notice and paid by the purchaser at the time of purchase. It is understood that this is not meant to limit, restrict or exclude the protection given by the legal warranty.

FRENCH VERSION VS ENGLISH VERSION

In case of discrepancy between the French and the English versions of the text of this limited warranty, the French version shall prevail.

MODIFICATIONS

The present warranty text is subject to change at any time.

List of Titanium Technology products covered under this limited warranty :

- 1) TT-P120D-XX

Note : This product list may not be up to date. Please refer to the product itself (including the package or installation guide) to make sure it is covered by this limited warranty.



TITANIUM TECHNOLOGY

2323, boulevard Versant Nord #111

Québec, QC

G1N 4P4 CANADA

(866) 476-8115

www.titaniumtechnology.com

sale@titaniumtechnology.com

www.facebook.com/titaniumtechnologie